



US00D442138S

(12) **United States Design Patent**
Schroeder

(10) **Patent No.: US D442,138 S**

(45) **Date of Patent: ** May 15, 2001**

(54) **BOTTOM SECTION OF A TRUCK BED CAP**

(75) **Inventor: Hartmut W. Schroeder, Rosmoor, CA (US)**

(73) **Assignee: Custom Fibreglass Manufacturing Company, Long Beach, CA (US)**

(**) **Term: 14 Years**

(21) **Appl. No.: 29/123,488**

(22) **Filed: May 18, 2000**

Related U.S. Application Data

(62) **Division of application No. 29/077,268, filed on Oct. 1, 1997, now Pat. No. Des. 431,224.**

(51) **LOC (7) Cl. 12-16**

(52) **U.S. Cl. D12/401**

(58) **Field of Search D12/400, 401-404; 296/99.1, 100-105, 10, 26, 27**

(56) **References Cited**

U.S. PATENT DOCUMENTS

D. 244,182	*	5/1977	Skidmore	D12/404
D. 254,905	*	5/1980	Collins	D12/404
D. 271,757	*	12/1983	Miller	D12/404
D. 281,488	*	11/1985	Collins	D12/404
D. 298,818	*	12/1988	Silliker	D12/404
D. 317,889	*	7/1991	Gentzhorn	D12/404
D. 324,015	*	2/1992	Quiniones	D12/404
D. 325,366	*	4/1992	Mansberger	D12/404
D. 325,551	*	4/1992	Quiniones	D12/404

D. 326,441	*	5/1992	Rogers	D12/404
D. 328,049	*	7/1992	Sturtevant	D12/404
D. 328,062	*	7/1992	Burgess	D12/404
D. 329,837	*	9/1992	Rogers	D12/404
D. 379,173	*	5/1997	Quiniones	D12/404
D. 383,432	*	9/1997	Starr et al.	D12/404
D. 387,029	*	12/1997	Heinemann	D12/404
D. 388,049	*	12/1997	Reardon	D12/404
D. 403,652	*	1/1999	Starr et al.	D12/404

* cited by examiner

Primary Examiner—Stacia Cadmus

(74) *Attorney, Agent, or Firm*—Fulwider Patton Lee & Utecht, LLP

(57) **CLAIM**

The ornamental design for a bottom section of a truck bed cap, as shown and described.

DESCRIPTION

FIG. 1 is a perspective view of the bottom section of a truck bed cap showing my new design; FIG. 2 is a side plan view thereof; FIG. 3 is a front plan view thereof; FIG. 4 is a back plan view thereof; FIG. 5 is a top plan view thereof; FIG. 6 is a bottom plan view thereof; and, FIG. 7 is a cross-sectional view thereof taken along line 7—7 of FIG. 1.

The broken line showing environment is for illustrative purposes only and forms no part of the claimed design.

1 Claim, 4 Drawing Sheets

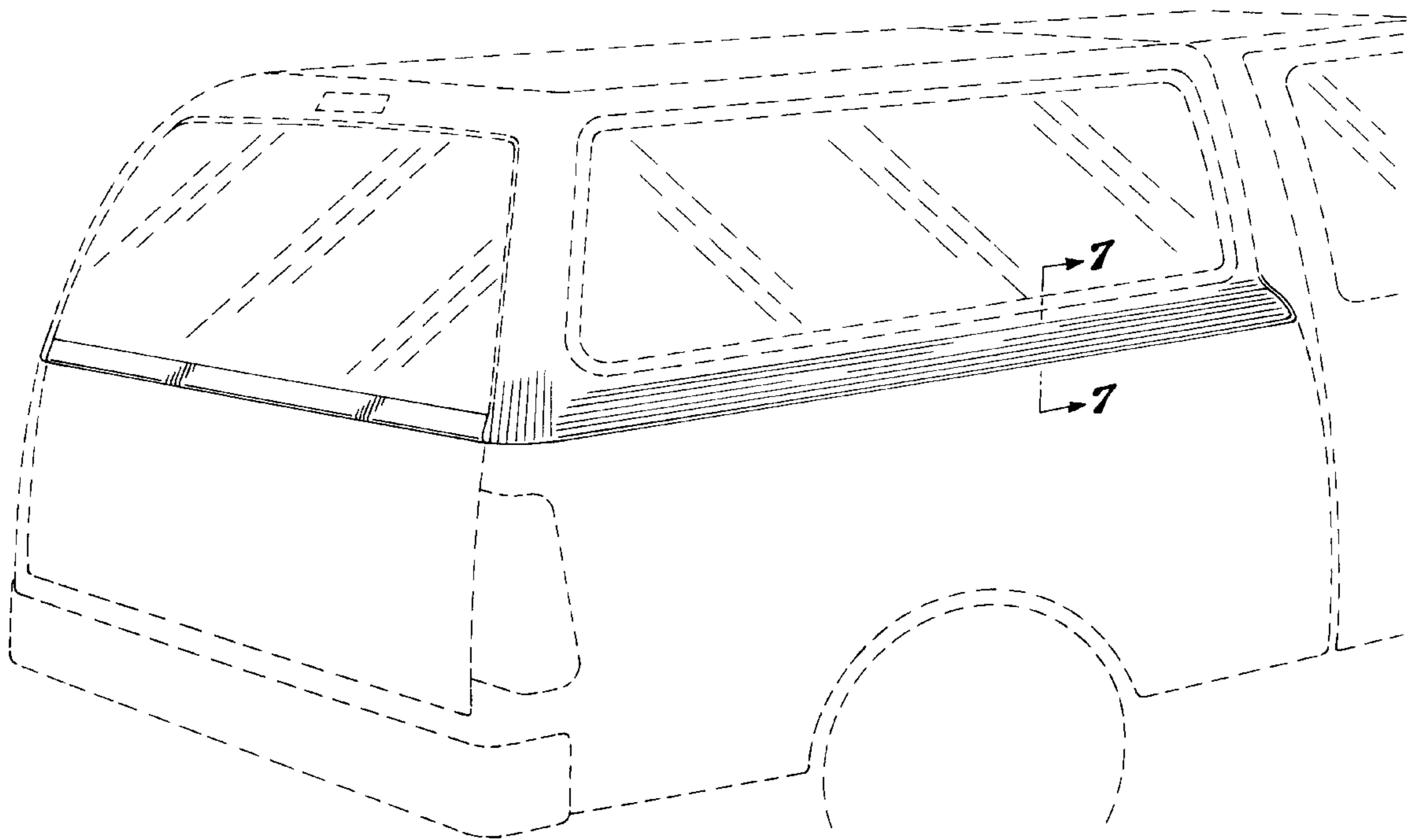


FIG. 1

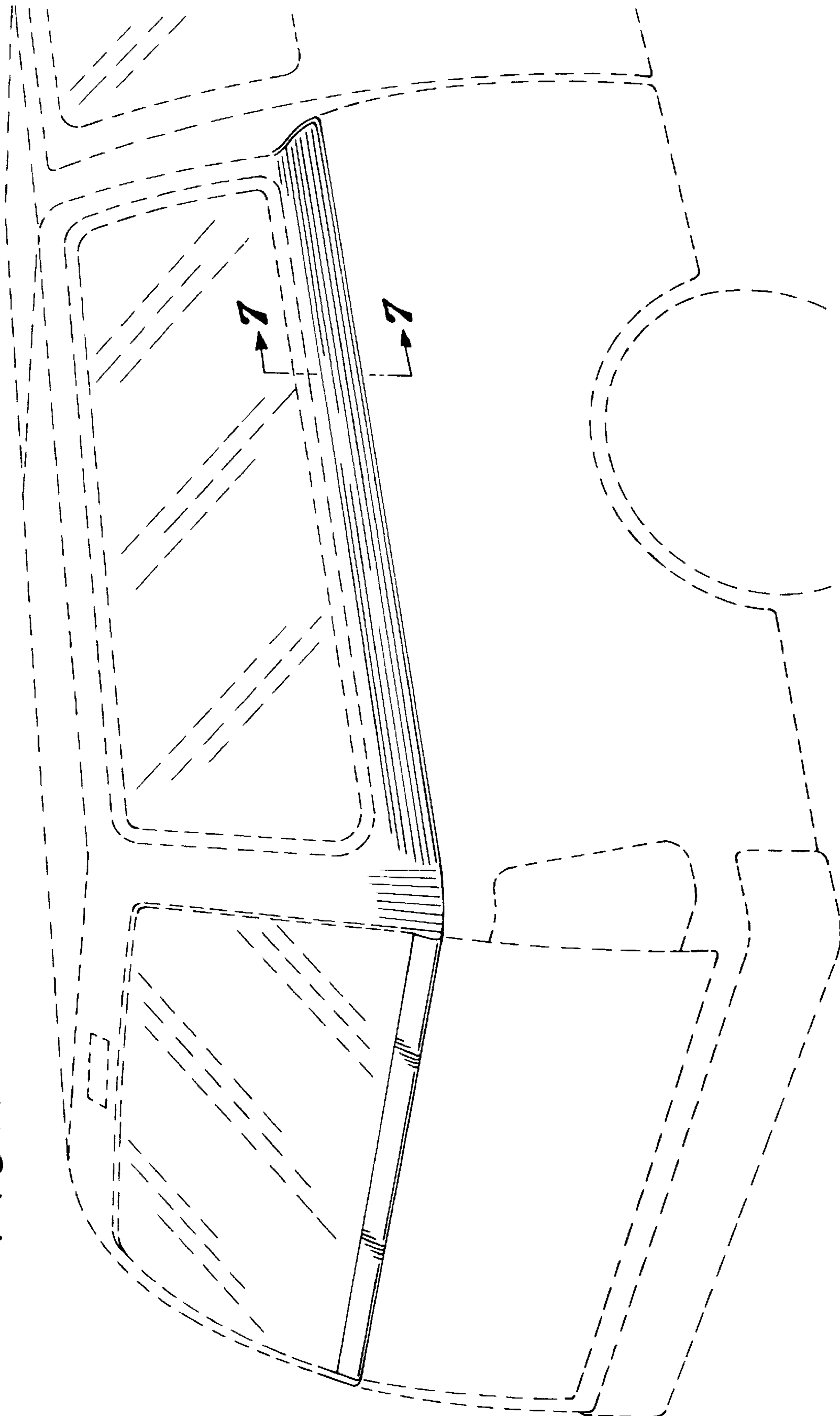


FIG. 2

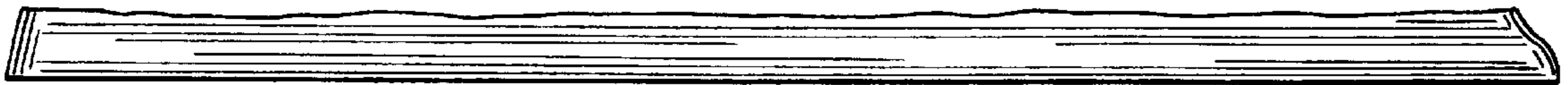


FIG. 3



FIG. 4



FIG. 5

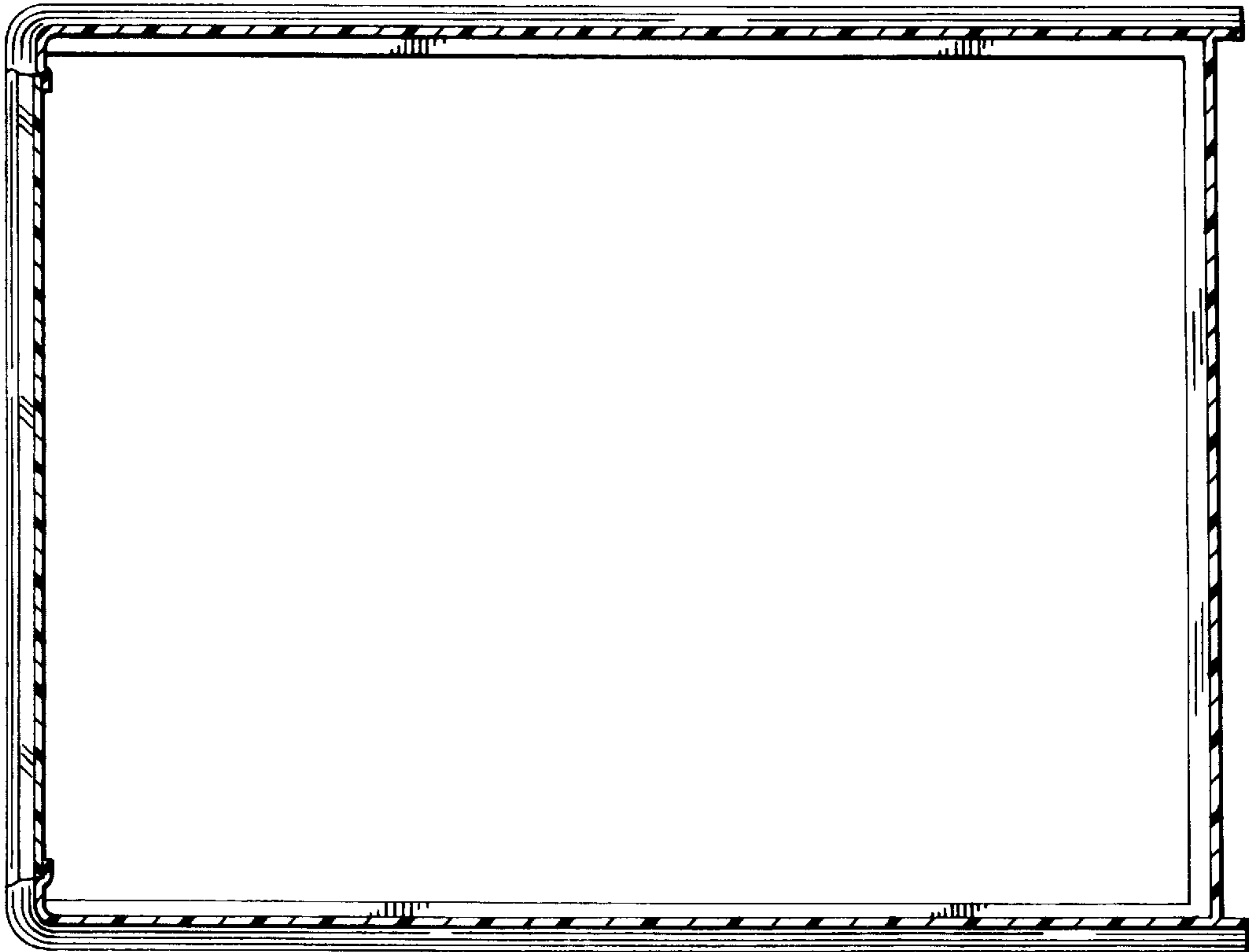
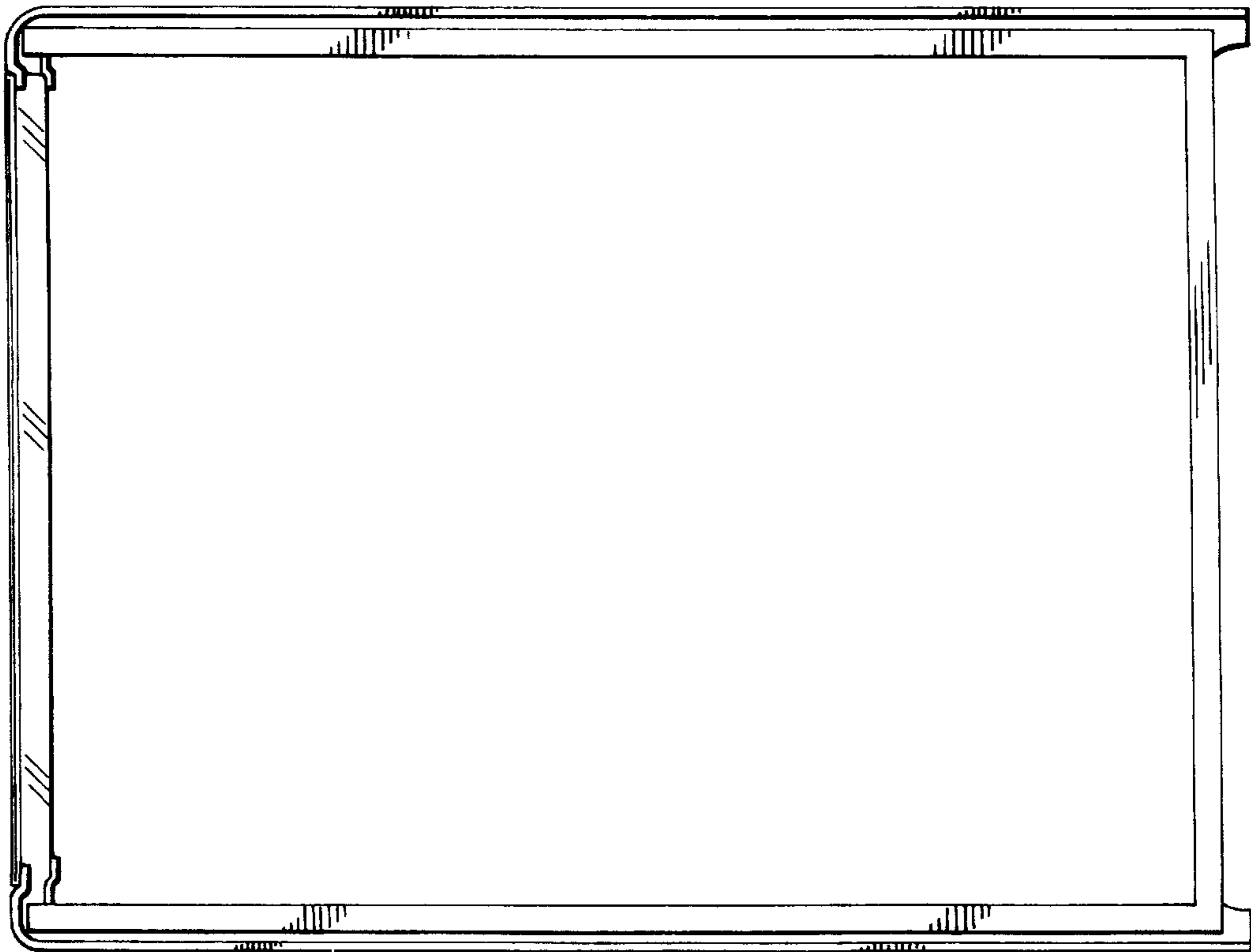


FIG. 6



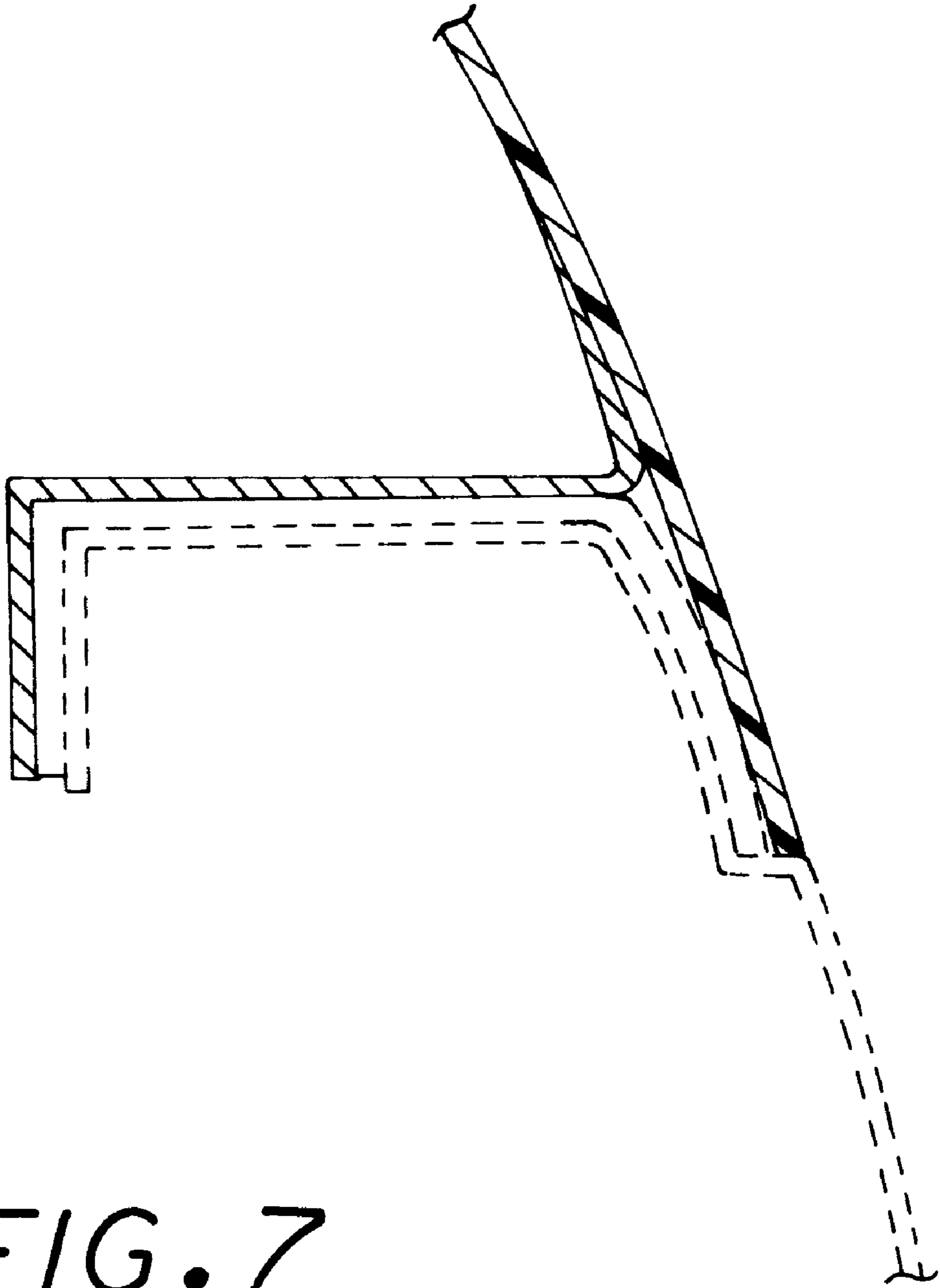


FIG. 7