



US00D442137S

(12) **United States Design Patent**  
**Coon**

(10) **Patent No.:** **US D442,137 S**

(45) **Date of Patent:** **\*\* May 15, 2001**

(54) **DOCK FLOAT**

(76) **Inventor:** **William G. Coon**, 1126 NE. 7th Ave.,  
Spickard, MO (US) 64679-8277

(\*\*) **Term:** **14 Years**

(21) **Appl. No.:** **29/097,373**

(22) **Filed:** **Nov. 27, 1998**

(51) **LOC (7) Cl.** ..... **12-06**

(52) **U.S. Cl.** ..... **D12/316**

(58) **Field of Search** ..... D12/300, 316;  
114/266, 267, 263

(56) **References Cited**

**U.S. PATENT DOCUMENTS**

|            |   |         |                      |         |
|------------|---|---------|----------------------|---------|
| D. 298,428 | * | 11/1988 | Kendle, Jr. ....     | D12/316 |
| D. 366,023 | * | 1/1996  | LeCat .....          | D12/316 |
| 4,655,156  | * | 4/1987  | Svirklys et al. .... | 114/266 |
| 4,928,617  | * | 5/1990  | Meriwether .....     | 114/267 |

\* cited by examiner

*Primary Examiner*—Kay H. Chin

(74) *Attorney, Agent, or Firm*—Joseph B. Bowman; Shook,  
Hardy & Bacon

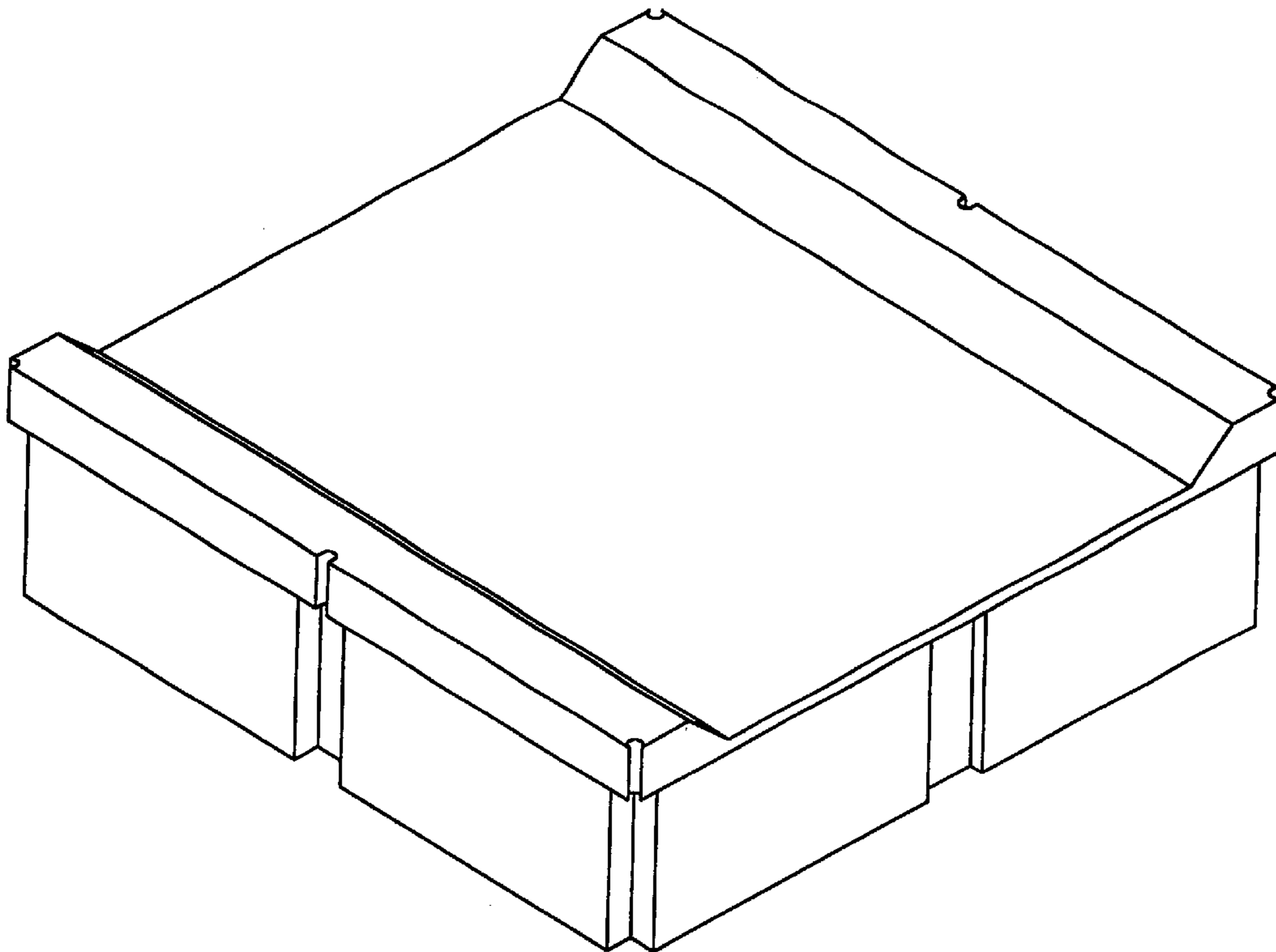
(57) **CLAIM**

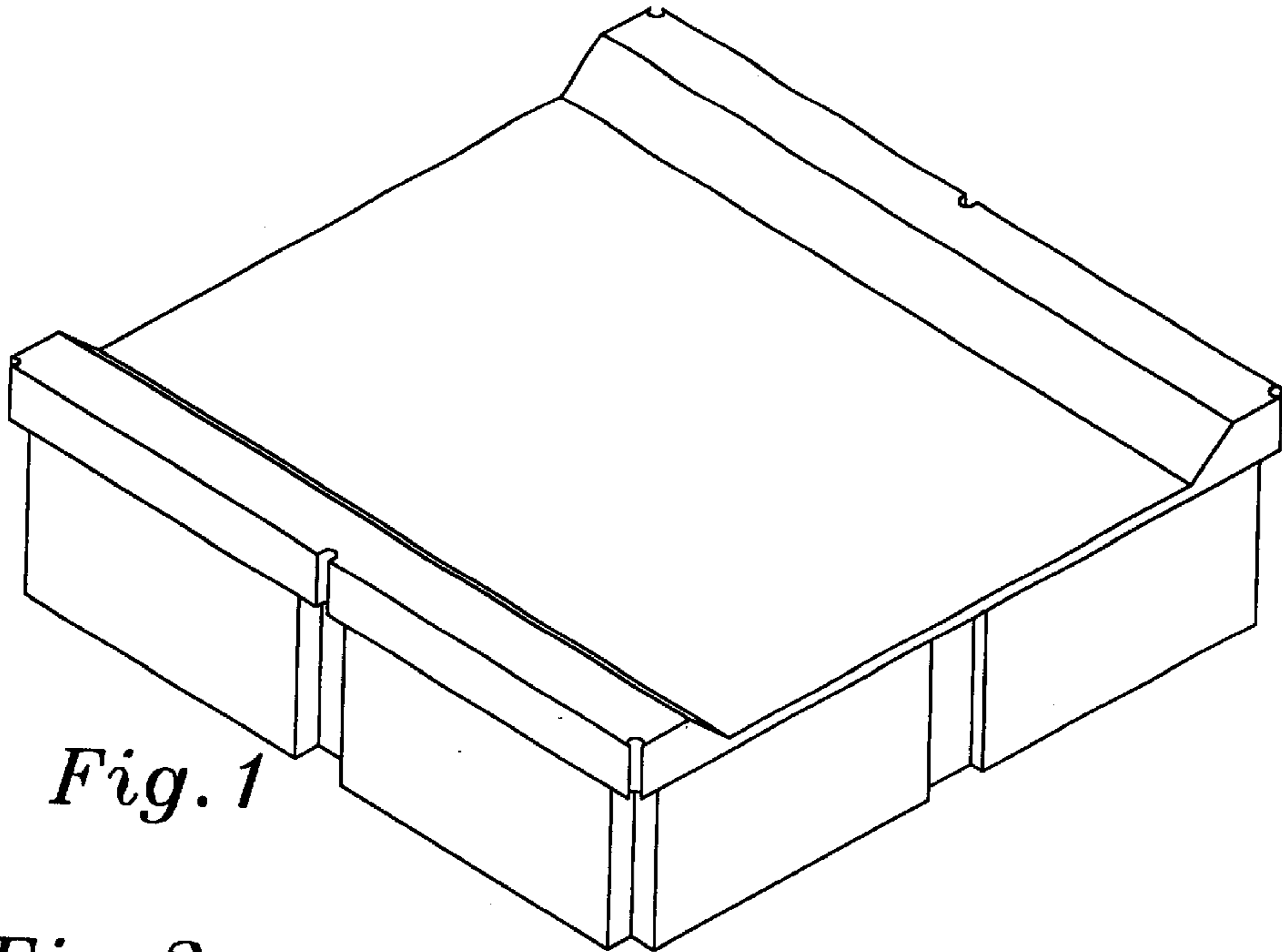
The ornamental design for a dock float, as shown and described.

**DESCRIPTION**

FIG. 1 is a perspective view of a dock float showing my new design;  
 FIG. 2 is a top plan view thereof;  
 FIG. 3 is a bottom plan view thereof;  
 FIG. 4 is a front elevational view thereof;  
 FIG. 5 is a side elevational view thereof;  
 FIG. 6 is a perspective view of a dock float showing a second embodiment;  
 FIG. 7 is a top plan view thereof;  
 FIG. 8 is a side elevational view thereof;  
 FIG. 9 is a front elevational view thereof; and,  
 FIG. 10 is a bottom plan view thereof.

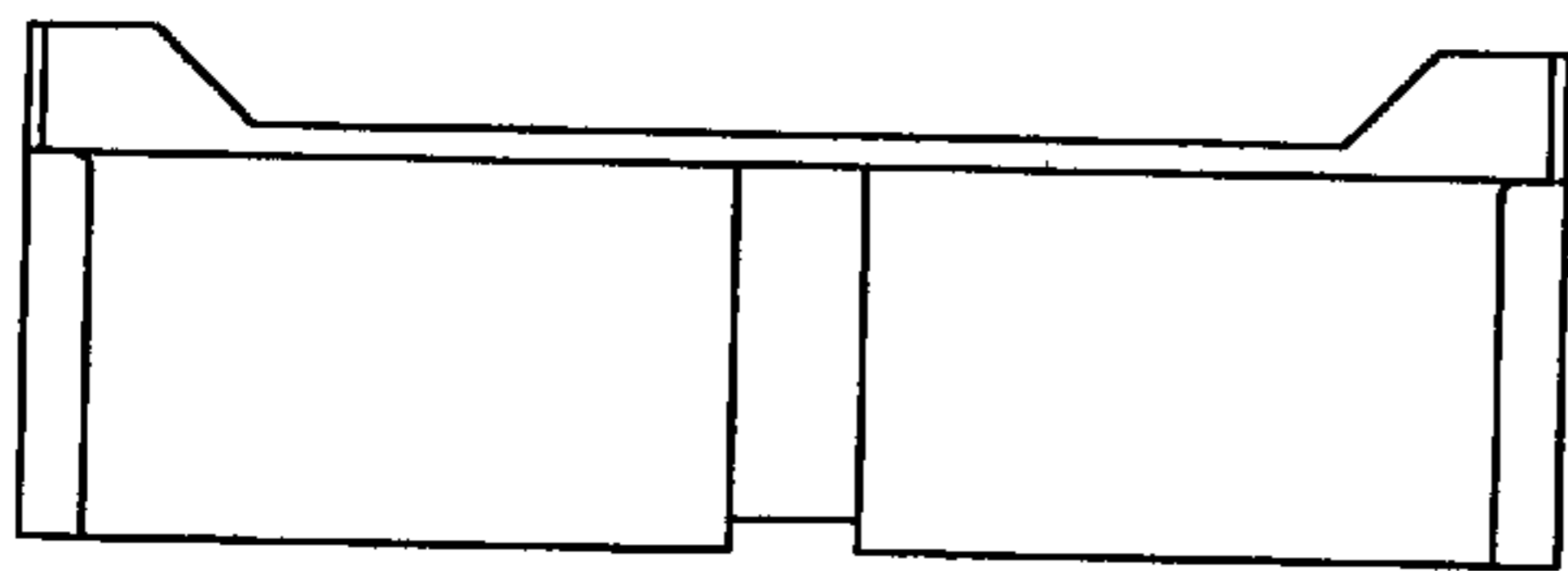
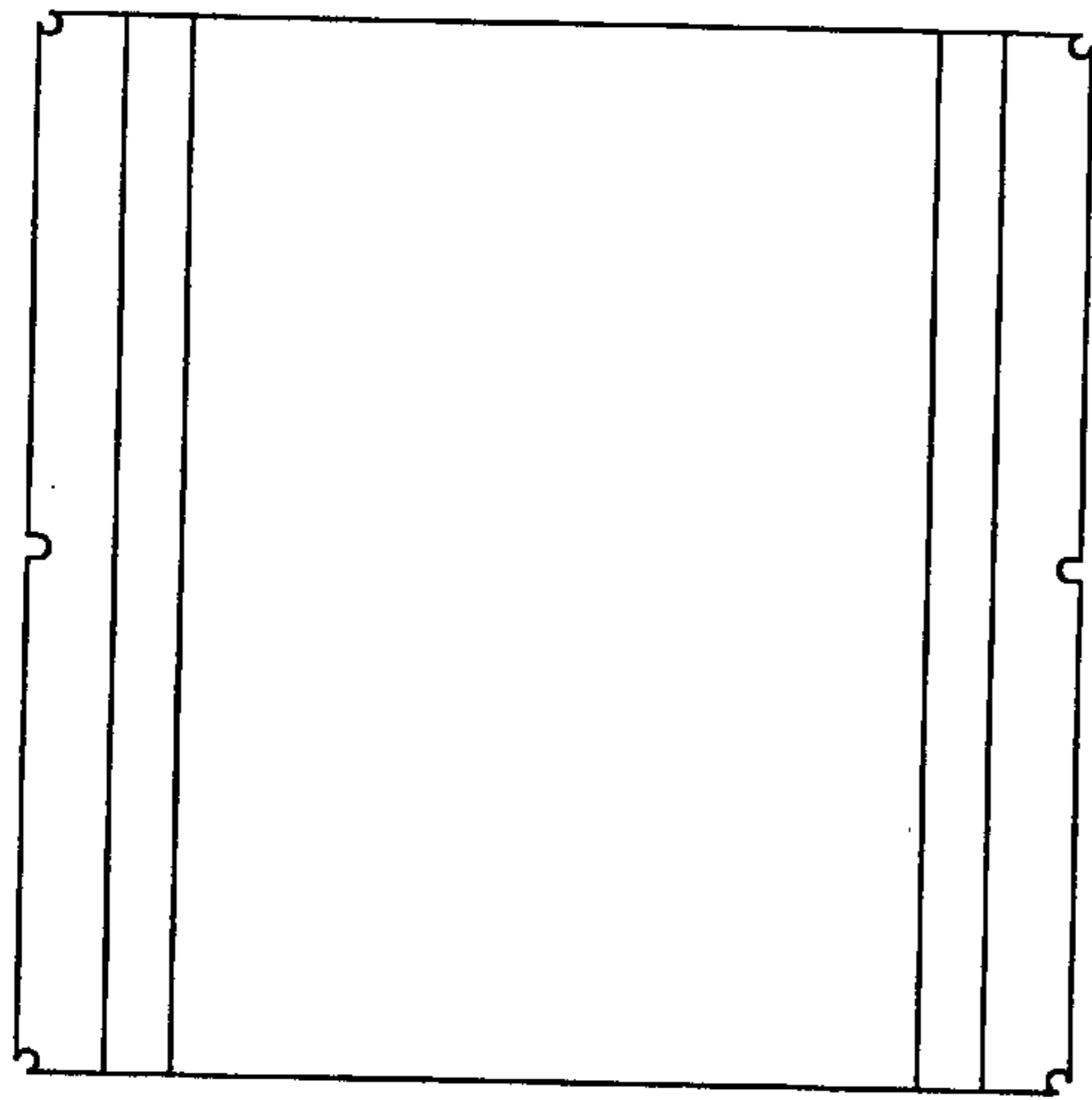
**1 Claim, 2 Drawing Sheets**





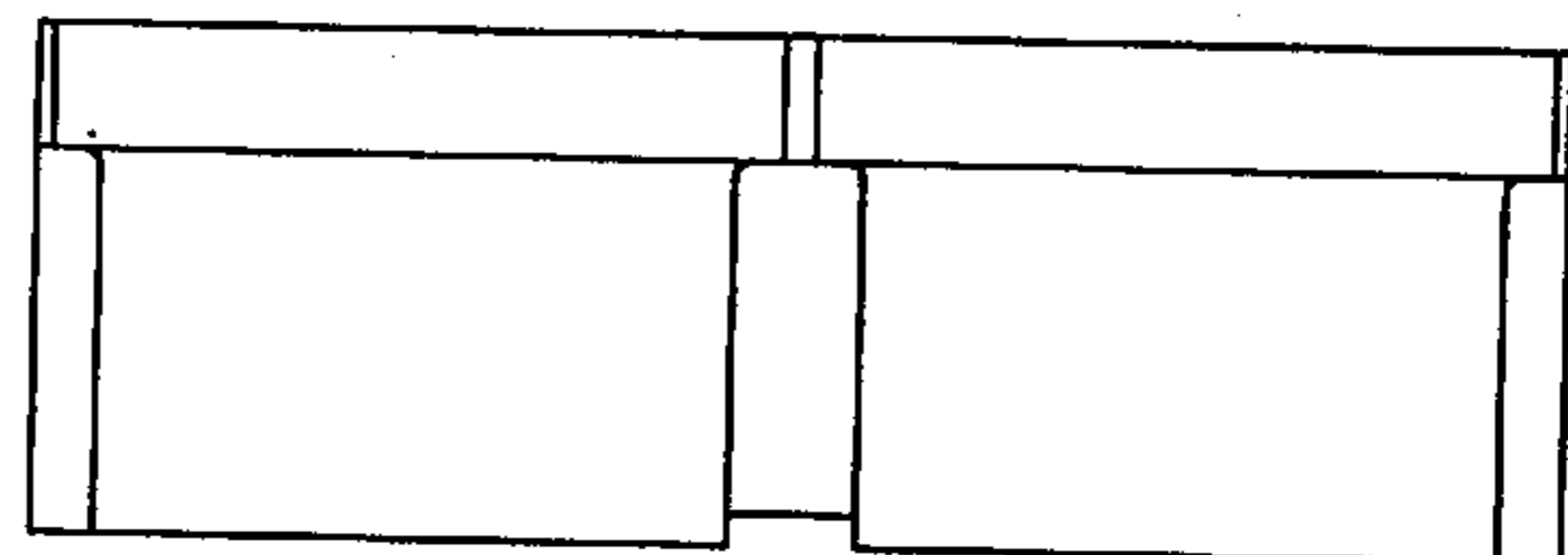
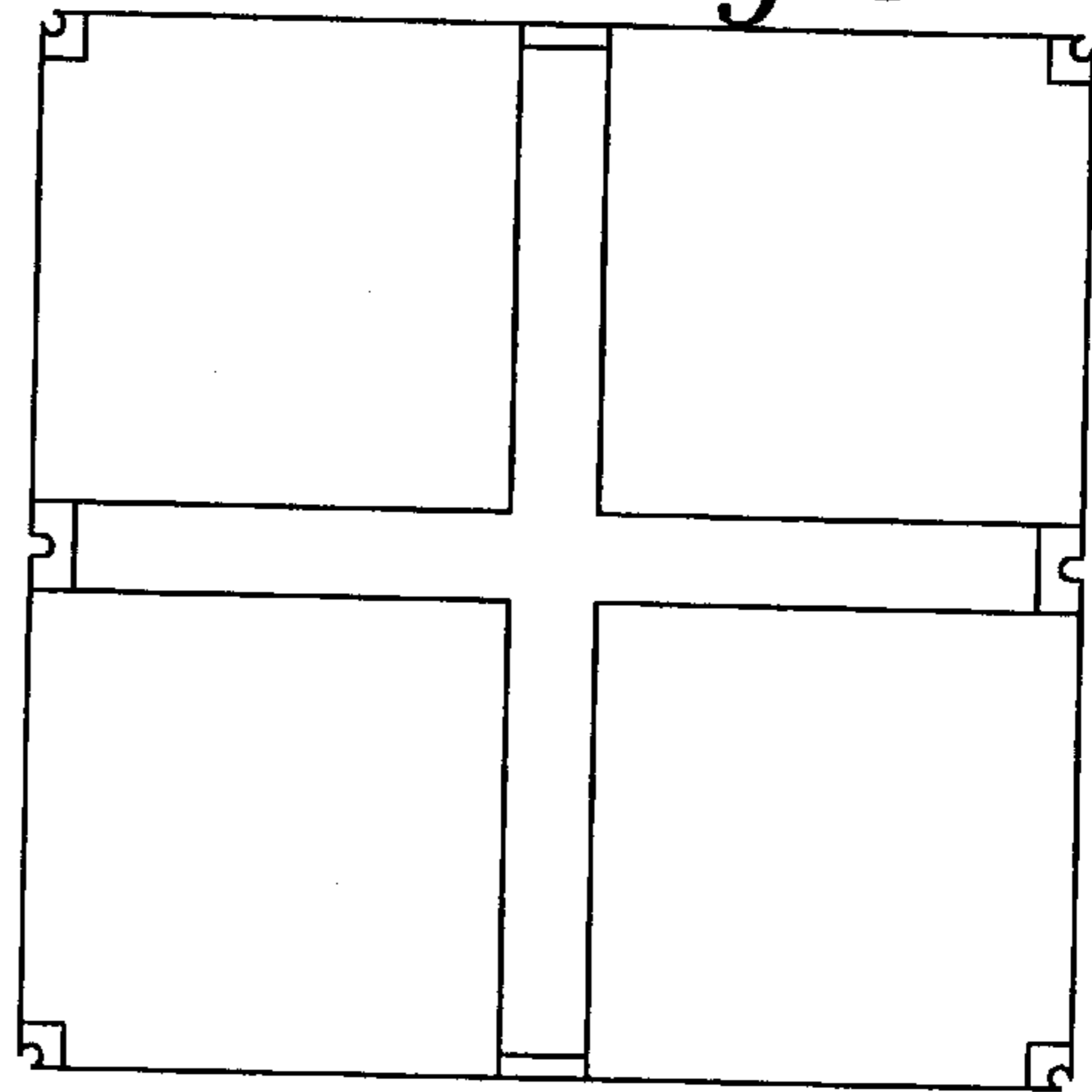
*Fig. 1*

*Fig. 2*



*Fig. 4*

*Fig. 3*



*Fig. 5*

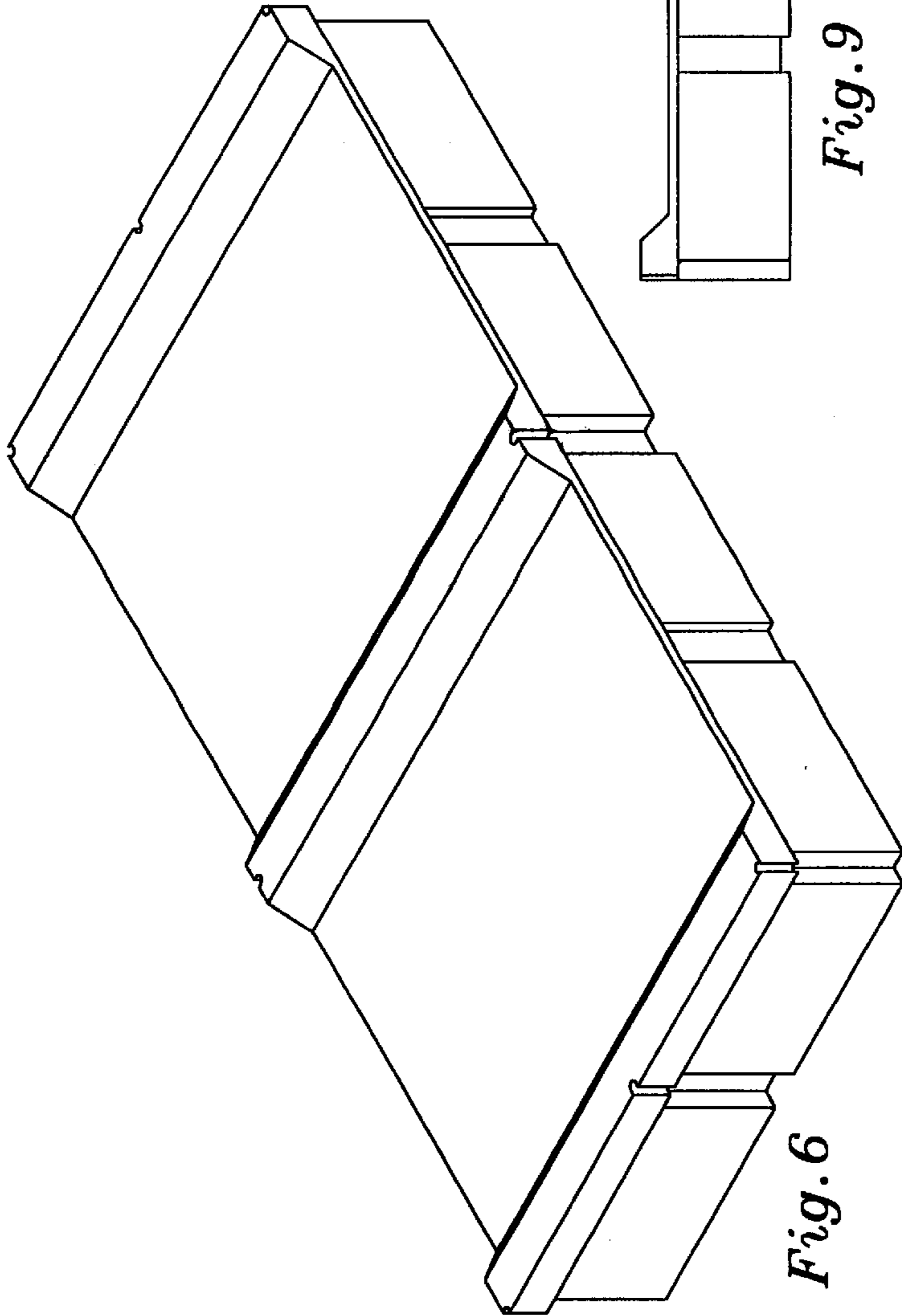


Fig. 6

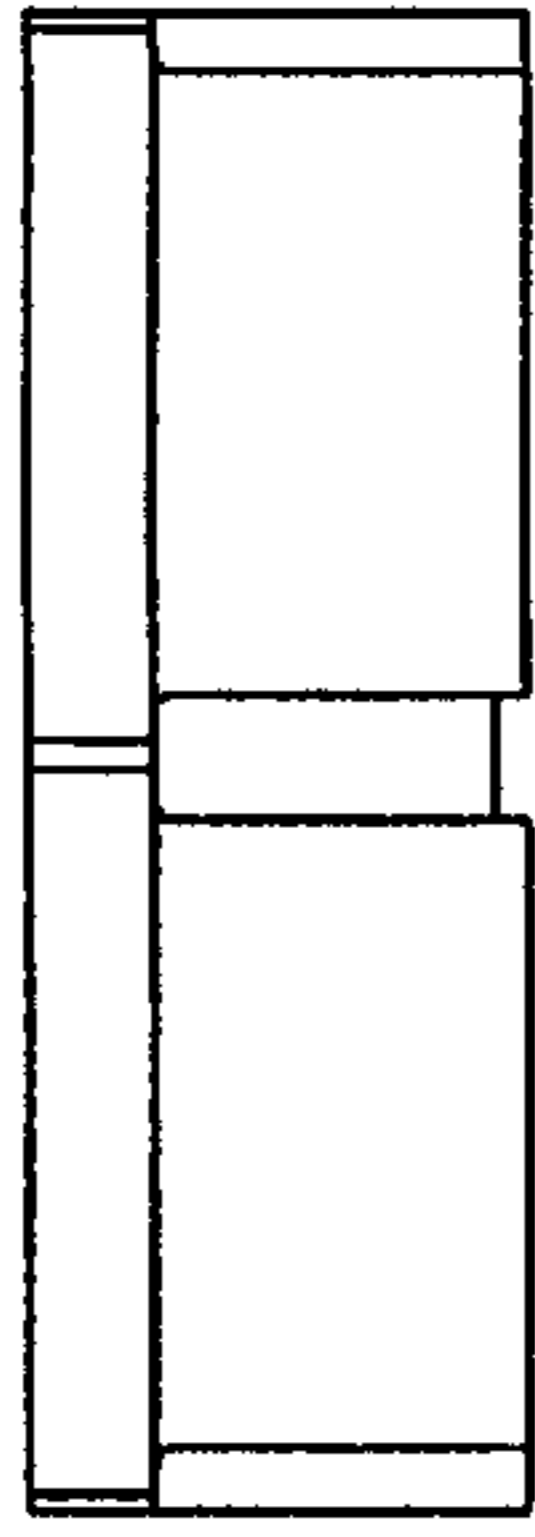


Fig. 8

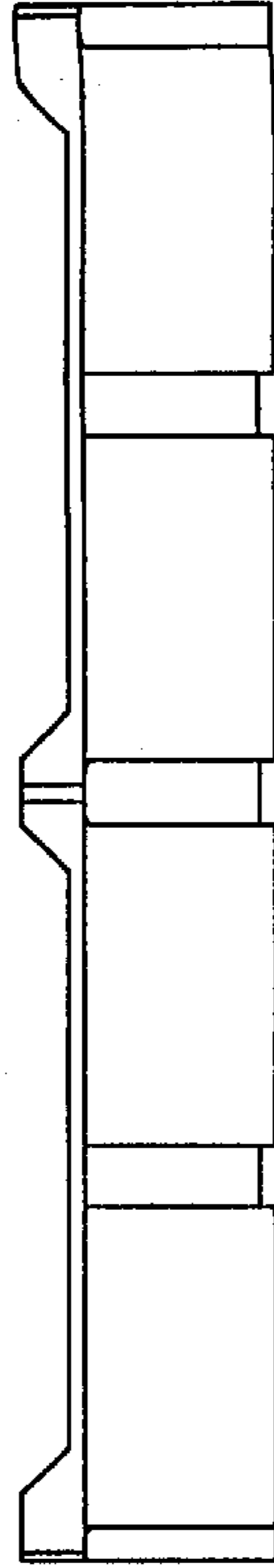


Fig. 9

Fig. 7

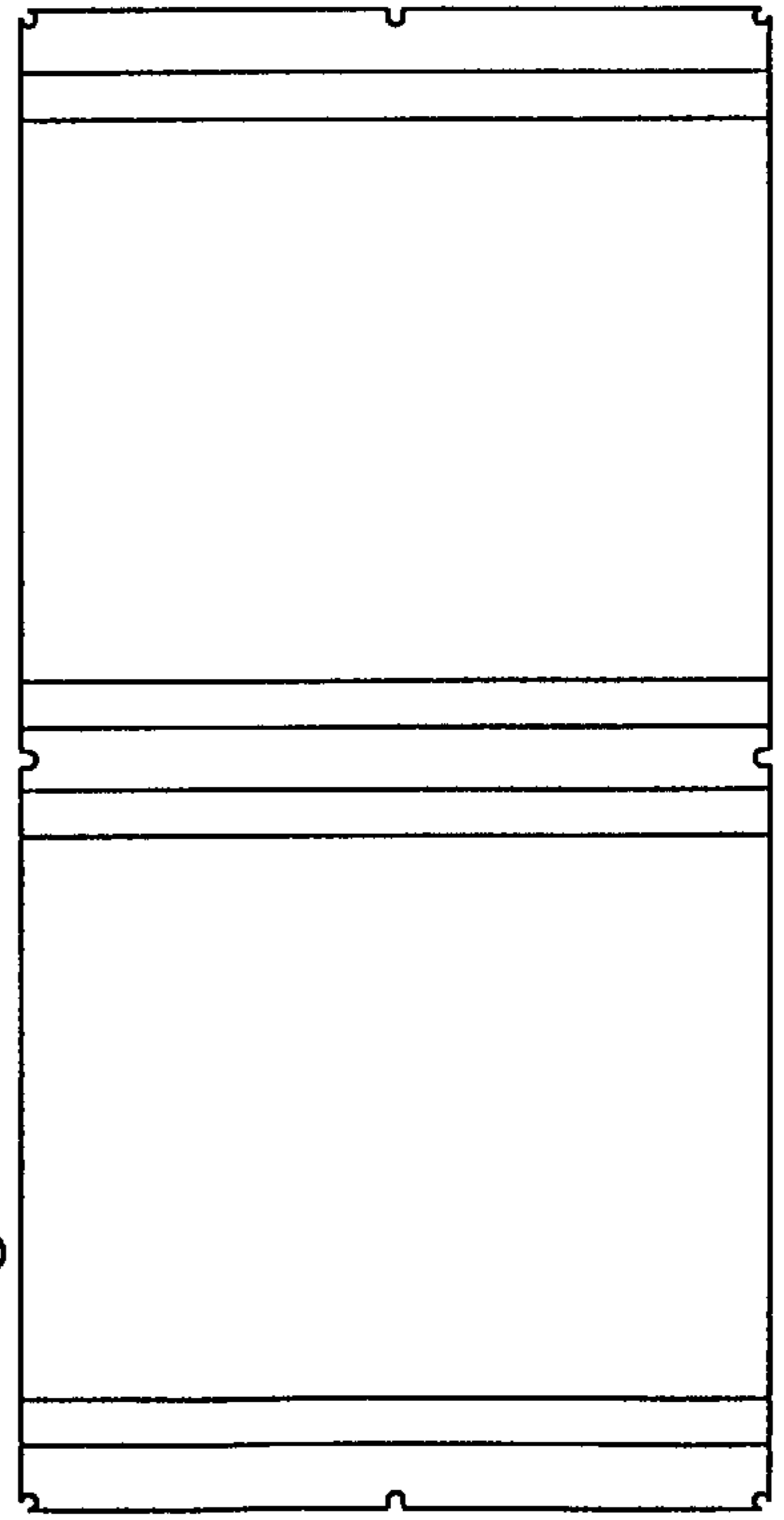


Fig. 10

