



US00D442122S

(12) **United States Design Patent**
LaBonte et al.

(10) **Patent No.:** **US D442,122 S**

(45) **Date of Patent:** **** May 15, 2001**

(54) **DUAL ACCENT ORNAMENT**

(76) Inventors: **John A. LaBonte**, 2185 23rd St., Rice Lake, WI (US) 54868; **Dennis Lee Becker**, Route 1, Haugen, WI (US) 54841

(**) Term: **14 Years**

(21) Appl. No.: **29/123,949**

(22) Filed: **May 26, 2000**

(51) **LOC (7) Cl.** **12-11**

(52) **U.S. Cl.** **D12/114**

(58) **Field of Search** D12/114, 190, D12/196, 201, 409, 410; 280/288.4, 281.1, 762, 152.1, 152.2, 158.1, 160.1; 180/219

(56) **References Cited**

U.S. PATENT DOCUMENTS

- D. 396,671 * 8/1998 Davidson et al. D12/114
- D. 403,991 * 1/1999 Davidson et al. D12/114

OTHER PUBLICATIONS

Custom Chrome, fender trim on p. 15.86, 1998.*
Genuine Harley-Davidson® Parts & Accessories catalog, oil tank cover trim rail shown in block C, 1995.*

Drag Specialties Fat Book, saddlebag top trim at lower left corner of p. 26, 1999.*

* cited by examiner

Primary Examiner—Alan P. Douglas

Assistant Examiner—Linda Brooks

(74) *Attorney, Agent, or Firm*—Gottlieb, Rackman & Reisman, P.C.

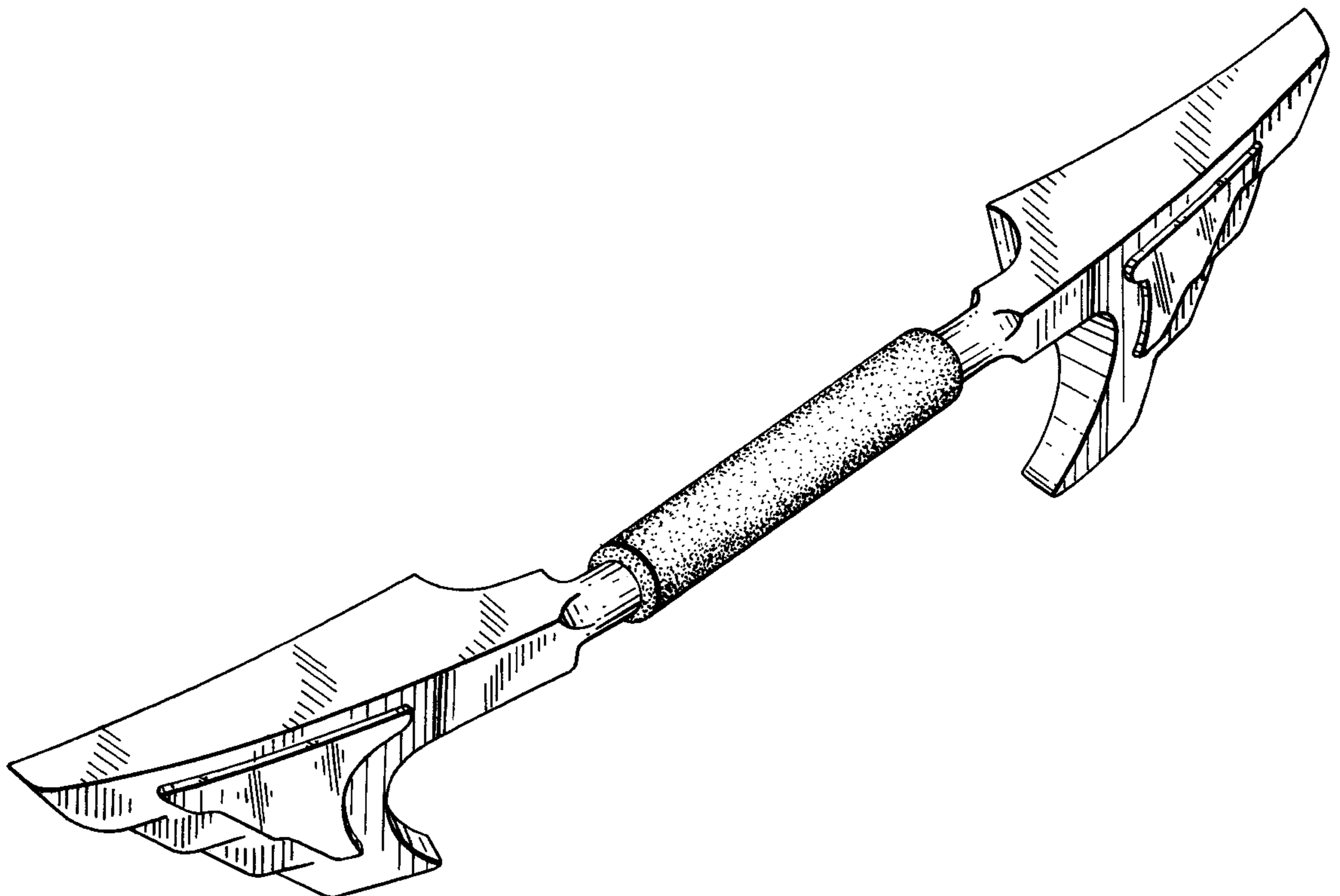
(57) **CLAIM**

The ornamental design for a dual accent ornament, as shown and described.

DESCRIPTION

FIG. 1 is a perspective view of the dual accent ornament; FIG. 2 is a top view of the dual accent ornament of FIG. 1; FIG. 3 is a front view of the dual accent ornament of FIG. 1; FIG. 4 is a bottom view of the dual accent ornament of FIG. 1; FIG. 5 is a rear view of the dual accent ornament of FIG. 1; and, FIG. 6 is a side view of the dual accent ornament of FIG. 1.

1 Claim, 3 Drawing Sheets



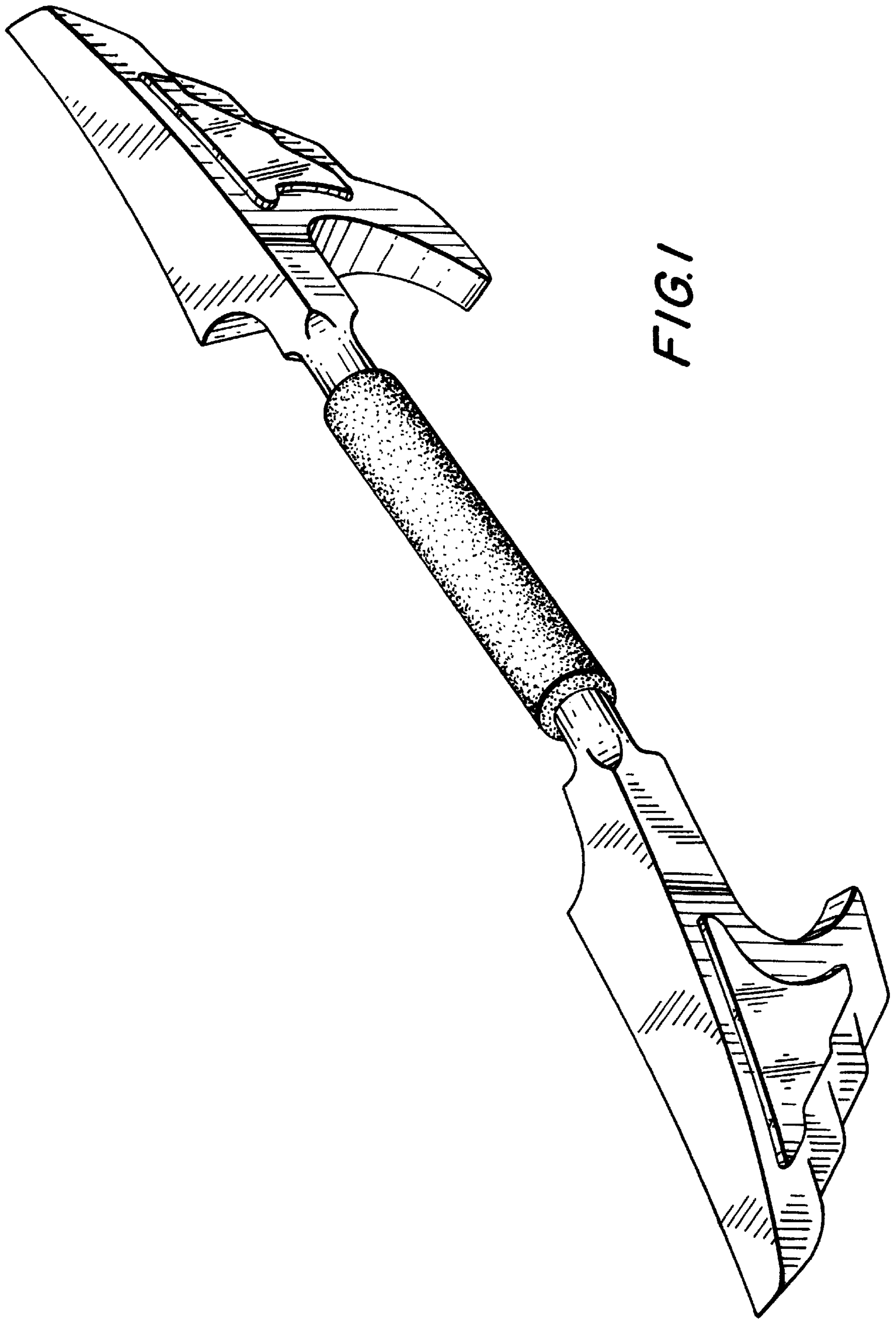


FIG. 1

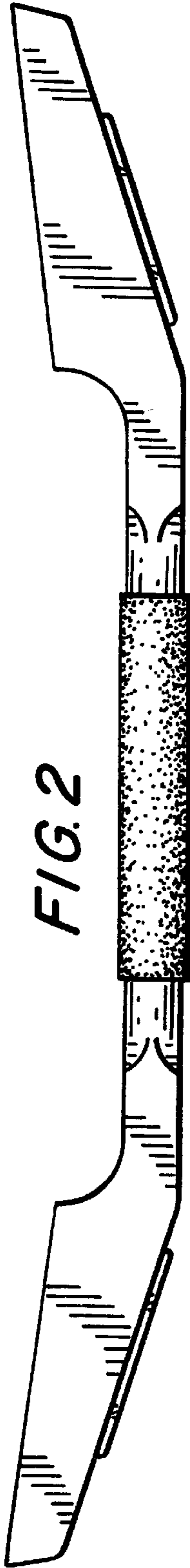


FIG. 3

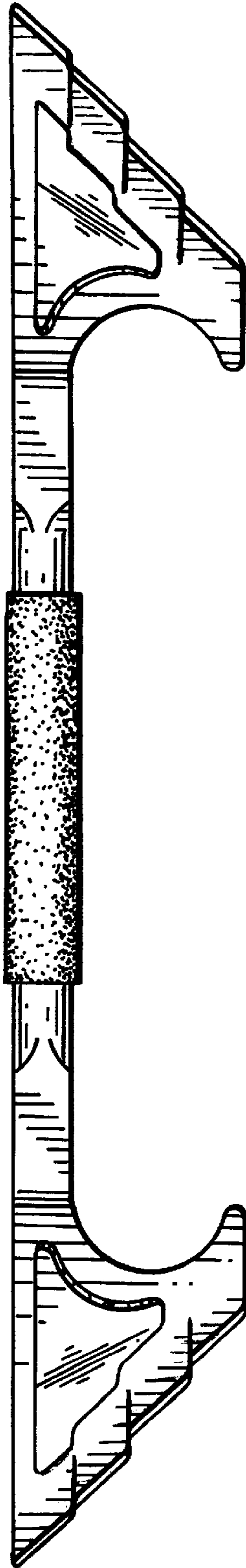


FIG. 4

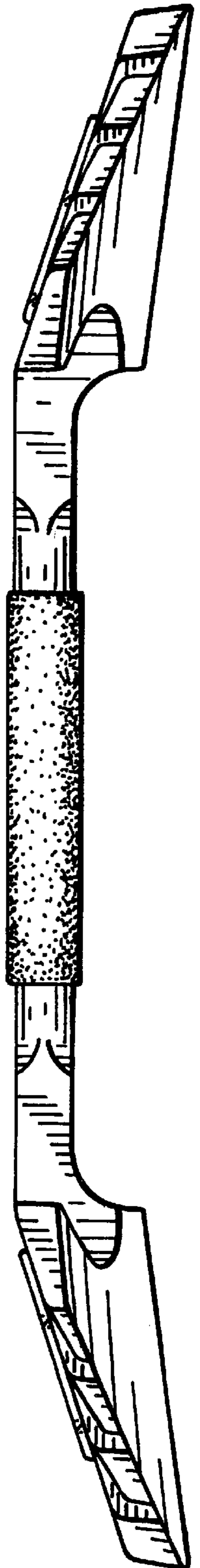


FIG. 5

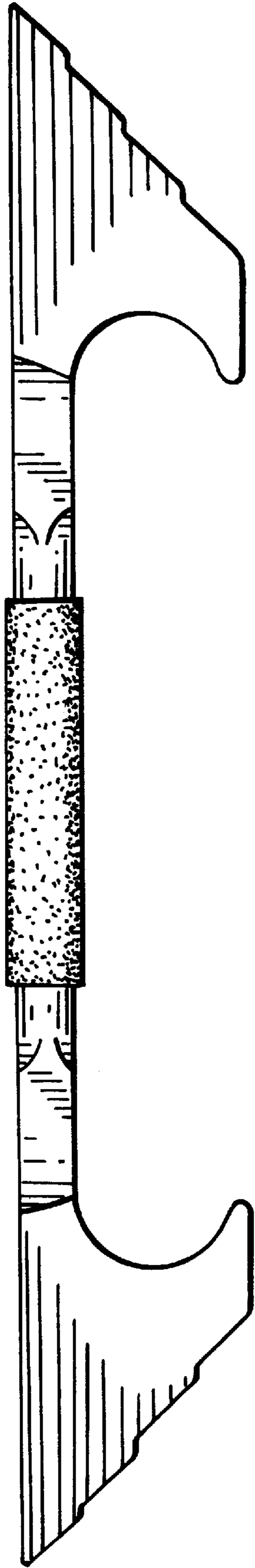


FIG. 6

