



US00D442121S

(12) **United States Design Patent**
LaBonte et al.

(10) **Patent No.: US D442,121 S**

(45) **Date of Patent: ** May 15, 2001**

(54) **ACCENT ORNAMENT ROUTE**

(76) Inventors: **John A. LaBonte**, 2185 23rd St., Rice Lake, WI (US) 54868; **Dennis Lee Becker**, Route 1, Haugen, WI (US) 54841

(**) Term: **14 Years**

(21) Appl. No.: **29/123,948**

(22) Filed: **May 26, 2000**

(51) **LOC (7) Cl.** **12-11**

(52) **U.S. Cl.** **D12/114**

(58) **Field of Search** D12/114, 190, D12/196, 201, 409, 410; 280/152.1, 152.2, 158.1, 160.1, 281.1, 288.4, 762; 180/219

(56) **References Cited**

U.S. PATENT DOCUMENTS

- D. 396,671 * 8/1998 Davidson et al. D12/114
- D. 403,991 * 1/1999 Davidson et al. D12/114

OTHER PUBLICATIONS

Custom Chrome, fender trim on p. 15.86, 1998.*
 Genuine Harley-Davidson ® Parts & Accessories catalog, oil tank cover trim rail shown in block C, 1995.*
 Drag Specialties Fat Book, saddlebag top trim at lower left corner of p. 26, 1999.*

* cited by examiner

Primary Examiner—Alan P. Douglas

Assistant Examiner—Linda Brooks

(74) *Attorney, Agent, or Firm*—Gottlieb, Rackman & Reisman, P.C.

(57) **CLAIM**

The ornamental design for an accent ornament, as shown and described.

DESCRIPTION

FIG. 1 is a perspective view of a first embodiment of the design for accent ornament;
 FIG. 2 is a top view of the design for accent ornament of FIG. 1;

FIG. 3 is a front view of the design for accent ornament of FIG. 1;

FIG. 4 is a bottom view of the design for accent ornament of FIG. 1;

FIG. 5 is a right side view of the design for accent ornament of FIG. 1;

FIG. 6 is a left side view of the design for accent ornament of FIG. 1;

FIG. 7 is a perspective view of a second embodiment of the design for accent ornament;

FIG. 8 is a top view of the design for accent ornament of FIG. 7;

FIG. 9 is a front view of the design for accent ornament of FIG. 7;

FIG. 10 is a bottom view of the design for accent ornament of FIG. 7;

FIG. 11 is a right side view of the design for accent ornament of FIG. 7;

FIG. 12 is a left side view of the design for accent ornament of FIG. 7;

FIG. 13 is a perspective view of a third embodiment of the design for accent ornament;

FIG. 14 is a top view of the design for accent ornament of FIG. 13;

FIG. 15 is a front view of the design for accent ornament of FIG. 13;

FIG. 16 is a bottom view of the design for accent ornament of FIG. 13;

FIG. 17 is a right side view of the design for accent ornament of FIG. 13;

FIG. 18 is a left side view of the design for accent ornament of FIG. 13;

FIG. 19 is a perspective view of a fourth embodiment of the design for accent ornament;

FIG. 20 is a top view of the design for accent ornament of FIG. 19;

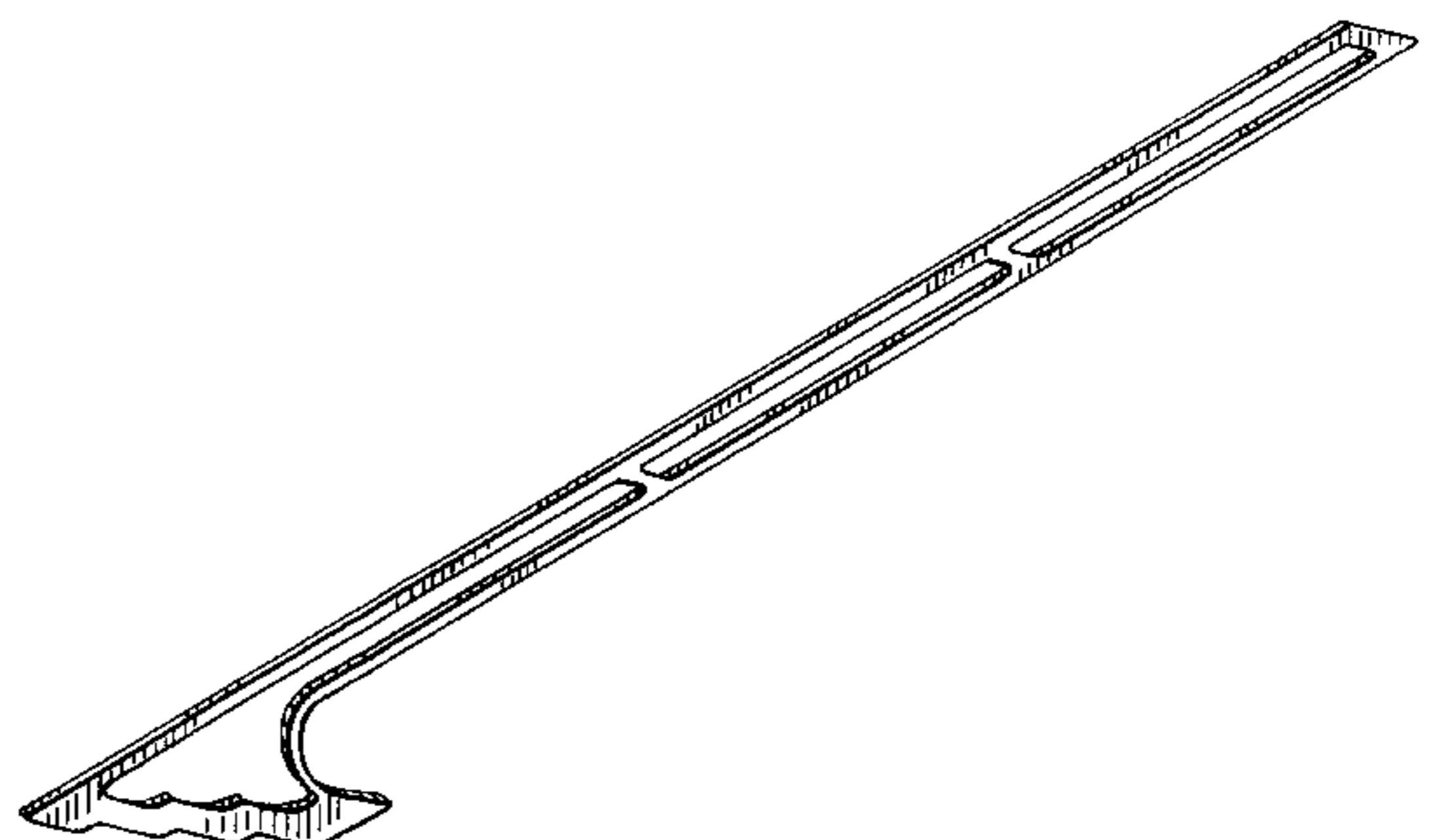
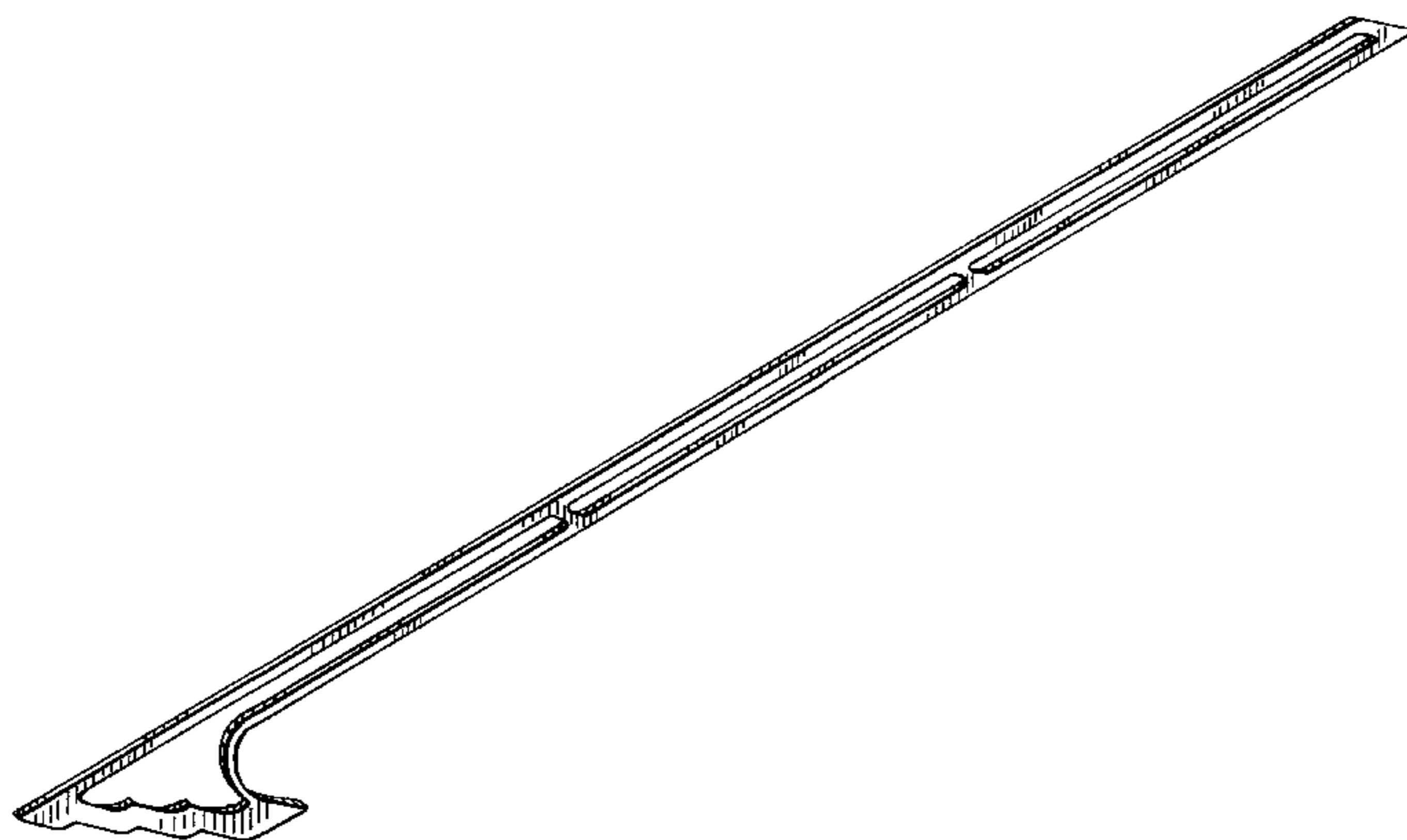
FIG. 21 is a front view of the design for accent ornament of FIG. 19;

FIG. 22 is a bottom view of the design for accent ornament of FIG. 19;

FIG. 23 is a right side view of the design for accent ornament of FIG. 19; and,

FIG. 24 is a left side view of the design for accent ornament of FIG. 19.

1 Claim, 8 Drawing Sheets



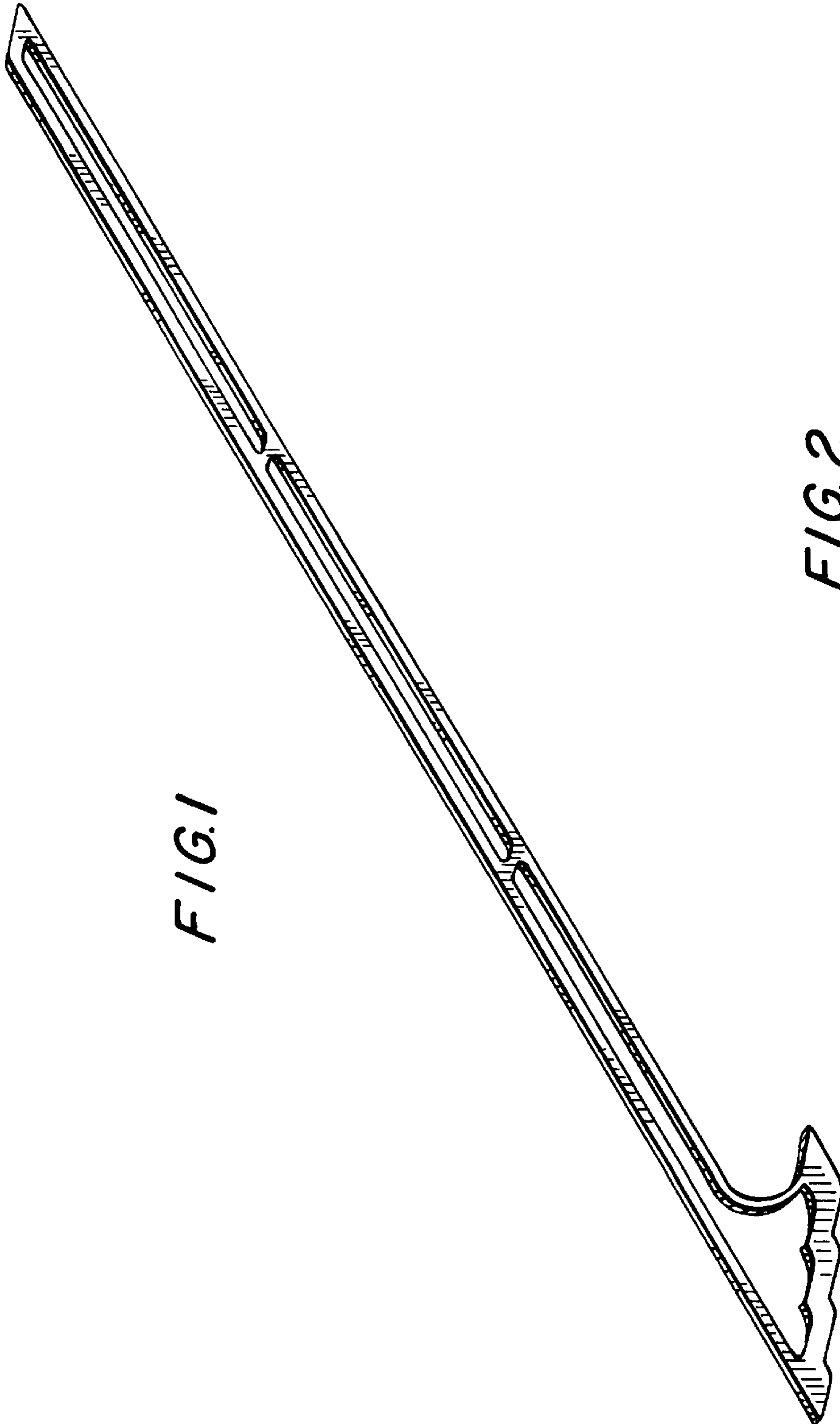


FIG. 1

FIG. 2



FIG. 3

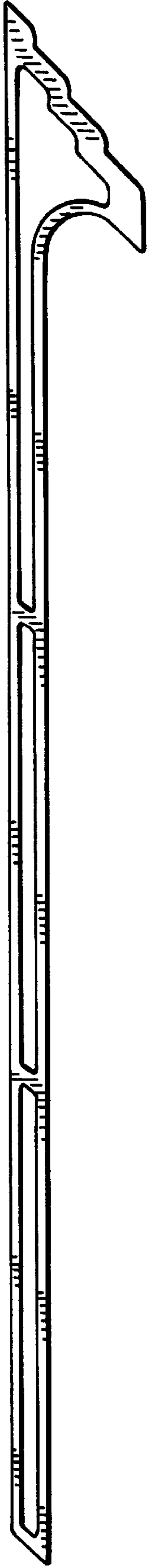


FIG. 4



FIG. 5



FIG. 6



FIG. 7

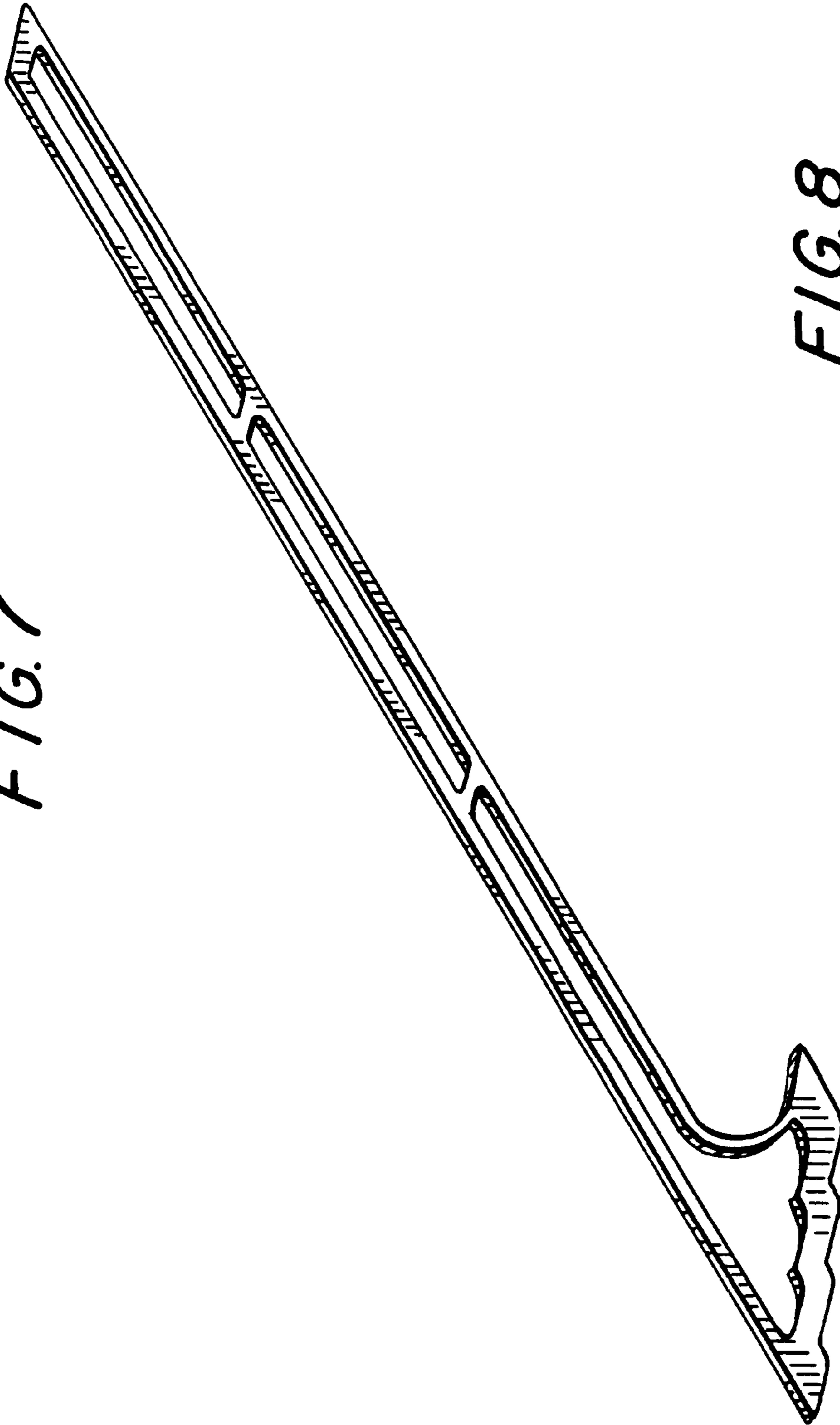


FIG. 8



FIG. 9

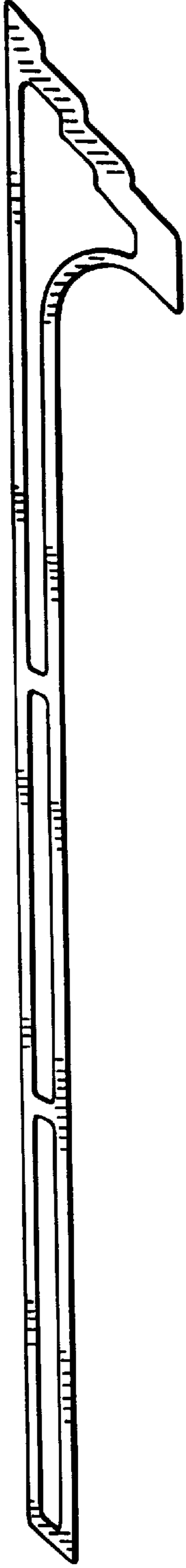


FIG. 10



FIG. 11



FIG. 12



FIG. 13

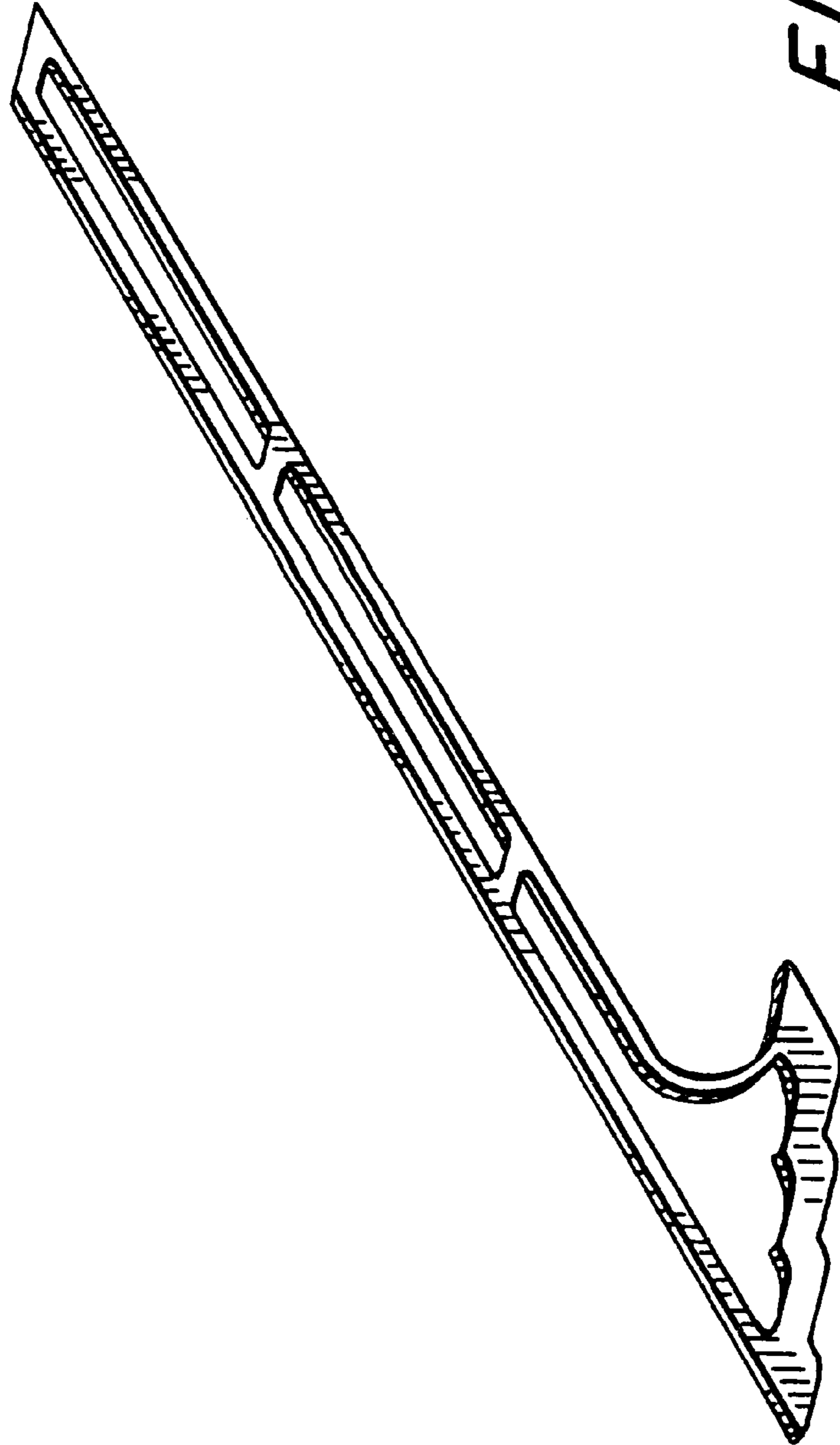


FIG. 14



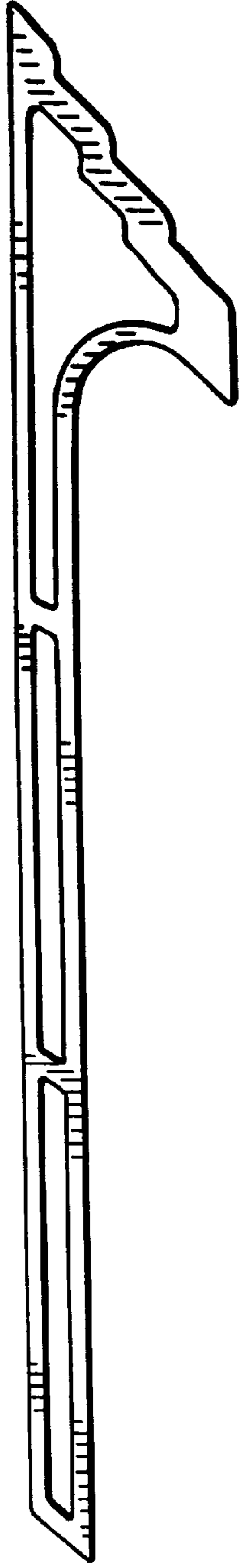


FIG. 15



FIG. 16

FIG. 18



FIG. 17



FIG. 19

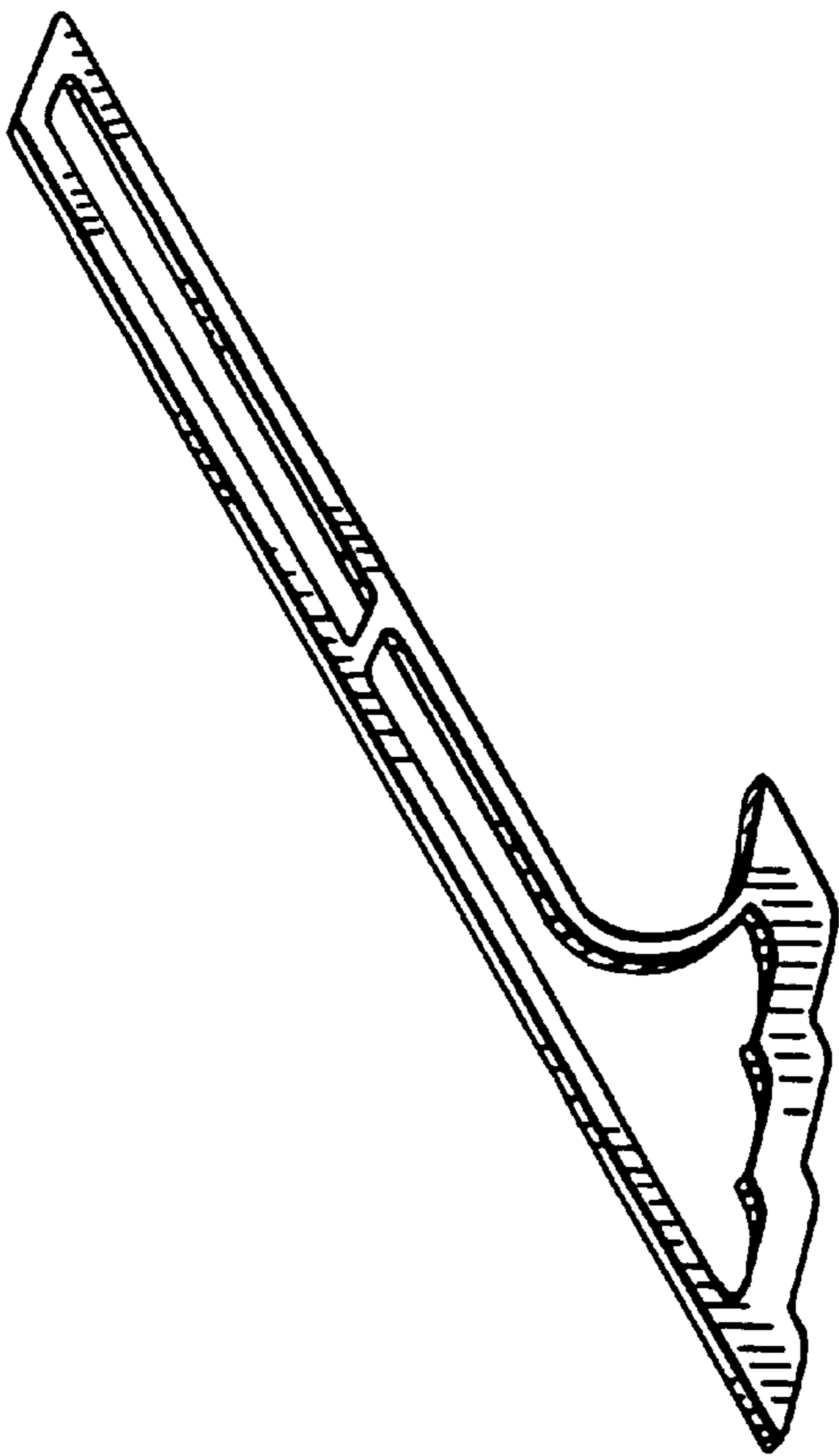


FIG. 20



FIG. 21

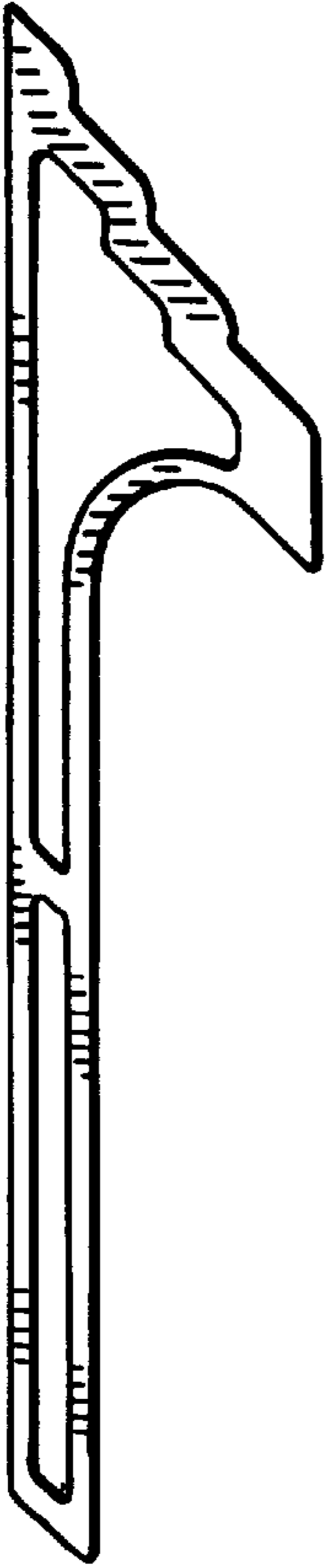


FIG. 22



FIG. 23



FIG. 24

