



US00D442118S

(12) **United States Design Patent**
Molzon et al.

(10) **Patent No.:** **US D442,118 S**

(45) **Date of Patent:** **** May 15, 2001**

(54) **EXTENDED CARGO CARRIER**

(75) Inventors: **William R. Molzon**, Clarkston, MI
(US); **Walter C. Feldbusch, Jr.**, North
Augusta, SC (US)

(73) Assignee: **Textron, Inc.**, Providence, RI (US)

(**) Term: **14 Years**

(21) Appl. No.: **29/117,722**

(22) Filed: **Jan. 31, 2000**

Related U.S. Application Data

(62) Division of application No. 29/107,259, filed on Jun. 30,
1999.

(51) **LOC (7) Cl.** **12-14**

(52) **U.S. Cl.** **D12/1**

(58) **Field of Search** D12/1, 14, 16,
D12/82, 86, 93; 280/DIG. 5; 296/37.7,
1.1, 22, 179, 183-186

(56) **References Cited**

U.S. PATENT DOCUMENTS

D. 187,857 * 5/1960 Collier D12/16

D. 227,244	*	6/1973	Keene	D12/14
D. 245,242	*	8/1977	Stolley	D12/16
D. 292,899	*	11/1987	Samuelson et al.	D12/16
D. 343,596	*	1/1994	Writt, Jr. et al.	D12/1
D. 345,717		4/1994	Molzon et al.	D12/16
D. 369,762		5/1996	Molzon et al.	D12/16
D. 373,099		8/1996	Molzon et al.	D12/16
D. 395,023	*	6/1998	Hikida	D12/16

* cited by examiner

Primary Examiner—Stacia Cadmus

(74) *Attorney, Agent, or Firm*—Perman & Green, LLP

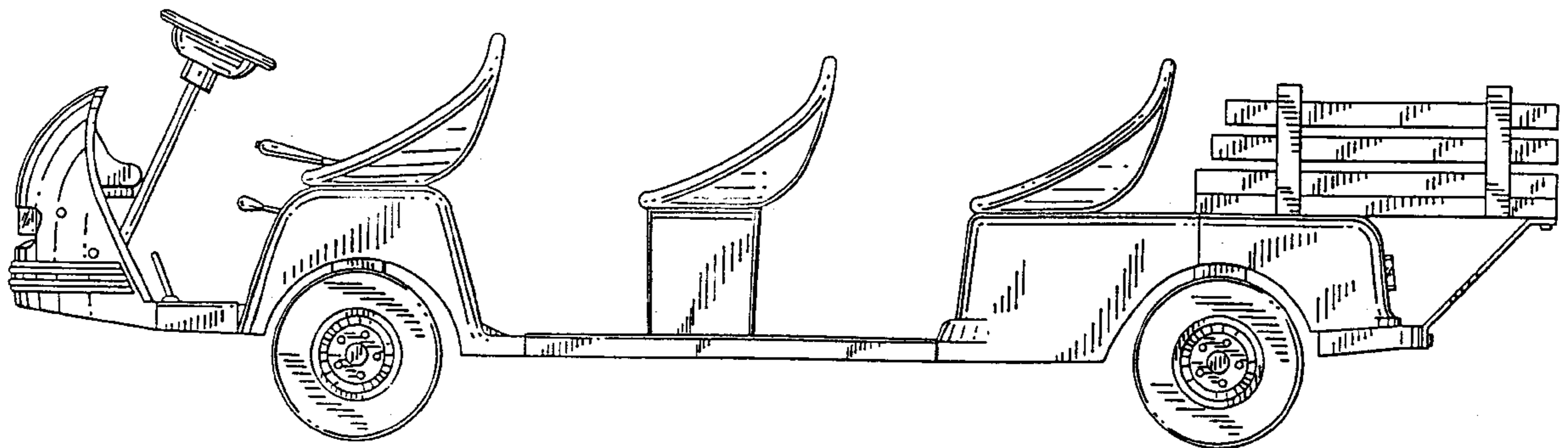
(57) **CLAIM**

The ornamental design for an extended cargo carrier, as shown and described.

DESCRIPTION

FIG. 1 is a front and left side perspective view of the extended cargo carrier showing our new design; FIG. 2 is a left side elevational view thereof, the right side being a mirror image thereof; FIG. 3 is a top plan view thereof; FIG. 4 is a front elevational view thereof; and, FIG. 5 is a rear elevational view thereof.

1 Claim, 4 Drawing Sheets



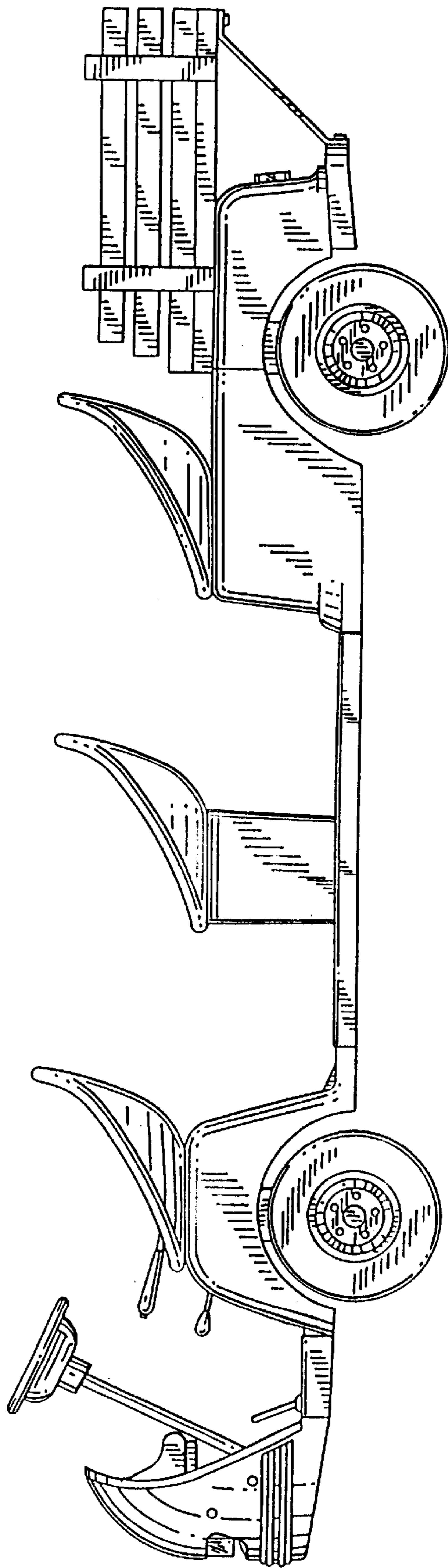


FIG. 1

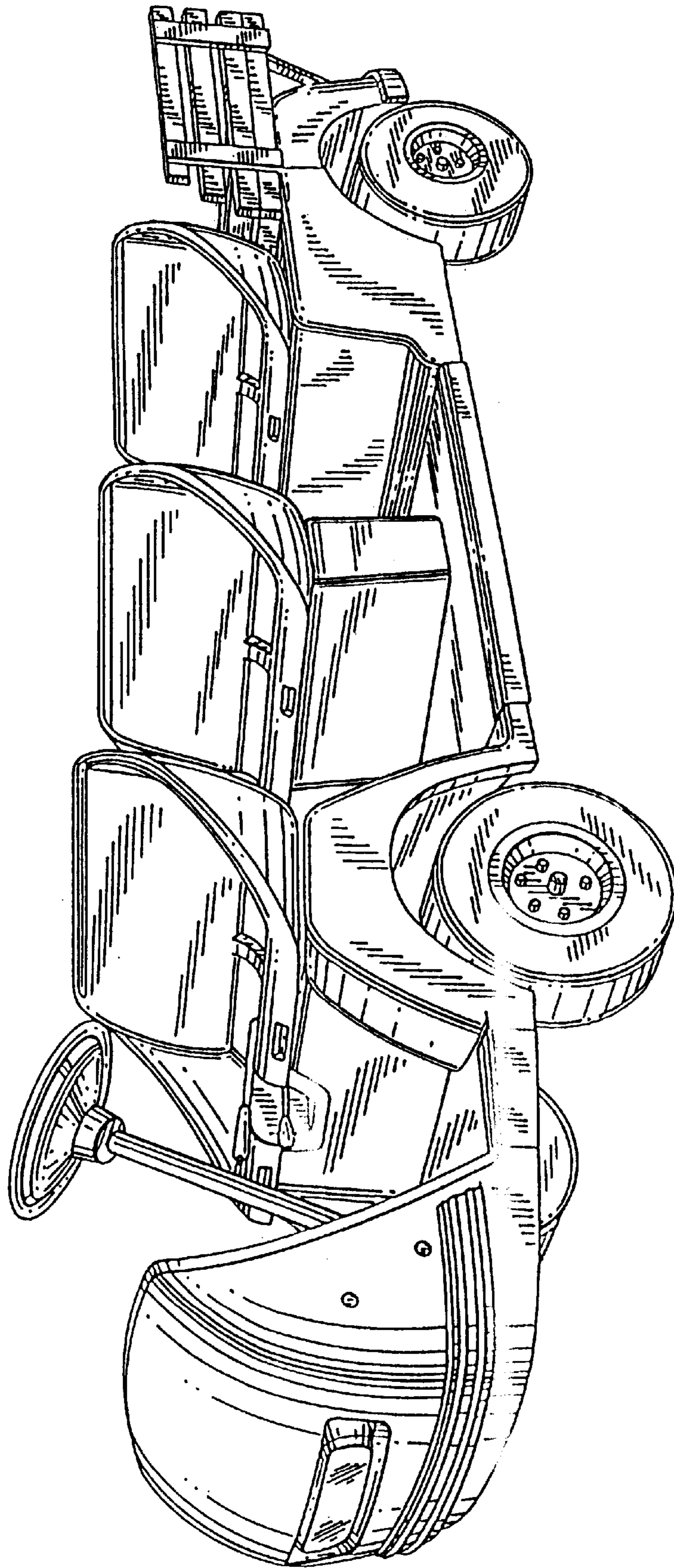


FIG. 2

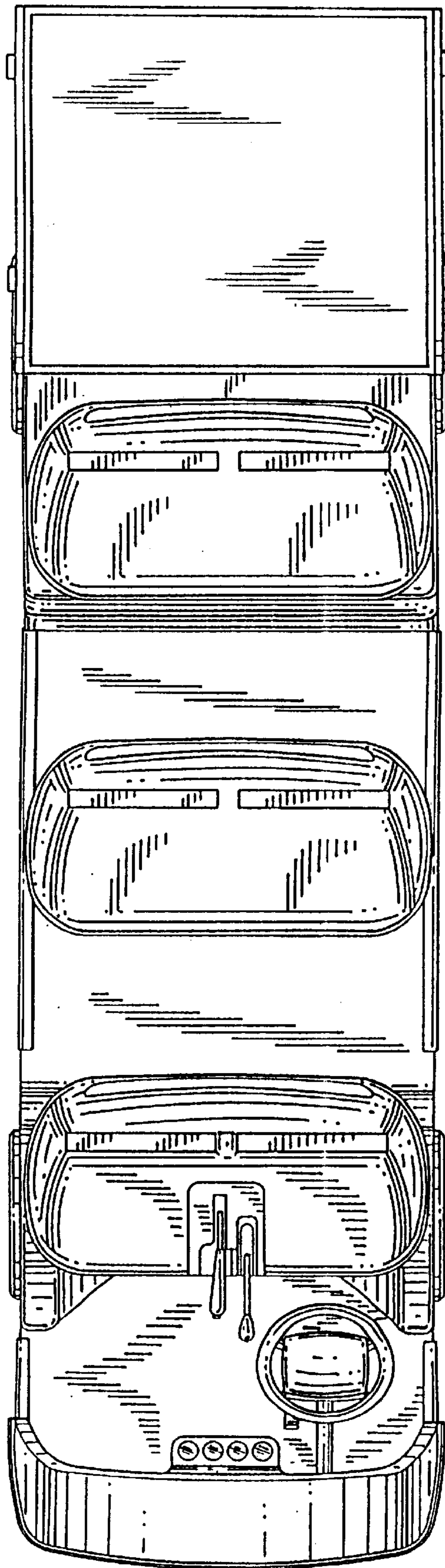


FIG. 3

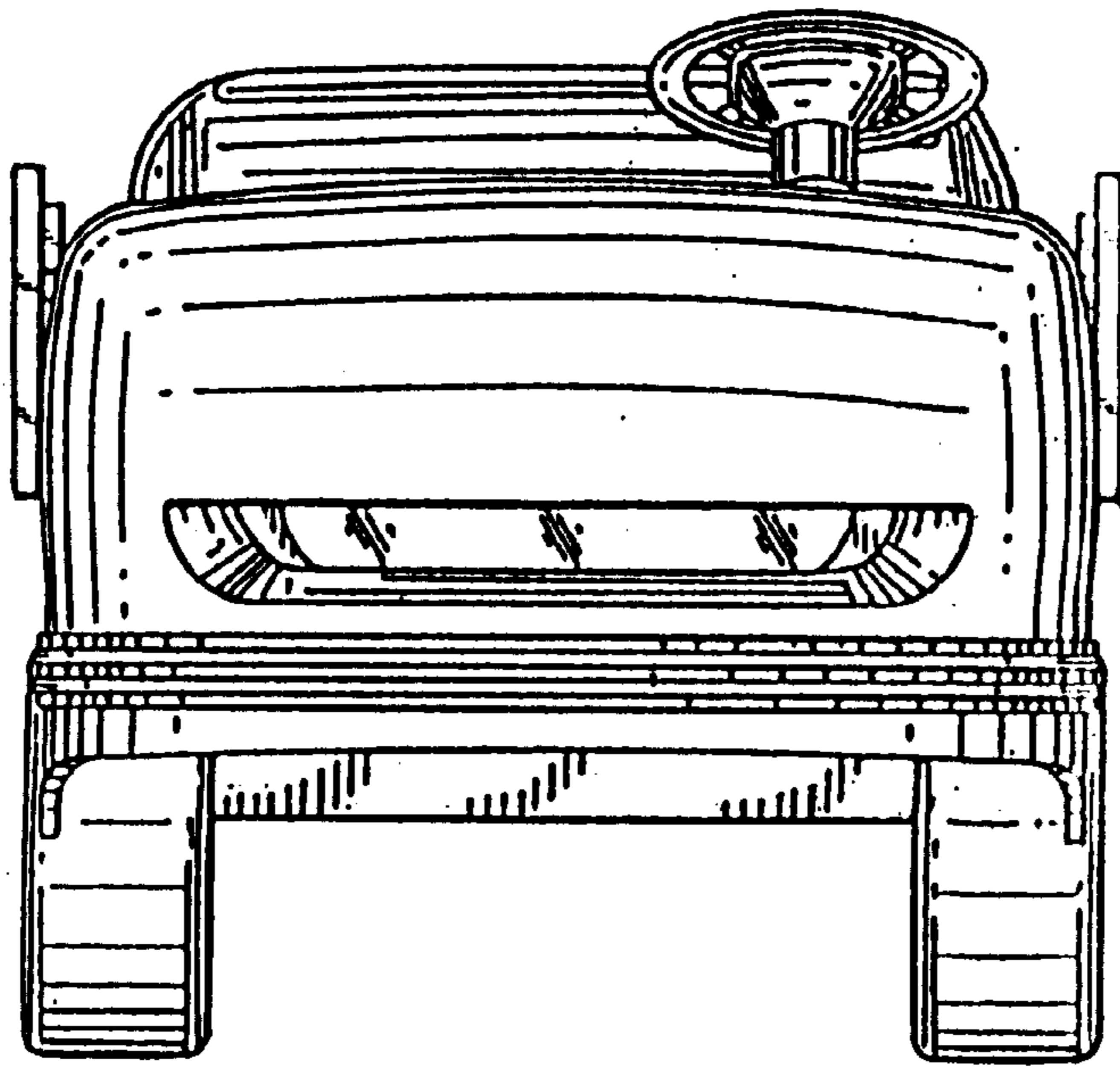


FIG. 4

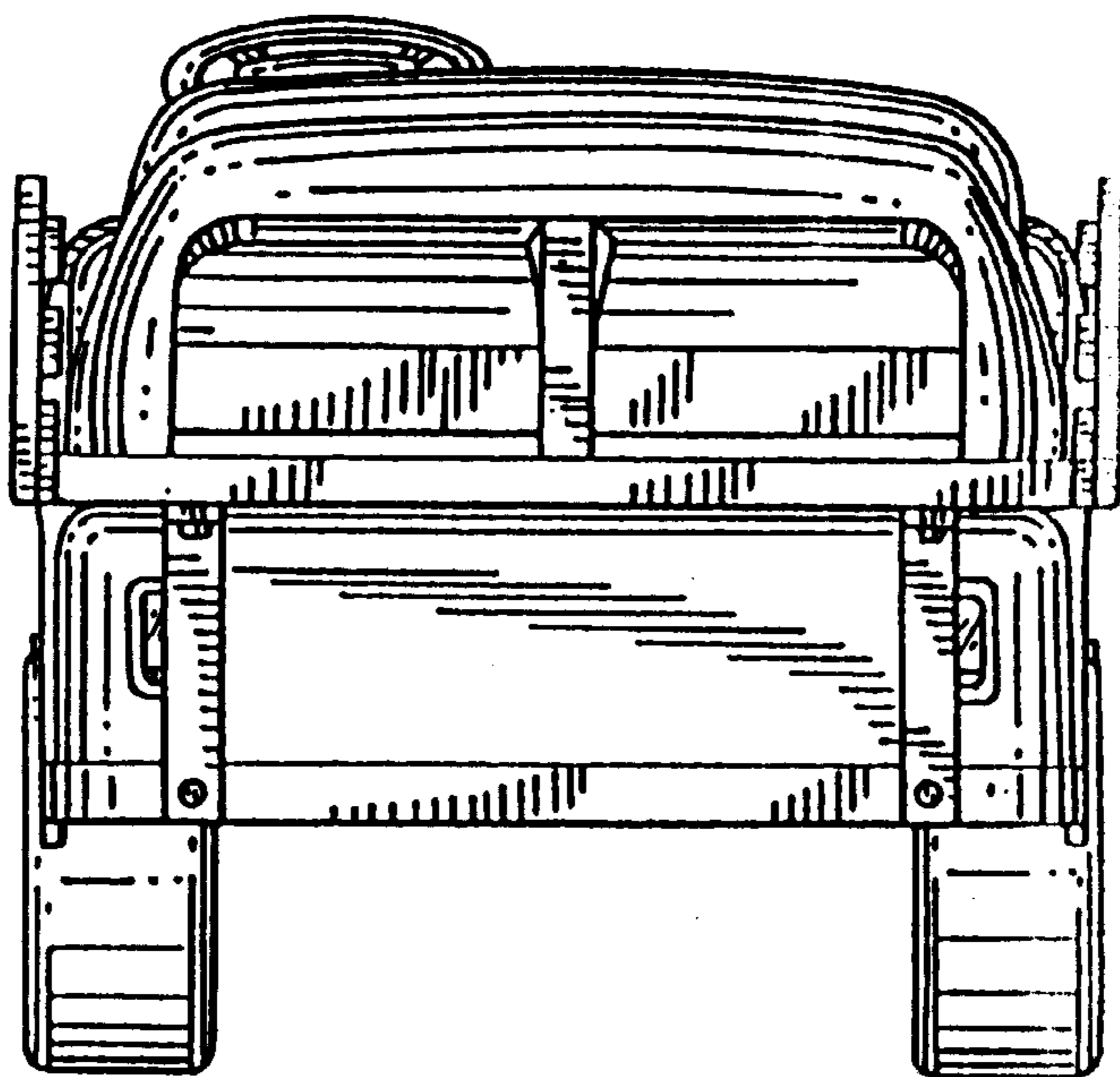


FIG. 5