



US00D442113S

(12) **United States Design Patent**
Nisguretsky

(10) **Patent No.:** **US D442,113 S**

(45) **Date of Patent:** **** May 15, 2001**

(54) **JEWELRY ATTACHMENT**

(75) Inventor: **Barry Nisguretsky**, New York, NY (US)

(73) Assignee: **Verragio Ltd.**, New York, NY (US)

(**) Term: **14 Years**

(21) Appl. No.: **29/117,444**

(22) Filed: **Jan. 24, 2000**

(51) **LOC (7) Cl.** **11-01**

(52) **U.S. Cl.** **D11/86**

(58) **Field of Search** D11/86, 61, 62,
D11/116, 79, 217, 229; 40/618, 640, 653,
303; 24/191, 311

(56) **References Cited**

U.S. PATENT DOCUMENTS

D. 131,620	*	3/1942	Miller	D11/86
D. 292,501	*	10/1987	Jones	D11/61
1,585,031	*	5/1926	Hartman	40/640
1,994,686	*	3/1935	Chernow	40/618
2,680,315	*	6/1954	McHugh et al.	40/640
2,689,423	*	9/1954	Atkin	40/618

* cited by examiner

Primary Examiner—Louis S. Zarfes

Assistant Examiner—Catherine R. Oliver

(74) *Attorney, Agent, or Firm*—Baker Botts L.L.P.

(57) **CLAIM**

An ornamental design for a jewelry attachment, as shown and described.

DESCRIPTION

FIG. 1 is a perspective view of a first embodiment of a jewelry attachment;

FIG. 2 is a top plan view of the jewelry attachment shown in FIG. 1;

FIG. 3 is a front elevational view of the jewelry attachment of FIG. 1, with the rear elevational view being a mirror image thereof;

FIG. 4 is a side elevational view of the jewelry attachment of FIG. 1, with the opposite side view being a mirror image thereof;

FIG. 5 is a perspective view of a second embodiment of the jewelry attachment;

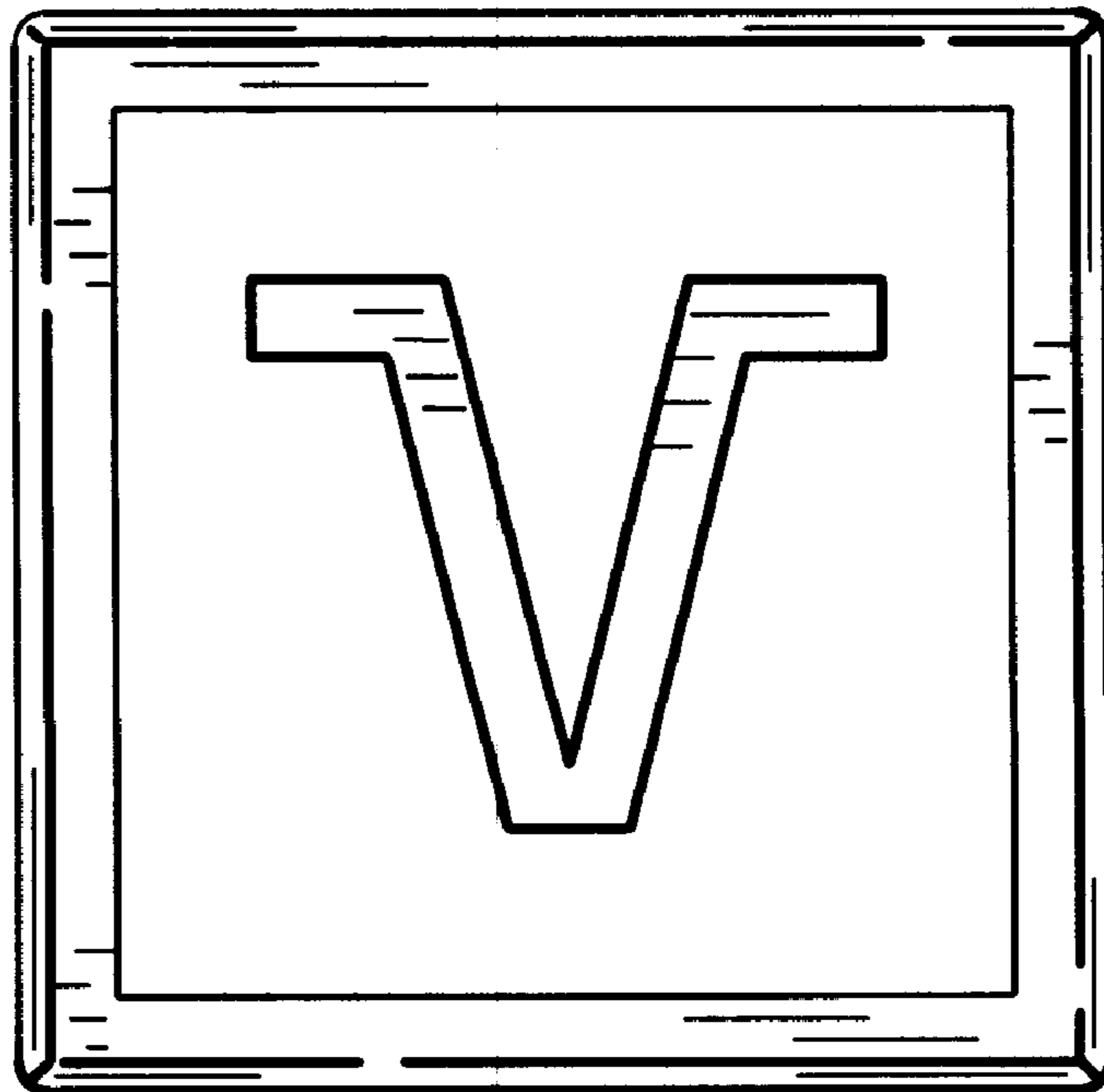
FIG. 6 is a top plan view of the jewelry attachment shown in FIG. 5;

FIG. 7 is a front elevational view of the jewelry attachment of FIG. 5, with the rear elevational view being a mirror image thereof; and,

FIG. 8 is a side elevational view of the jewelry attachment of FIG. 5, with the opposite side view being a mirror image thereof.

Broken line illustrations in the drawings do not form any part of the design(s) sought to be patented or claimed.

1 Claim, 3 Drawing Sheets



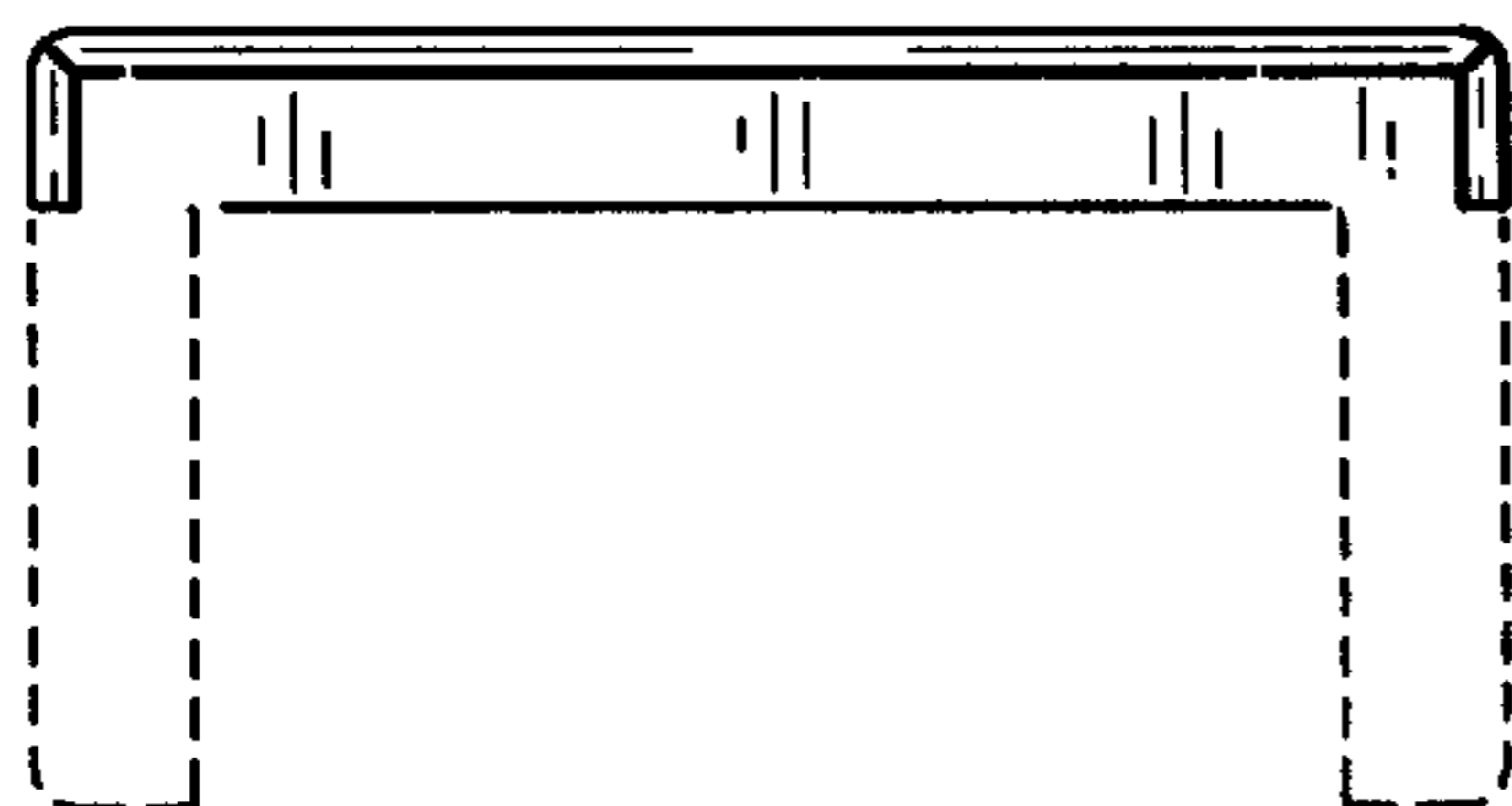
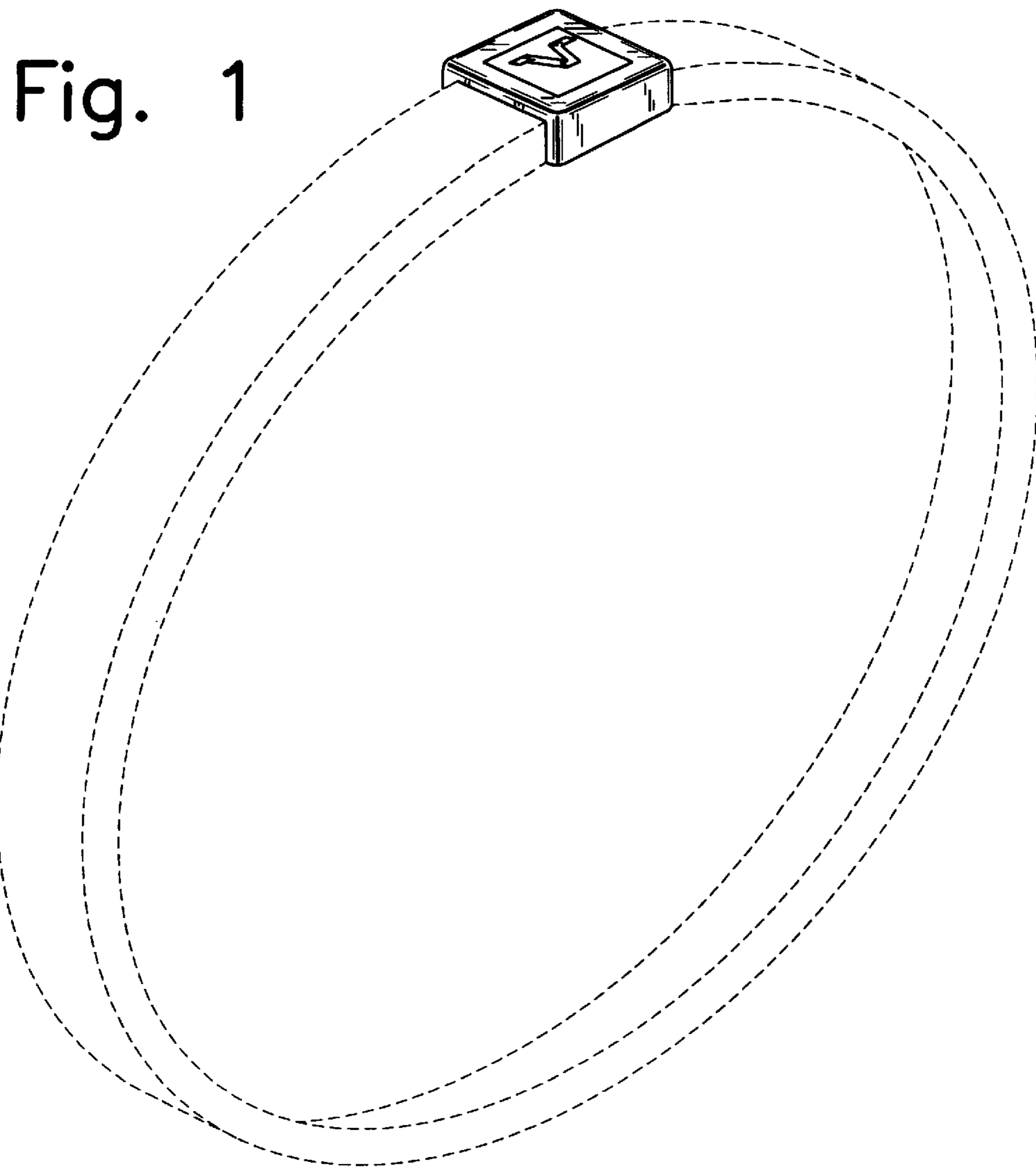


Fig. 8

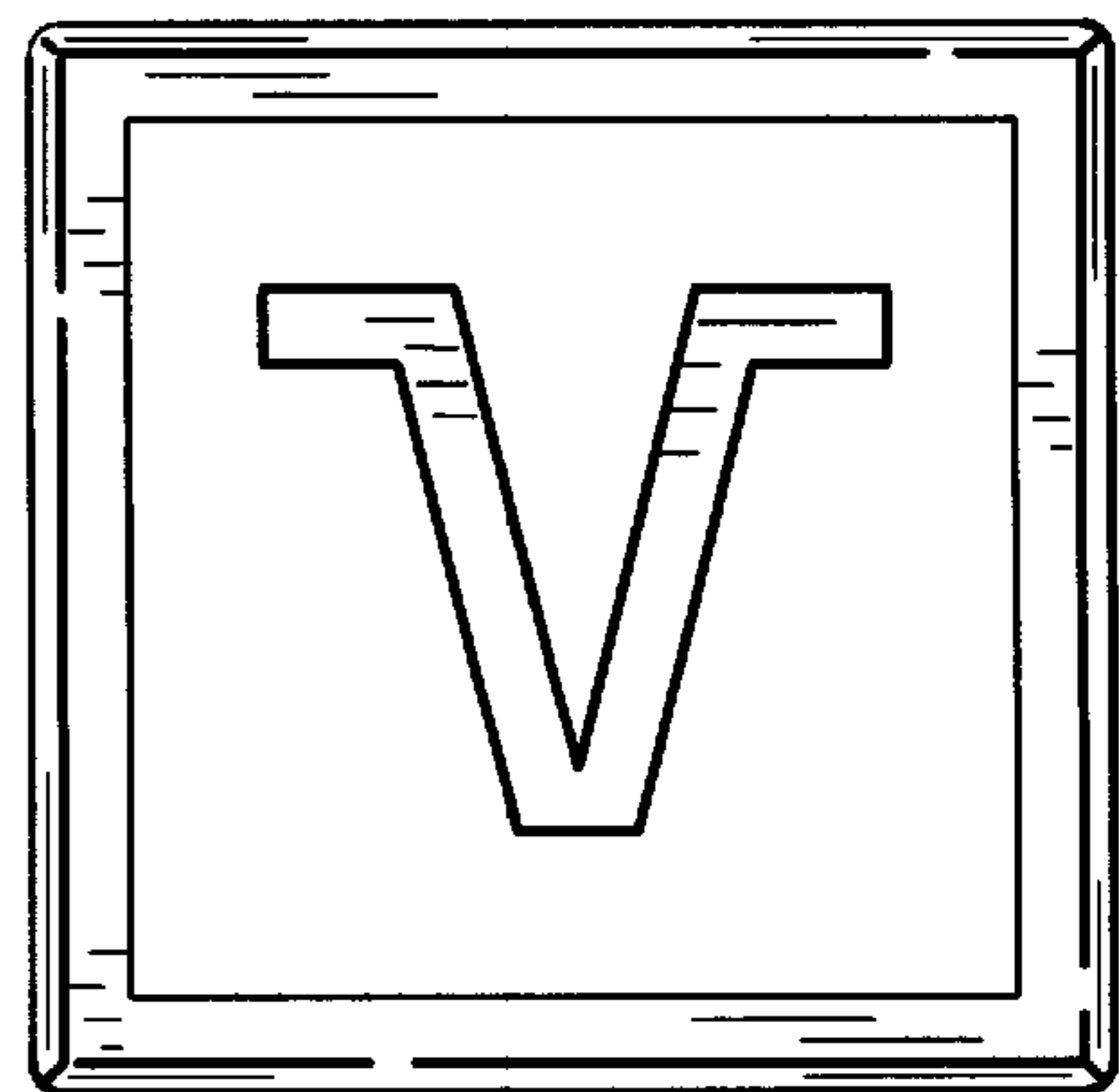


Fig. 2

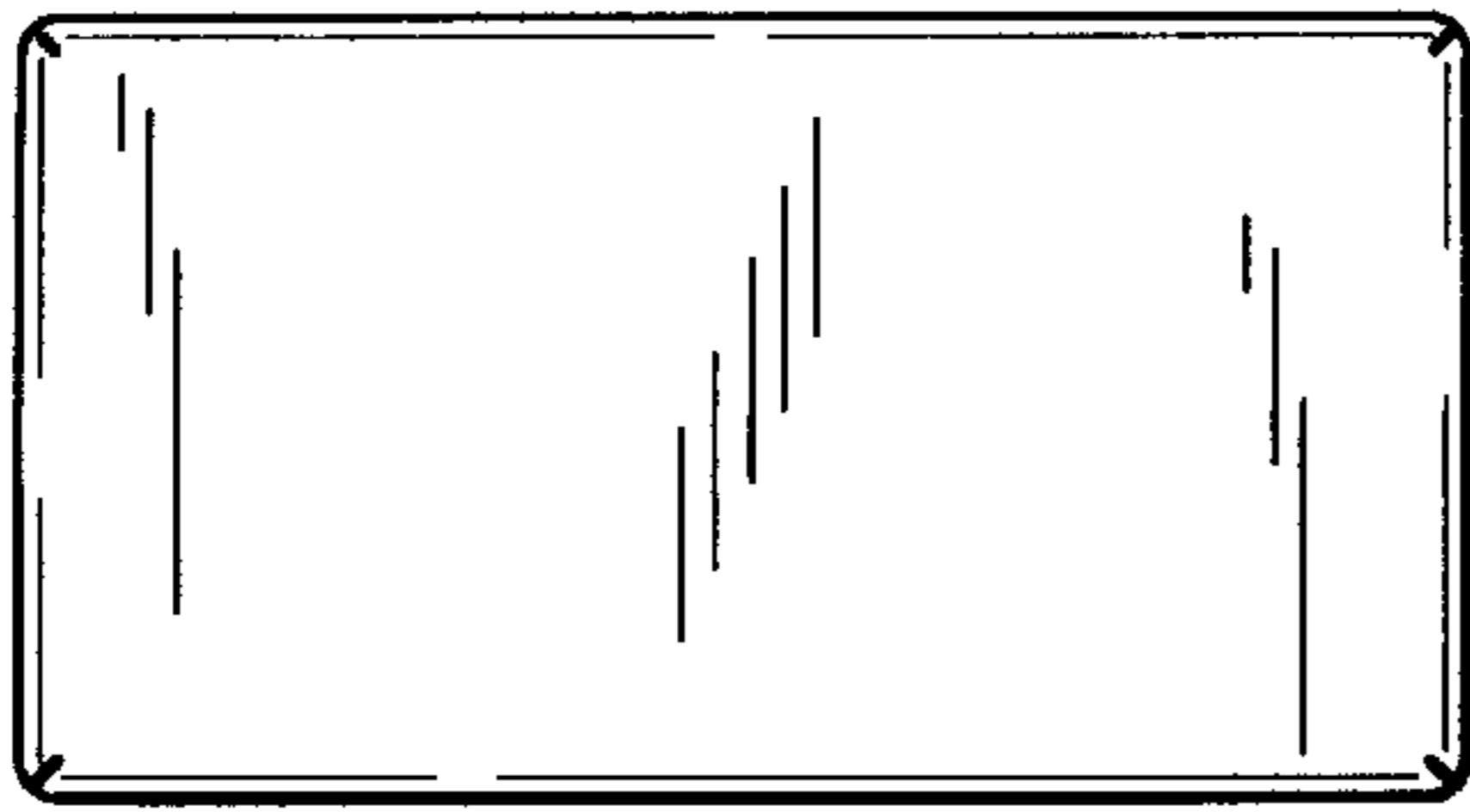


Fig. 3

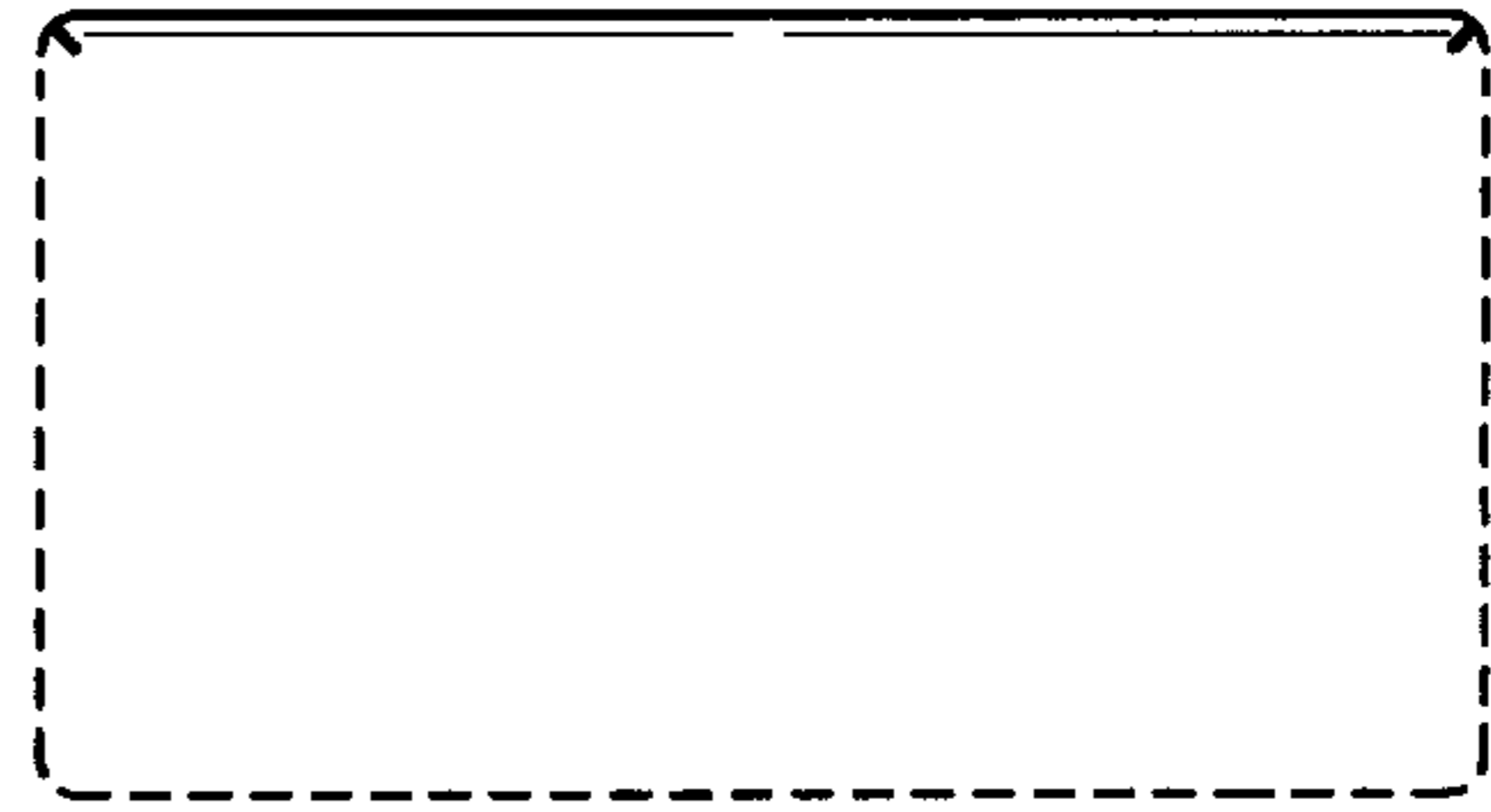


Fig. 7

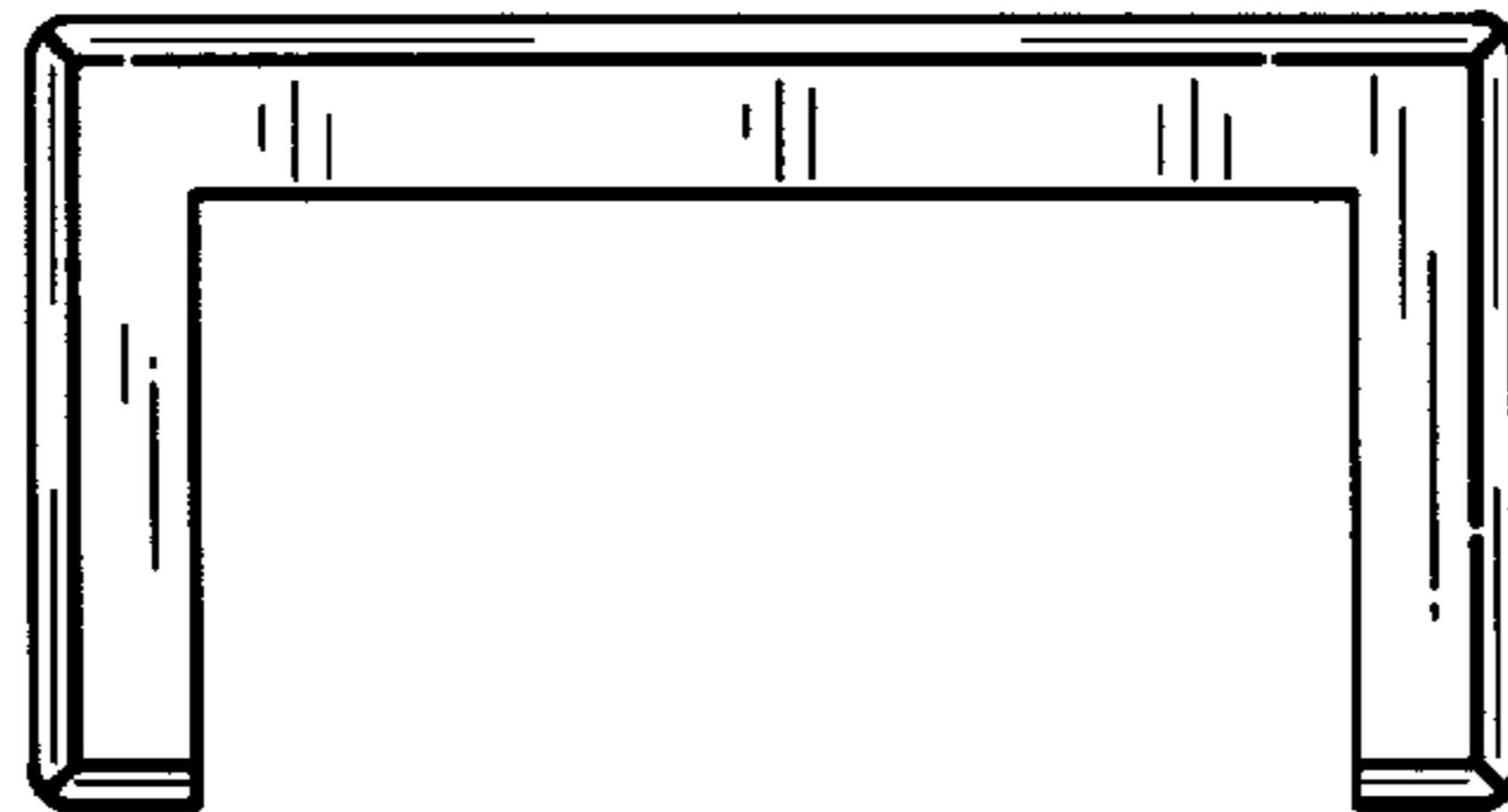


Fig. 4

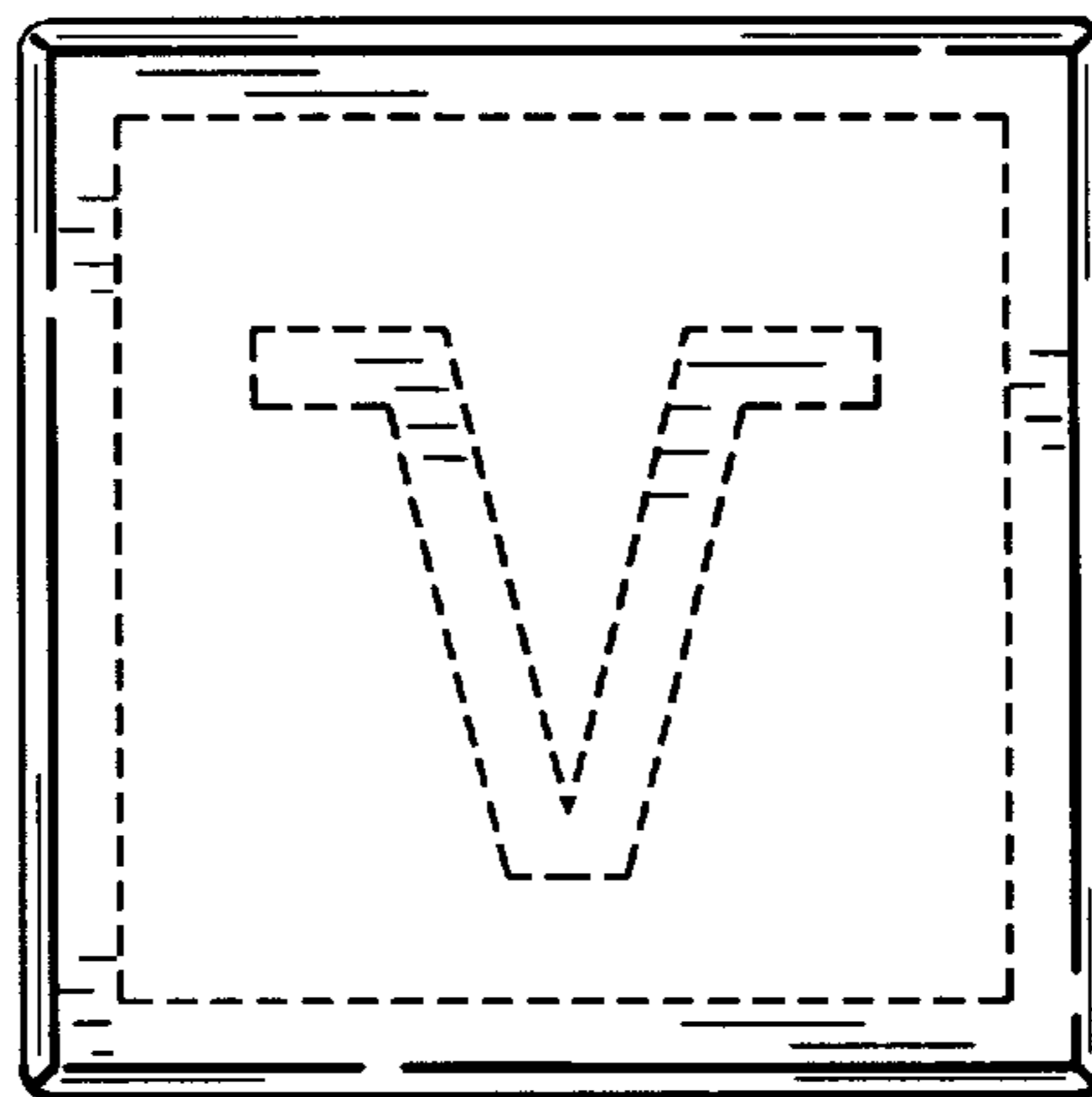


Fig. 6

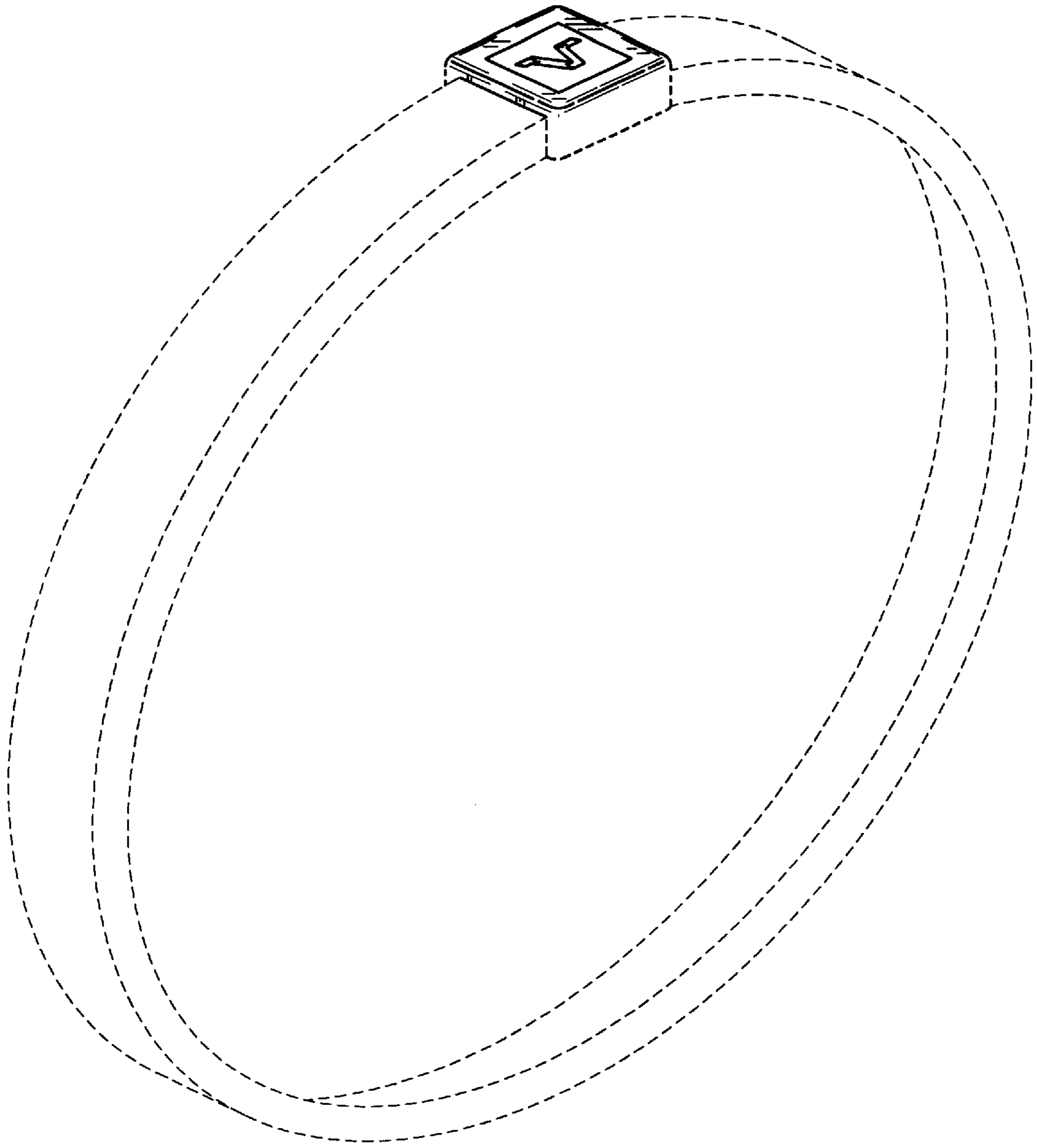


Fig. 5