



US00D442105S

(12) **United States Design Patent**
Lloyd et al.

(10) **Patent No.:** **US D442,105 S**

(45) **Date of Patent:** **** May 15, 2001**

(54) **LANCET**

(75) Inventors: **William A. Lloyd**, Montréal; **Martin Lancing**, Pierrefonds, both of (CA)

(73) Assignee: **Medical Plastic Devices M.P.D. Inc.**,
Pointe-Claire (CA)

(**) Term: **14 Years**

(21) Appl. No.: **29/110,171**

(22) Filed: **Sep. 2, 1999**

(51) **LOC (7) Cl.** **10-05**

(52) **U.S. Cl.** **D10/113**

(58) **Field of Search** D10/109, 111,
D10/113, 114, 121; 404/4-16; 116/63 C,
63 P, 63 R; 40/607, 608, 611, 612

(56) **References Cited**

U.S. PATENT DOCUMENTS

D. 320,172 * 9/1991 Thurston D10/113

D. 338,631 * 8/1993 Braverman D10/113

D. 390,490 * 2/1998 Ruderick D10/113

D. 412,131 * 7/1999 Bent et al. D10/113

* cited by examiner

Primary Examiner—Marcus A. Jackson

(74) *Attorney, Agent, or Firm*—Alain M. Leclerc

(57) **CLAIM**

The ornamental design for a lancet, as shown and described.

DESCRIPTION

FIG. 1 is a perspective view of the lancet showing our new design;

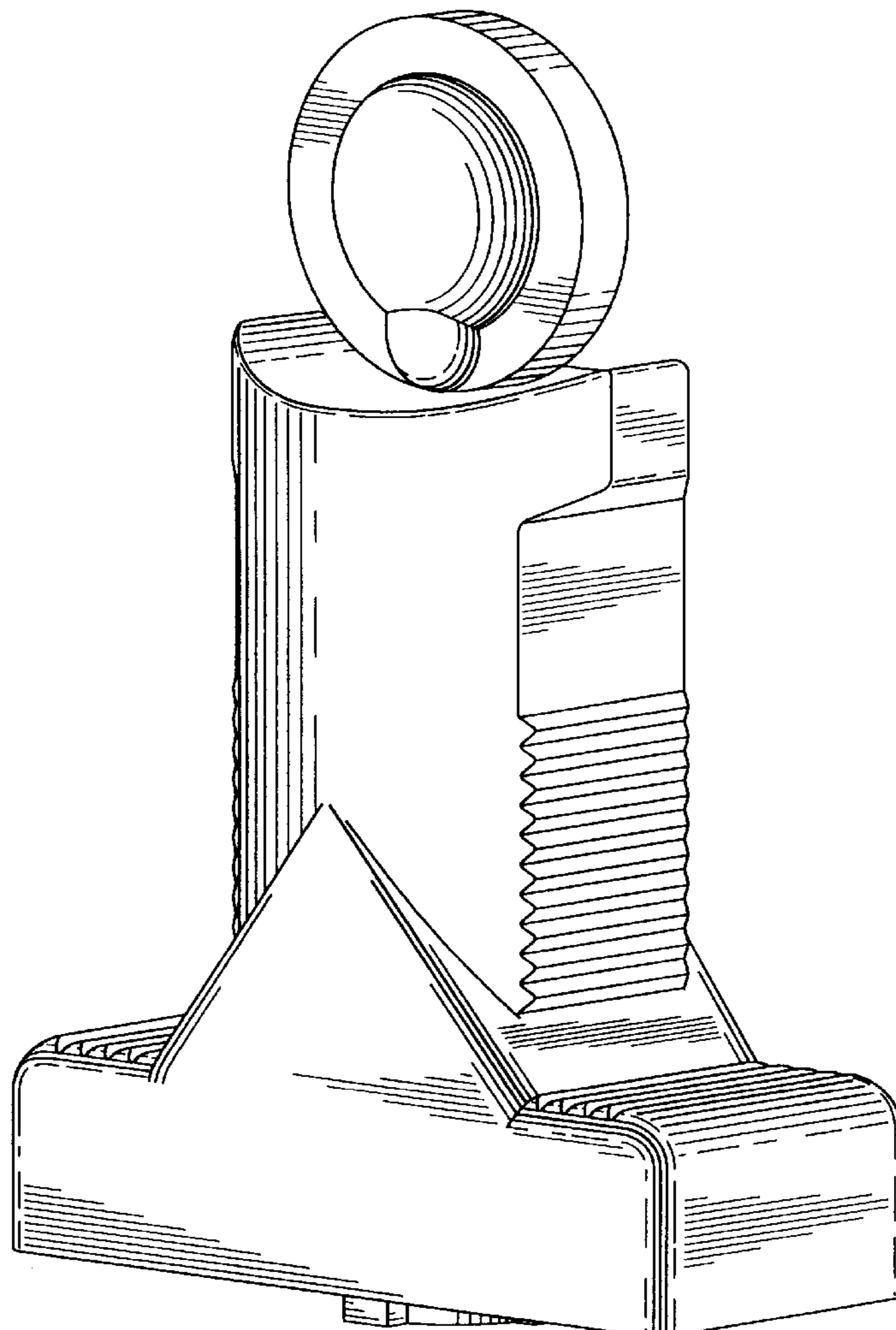
FIG. 2 is a top plan view thereof;

FIG. 3 is an elevation view thereof;

FIG. 4 is a side elevation view thereof; and,

FIG. 5 is a bottom plan view thereof.

1 Claim, 3 Drawing Sheets



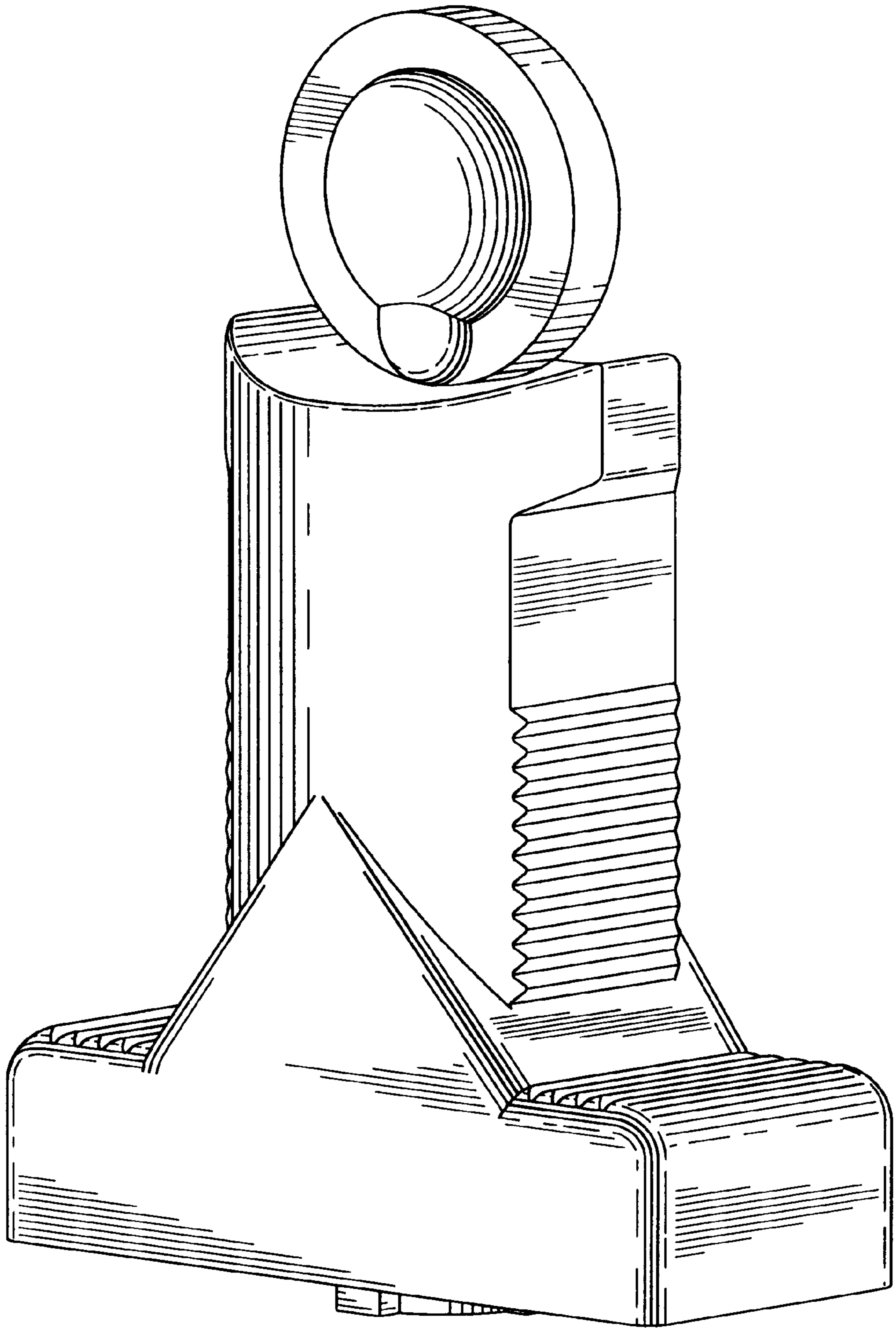


FIG. 1

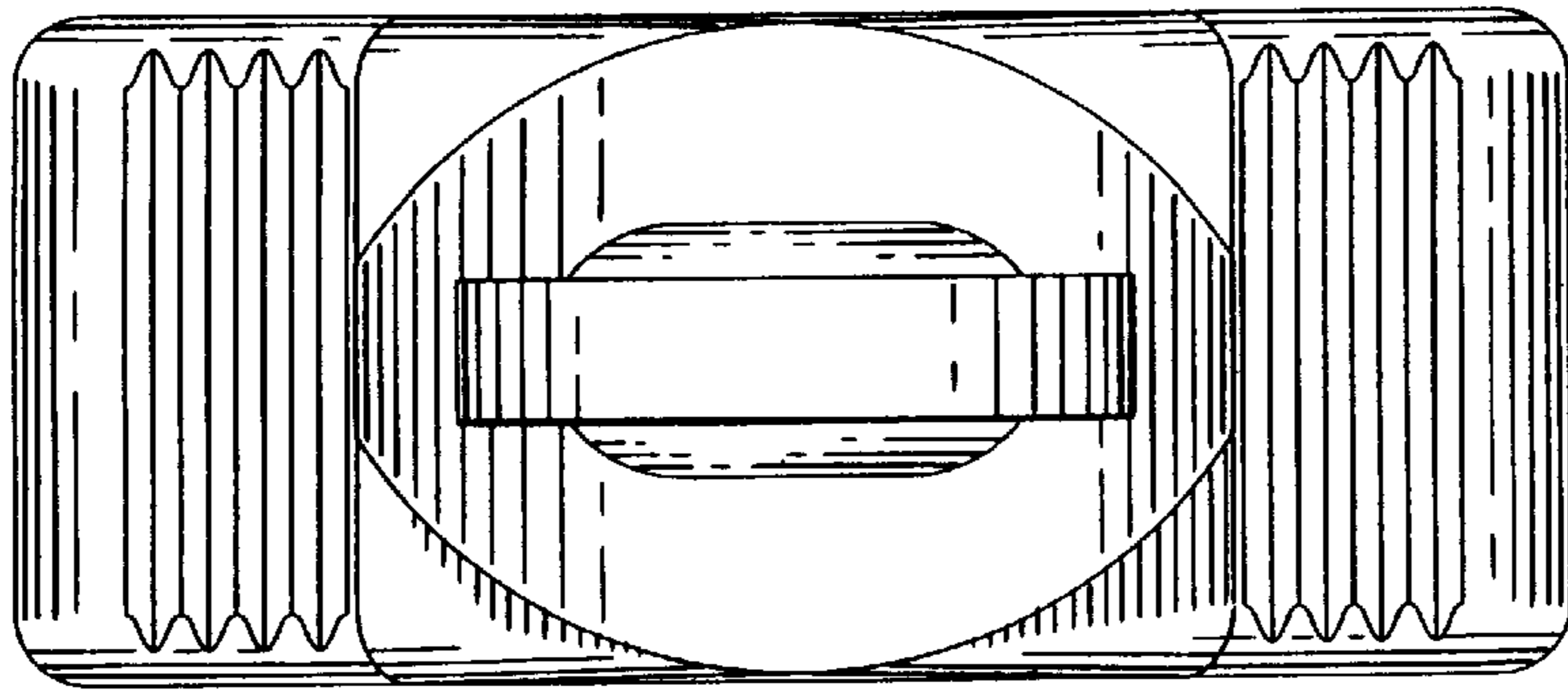


FIG. 2

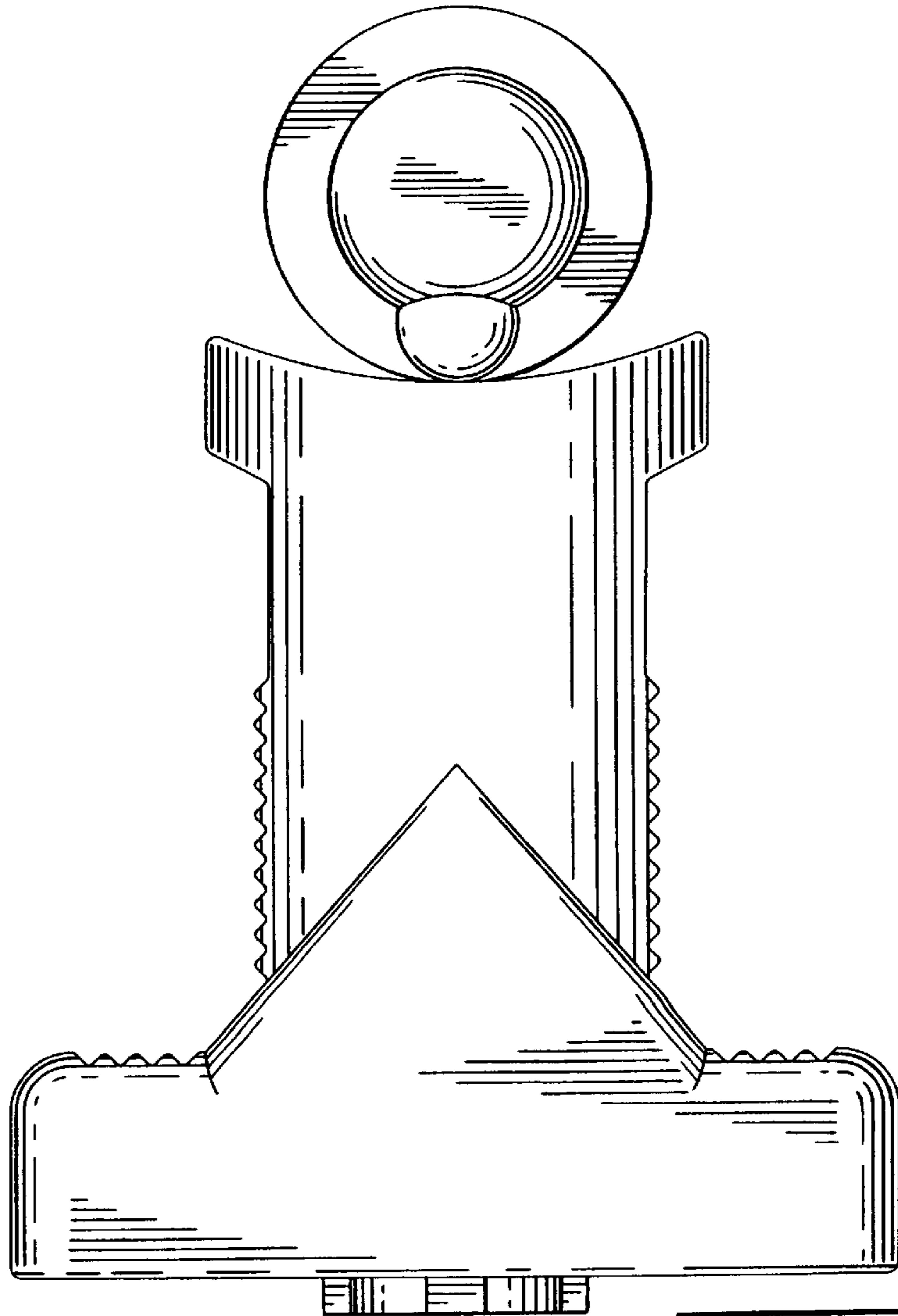


FIG. 3

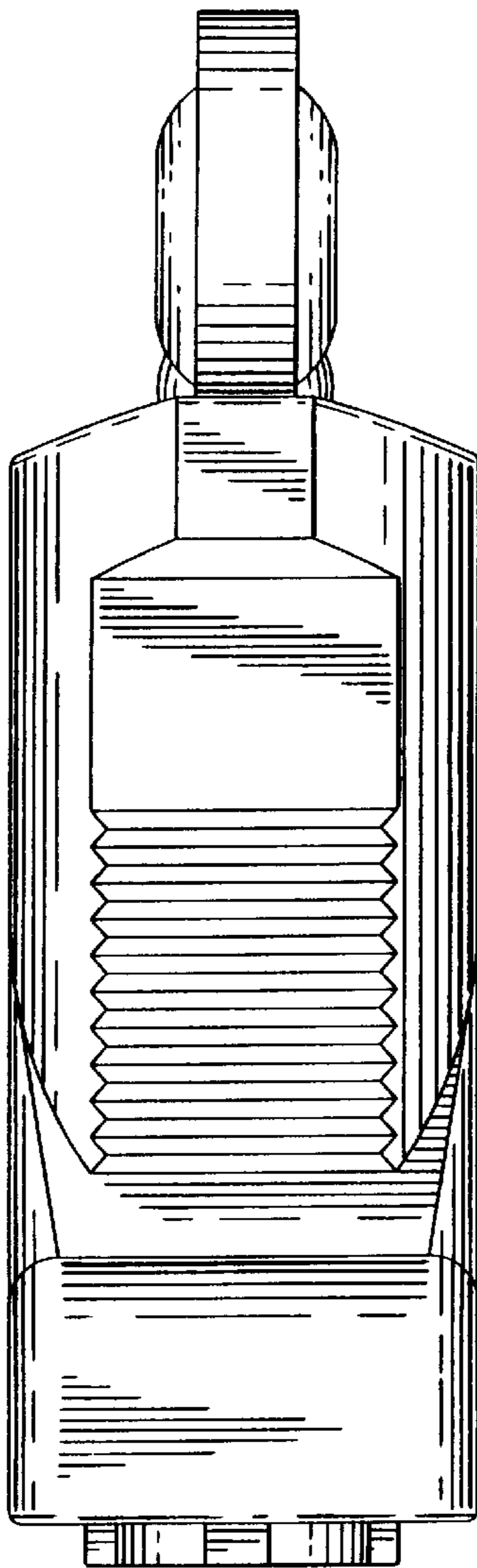


FIG. 4

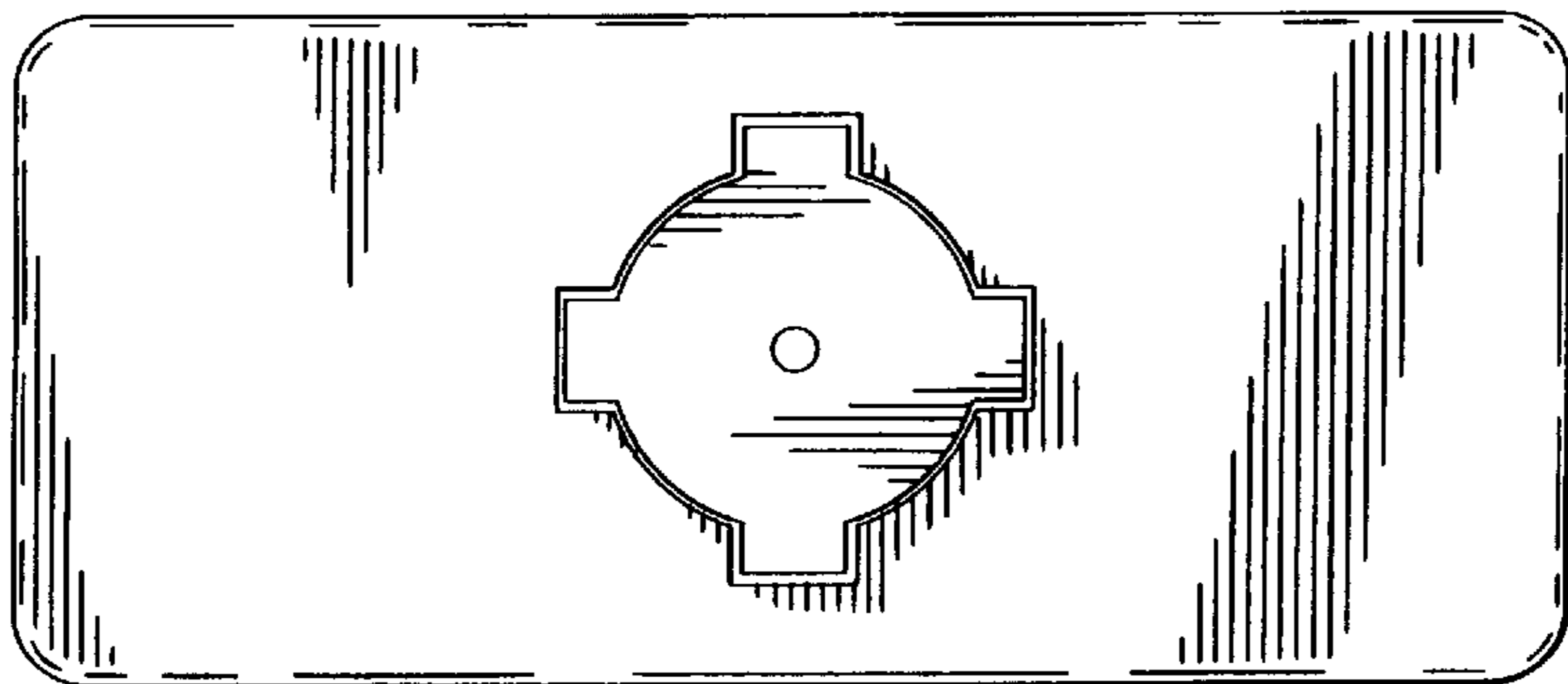


FIG. 5