



US00D442103S

(12) **United States Design Patent**  
**Legallais et al.**

(10) **Patent No.:** **US D442,103 S**

(45) **Date of Patent:** **\*\* May 15, 2001**

(54) **FLOW METER**

(75) Inventors: **Celine Legallais**, Paris; **Xavier Ringot**,  
Chevreuse, both of (FR)

(73) Assignee: **Faure Herman Group Intertechnique**,  
Cedex (FR)

(\*\*) Term: **14 Years**

(21) Appl. No.: **29/125,834**

(22) Filed: **Jun. 30, 2000**

(51) **LOC (7) Cl.** ..... **10-04**

(52) **U.S. Cl.** ..... **D10/96**

(58) **Field of Search** ..... D10/96; 137/3,  
137/7, 114, 557; 73/861.77, 861.79; 210/651,  
636, 650, 653, 760, 900

(56) **References Cited**

**U.S. PATENT DOCUMENTS**

6,026,693 \* 2/2000 Baumoel et al. .... 73/861.27

\* cited by examiner

*Primary Examiner*—Antoine Duval Davis

(74) *Attorney, Agent, or Firm*—Fulbright & Jaworski L.L.P.

(57) **CLAIM**

The ornamental design for a flow meter, as shown and described.

**DESCRIPTION**

FIG. 1 is a perspective view of the flow meter positioned on a pipe;

FIG. 2 is a typical side plan view of both sides of the flow meter;

FIG. 3 is a front plan view of the flow meter;

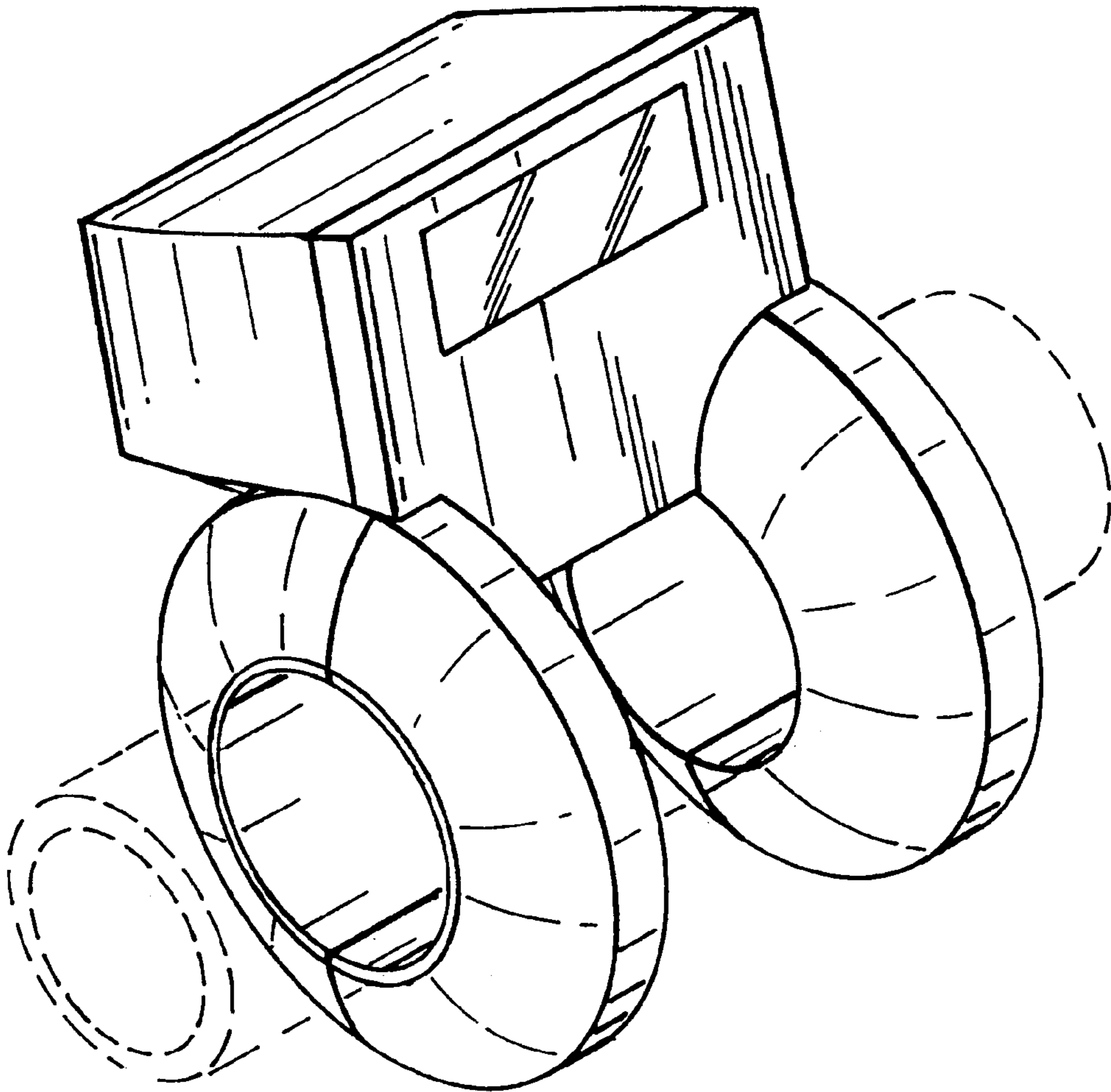
FIG. 4 is a back plan view of the flow meter;

FIG. 5 is a bottom plan view of the flow meter; and,

FIG. 6 is a top plan view of the flow meter.

The broken line showing is for illustrative purposes only and forms no part of the claimed design.

**1 Claim, 3 Drawing Sheets**



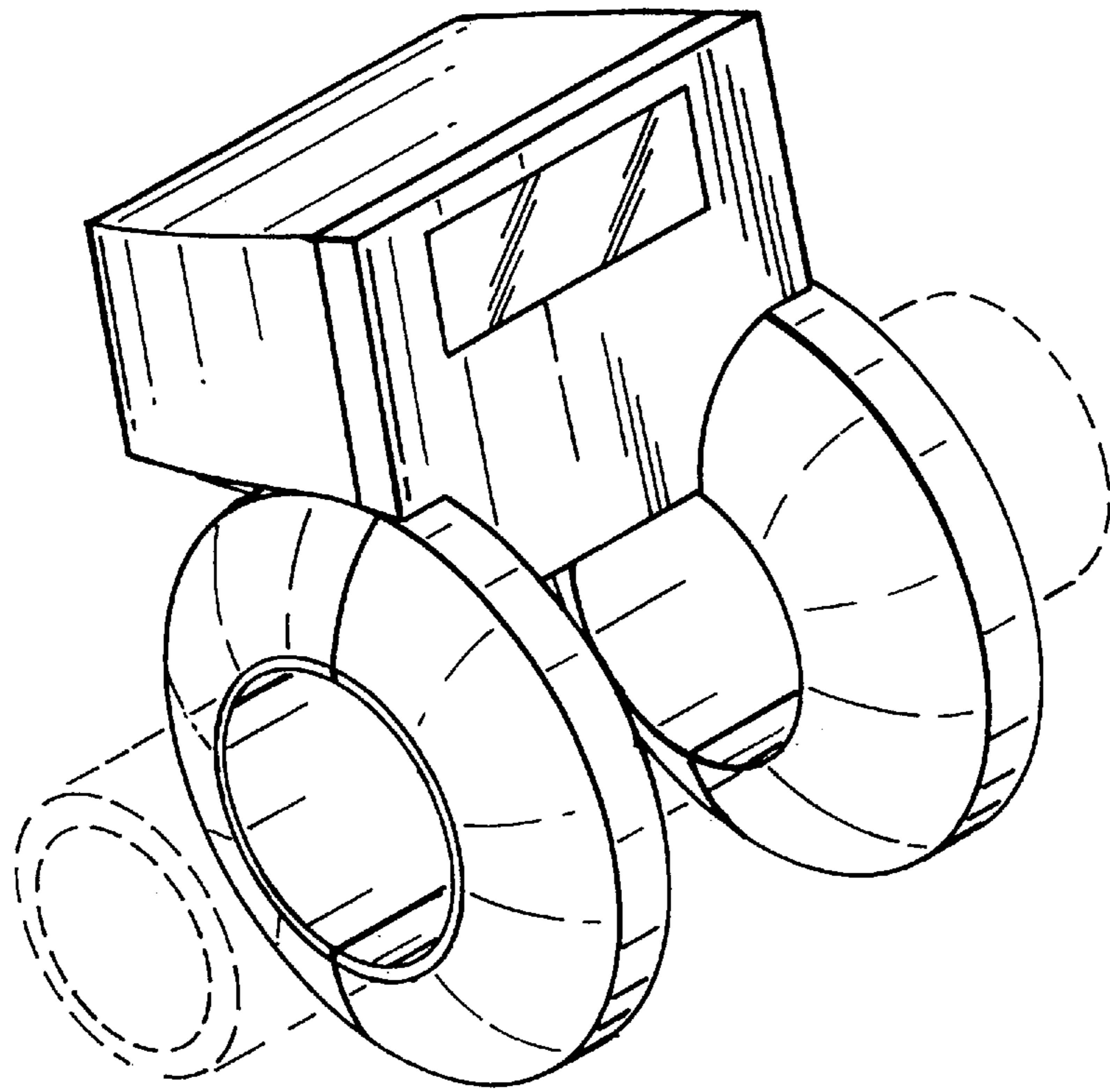


FIG. 1

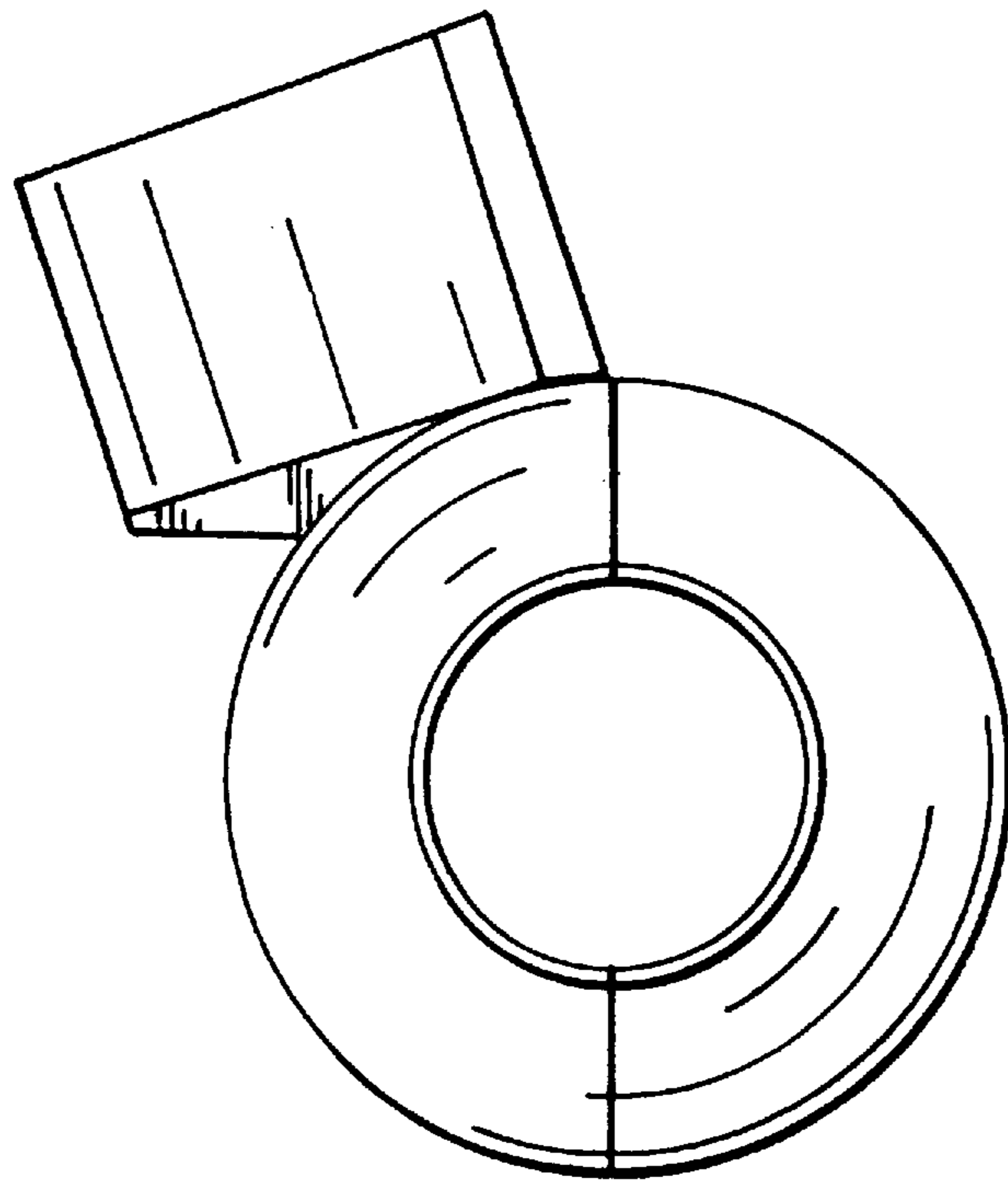


FIG. 2

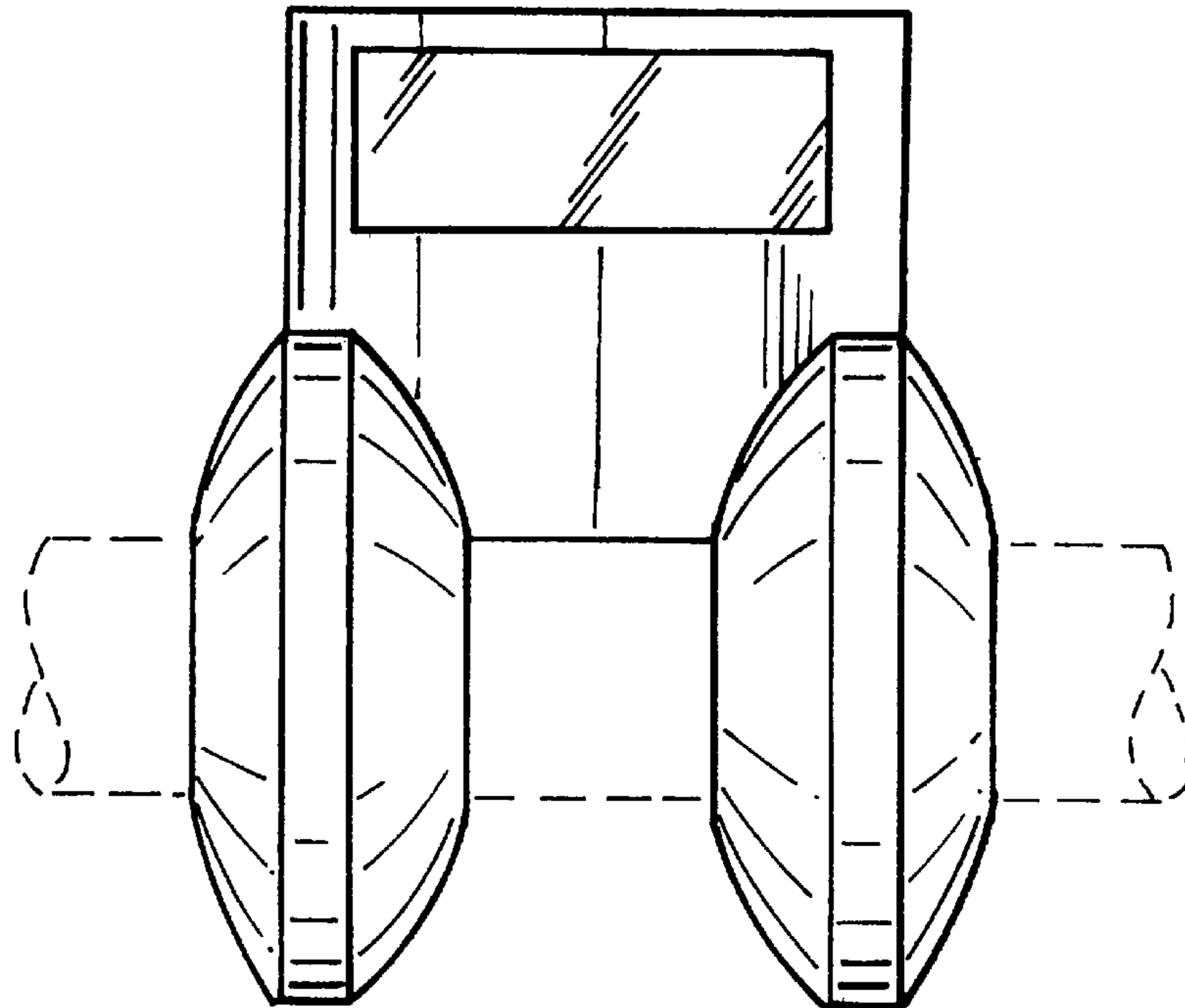


FIG. 3

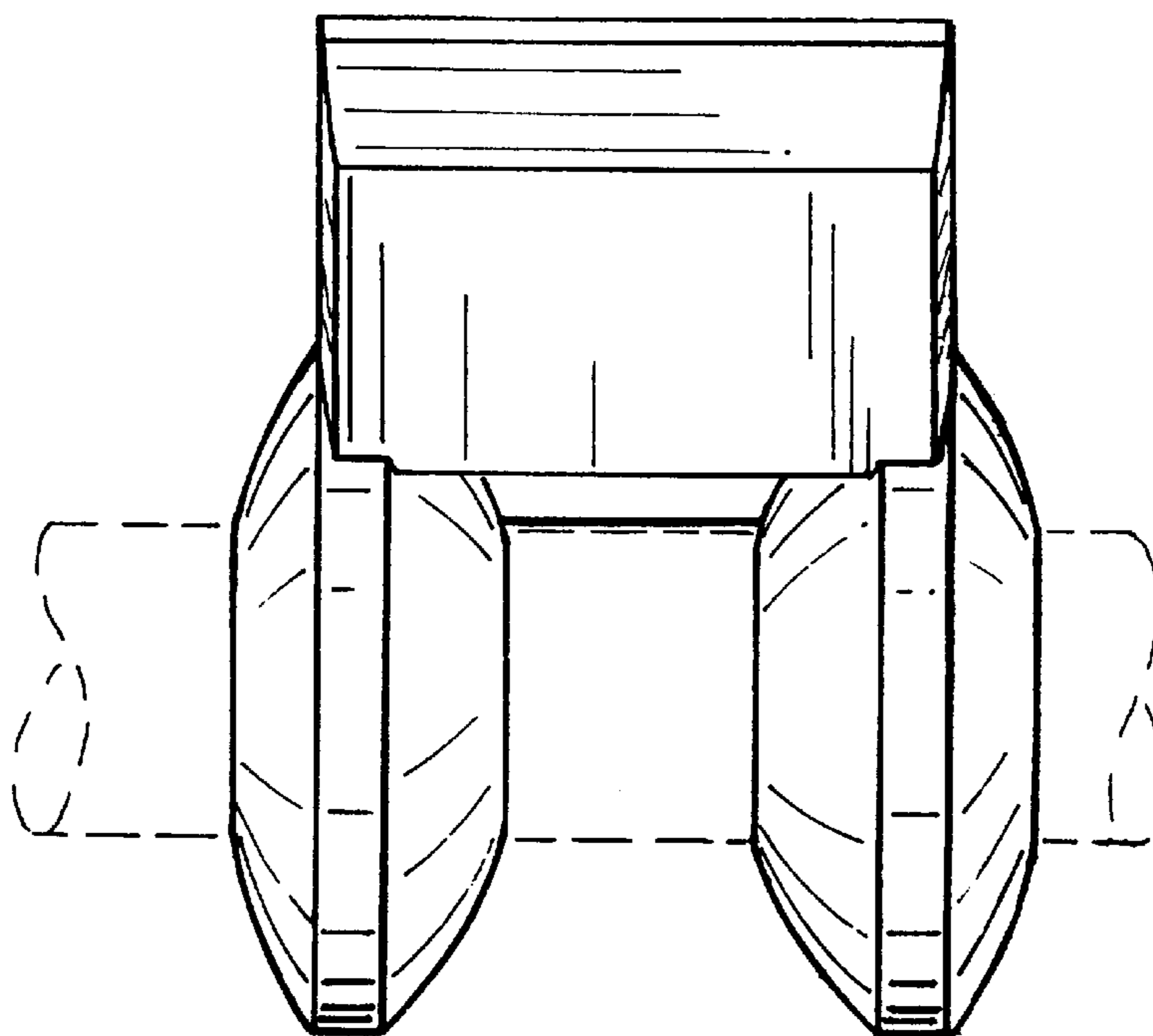


FIG. 4

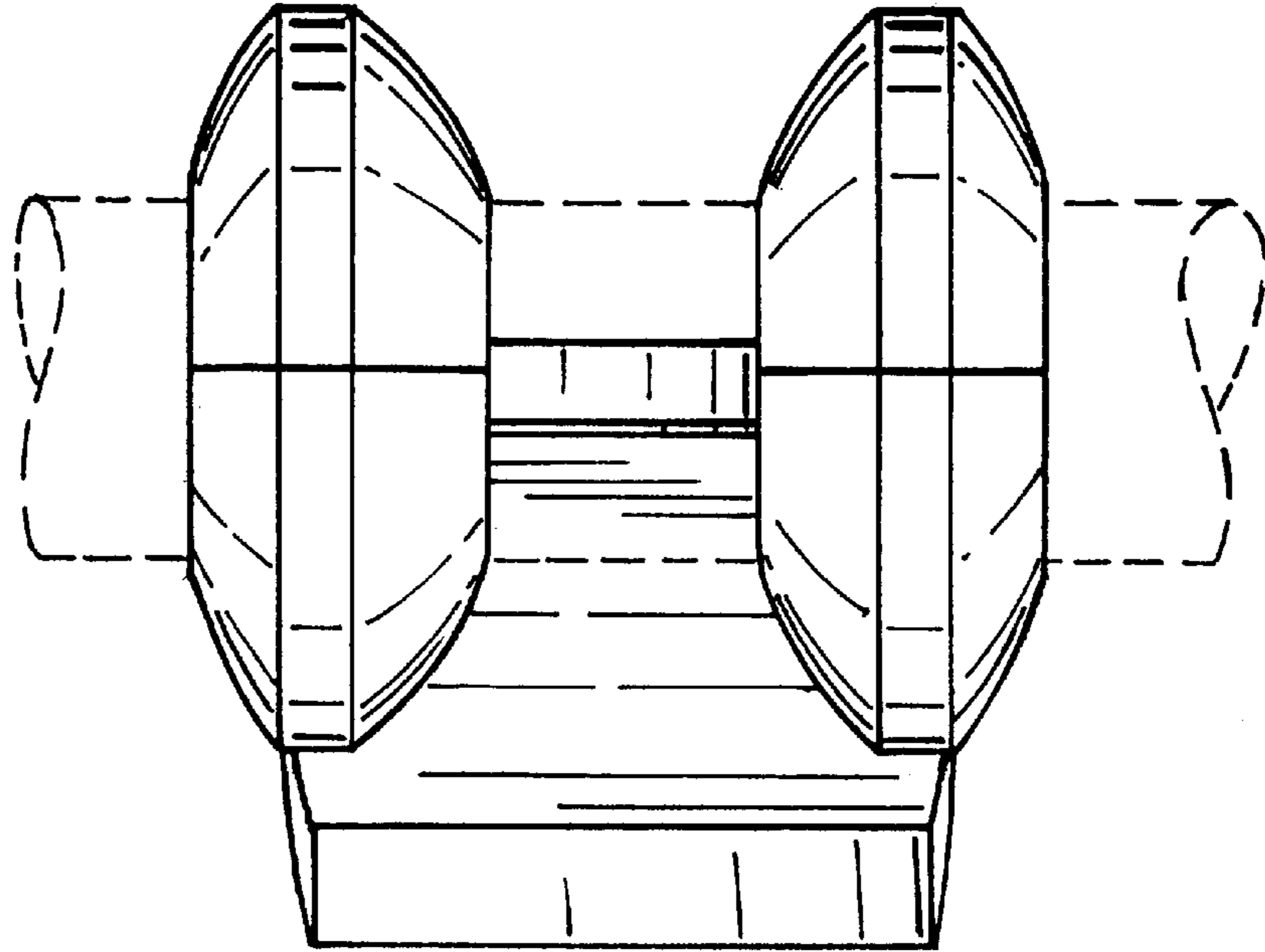


FIG. 5

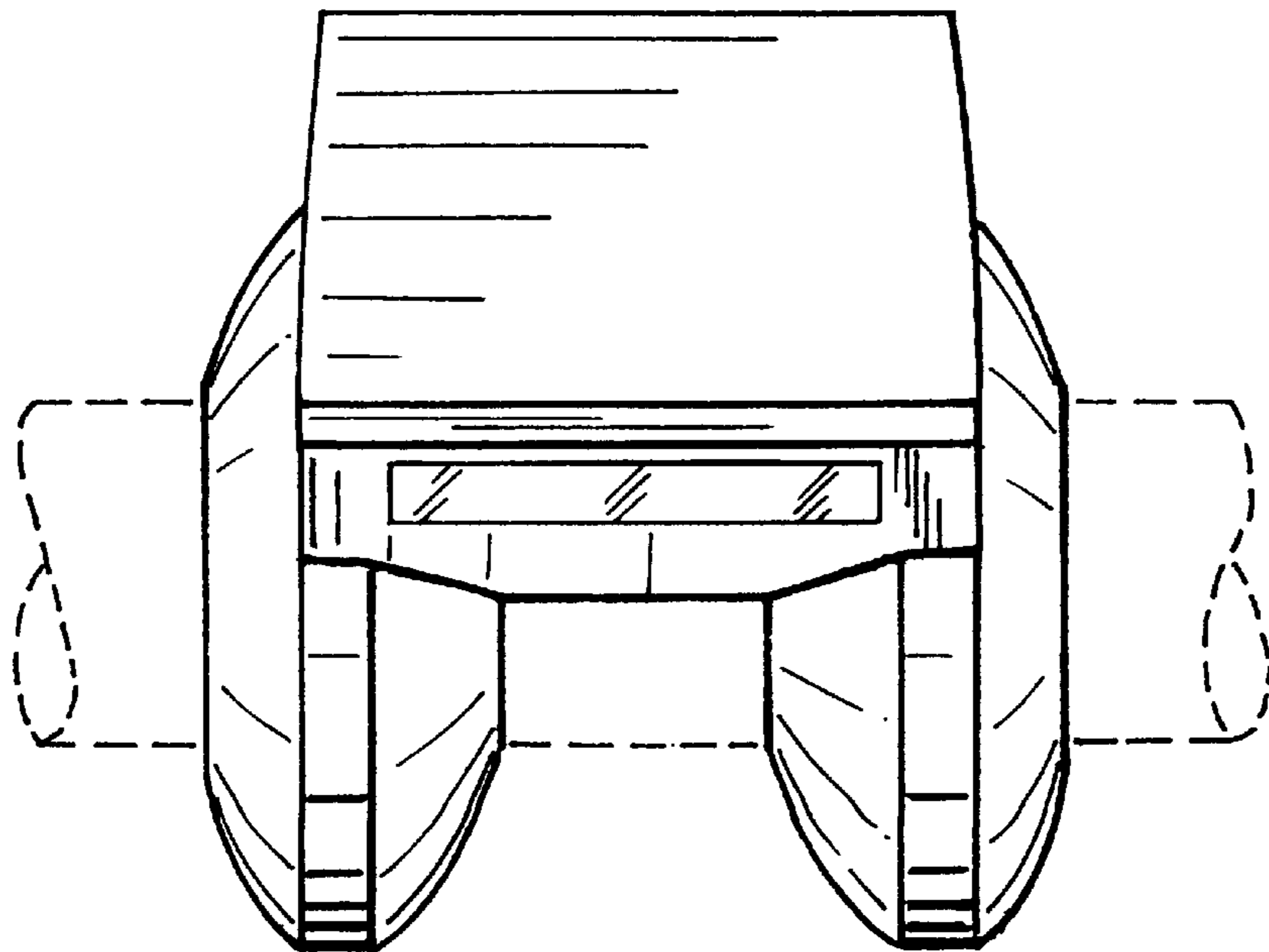


FIG. 6