



US00D442101S

(12) **United States Design Patent**
Kochie

(10) **Patent No.:** **US D442,101 S**

(45) **Date of Patent:** **** May 15, 2001**

(54) **DIGITAL AUTOMOBILE TESTER**
(75) Inventor: **Robert Kochie**, Mantorville, MN (US)
(73) Assignee: **SPX Corporation**, Muskegon, MI (US)
(**) Term: **14 Years**

5,469,049	11/1995	Briese et al.	324/76.77
5,511,108	4/1996	Servet et al.	379/21
5,541,840	7/1996	Gurne et al.	364/424.03
5,729,211 *	3/1998	Reichler et al.	324/72.5
5,825,353	10/1998	Will	345/184
5,834,935	11/1998	Lyford	324/156
5,920,188 *	7/1999	Voorheis et al.	324/72.5
5,981,907	11/1999	Maue	219/203

(21) Appl. No.: **29/123,355**
(22) Filed: **May 17, 2000**

* cited by examiner

Primary Examiner—Antoine Duval Davis
(74) *Attorney, Agent, or Firm*—Pepper Hamilton, LLP

(51) **LOC (7) Cl.** **10-09**
(52) **U.S. Cl.** **D10/78**
(58) **Field of Search** D10/78; 73/431,
73/118.1; 324/158, 133, 72.5, 156, 76.77;
345/184; 379/21, 1, 11, 18, 22, 29, 98;
364/424.03

(57) **CLAIM**

The ornamental design for a digital automobile tester, as shown and described.

DESCRIPTION

(56) **References Cited**
U.S. PATENT DOCUMENTS

D. 316,825 *	5/1991	Becker	D10/78
D. 349,860 *	8/1994	Omuro et al.	D10/78
D. 374,183 *	10/1996	Skinner et al.	D10/78
4,086,531	4/1978	Bernier	324/158
4,298,837	11/1981	Koslar	324/72.5
5,218,290 *	6/1993	Beckert et al.	D10/78 X
5,367,250	11/1994	Whisenand	324/133

FIG. 1 is a perspective view of a digital automobile tester showing my new design;
FIG. 2 is a front elevational view thereof;
FIG. 3 is a rear elevational view thereof;
FIG. 4 is a left side elevational view thereof;
FIG. 5 is a right side elevational view thereof;
FIG. 6 is a bottom plan view thereof; and,
FIG. 7 is a top plan view thereof.

1 Claim, 6 Drawing Sheets

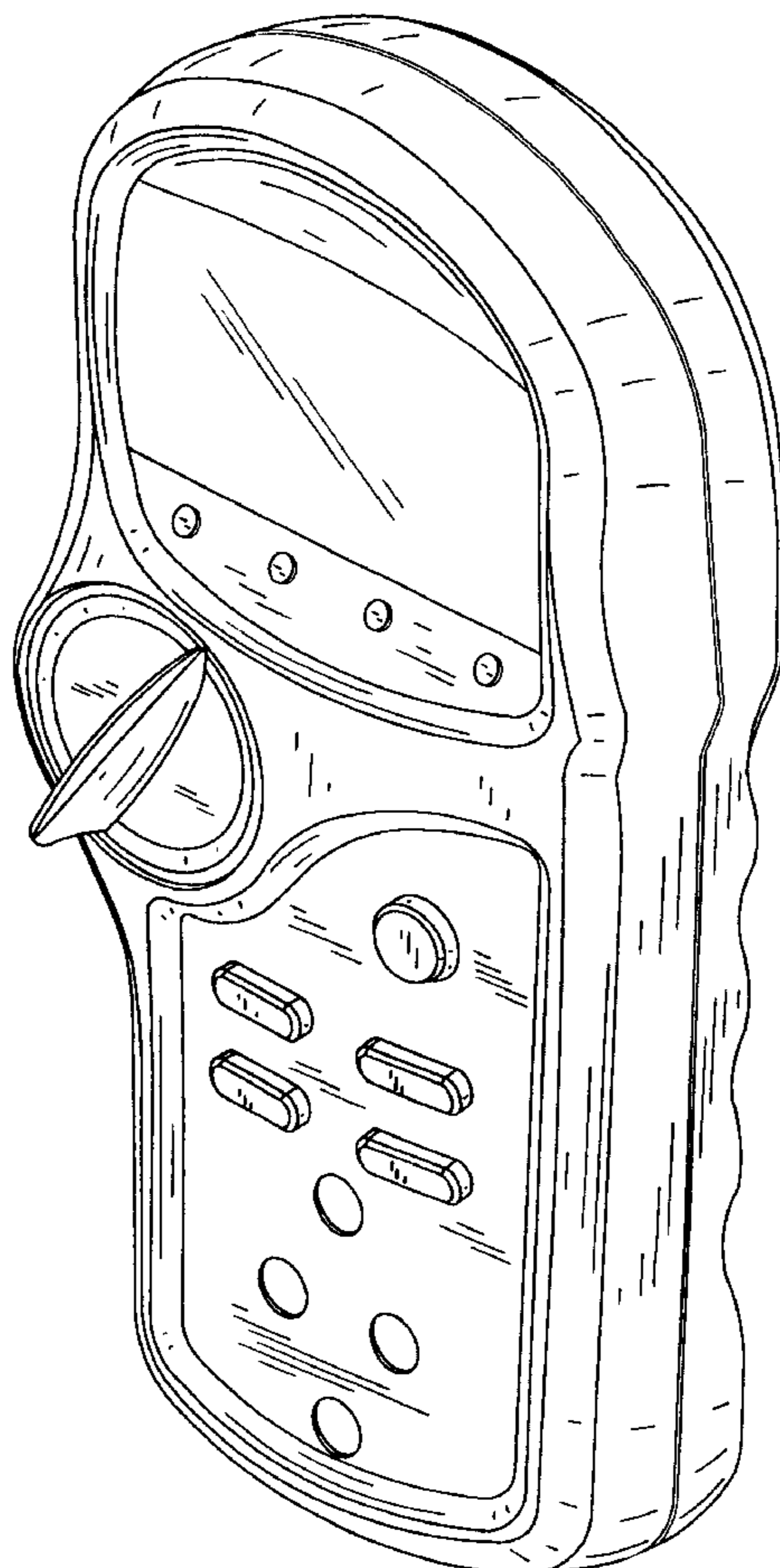


FIG. 1

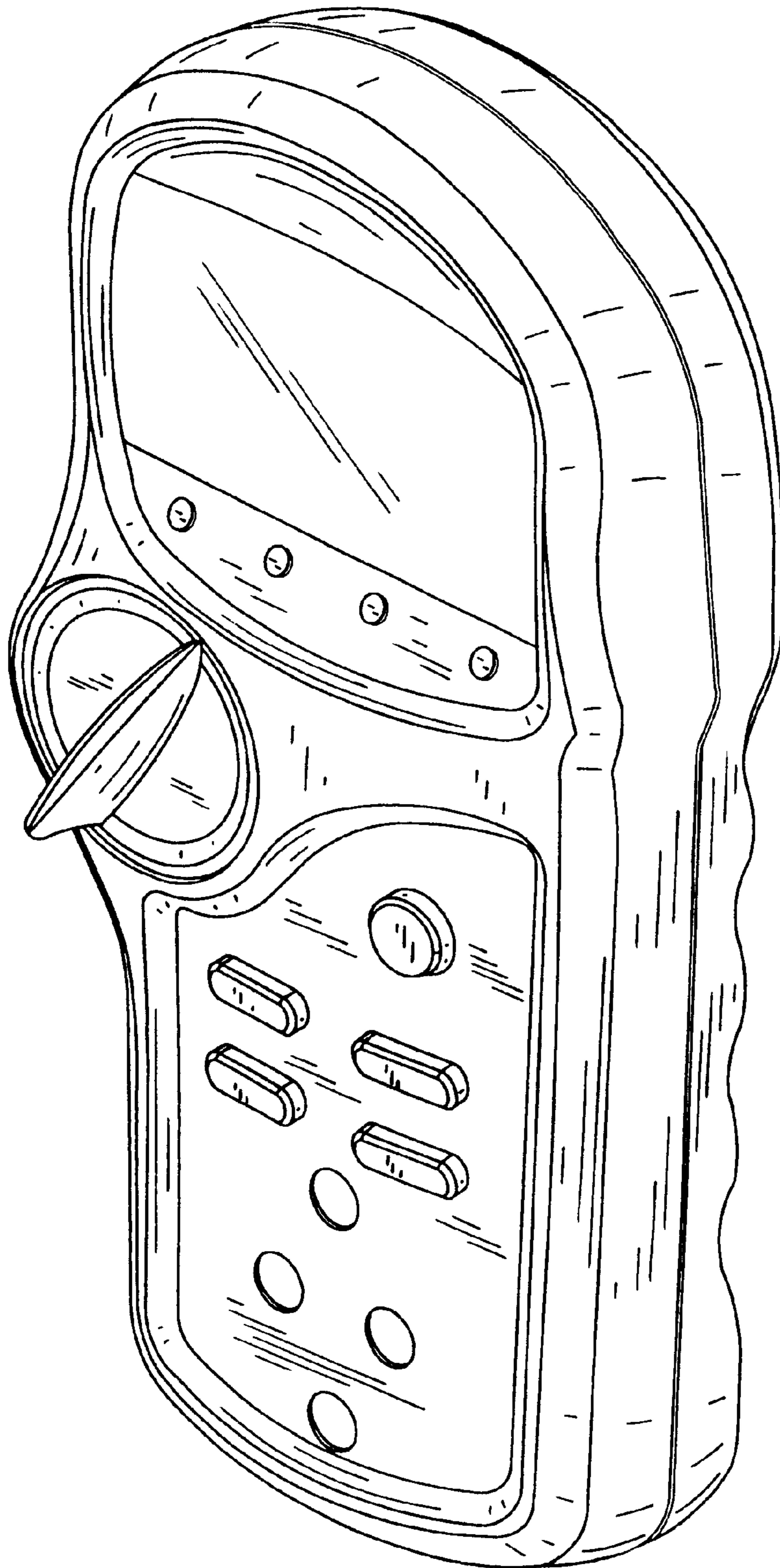


FIG. 2

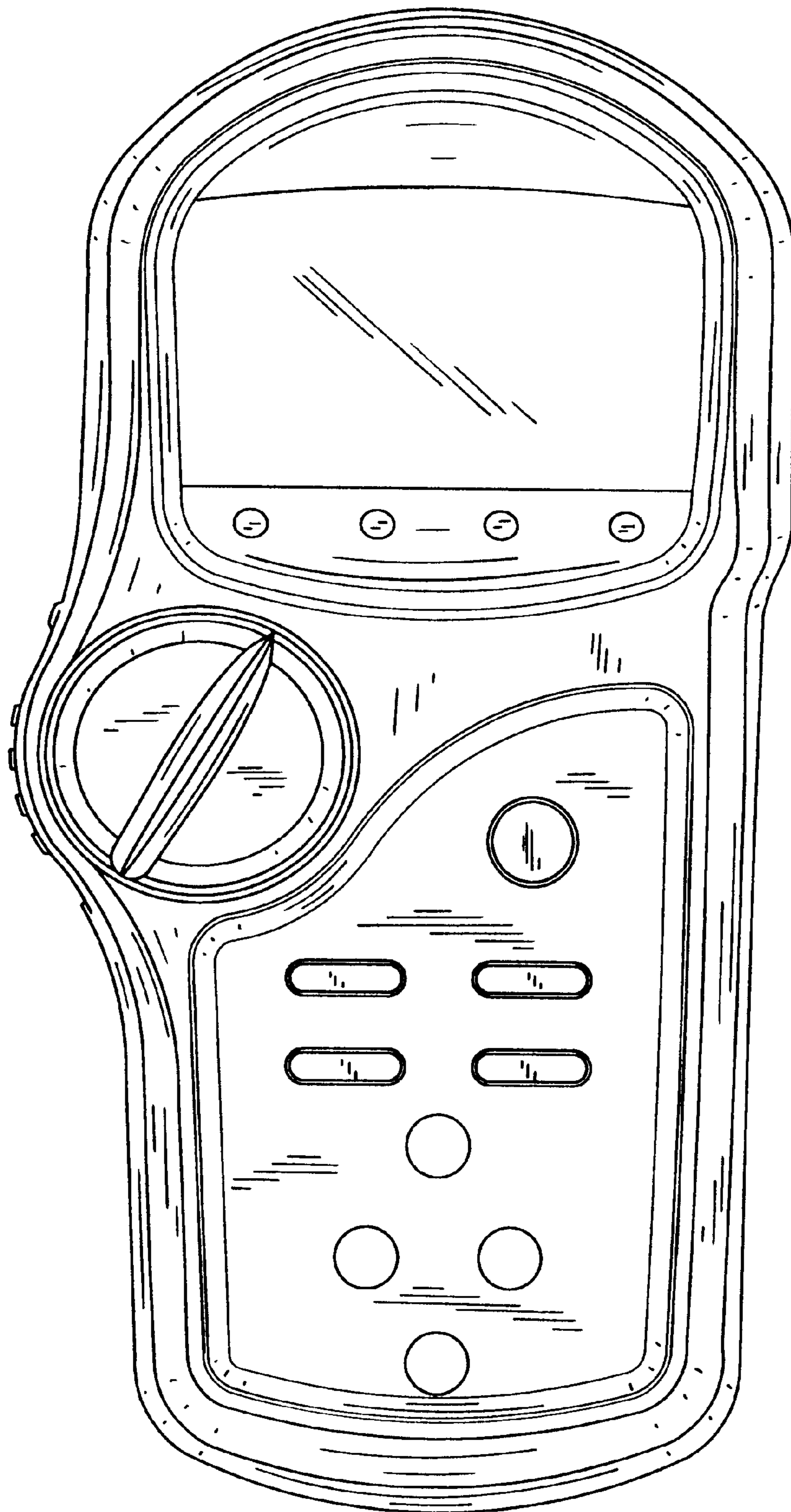


FIG. 3

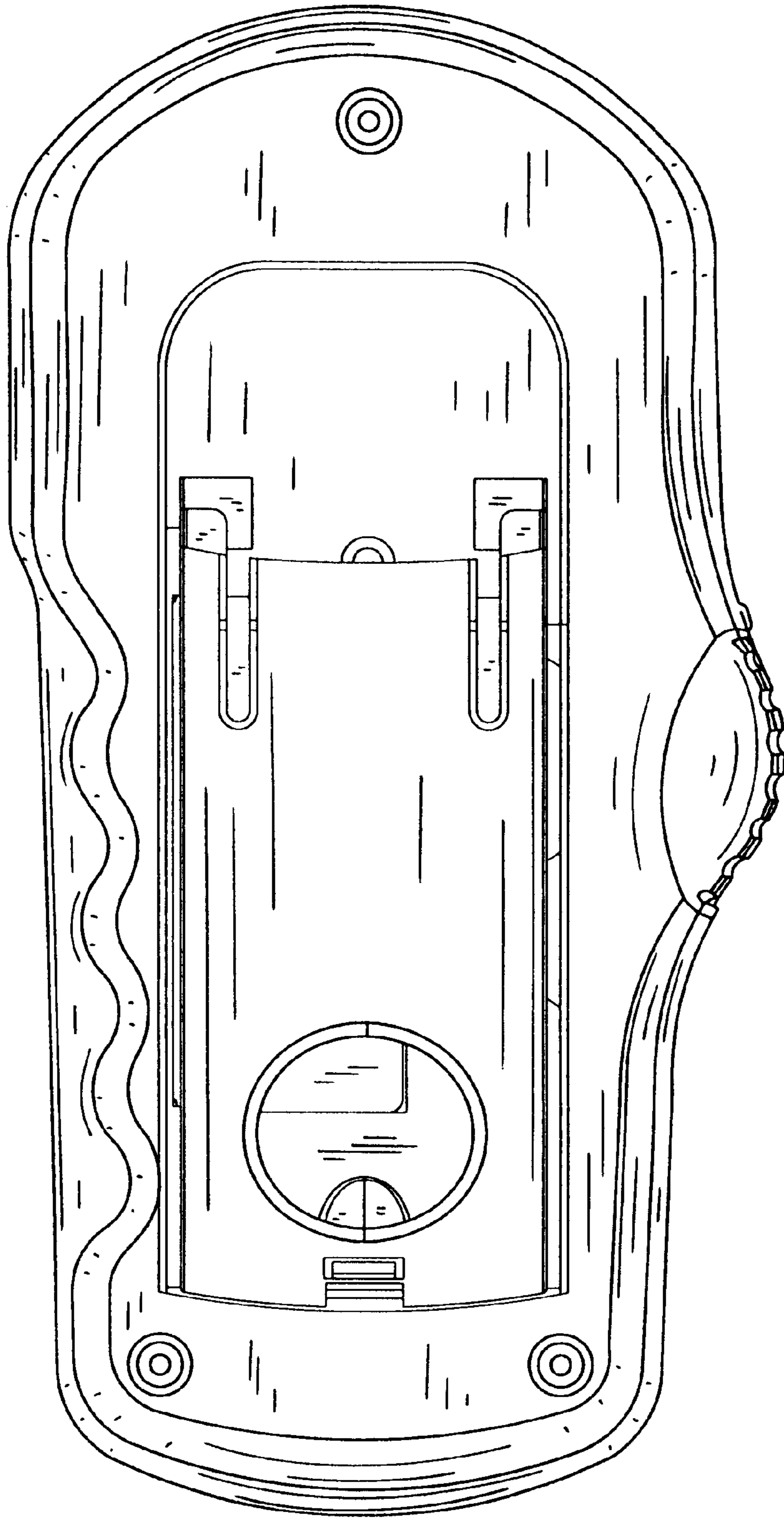


FIG. 4

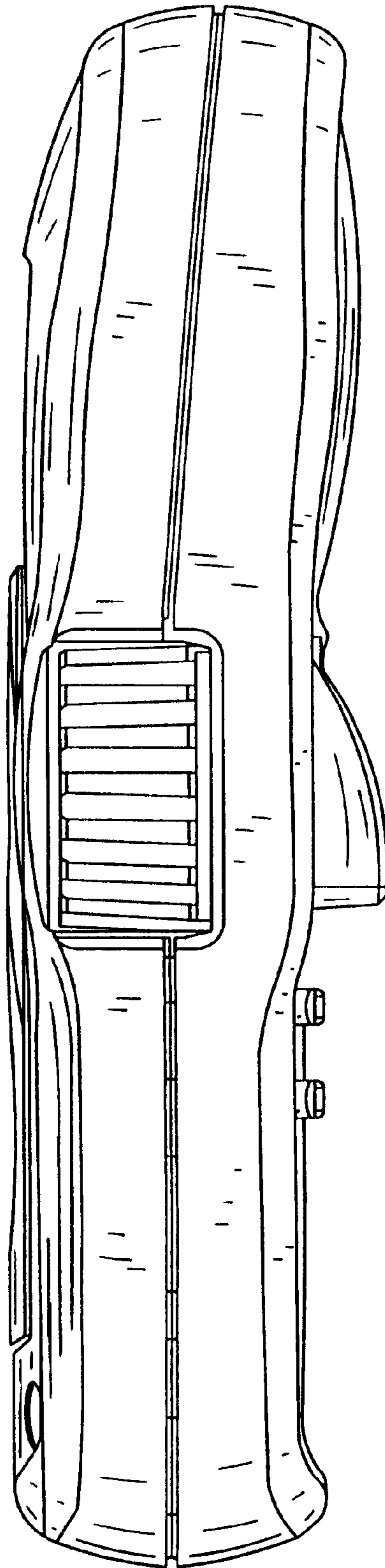


FIG. 5

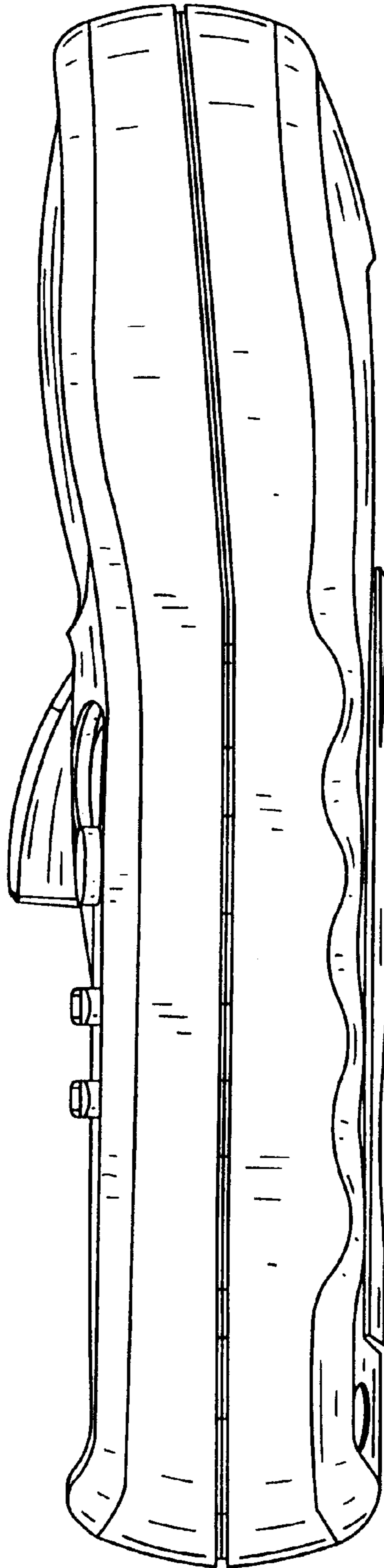


FIG. 6

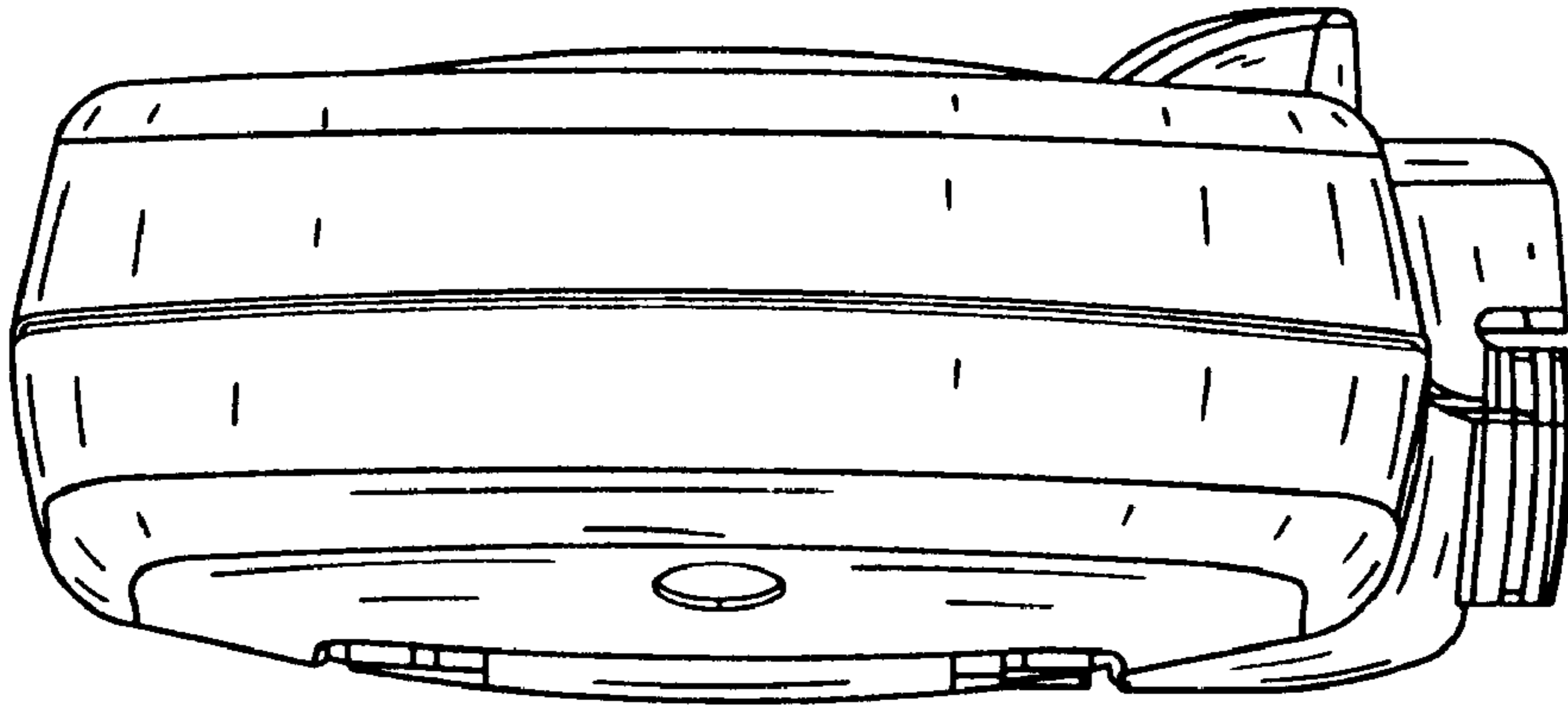


FIG. 7

