



US00D442100S

(12) **United States Design Patent**
Blair et al.

(10) **Patent No.:** **US D442,100 S**

(45) **Date of Patent:** **** May 15, 2001**

(54) **CAPACITY GAUGE**

6,121,753 * 9/2000 Walker et al. 320/132

(75) Inventors: **Dwight Nelson Blair**, Suwanee; **David Alan Brammer**, Atlanta; **David Scott Rowley**, Powder Springs; **Lloyd James McIntyre**, Suwanee; **Keith Andrew Schiesser**, Duluth, all of GA (US)

* cited by examiner

Primary Examiner—Antoine Duval Davis
(74) *Attorney, Agent, or Firm*—Troutman Sanders, LLP; Charles L. Warner

(73) Assignee: **Enrev Corporation**, Norcross, GA (US)

(57) **CLAIM**

The ornamental design for a capacity gauge, as shown and described.

(**) Term: **14 Years**

DESCRIPTION

(21) Appl. No.: **29/125,296**

FIG. 1 is a isometric or perspective view of our new capacity gauge;

(22) Filed: **Jun. 21, 2000**

FIG. 2 is a bottom elevational view thereof;

(51) **LOC (7) Cl.** **10-04**

FIG. 3 is a top elevational view thereof;

(52) **U.S. Cl.** **D10/77**

FIG. 4 is a left side elevational view thereof;

(58) **Field of Search** D10/77, 78; 320/132, 320/135, 136; 324/427; 347/19

FIG. 5 is a right side elevational view thereof; and,

FIG. 6 is a front top elevational view thereof.

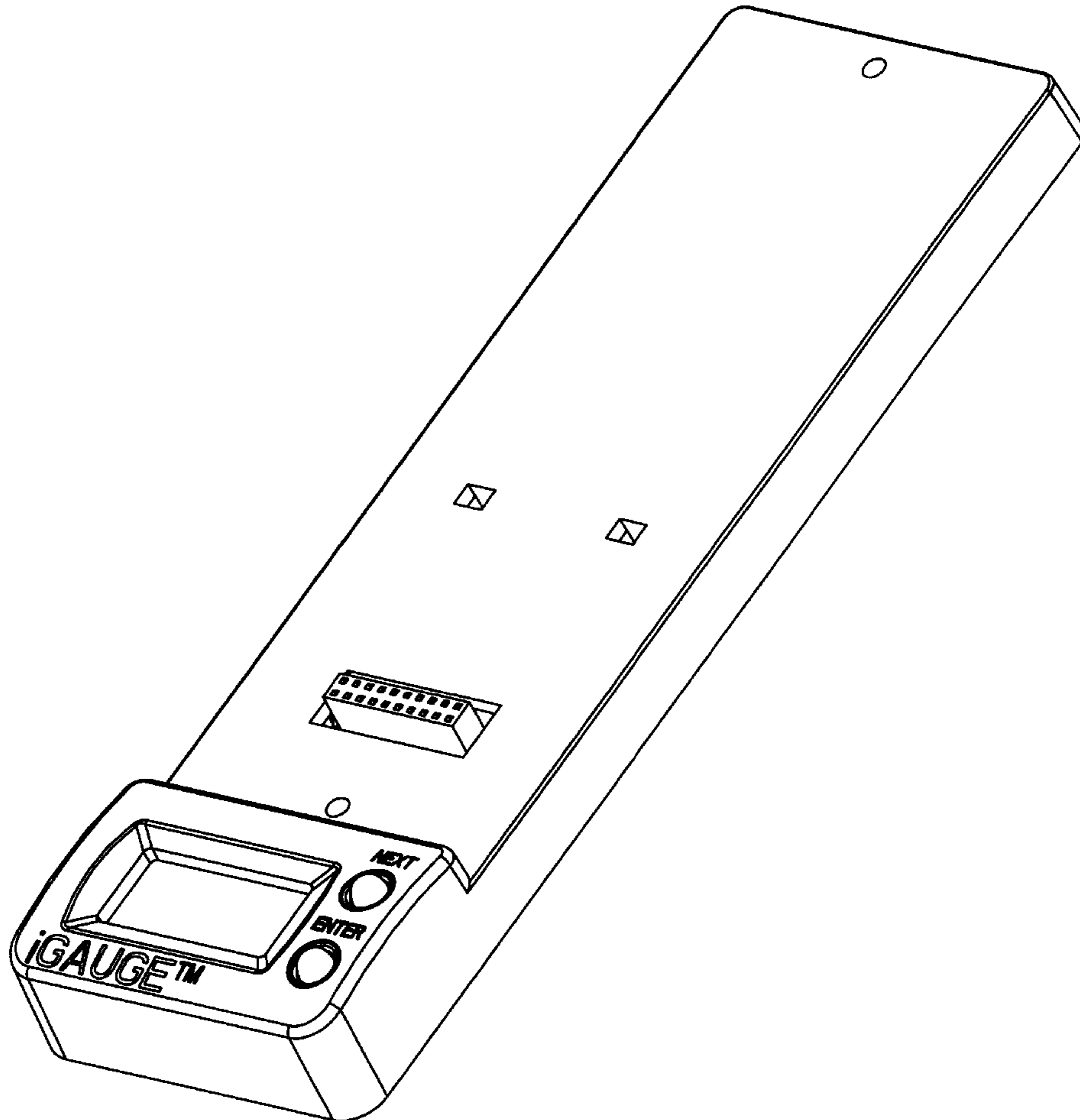
(56) **References Cited**

The bottom of the “capacity gauge” is not seen nor is it intended to be seen as part of this design.

U.S. PATENT DOCUMENTS

D. 278,212 * 4/1985 Schwartz D10/77

1 Claim, 6 Drawing Sheets



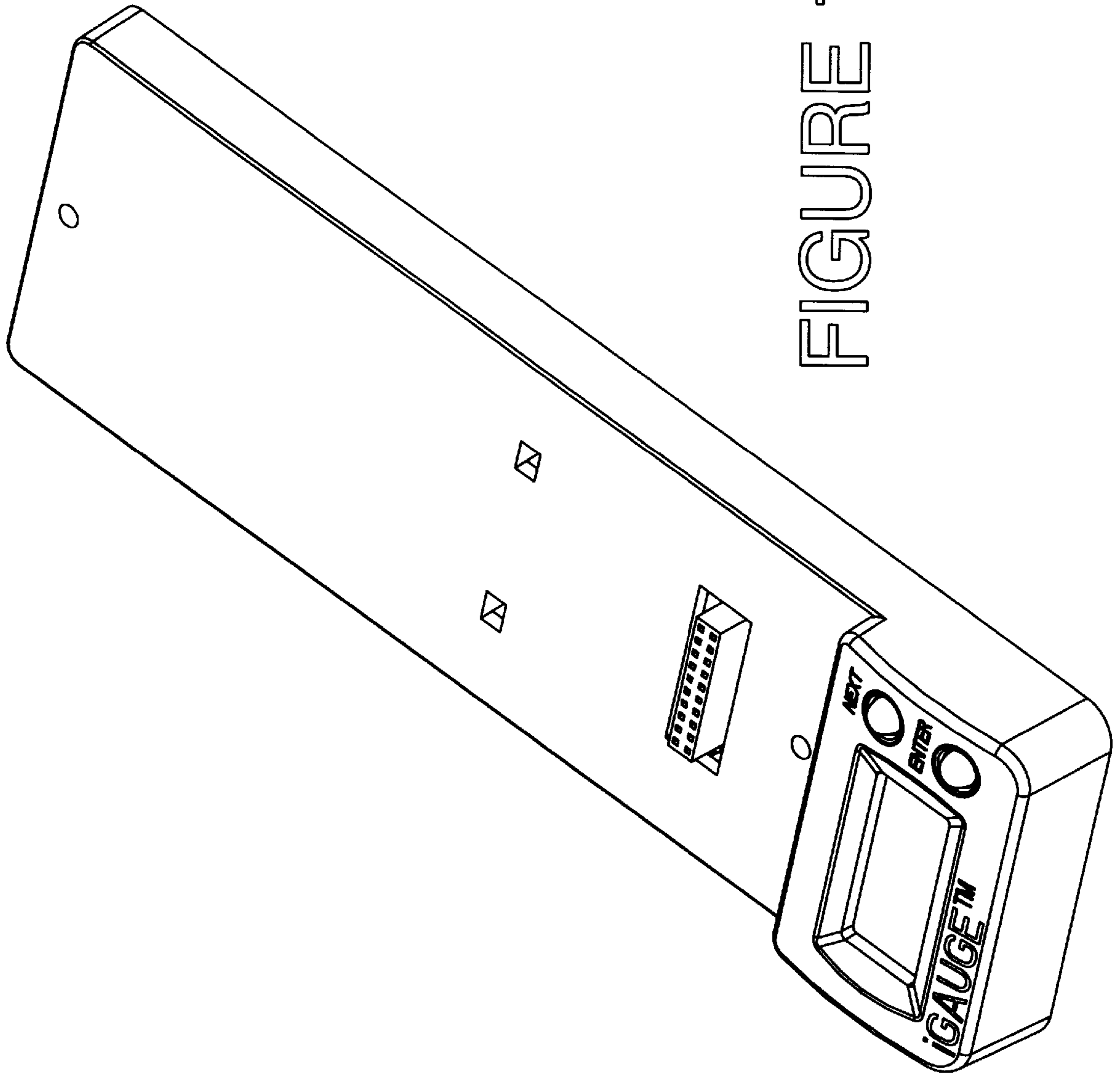


FIGURE 1

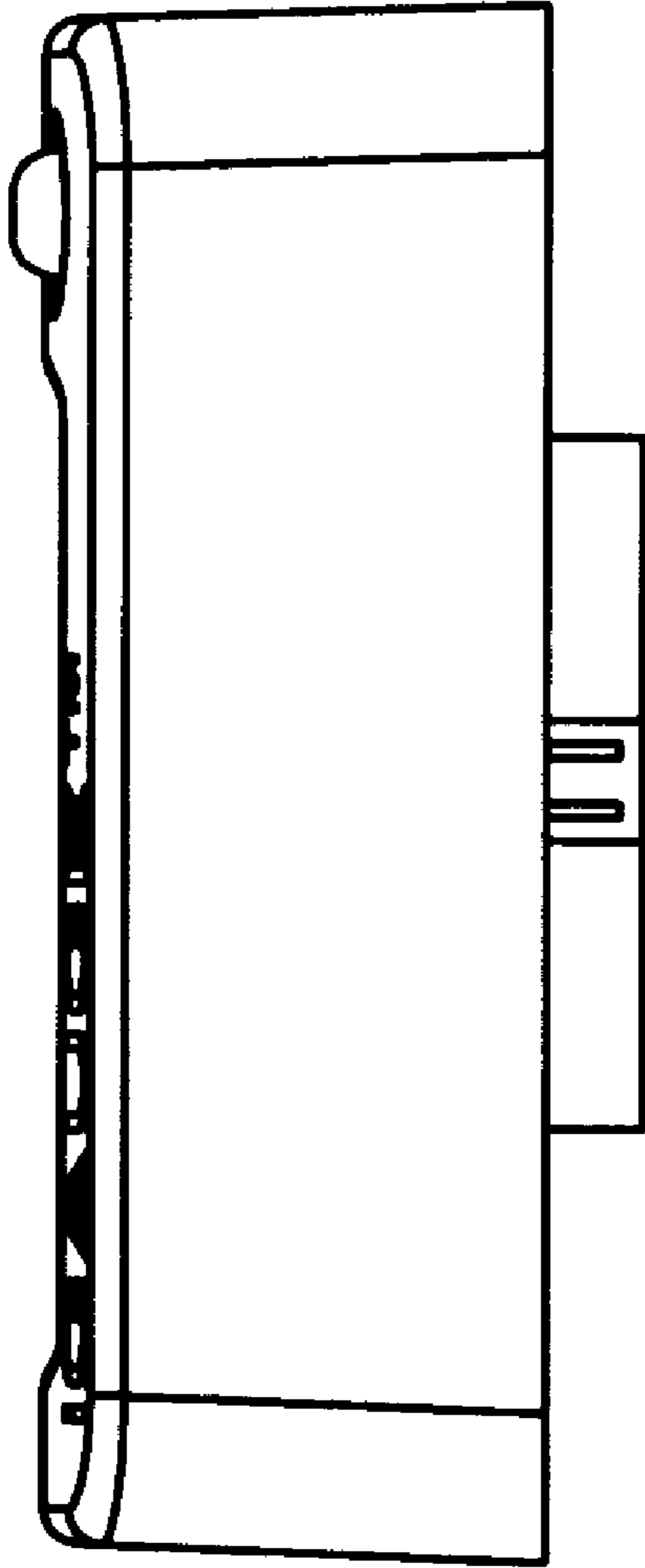


FIGURE 2

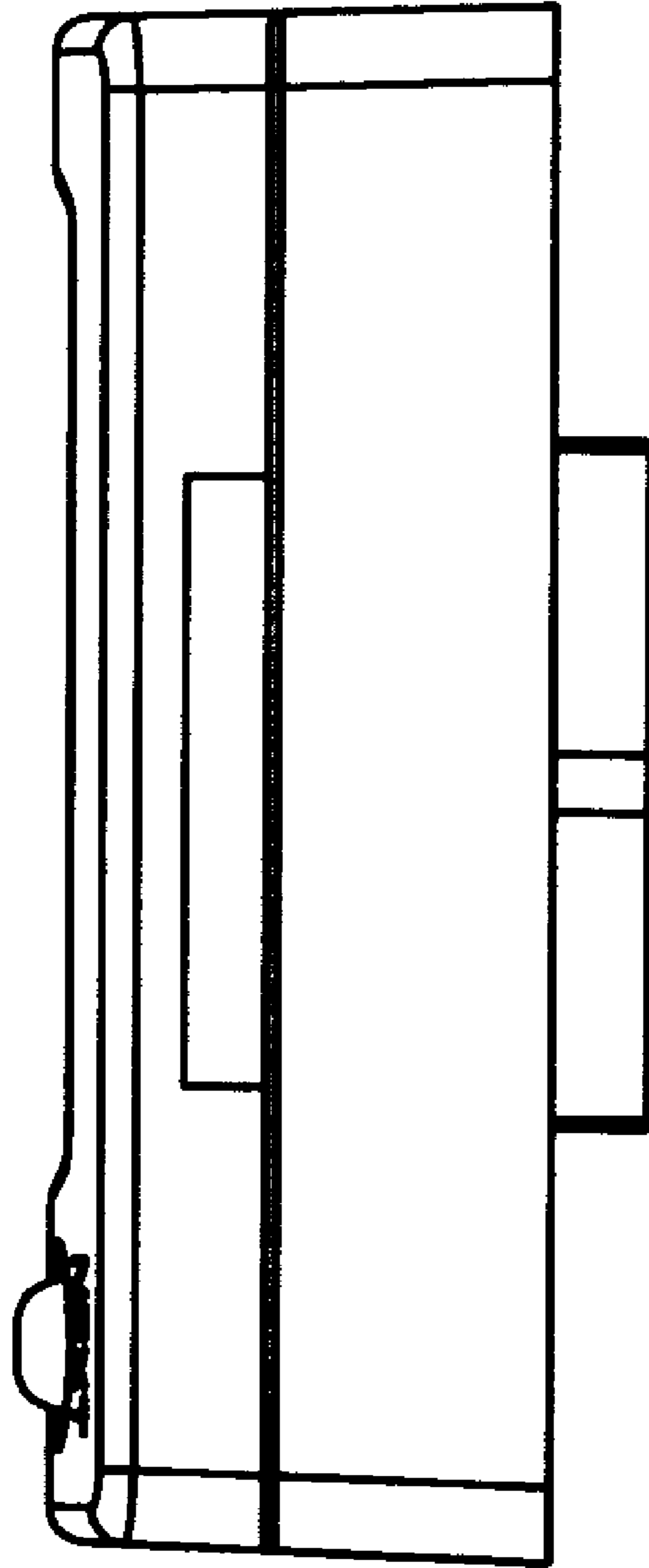


FIGURE 3

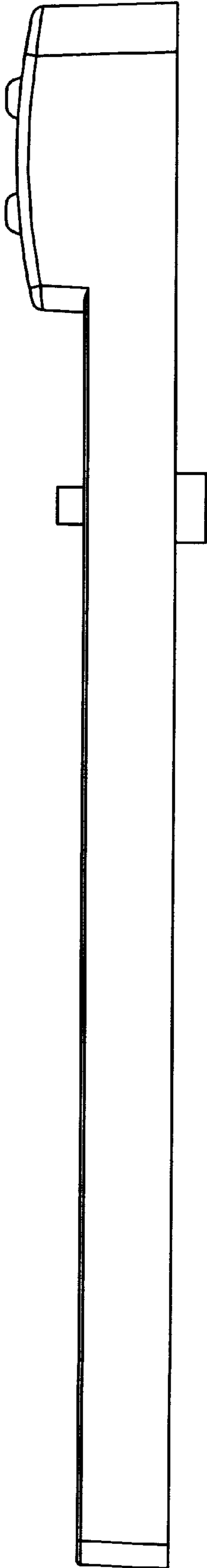


FIGURE 4

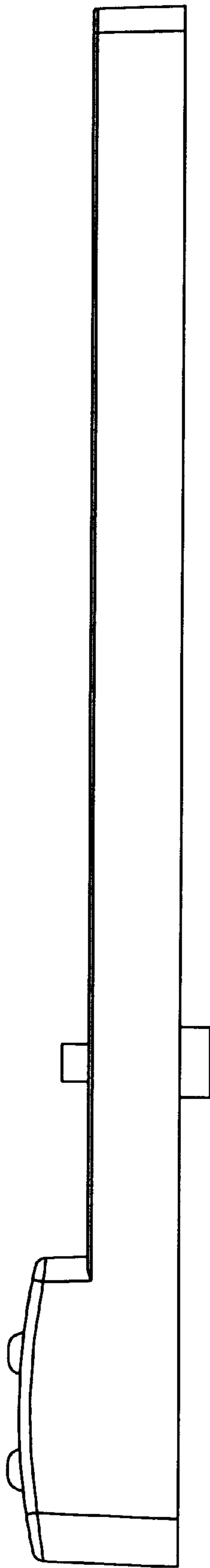


FIGURE 5

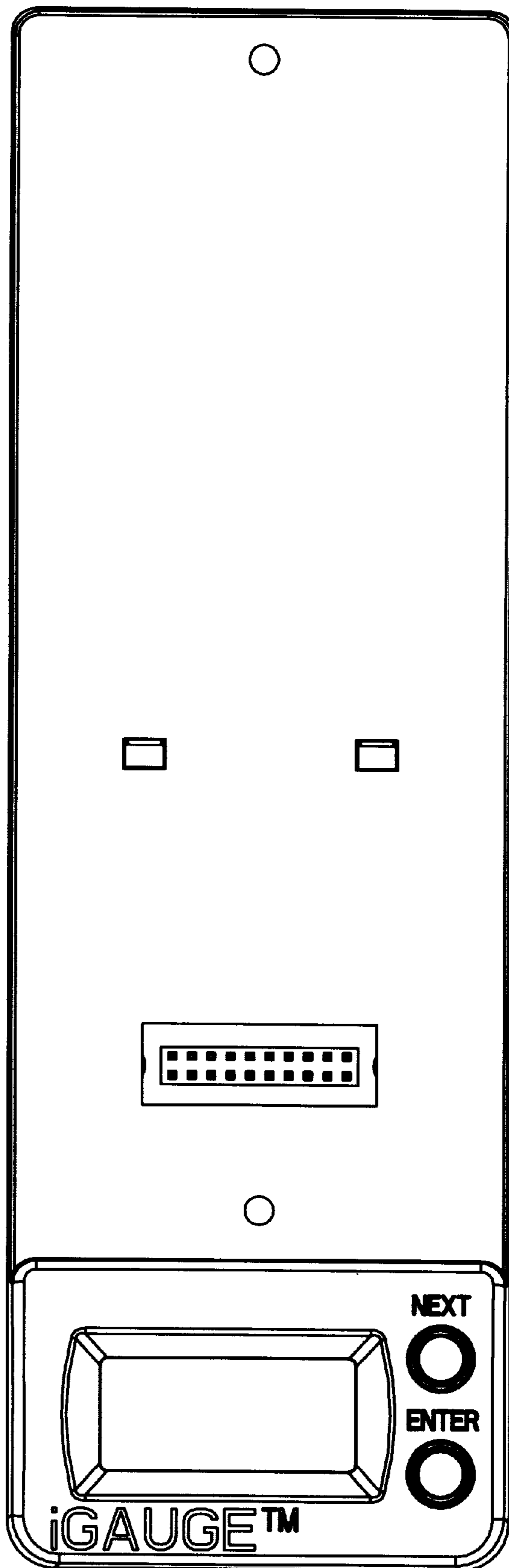


FIGURE 6