



US00D442093S

(12) **United States Design Patent**
Fuchs

(10) **Patent No.:** **US D442,093 S**

(45) **Date of Patent:** **** May 15, 2001**

(54) **WATCH**

(75) **Inventor:** **Voker Fuchs, Stuttgart (DE)**

(73) **Assignee:** **Junghans Uhren GmbH, Schramberg (DE)**

(**) **Term:** **14 Years**

(21) **Appl. No.:** **29/100,055**

(22) **Filed:** **Feb. 3, 1999**

(30) **Foreign Application Priority Data**

Aug. 5, 1998 (DE) 4 98 07 753

(51) **LOC (7) Cl.** **10-02**

(52) **U.S. Cl.** **D10/39**

(58) **Field of Search** D10/1-40, 122-132;
D11/3-25; 63/1.1, 3, 5, 11; 368/276-277,
280-282, 285

(56) **References Cited**

U.S. PATENT DOCUMENTS

- D. 370,420 * 6/1996 Rousseau D10/32
- D. 386,697 * 11/1997 Wunderman D10/32
- D. 390,127 * 2/1998 Kennedy D10/32

- D. 398,859 * 9/1998 Kennedy D10/30
- D. 406,773 * 3/1999 Gueit et al. D10/32
- D. 408,745 * 4/1999 Charriol D10/32

* cited by examiner

Primary Examiner—Nelson C. Holtje

(74) *Attorney, Agent, or Firm*—Burns, Doane, Swecker & Mathis, L.L.P.

(57) **CLAIM**

The ornamental design for a watch, as shown and described.

DESCRIPTION

FIG. 1 is a right front perspective view of a watch showing my new design;
 FIG. 2 is a left front perspective view thereof;
 FIG. 3 is a front elevational view thereof;
 FIG. 4 is a right front perspective view thereof in a second environment;
 FIG. 5 is a left front elevational view thereof in a second environment; and,
 FIG. 6 is a front elevational view thereof in a second environment.

The broken line showings of watchbands in FIGS. 1-6 are environmental only and form no part of the claimed design.

1 Claim, 6 Drawing Sheets

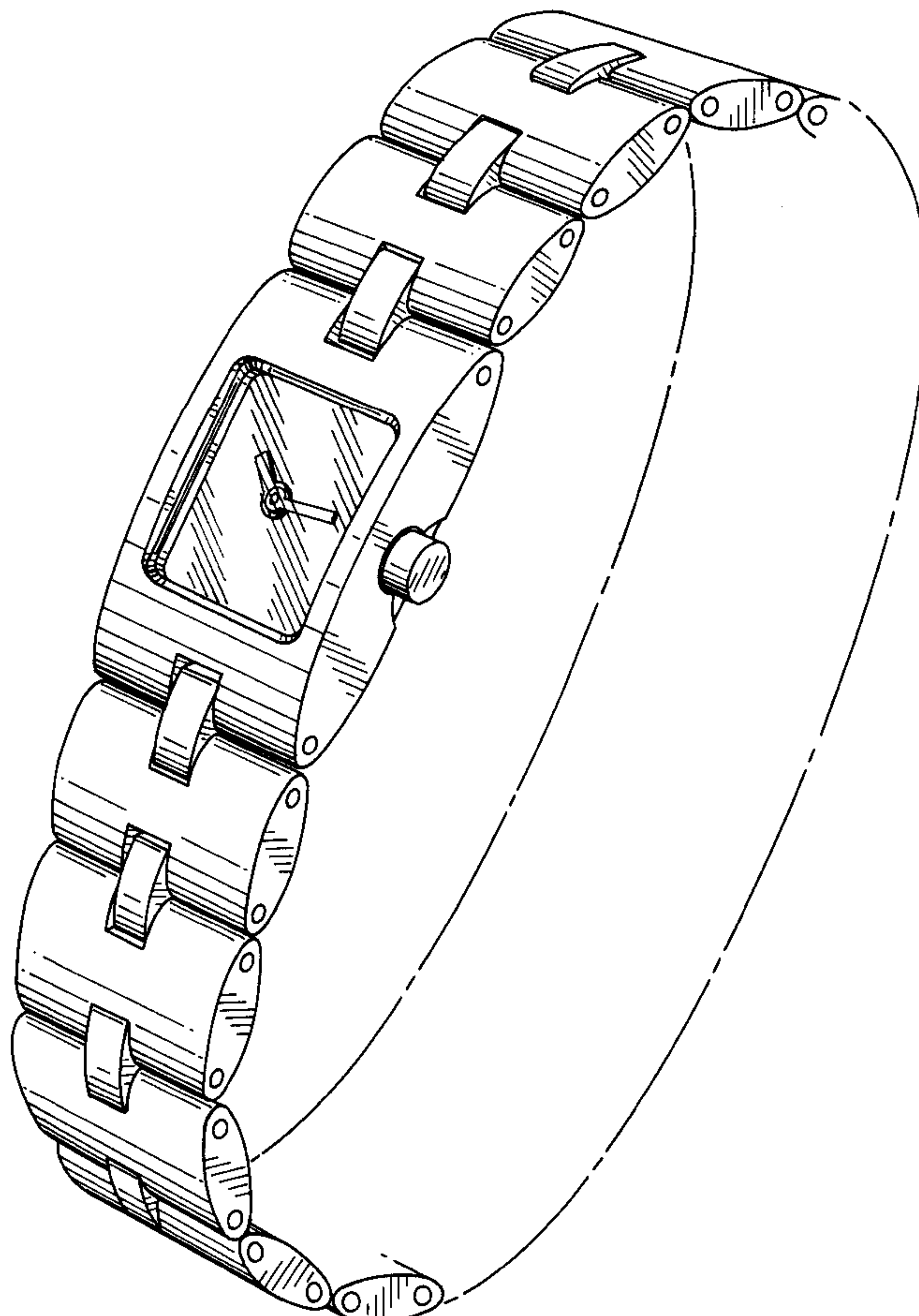


FIG. 1

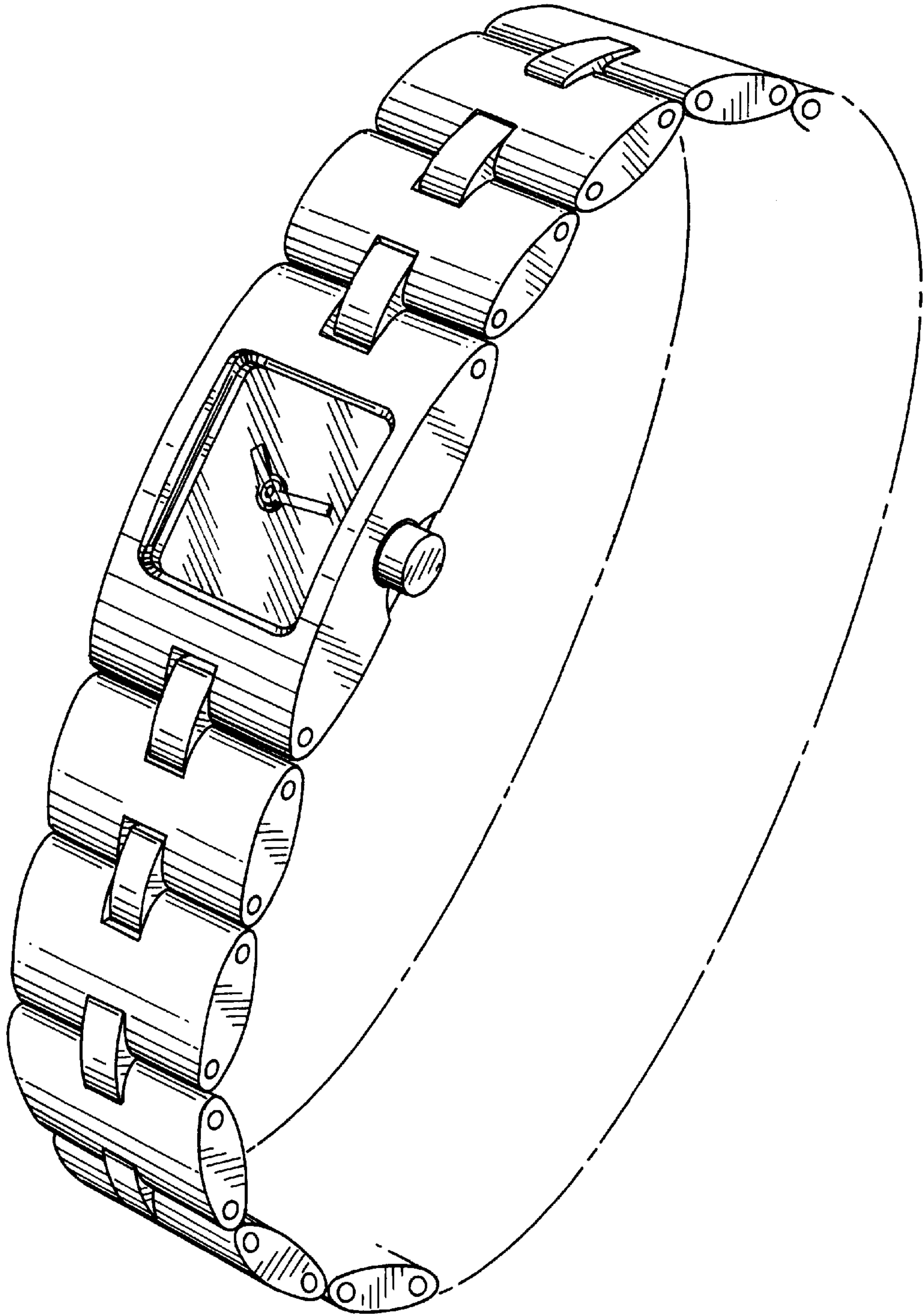


FIG. 2

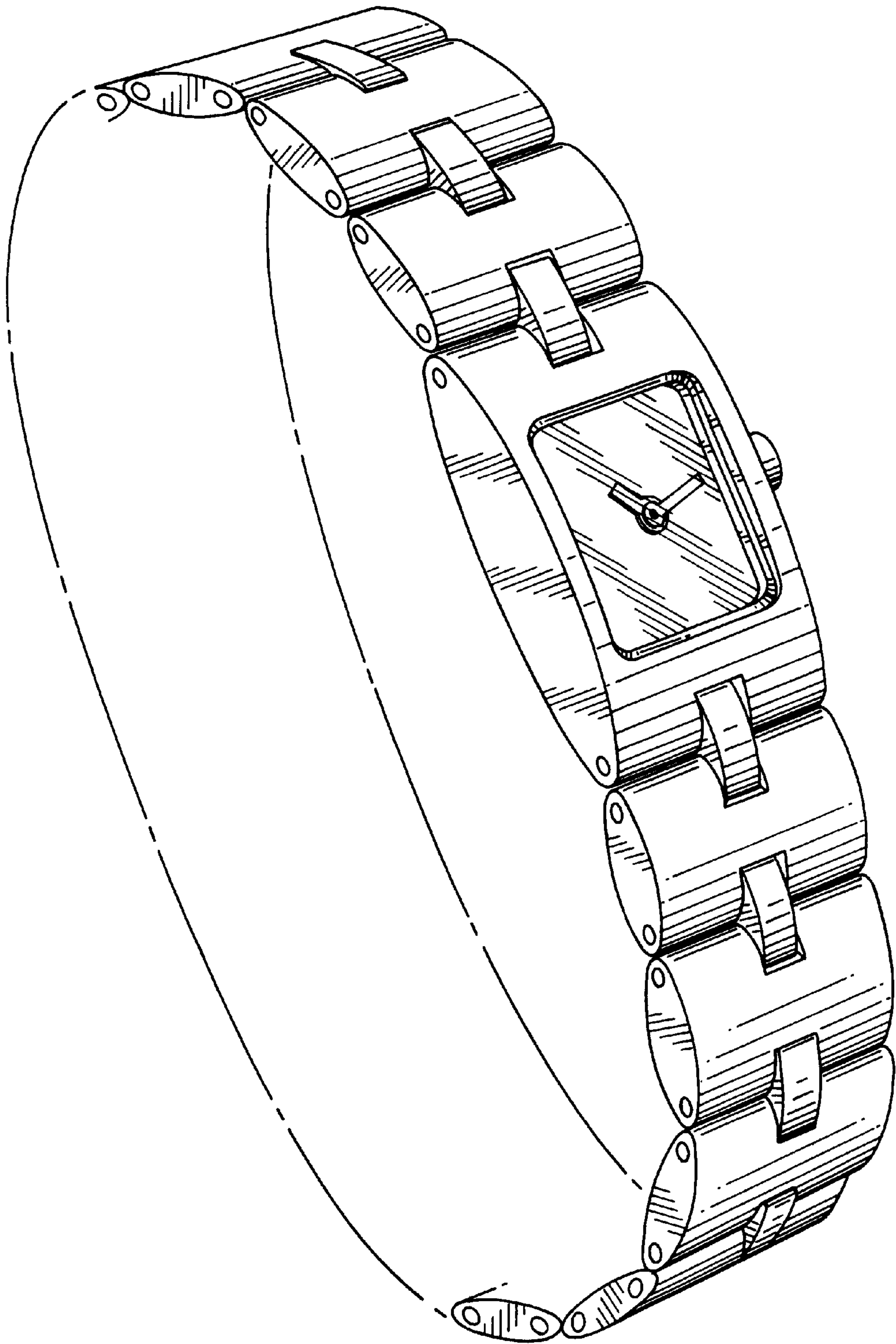


FIG. 3

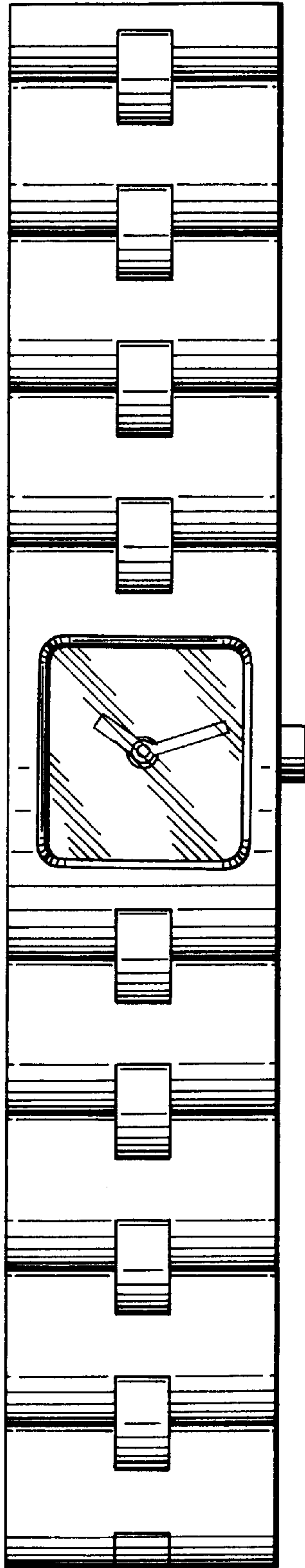


FIG. 4

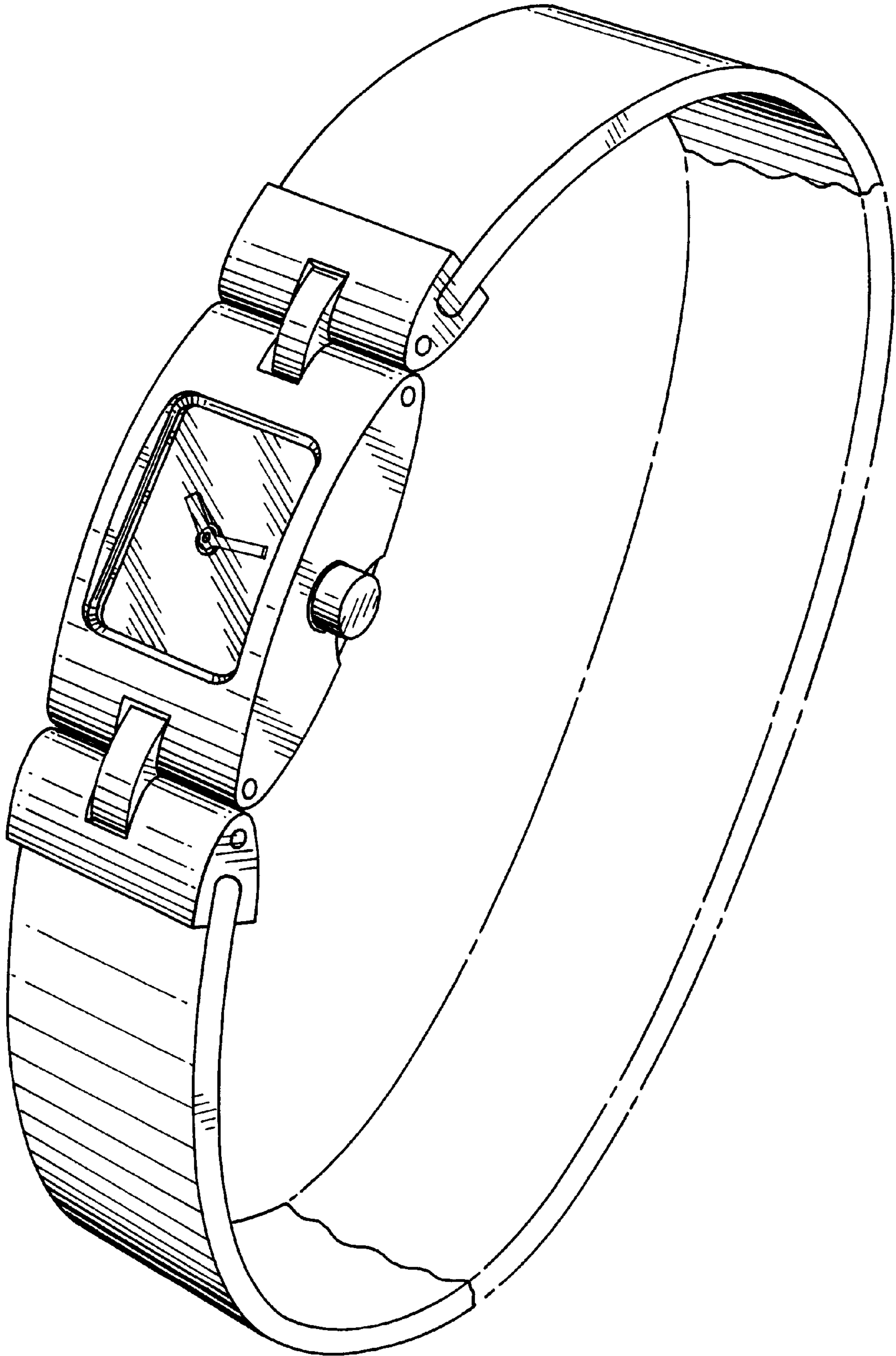


FIG. 5

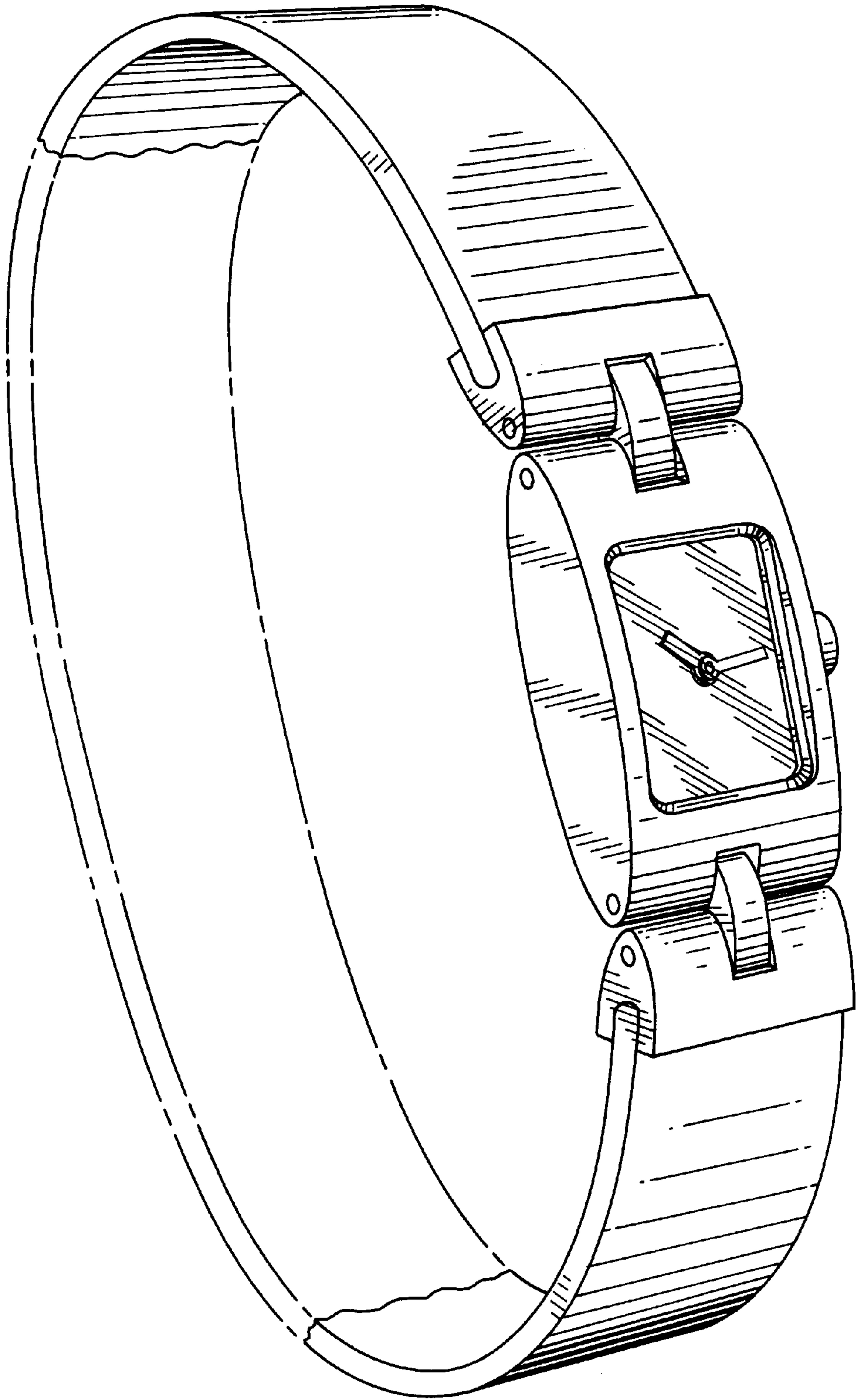


FIG. 6

