



US00D442091S

(12) **United States Design Patent**
Ogg et al.

(10) **Patent No.: US D442,091 S**

(45) **Date of Patent: ** May 15, 2001**

(54) **JUG-STYLE DOME FOR A PLASTIC CONTAINER**

(75) Inventors: **Richard K. Ogg**, Littlestown; **Michael R. Mooney**, Wrightsville, both of PA (US)

(73) Assignee: **Graham Packaging Company, L.P.**, York, PA (US)

(**) Term: **14 Years**

(21) Appl. No.: **29/121,446**

(22) Filed: **Apr. 6, 2000**

Related U.S. Application Data

(62) Division of application No. 29/105,662, filed on May 28, 1999.

(51) **LOC (7) Cl. 09-03**

(52) **U.S. Cl. D9/531; D9/550**

(58) **Field of Search** D9/300, 500, 516-517, D9/520, 522-524, 526-528, 530-531, 533, 536-540, 542, 548-549, 552, 556, 558-559, 564, 569, 572, 574-575; 215/371, 375, 382-383, 396, 398; 220/375, 661, 671-672, 675

(56) **References Cited**

U.S. PATENT DOCUMENTS

| | | | | | |
|------------|---|---------|---------------|-------|--------|
| D. 63,968 | * | 2/1924 | Sears | | D9/550 |
| D. 94,936 | * | 3/1935 | Ahrens | | D9/563 |
| D. 104,179 | * | 4/1937 | Berk | | D9/536 |
| D. 104,657 | * | 5/1937 | Fuerst et al. | | D9/536 |
| D. 111,226 | * | 9/1938 | Runnels | | D9/550 |
| D. 162,559 | * | 3/1951 | Meshberg | | D9/556 |
| D. 186,413 | * | 10/1959 | Vuilleminot | | D9/542 |
| D. 212,590 | * | 11/1968 | Kassiu | | D9/542 |
| D. 252,671 | * | 8/1979 | Strand | | D9/542 |
| D. 295,499 | * | 5/1988 | LeFevre | | D9/556 |

| | | | | | |
|------------|---|---------|---------------------|-------|---------|
| D. 331,881 | | 12/1992 | Garver et al. | | D9/553 |
| D. 340,190 | | 10/1993 | Skidmore et al. | | D9/542 |
| D. 382,485 | * | 8/1997 | Krishnakumar et al. | | D9/569 |
| D. 391,168 | | 2/1998 | Ogg | | D9/538 |
| D. 393,209 | * | 4/1998 | Steih et al. | | D9/542 |
| D. 407,971 | * | 4/1999 | Jackson et al. | | D9/545 |
| D. 421,391 | * | 3/2000 | Anderson et al. | | D9/542 |
| 3,066,819 | * | 12/1962 | Cox | | 215/398 |
| 3,589,542 | * | 6/1971 | Dillon | | 215/382 |
| 5,056,674 | | 10/1991 | Swartley | | 215/31 |
| 5,758,790 | * | 6/1998 | Ewing, Jr. | | 215/398 |
| 5,971,184 | * | 10/1999 | Krishnakumar et al. | | 215/382 |
| 6,016,932 | * | 1/2000 | Gaydosh et al. | | 215/382 |

* cited by examiner

Primary Examiner—Ted Shooman

Assistant Examiner—Carol Rademaker

(74) *Attorney, Agent, or Firm*—Howson and Howson

(57) **CLAIM**

The ornamental design for a jug-style dome for a plastic container, as shown and described.

DESCRIPTION

FIG. 1 is a left side elevational view of the jug-style dome of our new design, the right side elevational view being a mirror image thereof;

FIG. 2 is a front elevational view of the jug-style dome illustrated in FIG. 1;

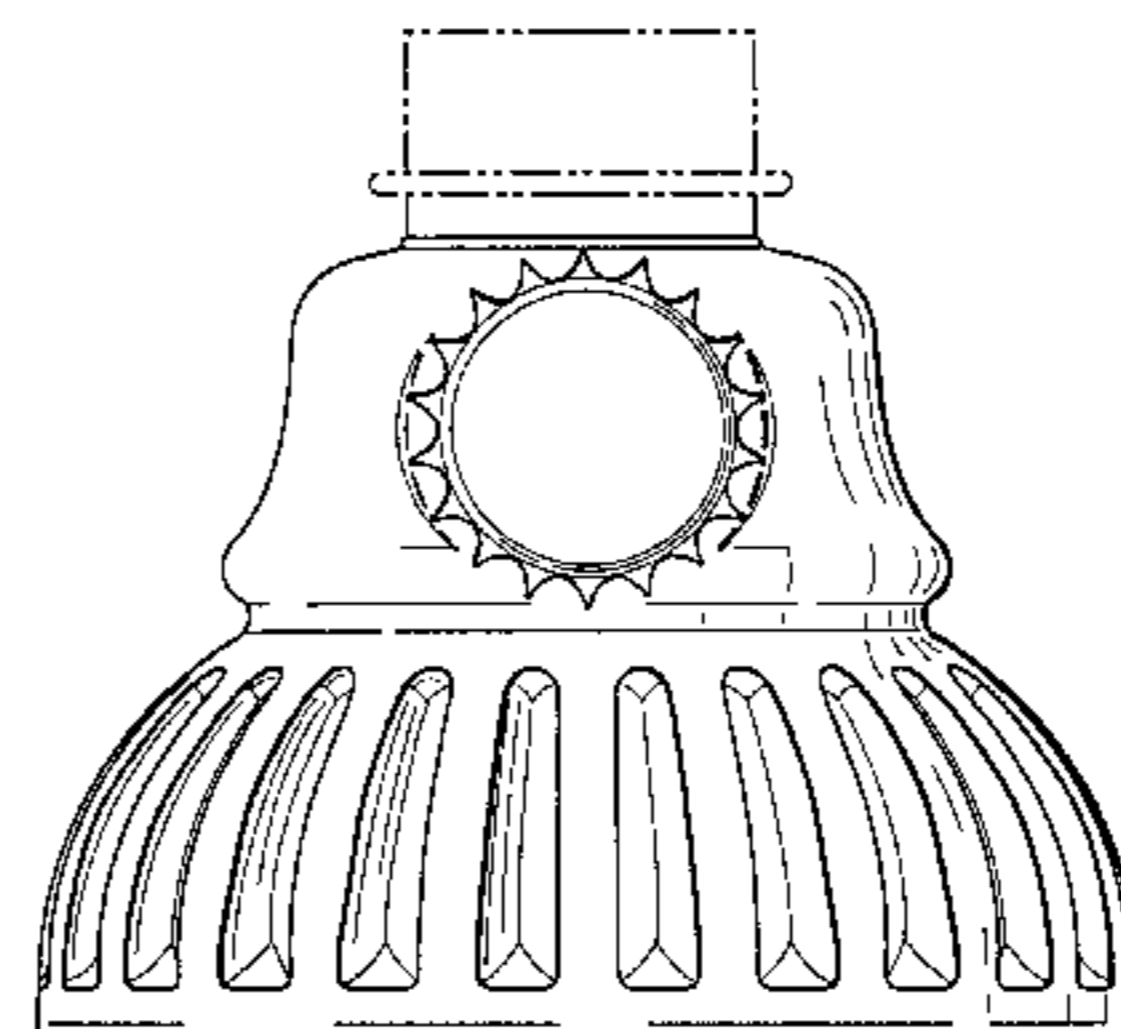
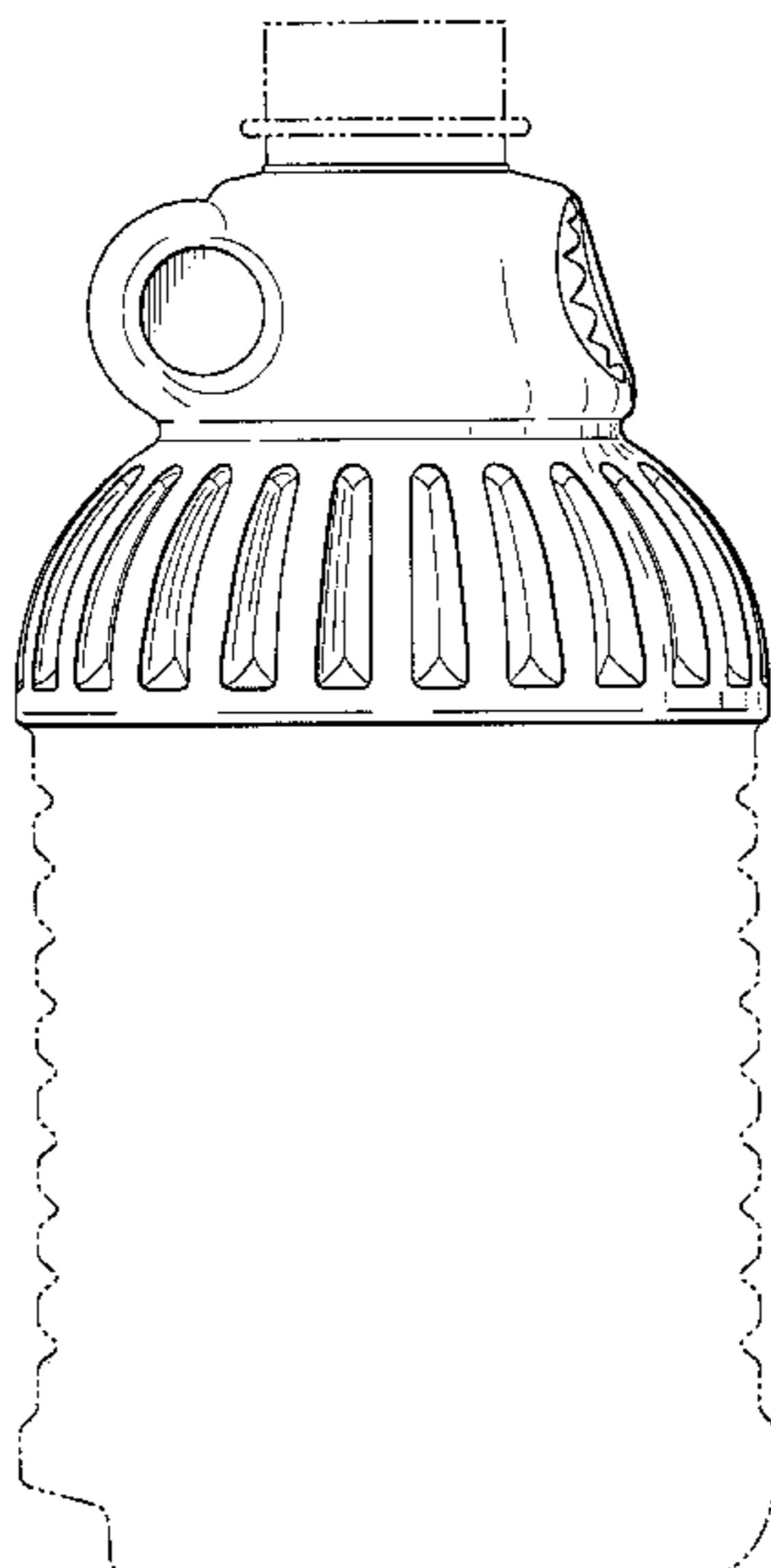
FIG. 3 is a rear elevational view of the jug-style dome illustrated in FIG. 1;

FIG. 4 is a top plan of the jug-style dome illustrated in FIG. 1; and,

FIG. 5 is a bottom plan view of the jug-style dome illustrated in FIG. 1.

The broken line showing of the upstanding finish portion of the jug-style dome in FIGS. 1-3, and the body portion of the plastic container in FIG. 1 is for illustrative purposes only and forms no part of the claimed design.

1 Claim, 3 Drawing Sheets



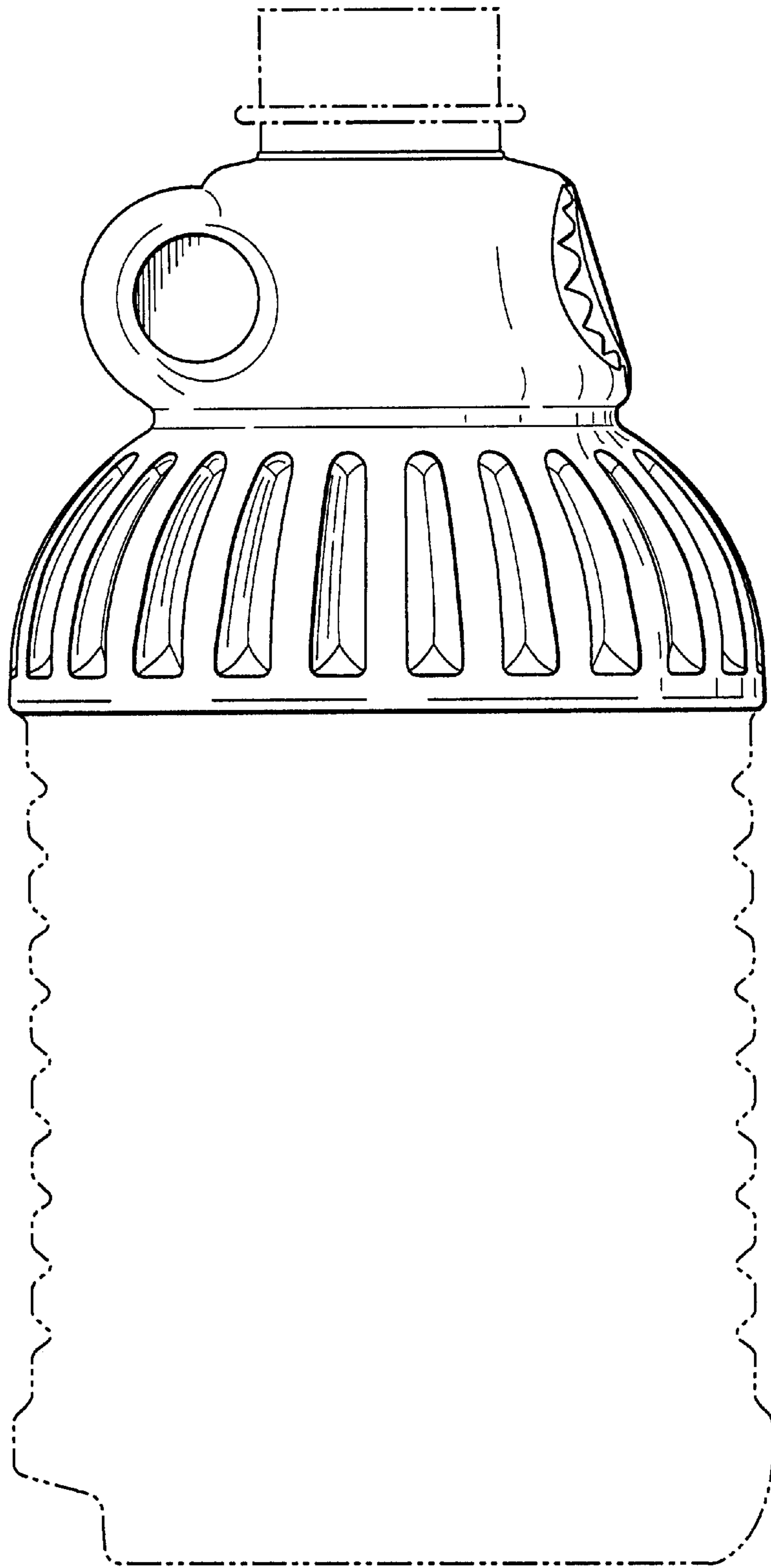


FIG. 1

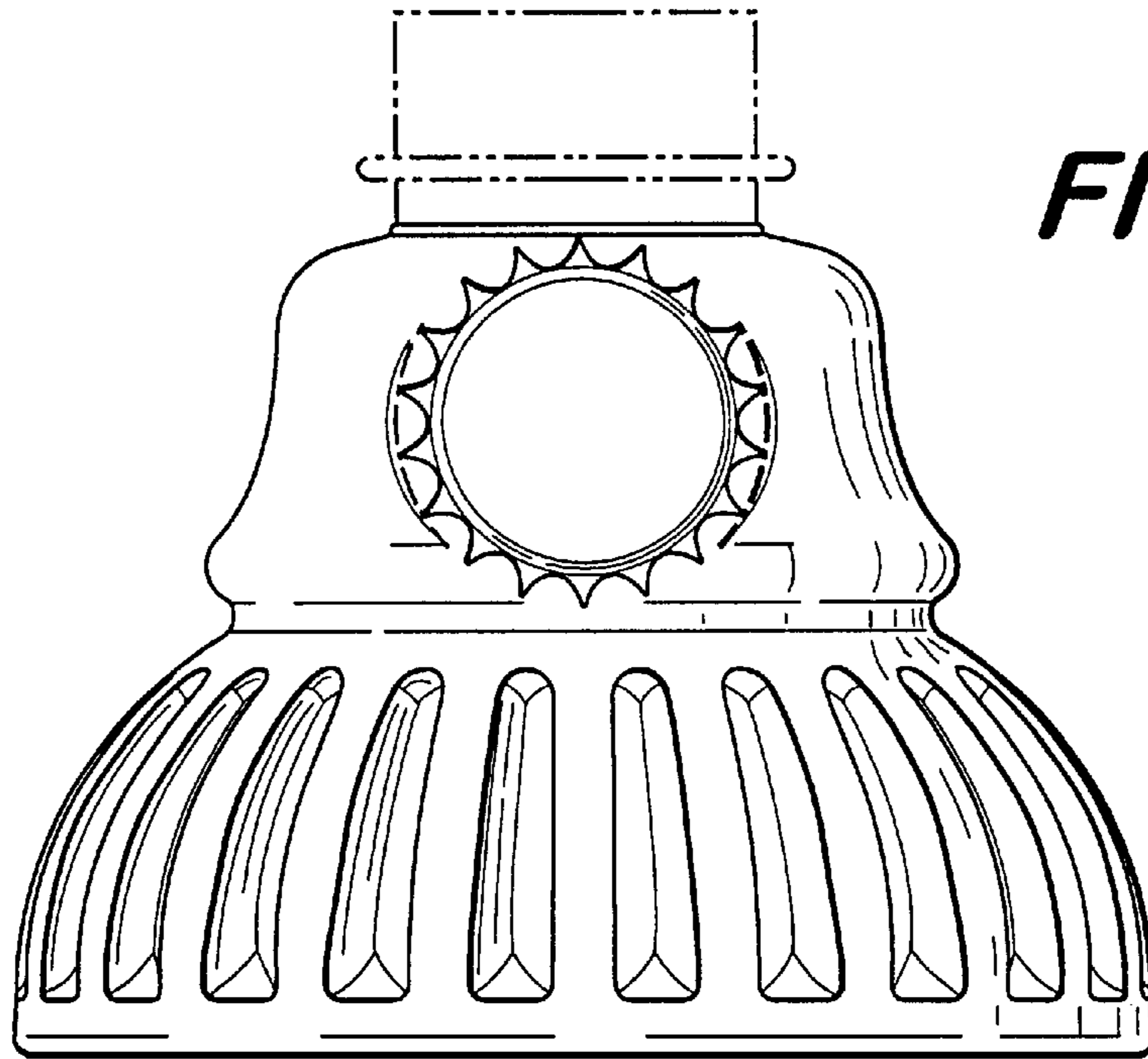


FIG. 2

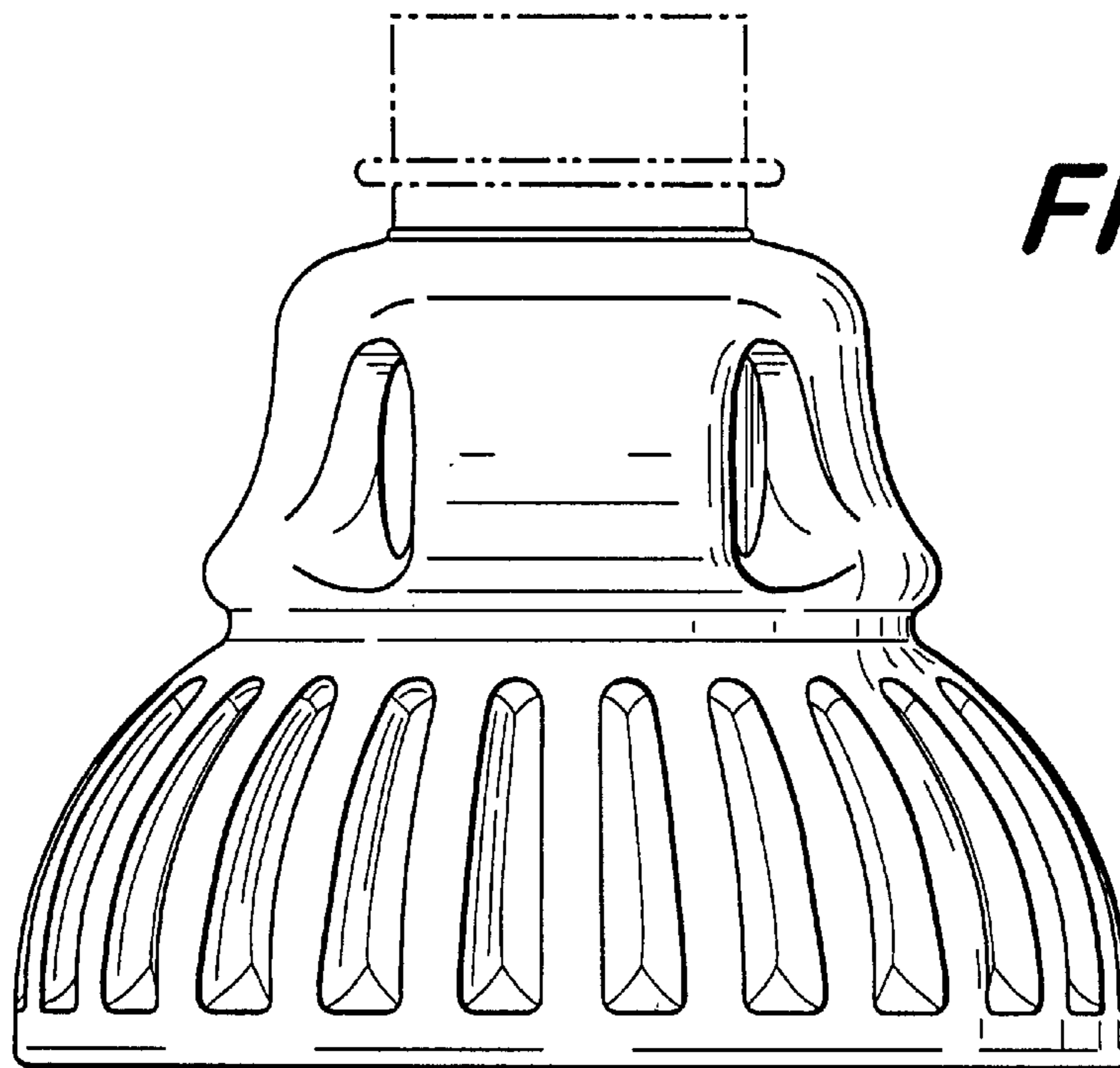


FIG. 3

FIG. 4

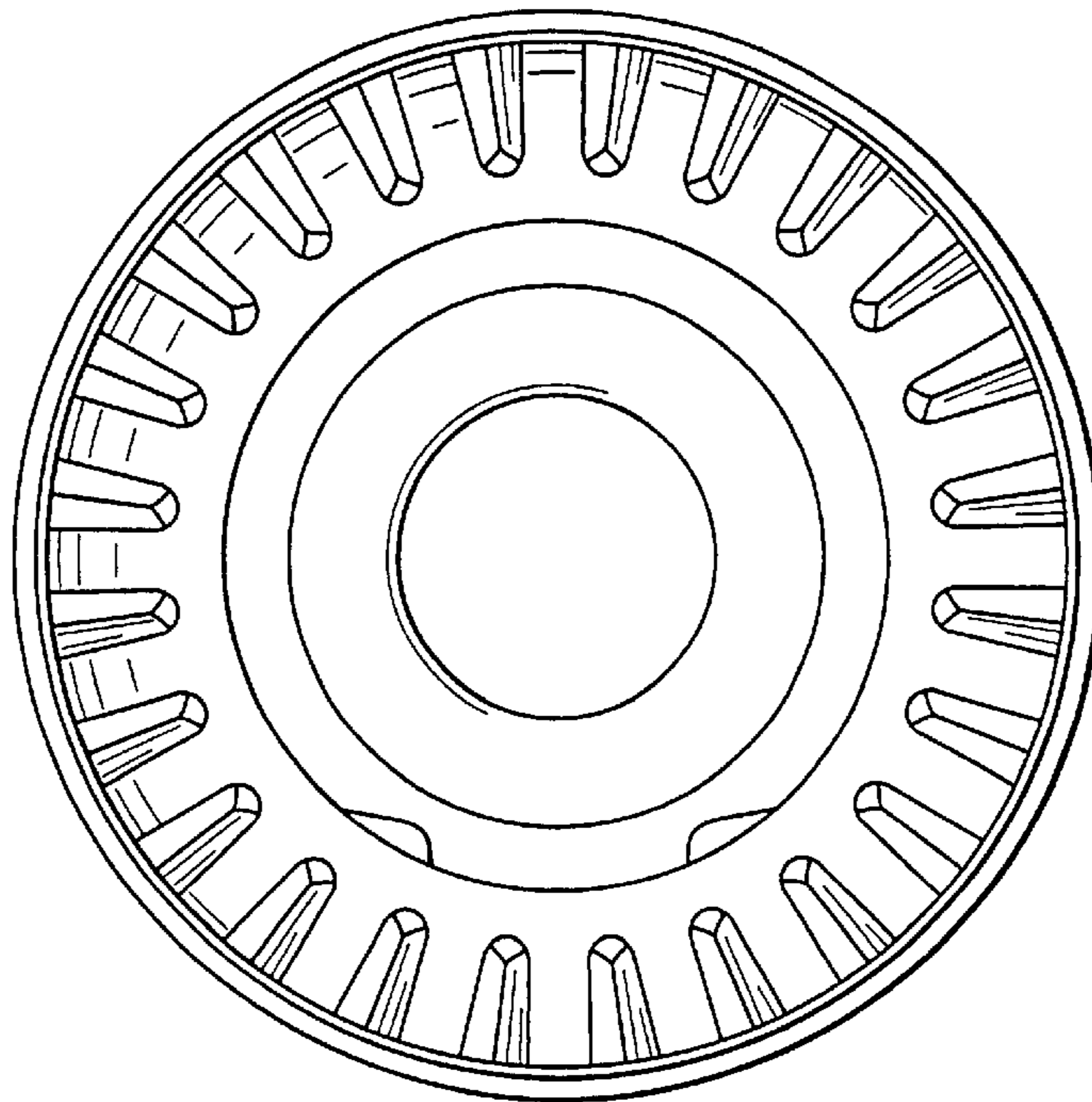
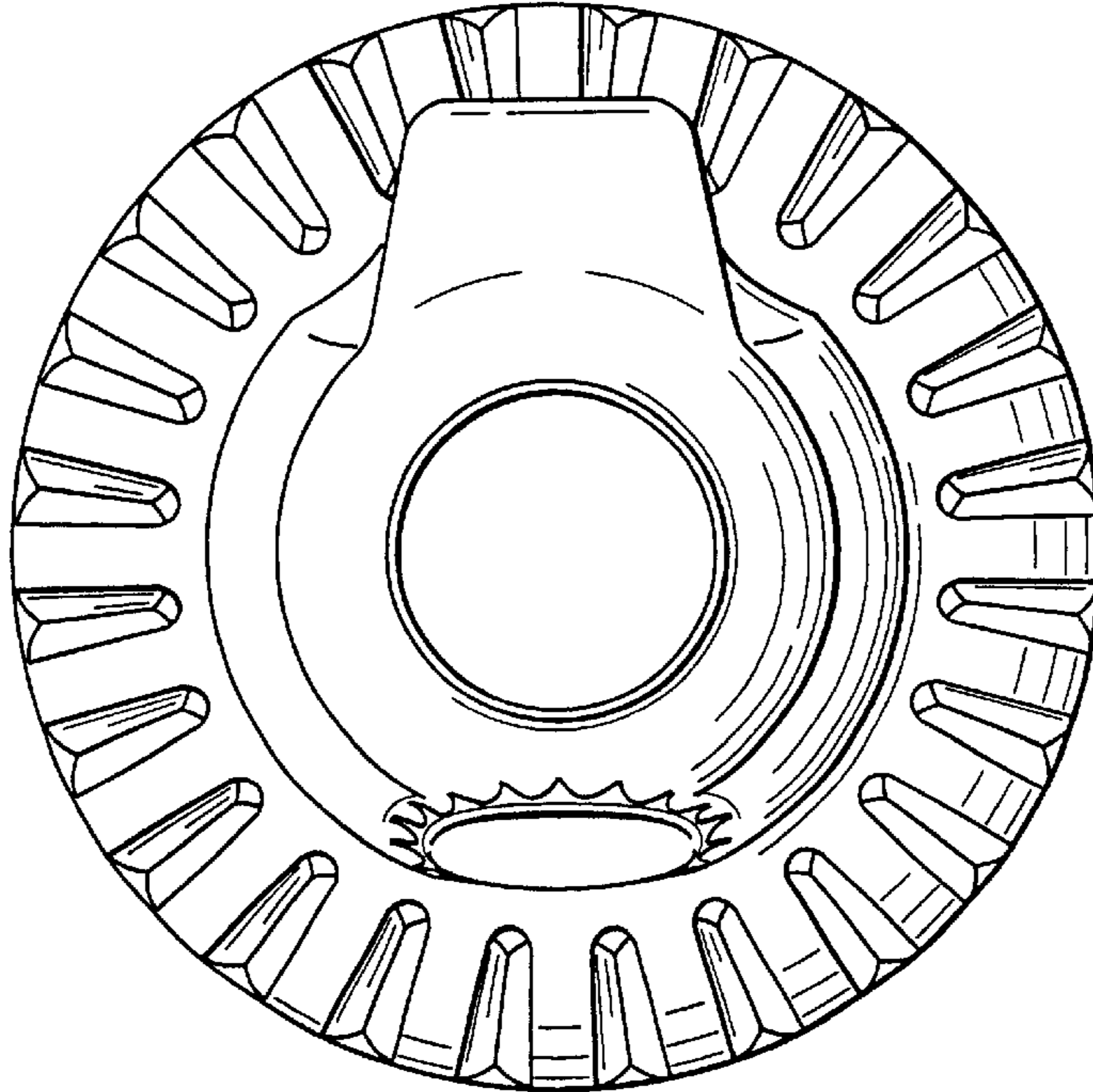


FIG. 5