



US00D442087S

(12) **United States Design Patent**
Walls

(10) **Patent No.:** **US D442,087 S**

(45) **Date of Patent:** **** May 15, 2001**

(54) **HAND PAINT MIXER**

(76) Inventor: **Jason Walls**, 397 Cook Ave., Danville,
IN (US) 46122

(**) Term: **14 Years**

(21) Appl. No.: **29/131,061**

(22) Filed: **Oct. 13, 2000**

(51) **LOC (7) Cl.** **09-07**

(52) **U.S. Cl.** **D9/436**

(58) **Field of Search** D9/436, 447, 456;
D32/53, 53.1, 54; 215/390, 391; 220/694,
702, 733; 366/247, 256, 605

(56) **References Cited**

U.S. PATENT DOCUMENTS

D. 320,938	10/1991	Stallings	D9/436
D. 327,015 *	6/1992	Stallings	D9/436
1,133,413	3/1915	Stough .		
1,447,653	3/1923	Fish .		
2,027,297	1/1936	Tramposch	259/107
2,585,334	2/1952	McCauley	220/55
2,898,094	8/1959	O'Neill, Jr.	259/116
3,162,338	12/1964	Grubelic	222/484
3,175,808	3/1965	Dedoes	259/107
3,520,519	7/1970	Cross	259/122
3,641,615 *	2/1972	Peasley	220/700 X
3,704,007	11/1972	Kroeger	259/122
3,744,767	7/1973	Blasnik	259/117
4,050,678	9/1977	Smith	366/130
4,339,992	7/1982	Kurland	99/348
4,380,399	4/1983	Godat et al.	366/289

4,422,770	12/1983	Geible	366/248
4,472,063	9/1984	Eickelmann	366/129
4,926,390	5/1990	Murzsa	366/249
5,094,543 *	3/1992	Mursa	366/247
5,199,788 *	4/1993	Stallings	366/247
5,251,979	10/1993	Larsen	366/248
5,407,270 *	4/1995	Barile et al.	366/247
5,533,802 *	7/1996	Garganese	366/256
5,857,772	1/1999	Washington	366/243

* cited by examiner

Primary Examiner—Cathron Brooks

(74) *Attorney, Agent, or Firm*—Woodard, Emhardt,
Naughton, Moriarty & McNett

(57) **CLAIM**

The ornamental design for a hand paint mixer, as shown and described.

DESCRIPTION

FIG. 1 is a perspective view of a hand paint mixer showing my new design in the environment of a paint can.

FIG. 2 is a front elevation view of the hand paint mixer of FIG. 1.

FIG. 3 is a rear elevation view thereof.

FIG. 4 is top plan view thereof.

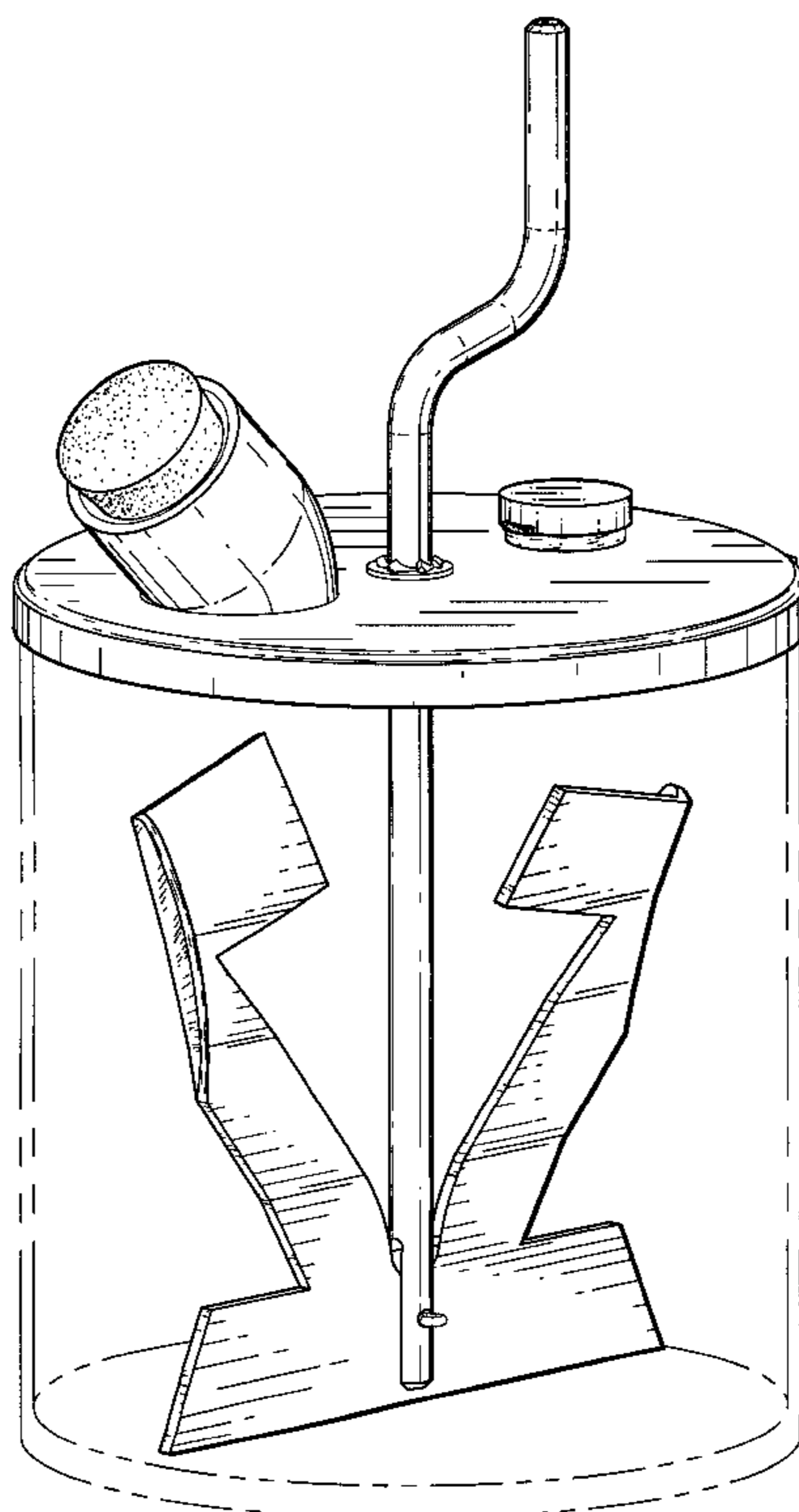
FIG. 5 is a bottom plan view thereof.

FIG. 6 is a right side elevation view thereof; and,

FIG. 7 is a left side elevation view thereof.

The broken lines in FIG. 1 illustrate environmental structure and form no part of the claimed design.

1 Claim, 6 Drawing Sheets



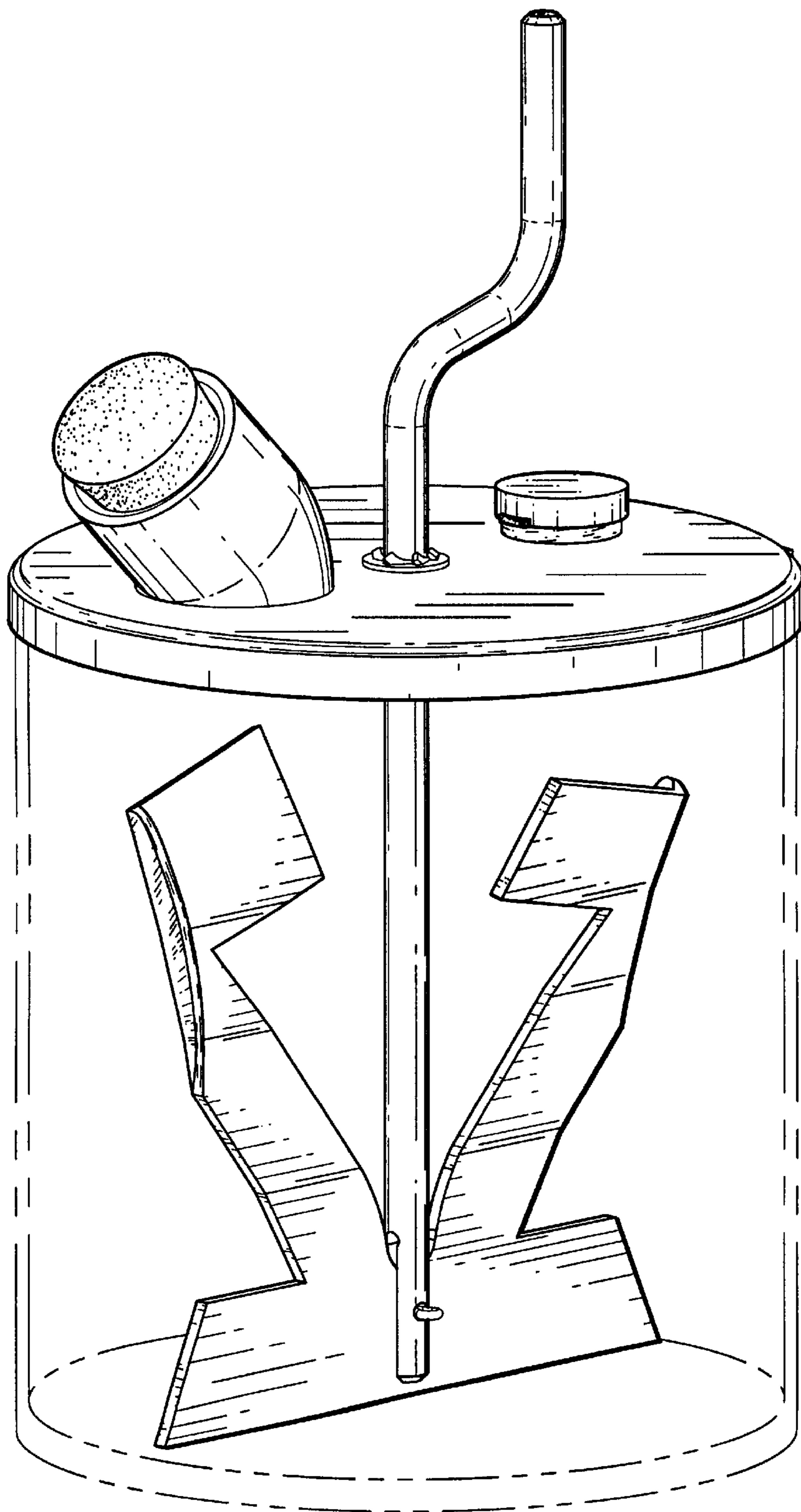


Fig. 1

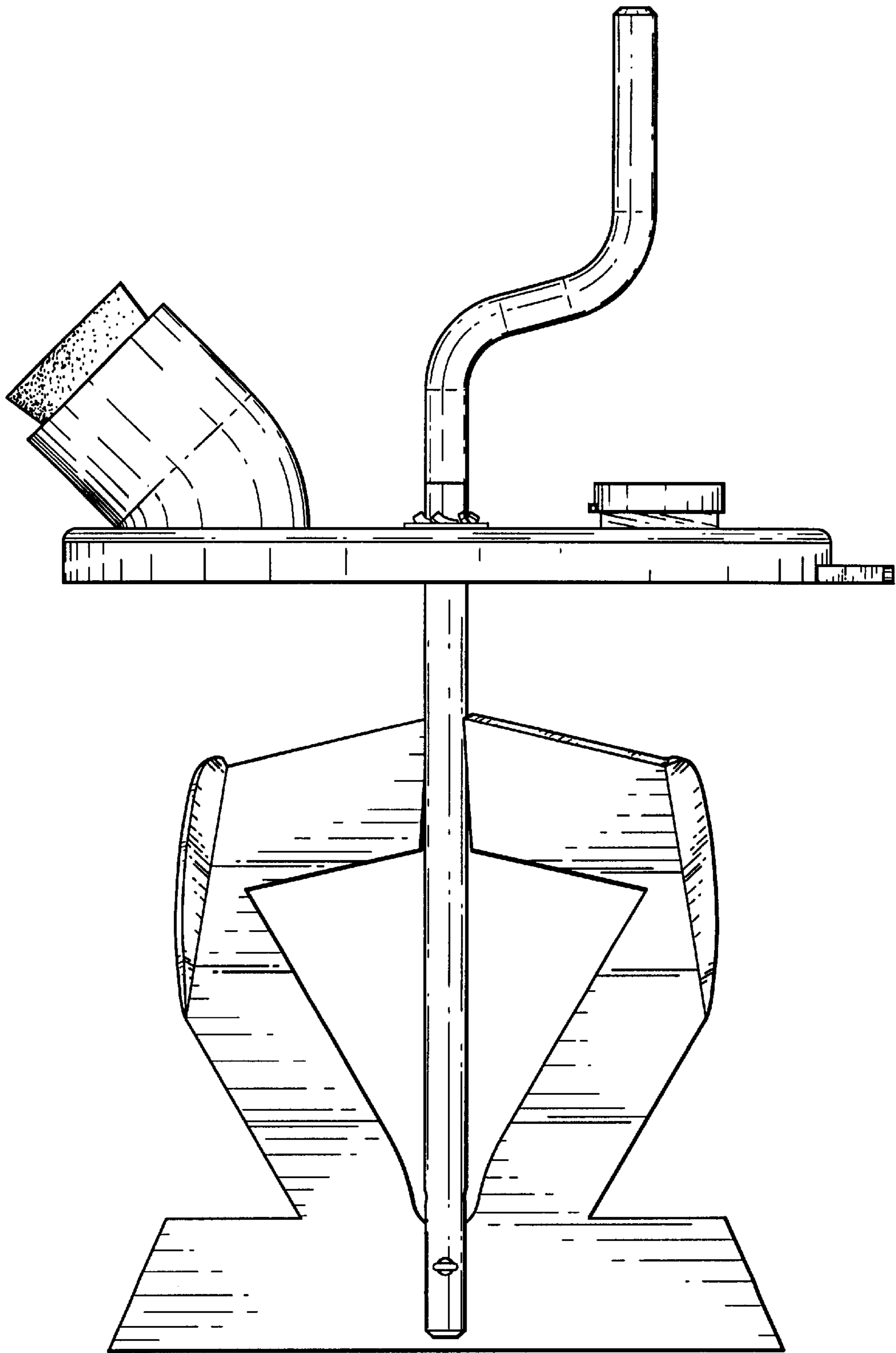


Fig. 2

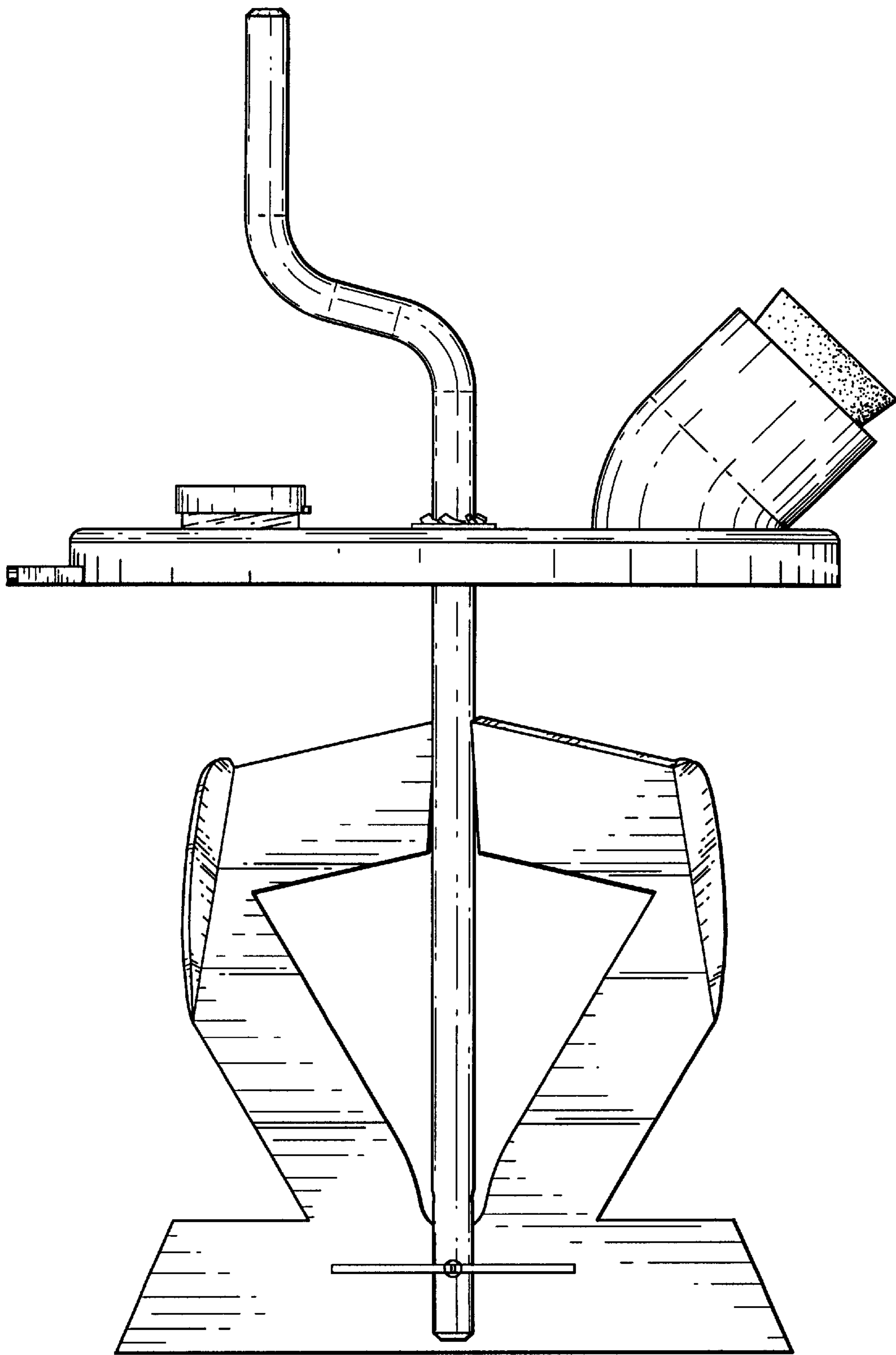


Fig. 3

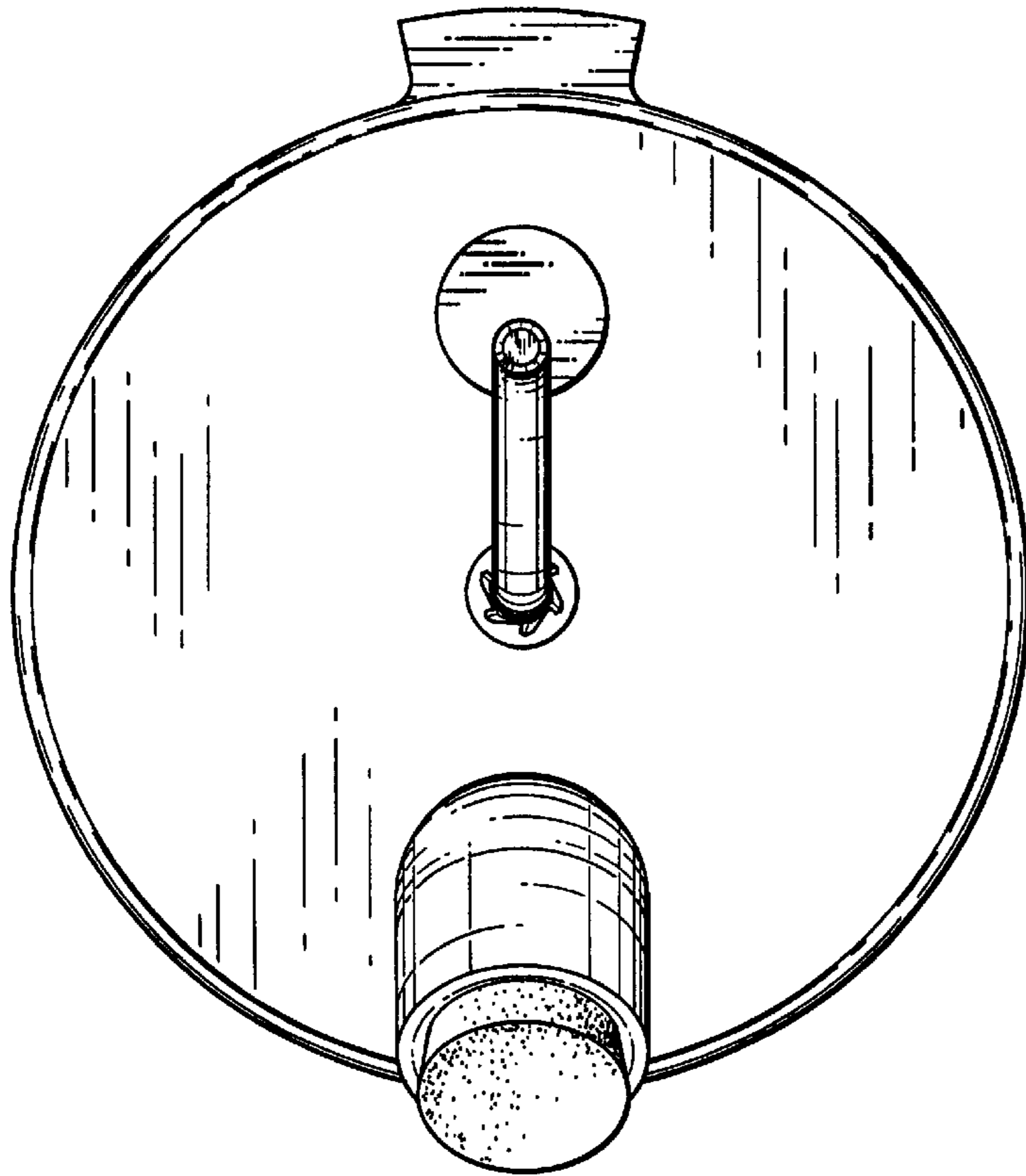


Fig. 4

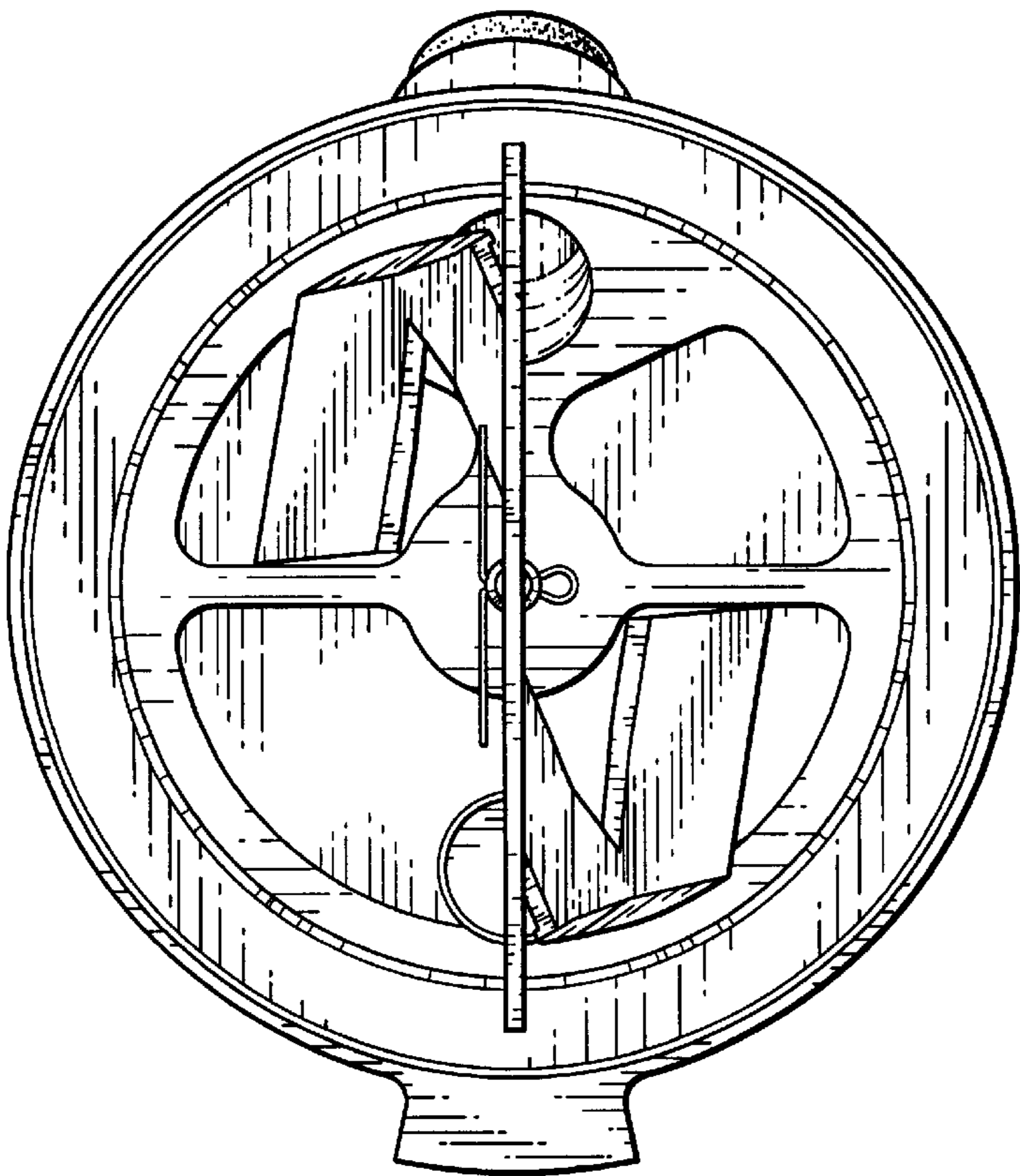


Fig. 5

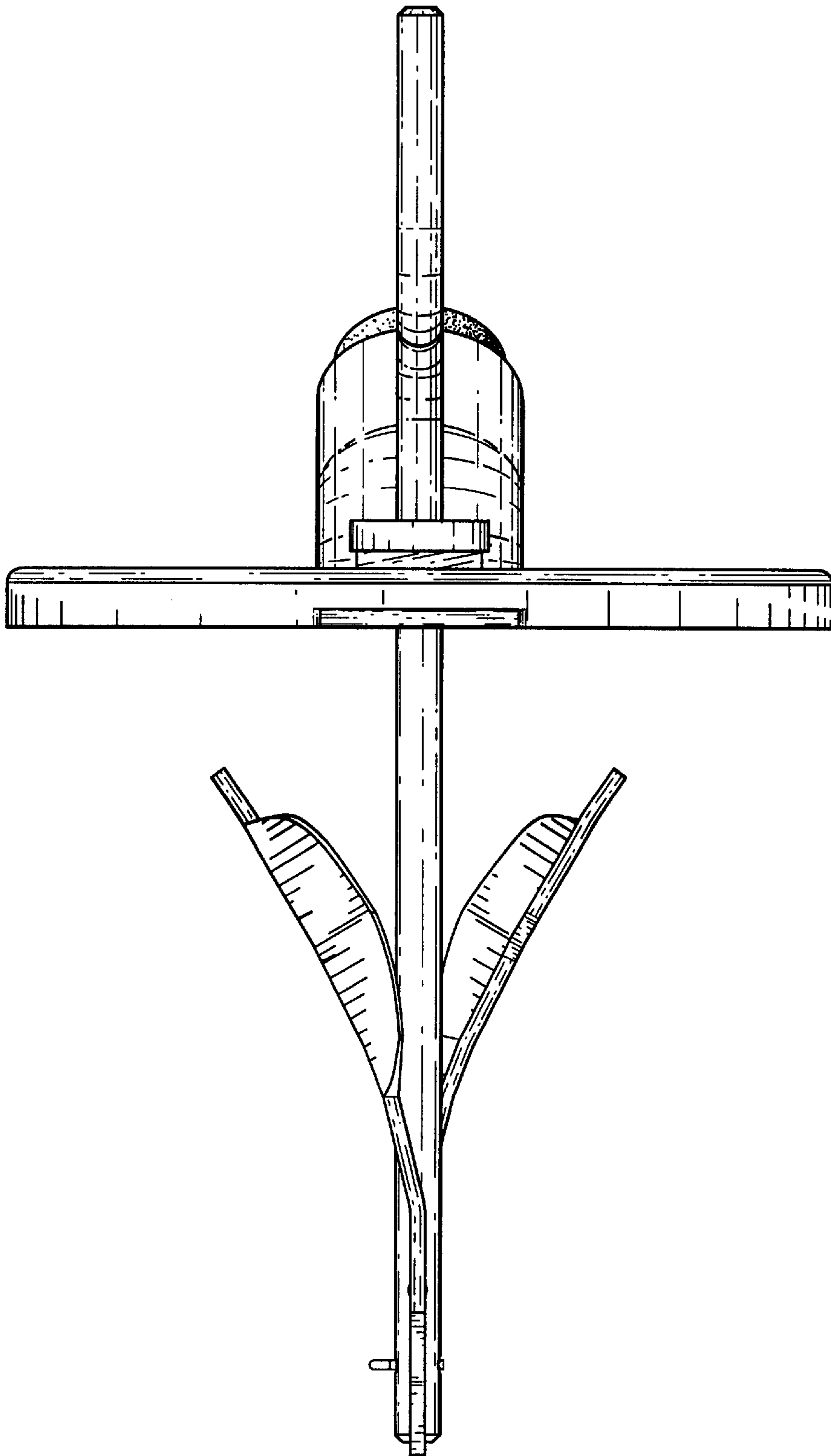


Fig. 6

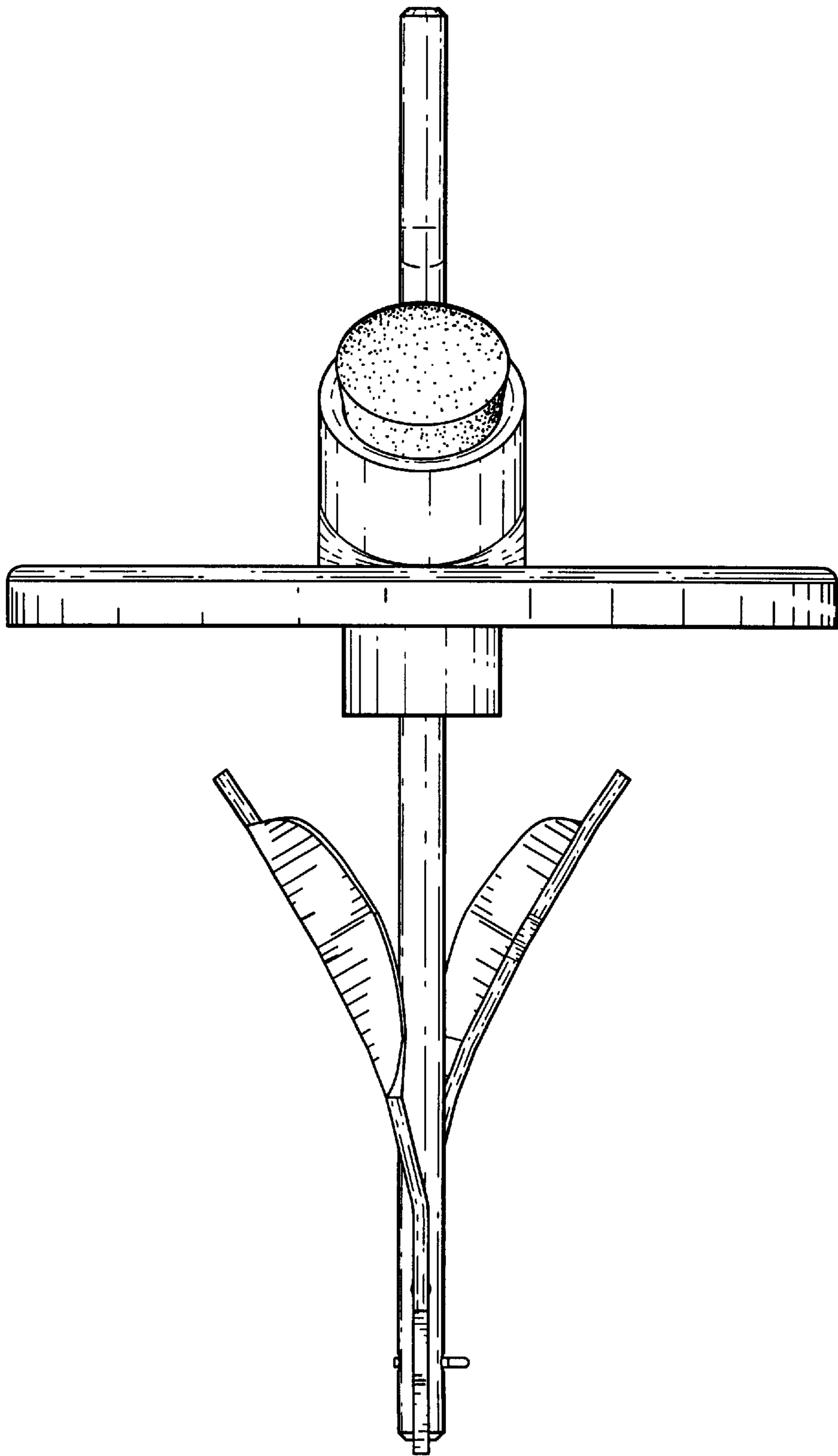


Fig. 7