



US00D442083S

(12) **United States Design Patent**
Hoffman et al.

(10) **Patent No.:** **US D442,083 S**

(45) **Date of Patent:** **** May 15, 2001**

(54) **CONTAINER**

(75) Inventors: **Ronald Hoffman; Roger P. Hoffman,**
both of Green Bay, WI (US)

(73) Assignee: **Waterhill, LLC, Atlanta, GA (US)**

(**) Term: **14 Years**

(21) Appl. No.: **29/115,301**

(22) Filed: **Dec. 10, 1999**

(51) **LOC (7) Cl.** **09-03**

(52) **U.S. Cl.** **D9/431; D9/346**

(58) **Field of Search** D9/341, 344-346,
D9/414-416, 418, 430-433, 499; 229/103.2,
109-110, 115, 117, 117.02, 117.01, 117.13,
117.16, 193

(56) **References Cited**

U.S. PATENT DOCUMENTS

D. 272,806	*	2/1984	Handy et al.	D9/416
D. 372,861	*	8/1996	Hoell et al.	D9/418
D. 391,117	*	2/1998	Law et al.	D9/416
D. 402,200	*	12/1998	Bakx et al.	D9/430

D. 424,935	*	5/2000	Ristau	D9/430
2,003,600	*	6/1935	Lowenfels	229/115
2,935,192	*	5/1960	De Million-Czarnecki	229/115
4,738,365	*	4/1988	Prater	229/123.3
5,249,681	*	10/1993	Miller	206/427

* cited by examiner

Primary Examiner—Ted Shooman

Assistant Examiner—Carol Rademaker

(74) *Attorney, Agent, or Firm*—Philip M. Weiss; Weiss & Weiss PC

(57) **CLAIM**

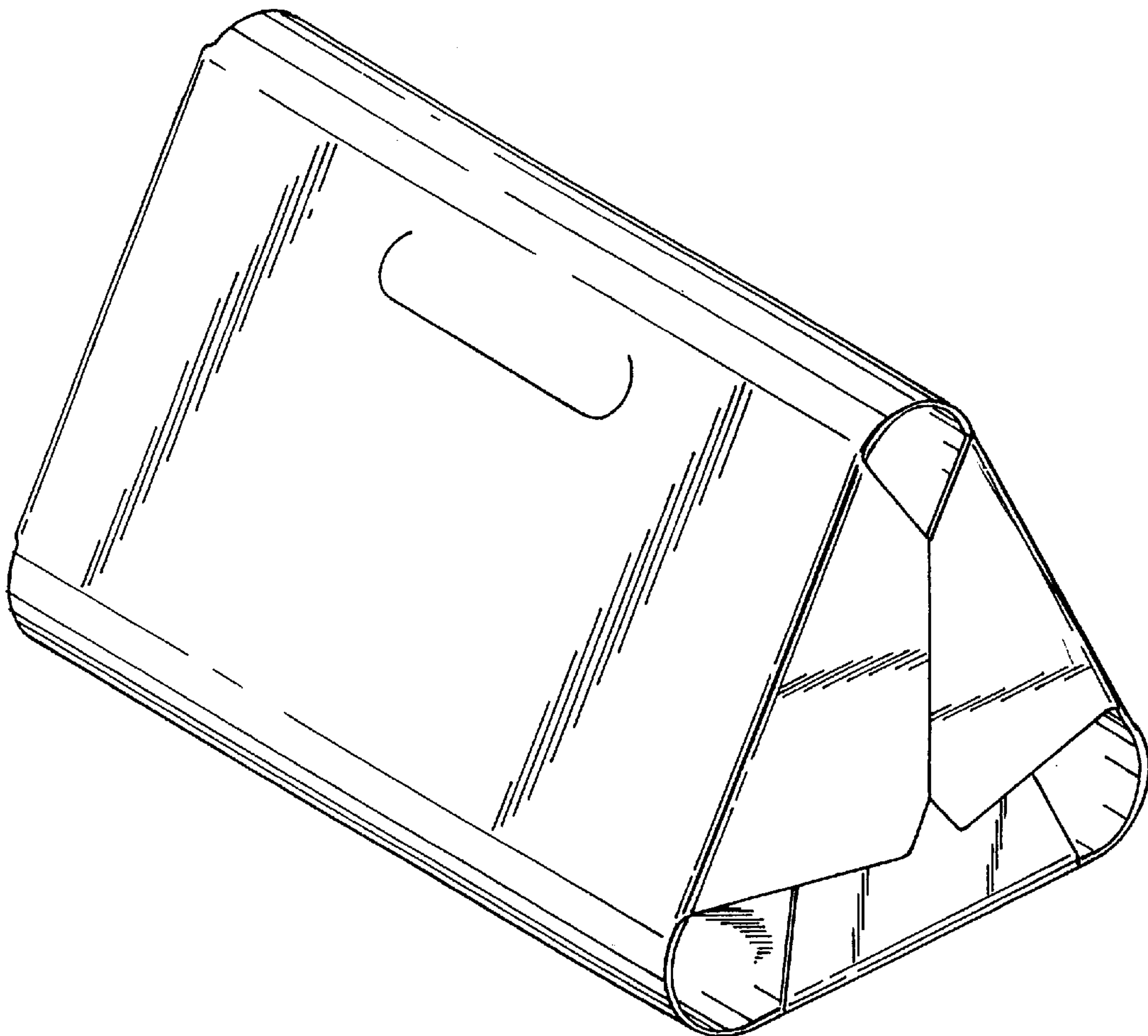
The ornamental design for a container, as shown and described.

DESCRIPTION

FIG. 1 is a top view of a container showing my new design; FIG. 2 is a side view thereof; FIG. 3 is an end view thereof; and, FIG. 4 is an isometric view thereof.

The surface(s) or portion(s) of the article not shown in the drawing or described in the specification form(s) no part of the claimed design.

1 Claim, 2 Drawing Sheets



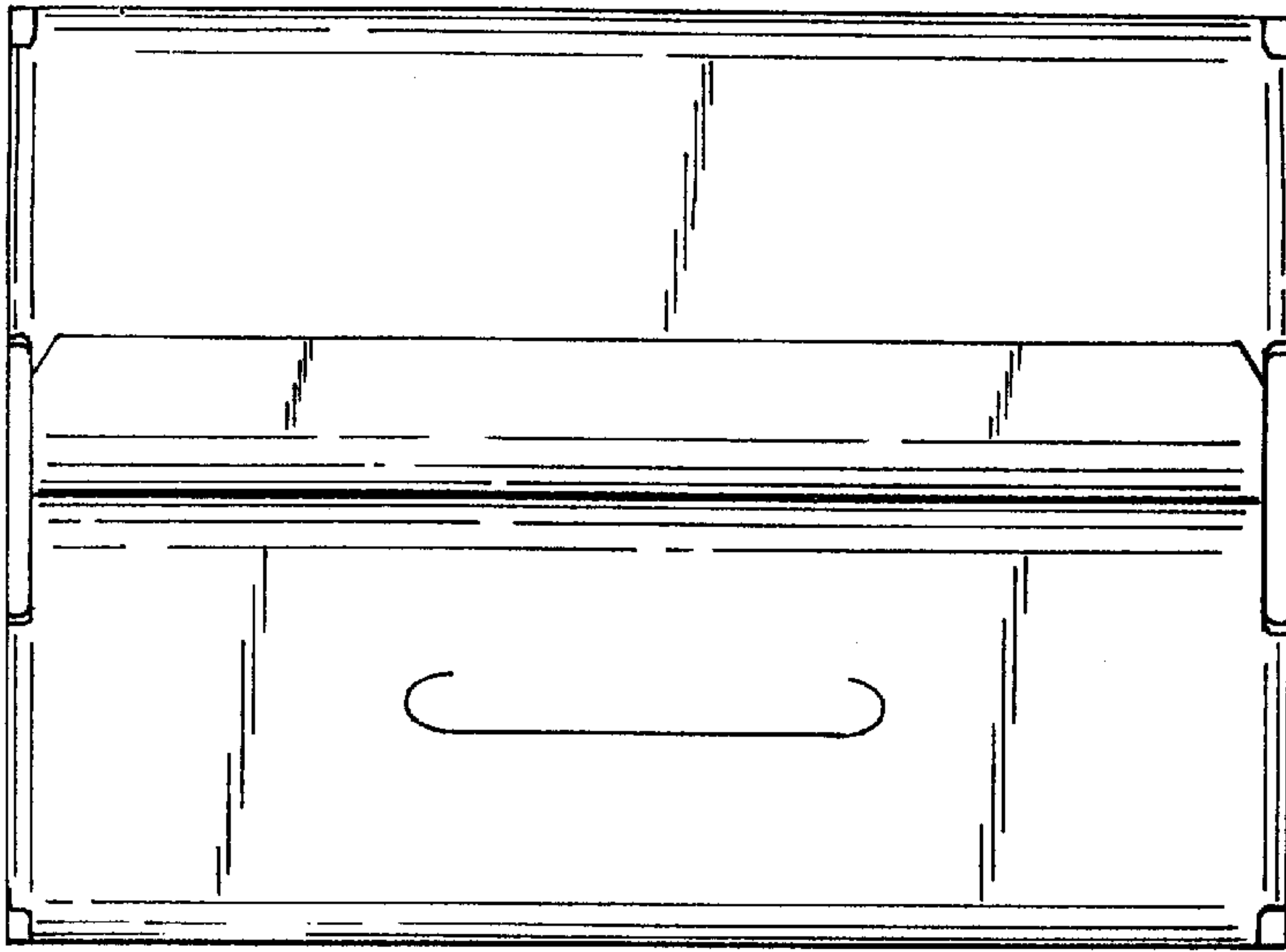


Fig. 1

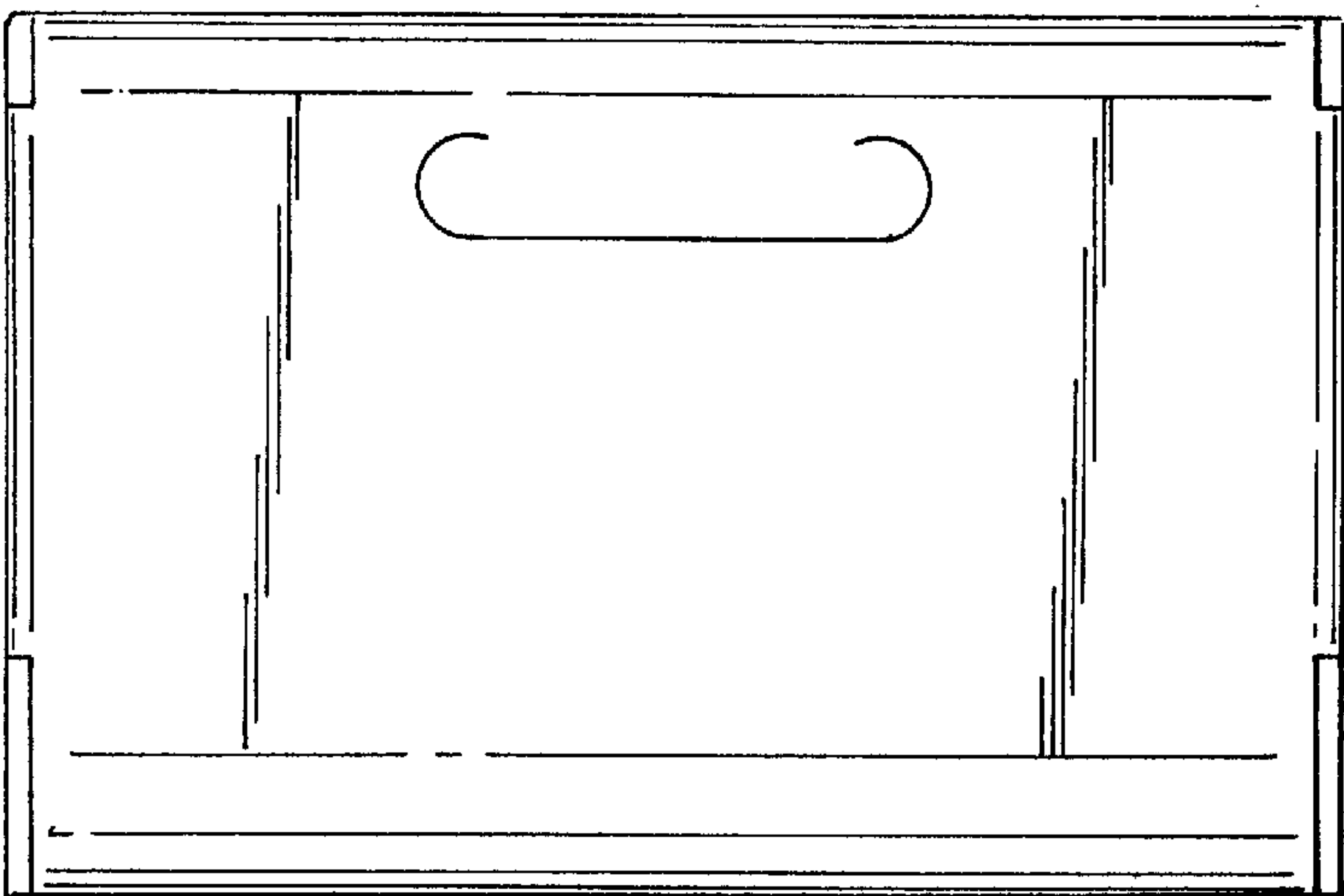


Fig. 2

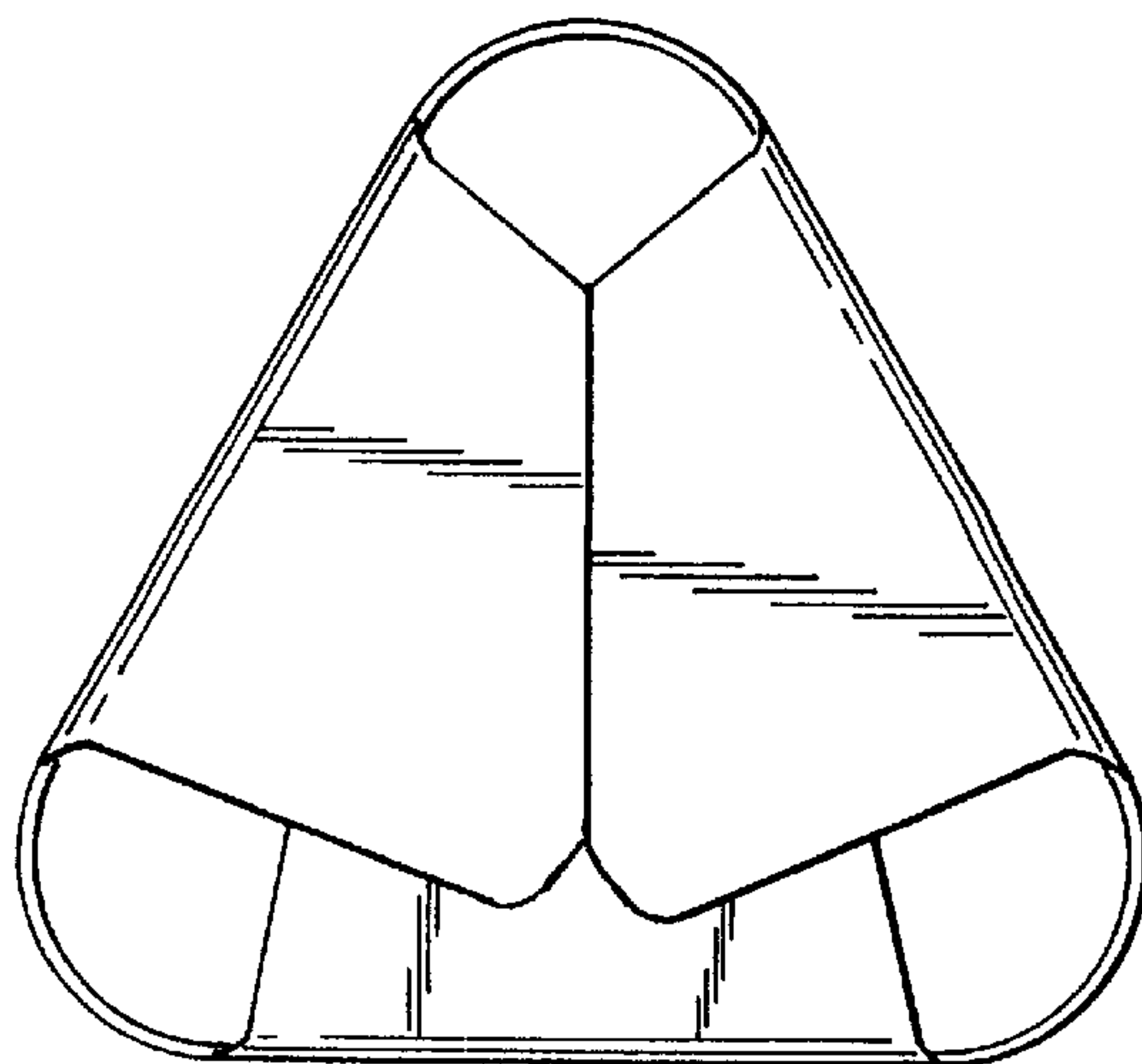


Fig. 3

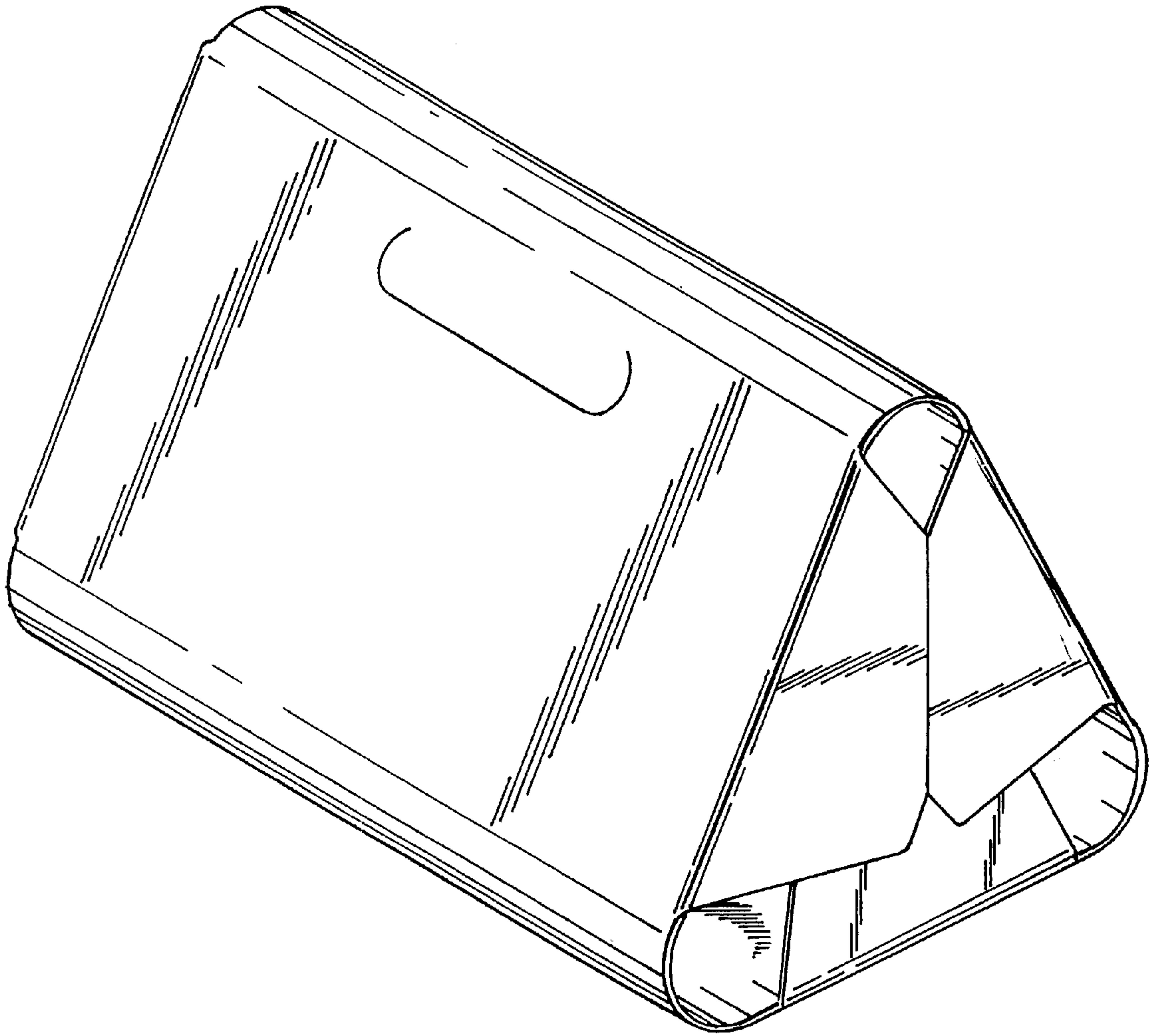


Fig. 4