



US00D442082S

(12) **United States Design Patent**
Maeda et al.

(10) **Patent No.:** **US D442,082 S**

(45) **Date of Patent:** **** *May 15, 2001**

(54) **INK CARTRIDGE PACKAGE FOR PRINTER**

(75) Inventors: **Hiroyuki Maeda**, Yokohama; **Iwao Kawamura**, Kunitachi; **Kazunori Namai**, Yokohama; **Takuya Yasumitsu**, Kawasaki, all of (JP)

(73) Assignee: **Canon Kabushiki Kaisha**, Tokyo (JP)

(*) Notice: This patent is subject to a terminal disclaimer.

(**) Term: **14 Years**

(21) Appl. No.: **29/116,129**

(22) Filed: **Dec. 28, 1999**

(30) **Foreign Application Priority Data**

Jun. 30, 1999 (JP) 11-17294

(51) **LOC (7) Cl.** **09-03**

(52) **U.S. Cl.** **D9/425**

(58) **Field of Search** D9/414, 424, 425, D9/347, 337, 430, 431; 206/214, 215, 384, 563, 564, 508, 216; 220/1.5, 553, 555, 669, 671, 675, 674, 23.8; D18/34, 56, 99

(56) **References Cited**

U.S. PATENT DOCUMENTS

D. 233,628 * 11/1974 Dunning et al. D9/425

D. 334,536	*	4/1993	Long et al.	D9/425
D. 349,456	*	8/1994	Wilson	D9/347
D. 353,997	*	1/1995	Kashino et al.	D9/425
D. 365,985	*	1/1996	Rousmaniere et al.	D9/425
D. 395,392	*	6/1998	Lahm et al.	D9/425
3,344,974	*	10/1967	Bostrom	206/518 X
4,221,295	*	9/1980	Tuchband et al.	206/564
4,848,580	*	7/1989	Wise	206/508 X
5,236,119	*	8/1993	Chu	220/555 X

* cited by examiner

Primary Examiner—Prabhakar Deshmukh

(74) *Attorney, Agent, or Firm*—Fitzpatrick, Cella, Harper & Scinto

(57) **CLAIM**

The ornamental design for an ink cartridge package for printer, as shown and described.

DESCRIPTION

FIG. 1 is a front view of an ink cartridge package for printer showing our new design; FIG. 2 is a top plan view thereof; FIG. 3 is a bottom plan view thereof; FIG. 4 is a left side view thereof; FIG. 5 is a right side view thereof; and, FIG. 6 is a perspective view thereof. The broken lines are for illustrative purpose only and form no part of the claimed design.

1 Claim, 3 Drawing Sheets

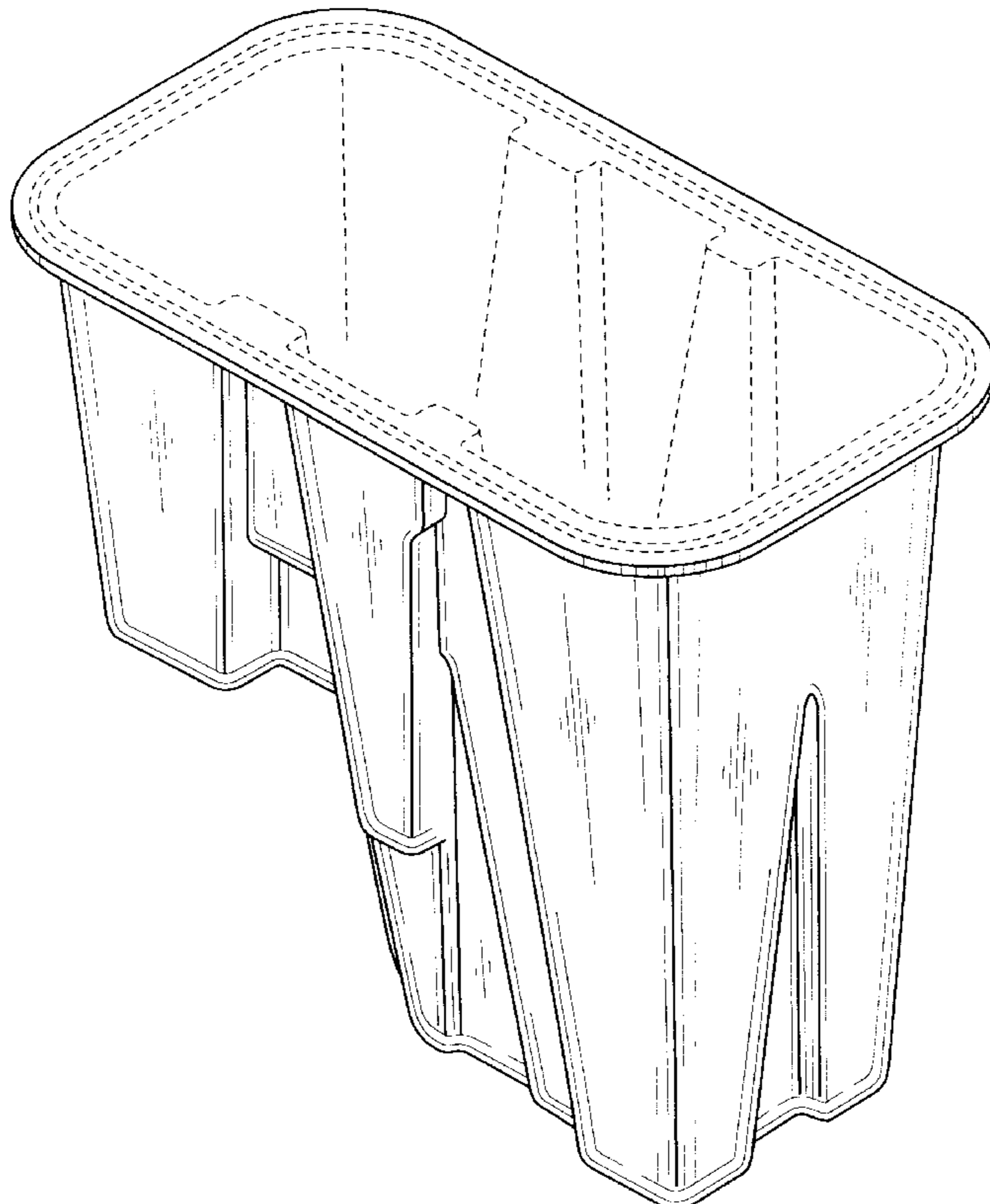


FIG. 1

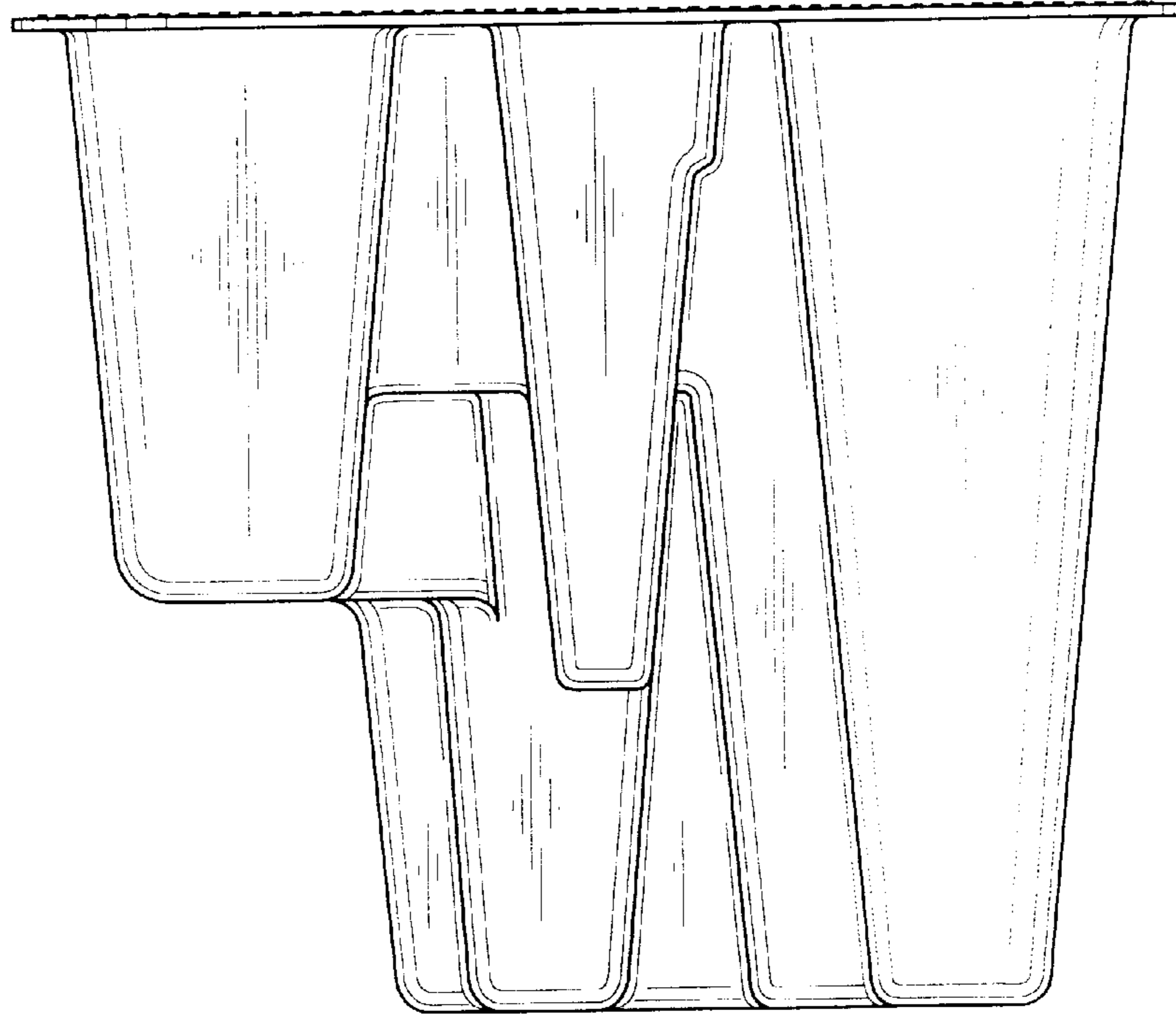


FIG. 2

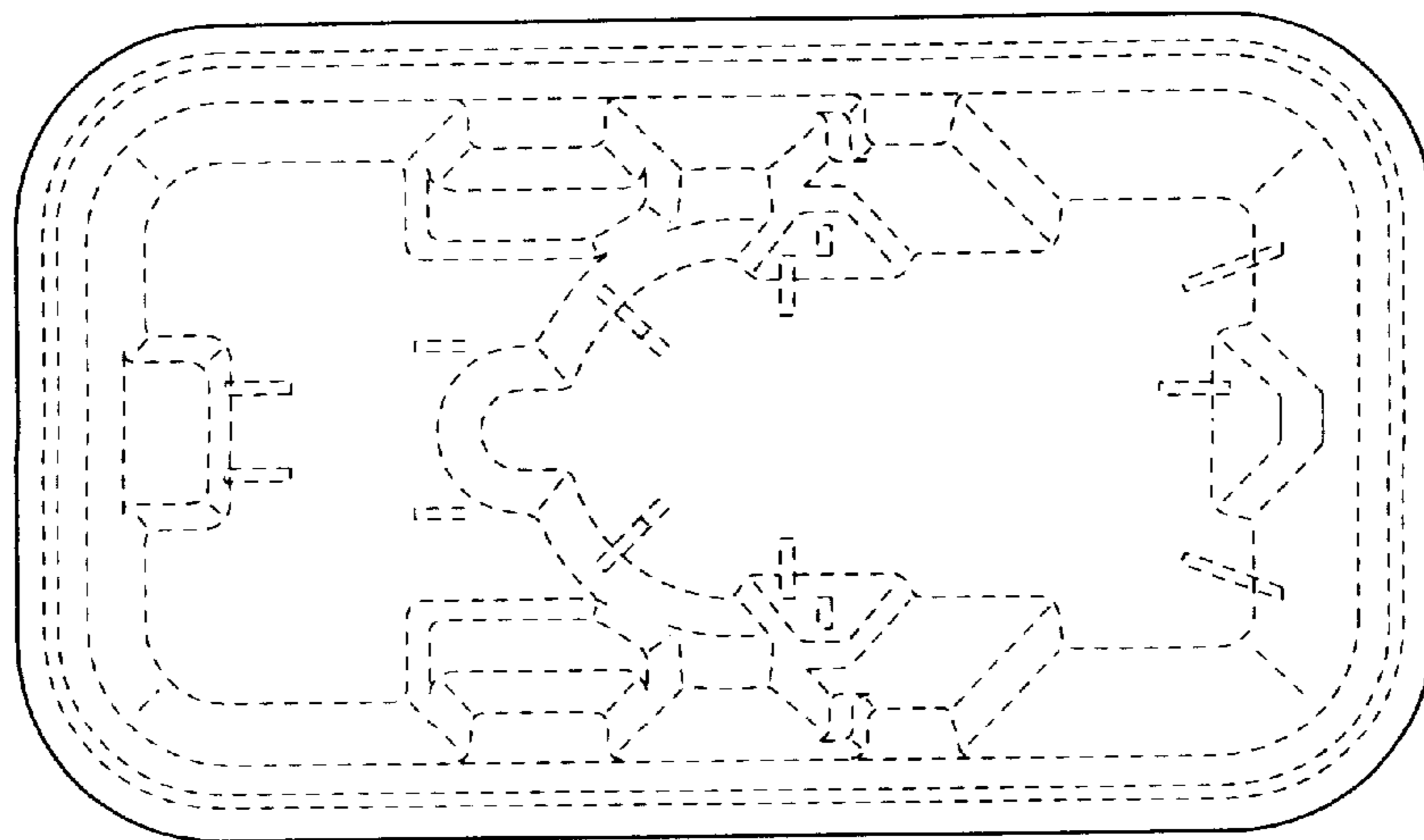


FIG. 3

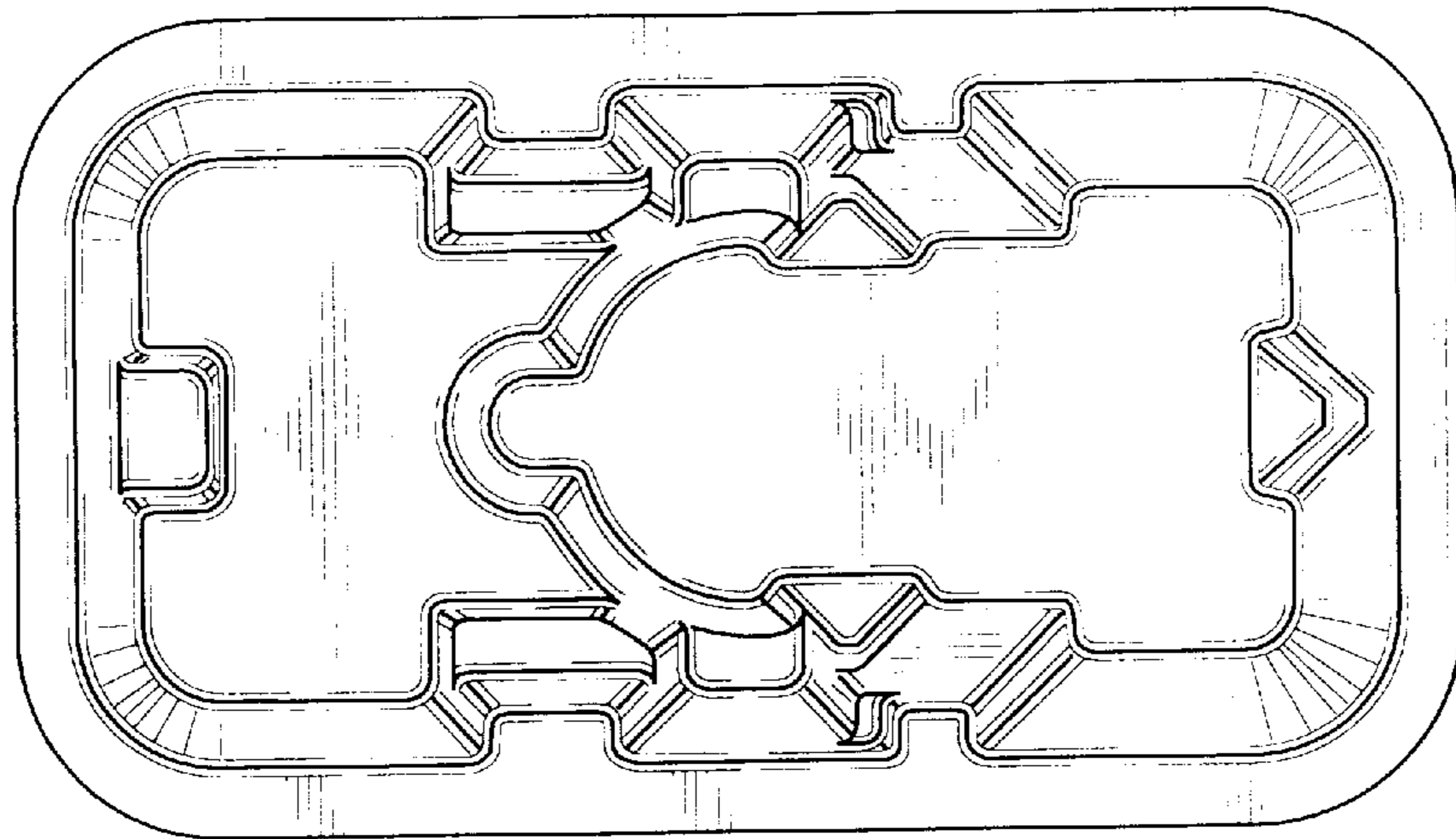


FIG. 4

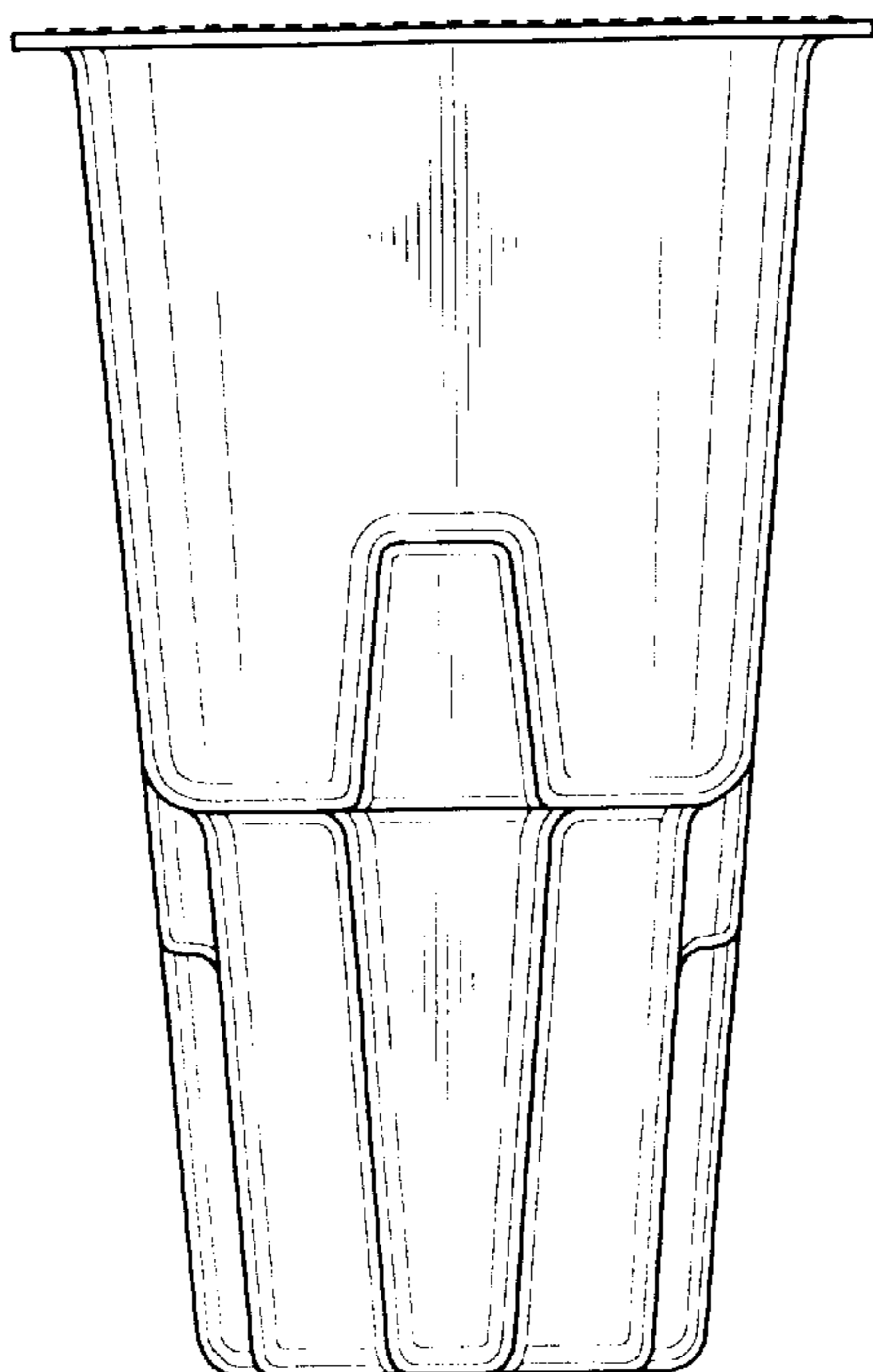


FIG. 5

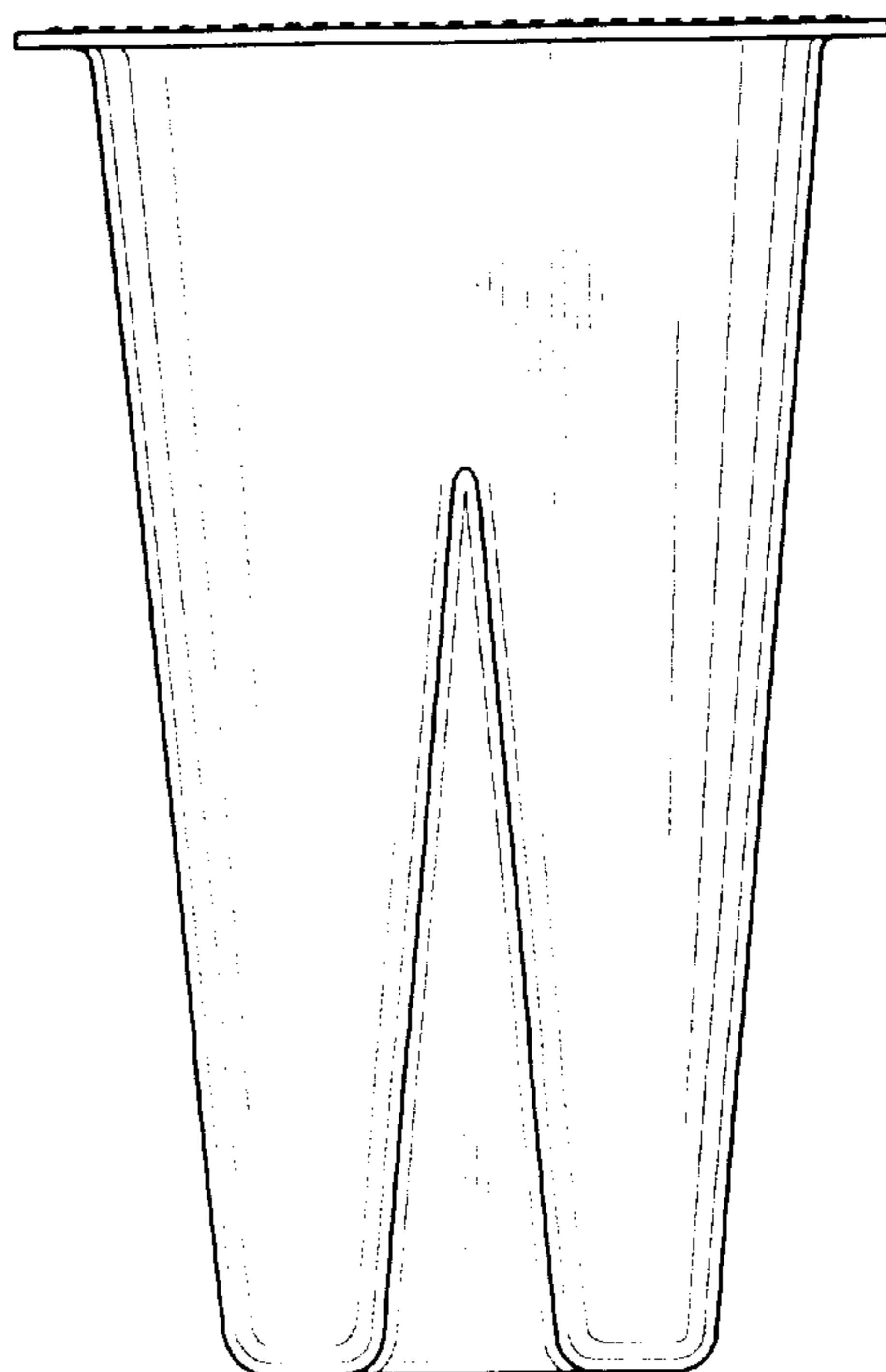


FIG. 6

