



US00D442081S

(12) **United States Design Patent**
Paul

(10) **Patent No.:**

US D442,081 S

(45) **Date of Patent:**

**** May 15, 2001**

(54) **CONTAINER**

(75) Inventor: **Duncan John Paul**, Leuven (BE)

(73) Assignee: **Procter & Gamble Company**,
Cincinnati, OH (US)

(**) Term: **14 Years**

(21) Appl. No.: **29/099,224**

(22) Filed: **Jan. 15, 1999**

(30) **Foreign Application Priority Data**

Jul. 15, 1998 (GB) 2076073

(51) **LOC (7) Cl.** **09-03**

(52) **U.S. Cl.** **D9/423; D9/424**

(58) **Field of Search** D9/420-424, 432,
D9/414, 337, 341; D3/201, 273, 294; D7/601,
629; 206/508, 823, 828, 216; 220/253,
254, 781, 836, 797, 376, 377, 380, 675,
783, 882

(56) **References Cited**

U.S. PATENT DOCUMENTS

- D. 166,195 * 3/1952 Howard D9/420
- D. 363,663 * 10/1995 Plater D9/424 X
- D. 403,158 * 12/1998 Au D9/423 X
- D. 406,057 * 2/1999 Hager D9/423 X
- D. 412,439 * 8/1999 Cormack D9/423 X
- 2,880,859 * 4/1959 Tupper 220/257
- 4,969,573 11/1990 Dupuis et al. 220/259
- 5,036,997 * 8/1991 May et al. 220/832
- 5,050,737 9/1991 Joslyn et al. 206/494
- 5,366,104 * 11/1994 Armstrong 220/832
- 5,833,116 * 11/1998 Guillin 220/783

FOREIGN PATENT DOCUMENTS

1248063 1/1989 (CA) .

- 1261798 9/1989 (CA) .
- 2186255 9/1995 (CA) .
- 2068731 10/1995 (CA) .
- 2151421 12/1995 (CA) .
- 2218649 10/1996 (CA) .
- 80190 3/1997 (CA) .
- 2245698 8/1997 (CA) .
- 2248677 9/1997 (CA) .
- 2131907 11/1997 (CA) .
- 2274659 4/1999 (CA) .
- 86696 5/1999 (CA) .
- 2902631 9/1979 (DE) .
- 3211840 10/1983 (DE) .
- 0 720 950 7/1996 (EP) .
- 0 748 748 12/1996 (EP) .
- 0 716 029 12/1997 (EP) .
- 0 832 823 4/1998 (EP) .
- 2179328 3/1987 (GB) .
- 2300623 11/1996 (GB) .

* cited by examiner

Primary Examiner—Prabhakar Deshmukh
(74) *Attorney, Agent, or Firm*—Leonard W. Lewis

(57) **CLAIM**

The ornamental design for a container, as shown and described.

DESCRIPTION

FIG. 1 is a perspective view of a container, embodying my new design thereof;
FIG. 2 is a front elevational view thereof;
FIG. 3 is a rear elevational view thereof;
FIG. 4 is a left side elevational view thereof;
FIG. 5 is a right side elevational view thereof;
FIG. 6 is a top plan view thereof; and,
FIG. 7 is a bottom plan view thereof.

1 Claim, 4 Drawing Sheets

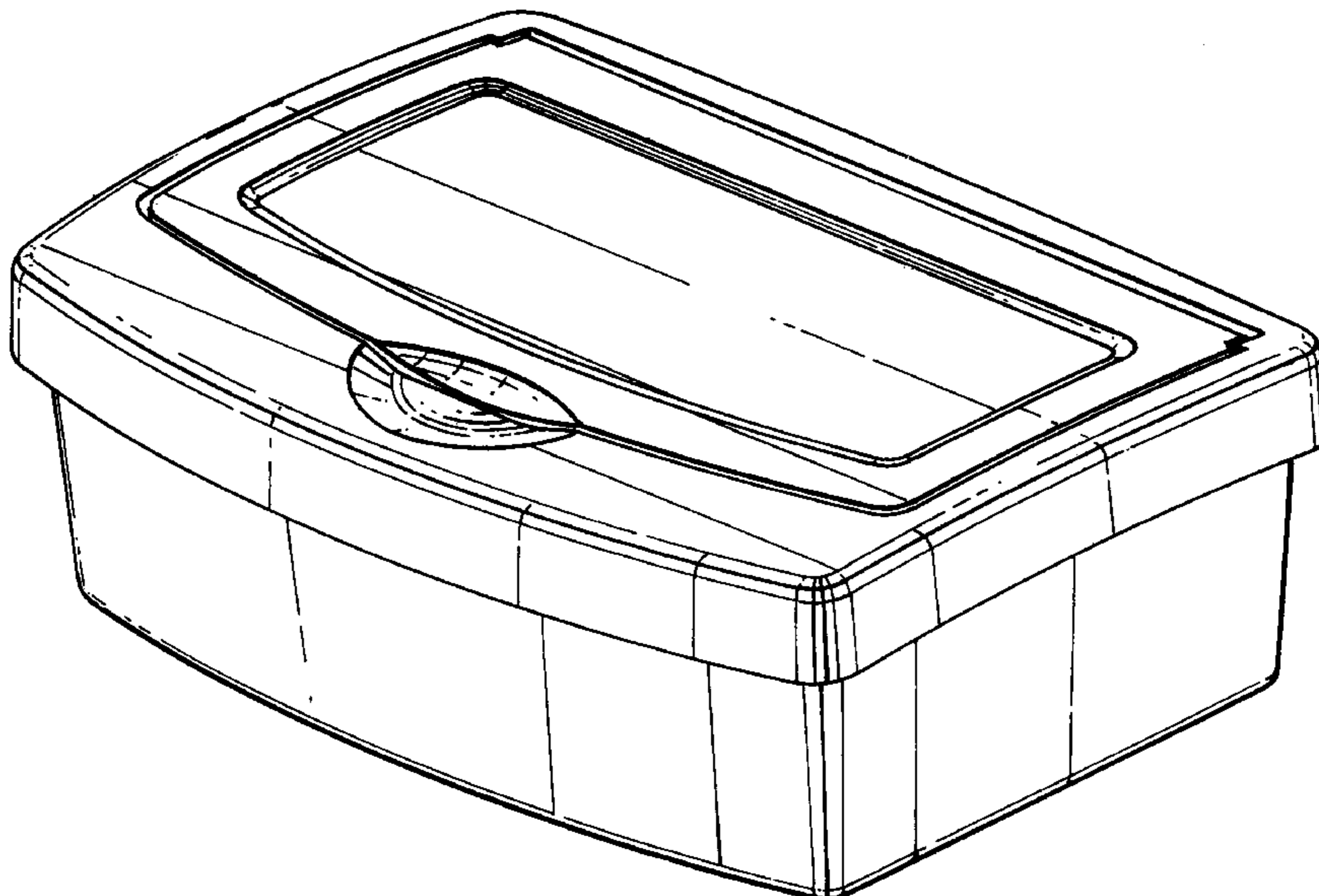


Fig. 1.

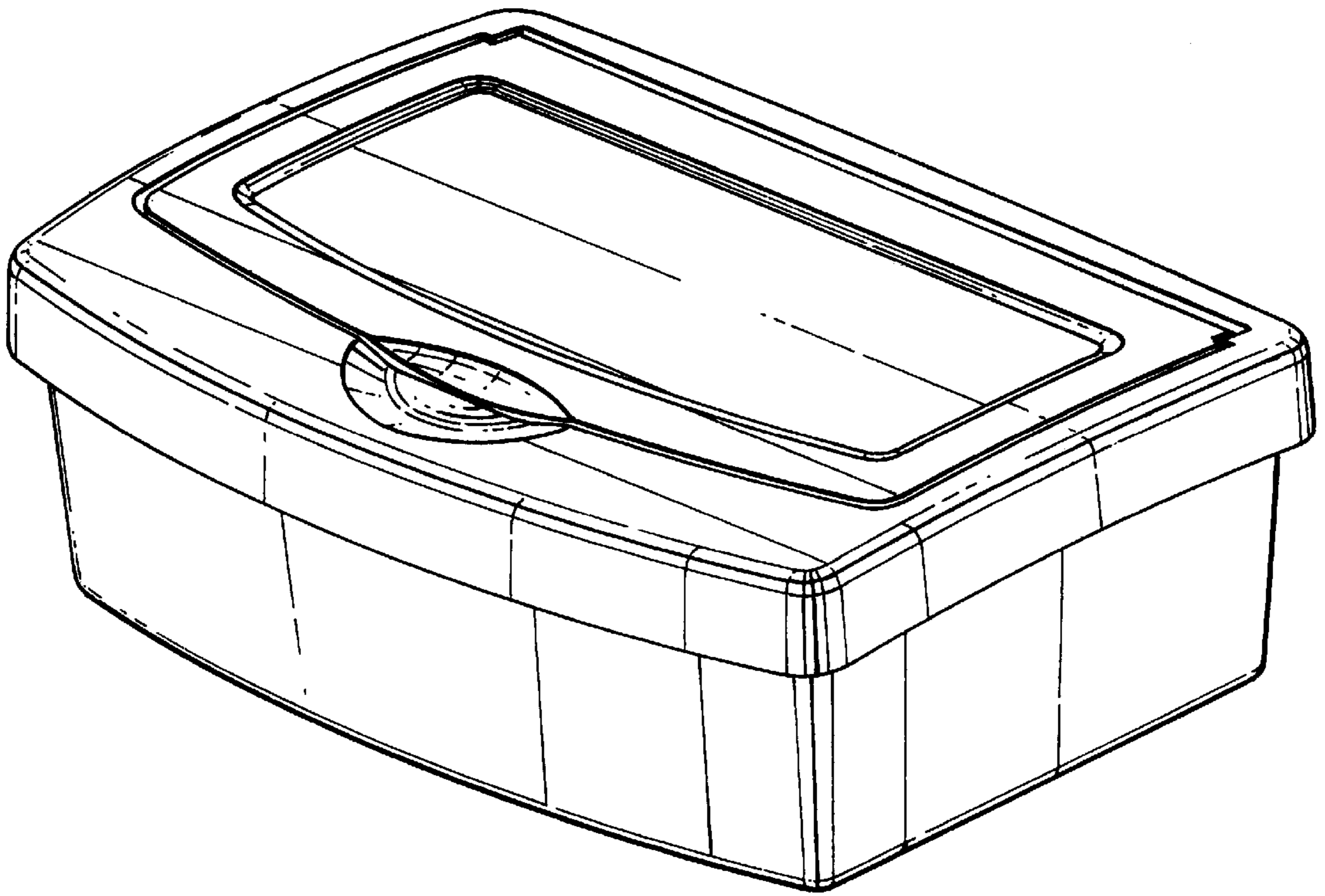


Fig.2.

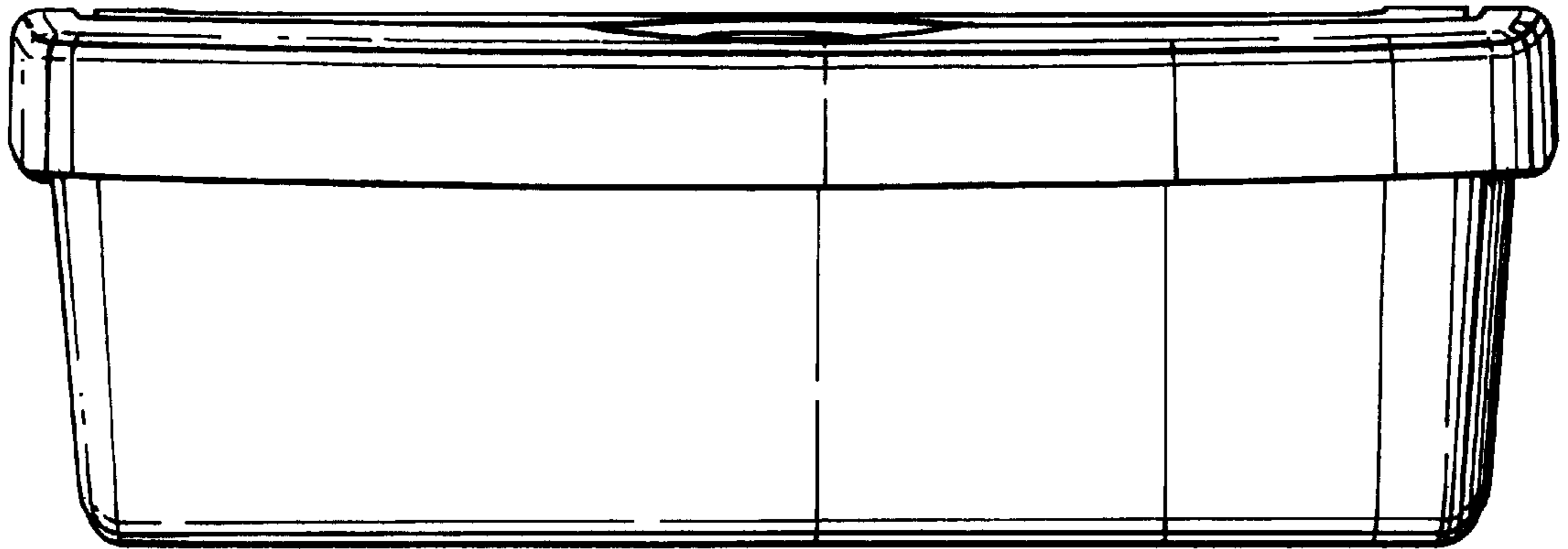


Fig.3.

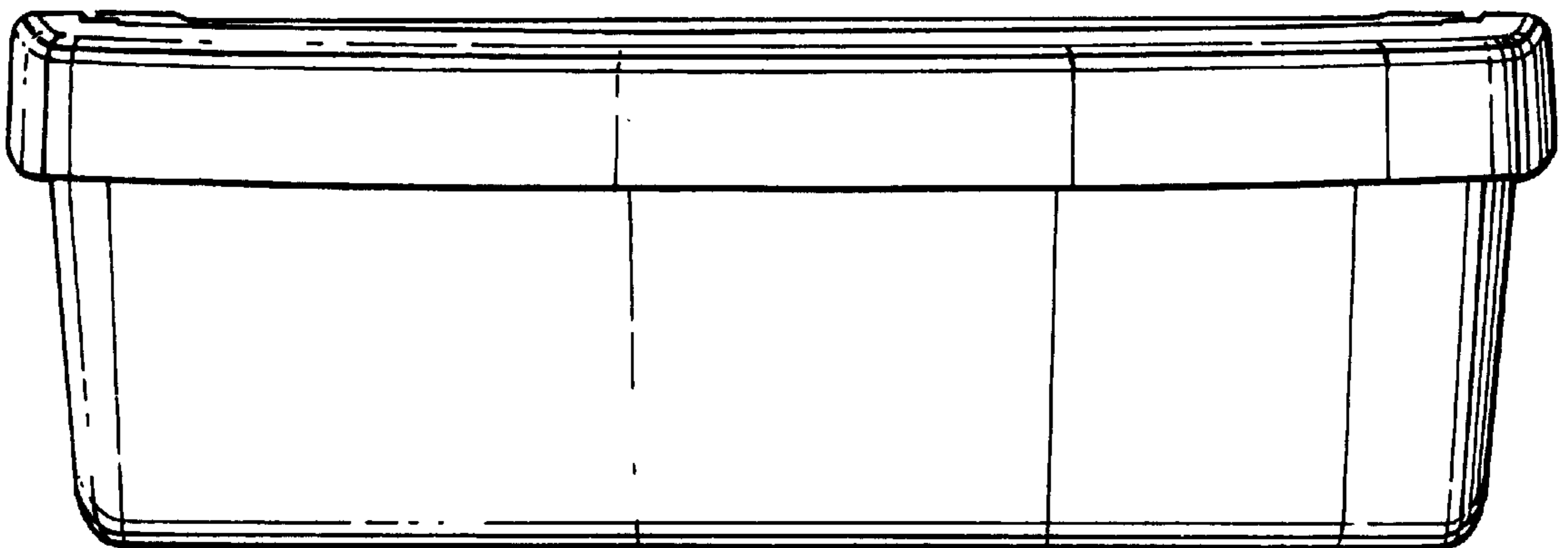


Fig.4.

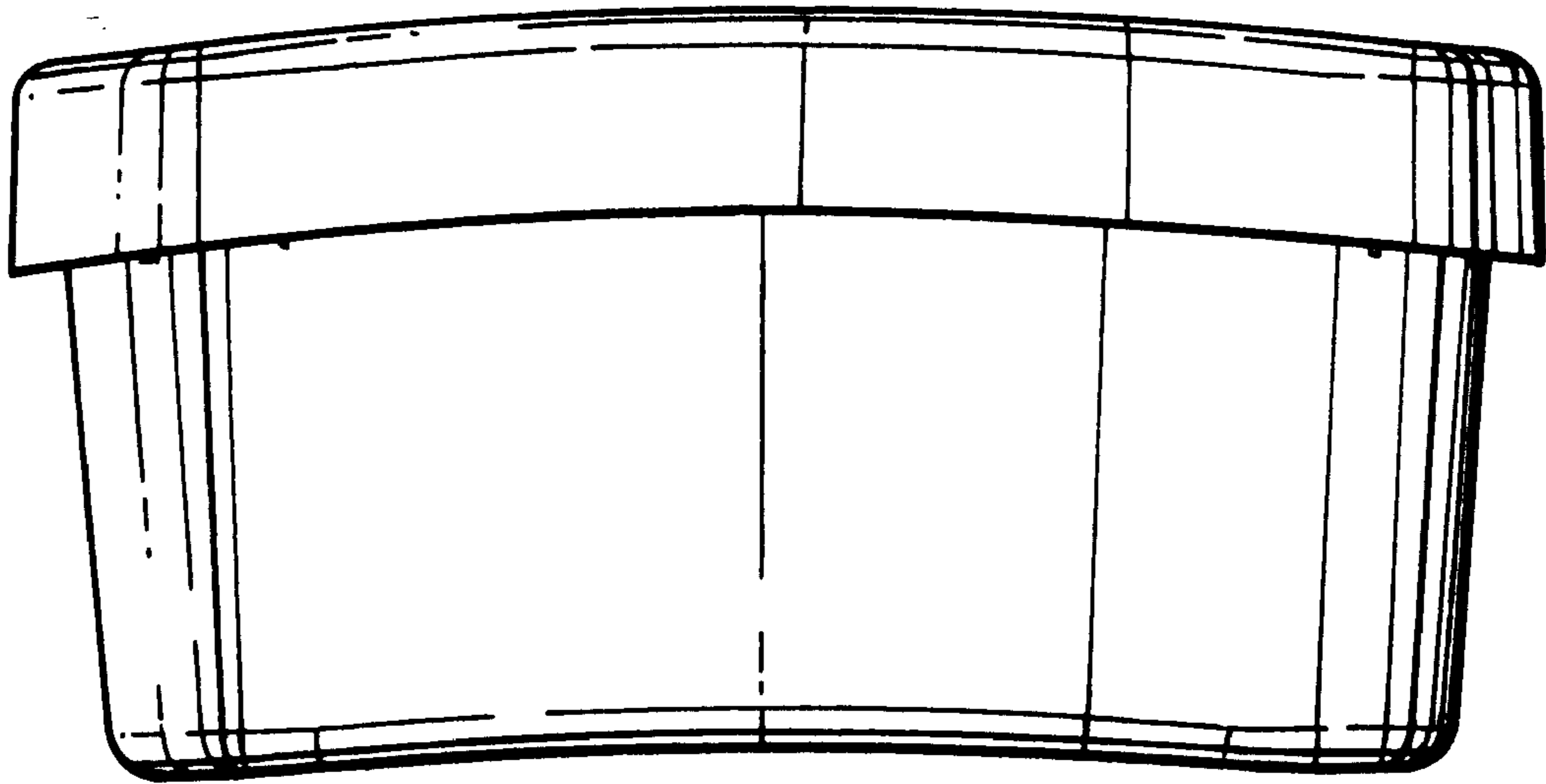


Fig.5.

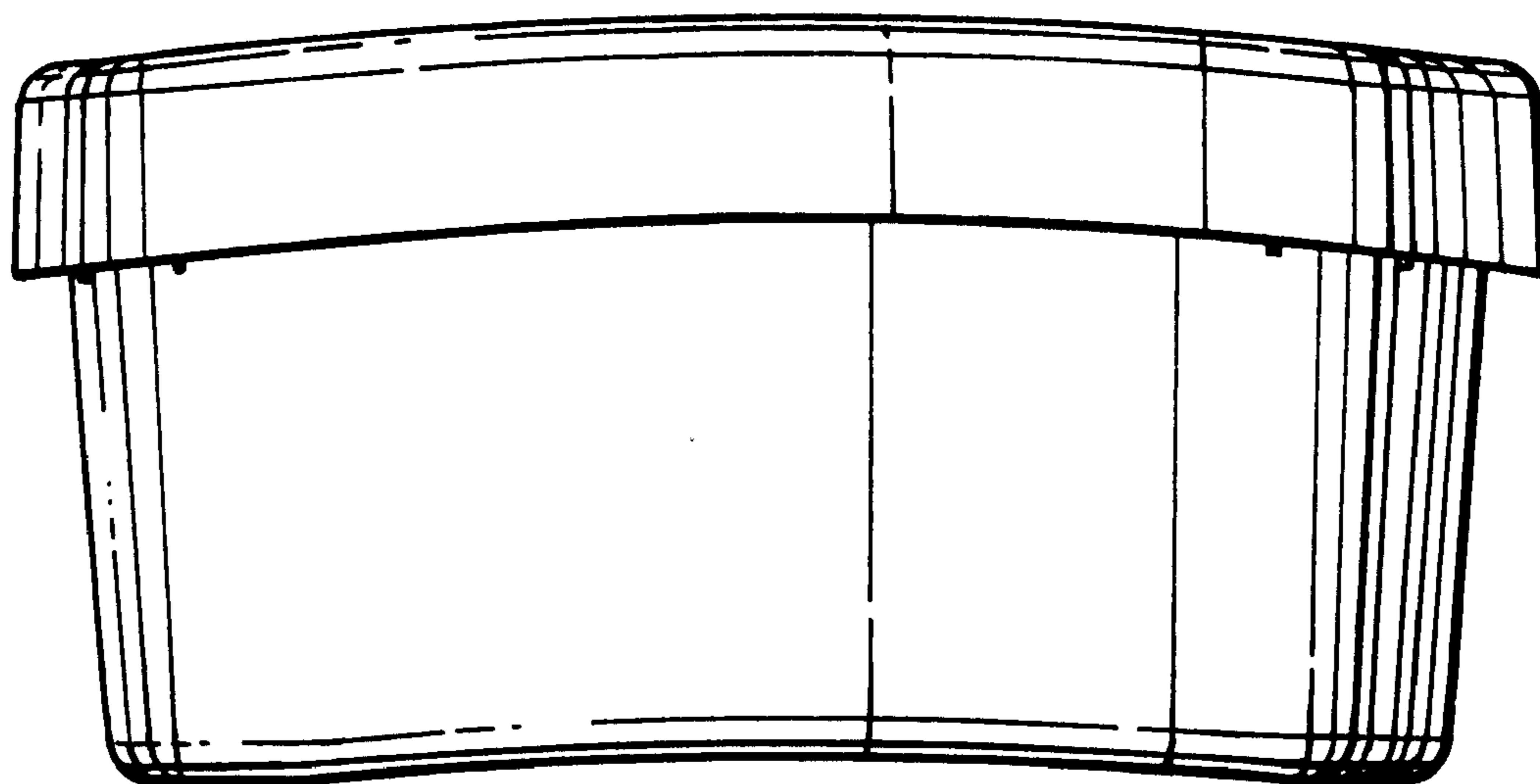


Fig.6.

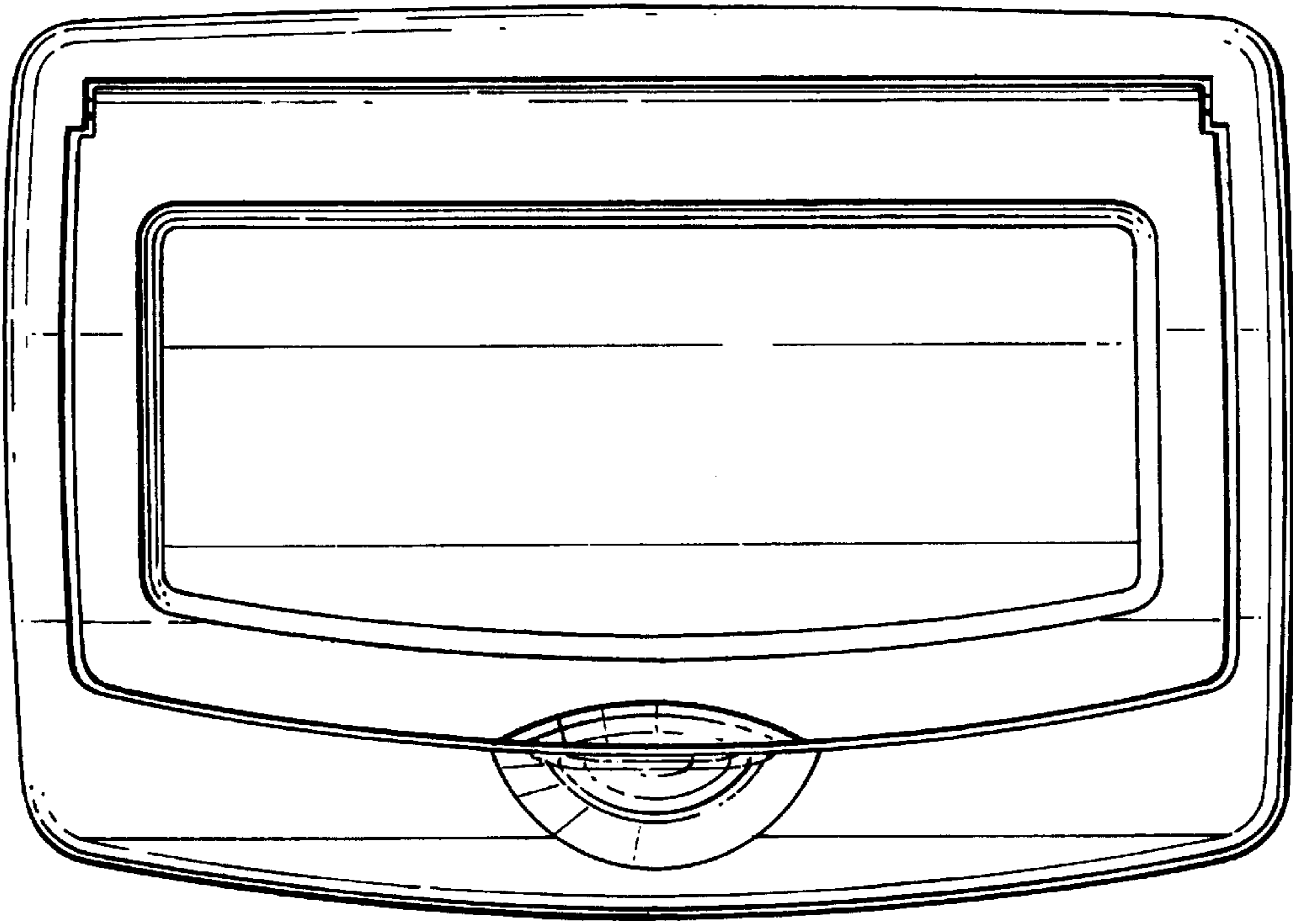


Fig.7.

