



US00D442080S

(12) **United States Design Patent**  
**Crawford**

(10) **Patent No.:** **US D442,080 S**

(45) **Date of Patent:** **\*\* May 15, 2001**

(54) **DISPENSER**

(75) Inventor: **John C. Crawford**, Mahopac, NY (US)

(73) Assignee: **Colgate-Palmolive Company**, New York, NY (US)

(\*\*) Term: **14 Years**

(21) Appl. No.: **29/097,427**

(22) Filed: **Jul. 8, 1998**

**Related U.S. Application Data**

(63) Continuation-in-part of application No. 29/082,390, filed on Jan. 21, 1998.

(51) **LOC (7) Cl.** ..... **09-07**

(52) **U.S. Cl.** ..... **D9/338**

(58) **Field of Search** ..... D9/337, 338, 339, D9/503, 517-520, 529, 571-575; D28/7, 76, 82; 206/229, 581, 823; 401/95, 172, 175, 176, 179

(56) **References Cited**

**U.S. PATENT DOCUMENTS**

D. 308,476 \* 6/1990 Rosenberg ..... D9/338

D. 317,832 \* 7/1991 Demarest ..... D9/529 X  
D. 332,914 \* 2/1993 Stephens ..... D9/338  
718,969 \* 1/1903 Altshul ..... 401/176  
4,588,320 \* 5/1986 Weinstein ..... 401/209 X  
5,051,016 \* 9/1991 Bengston ..... 401/213

\* cited by examiner

*Primary Examiner*—Nanda Bondade

(74) *Attorney, Agent, or Firm*—Michael McGreal

(57) **CLAIM**

The ornamental design for a dispenser, as shown and described.

**DESCRIPTION**

FIG. 1 is an exploded perspective view of a dispenser showing my new design;

FIG. 2 is a right side elevational view thereof, the left side view being a mirror image;

FIG. 3 is a front elevation view thereof.

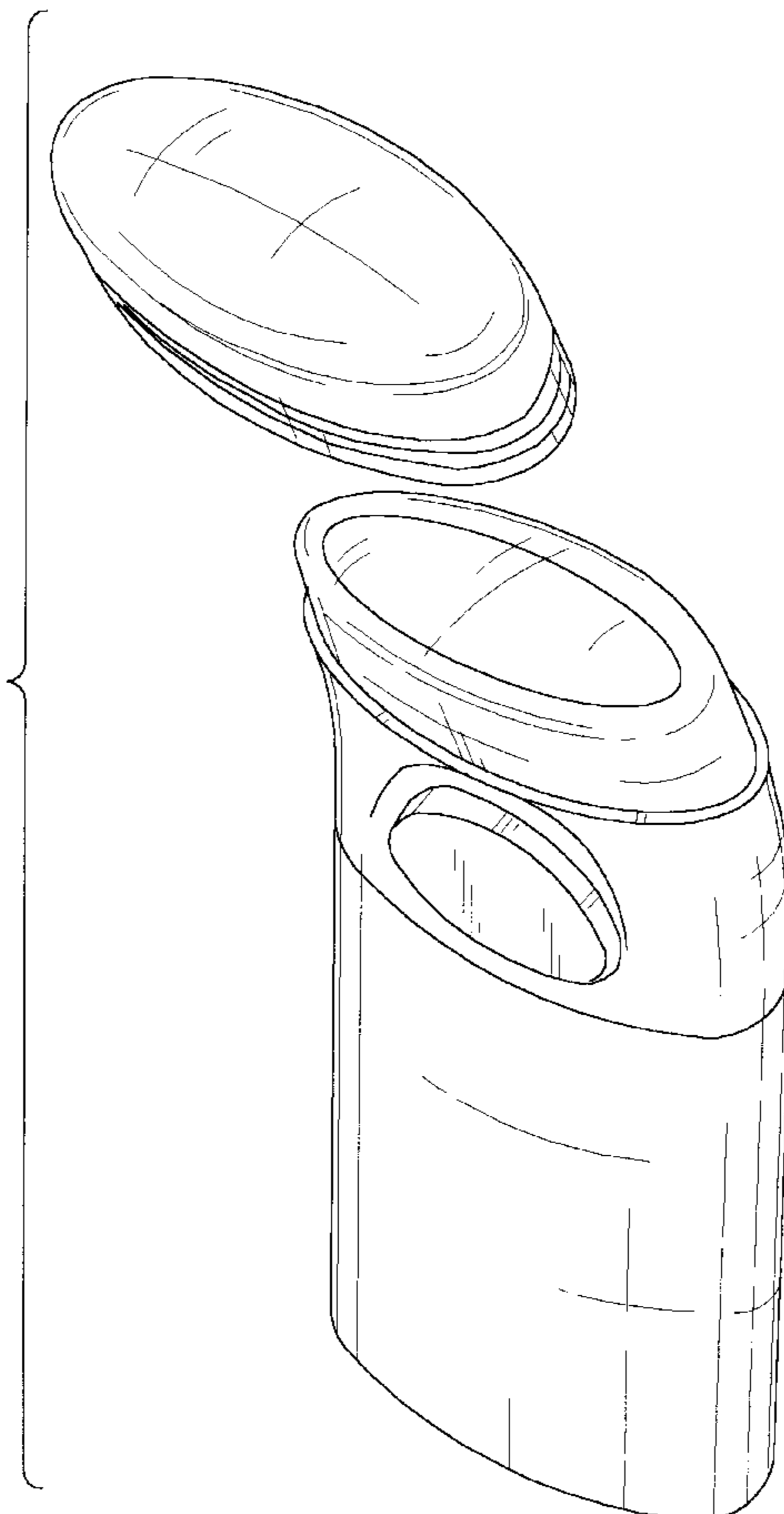
FIG. 4 is a rear elevation view thereof.

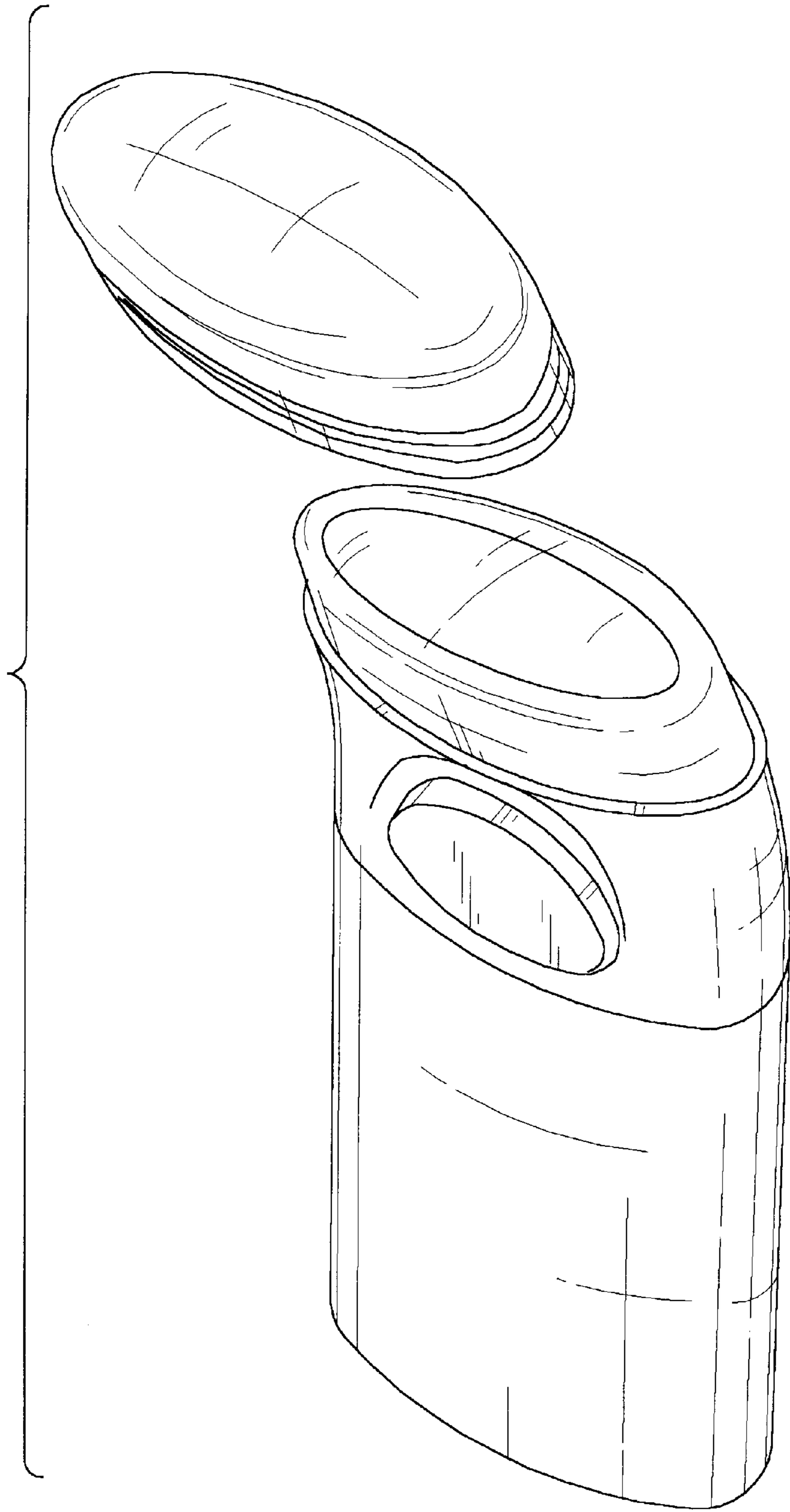
FIG. 5 is a top plan view thereof; and,

FIG. 6 is a bottom plan view thereof.

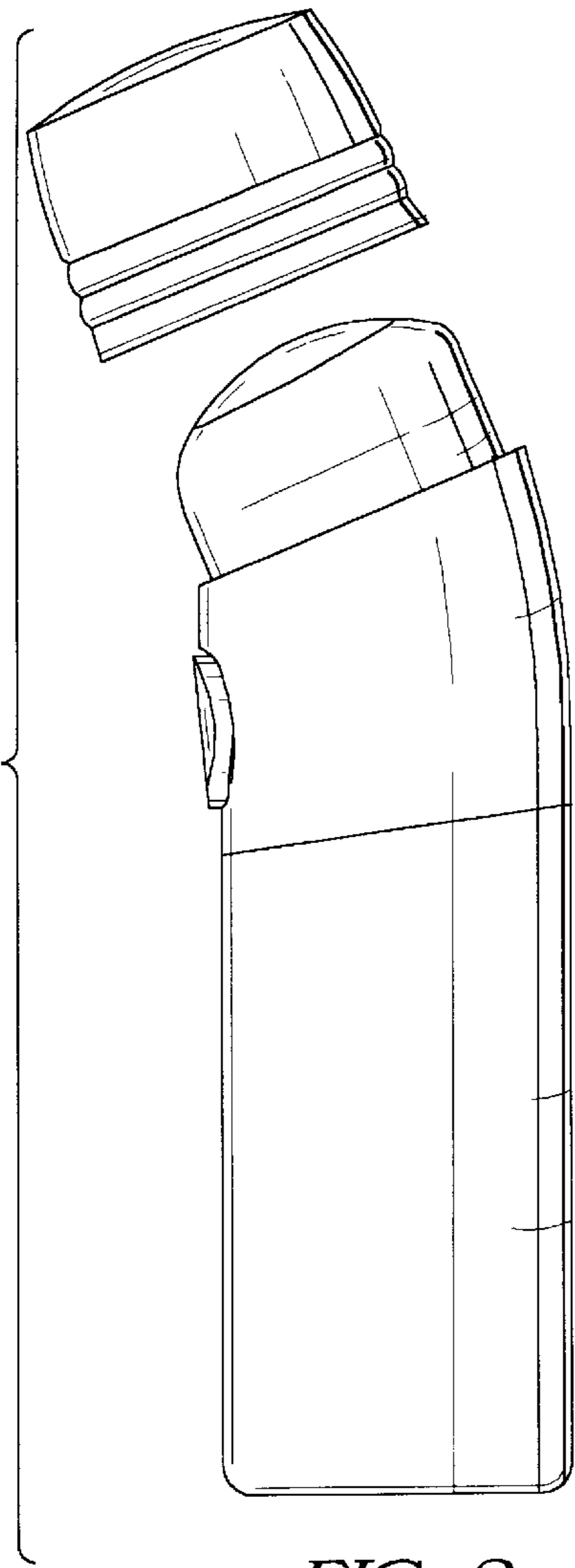
The undisclosed inside views of the cap form no part of the claimed design.

**1 Claim, 3 Drawing Sheets**

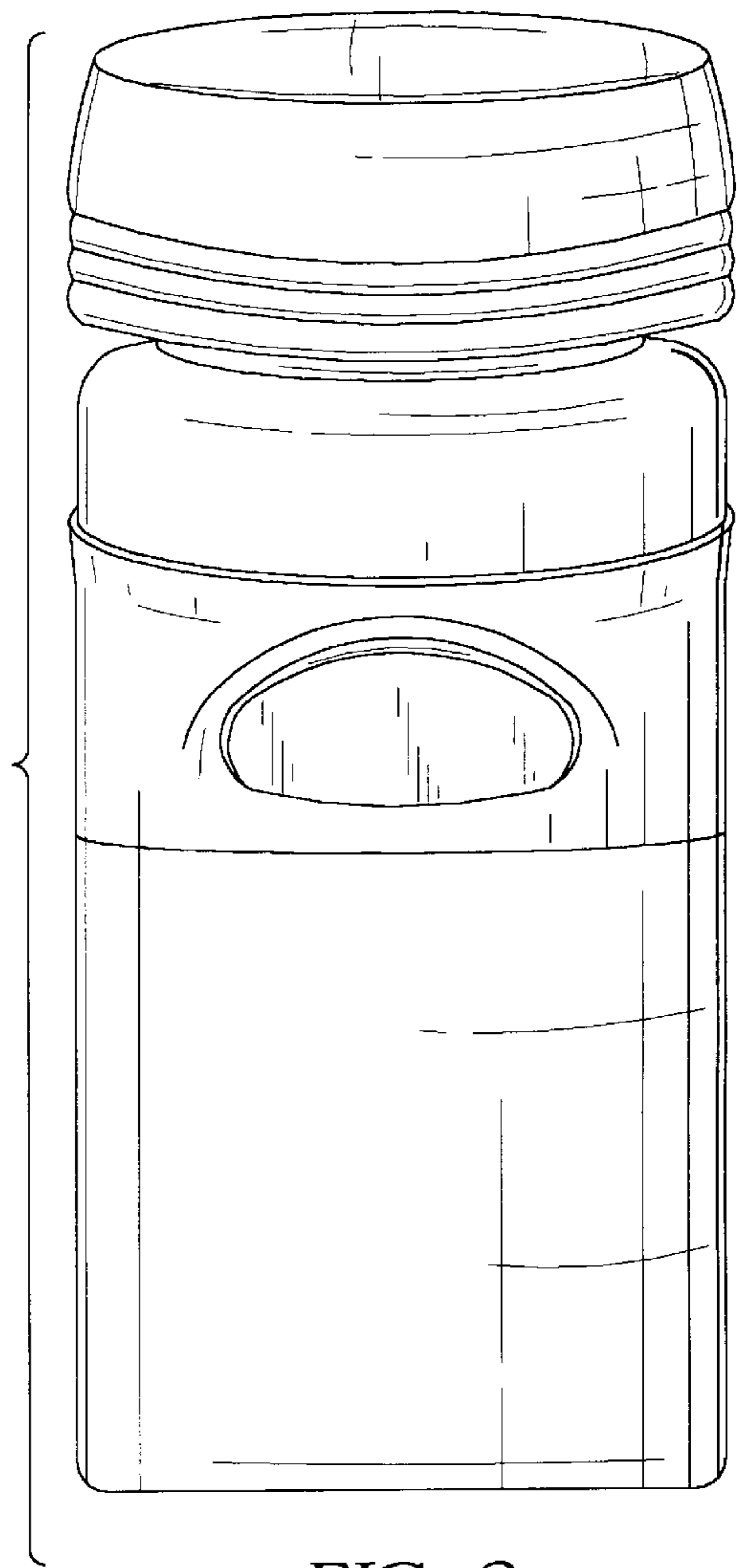




*FIG. 1*



*FIG. 2*



*FIG. 3*

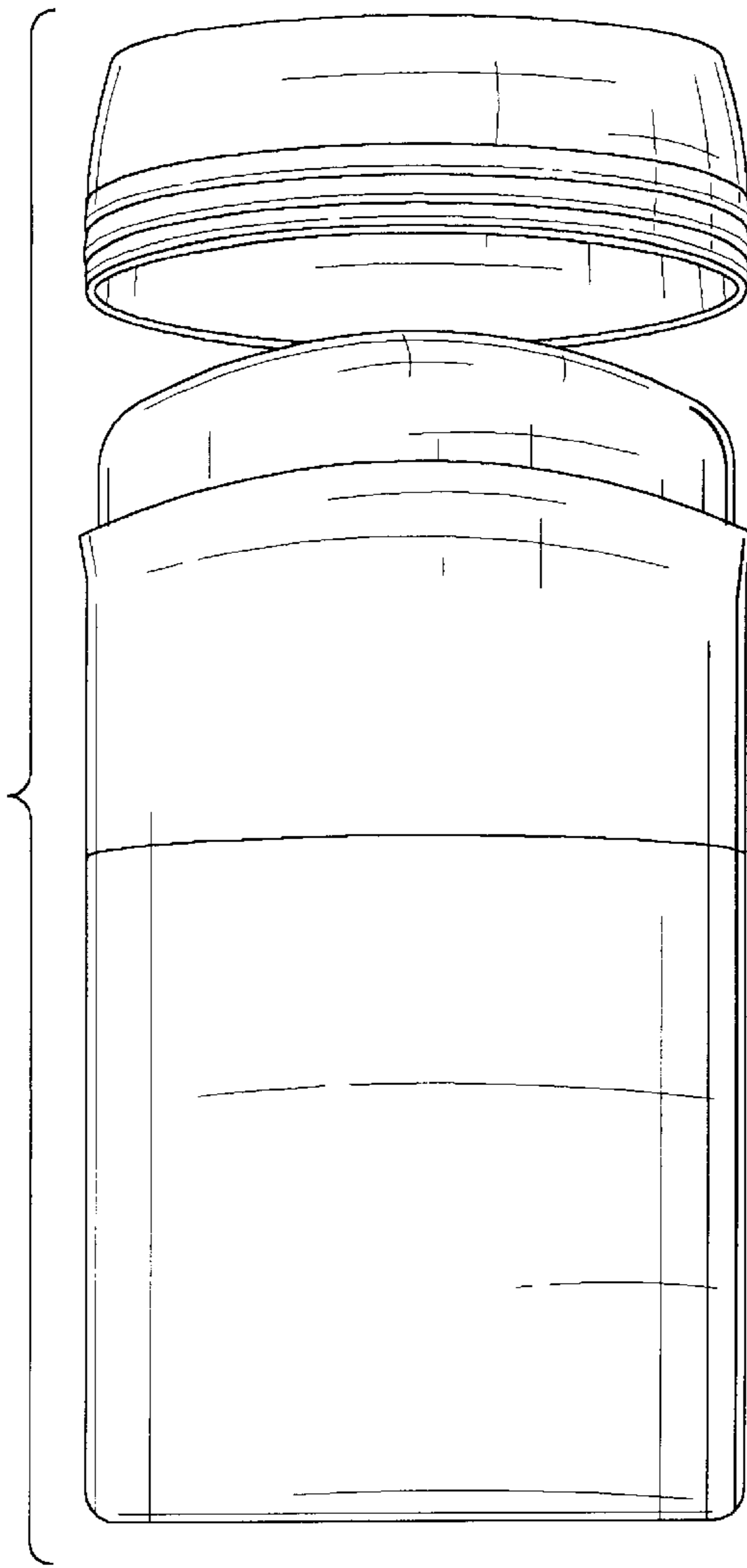


FIG. 4

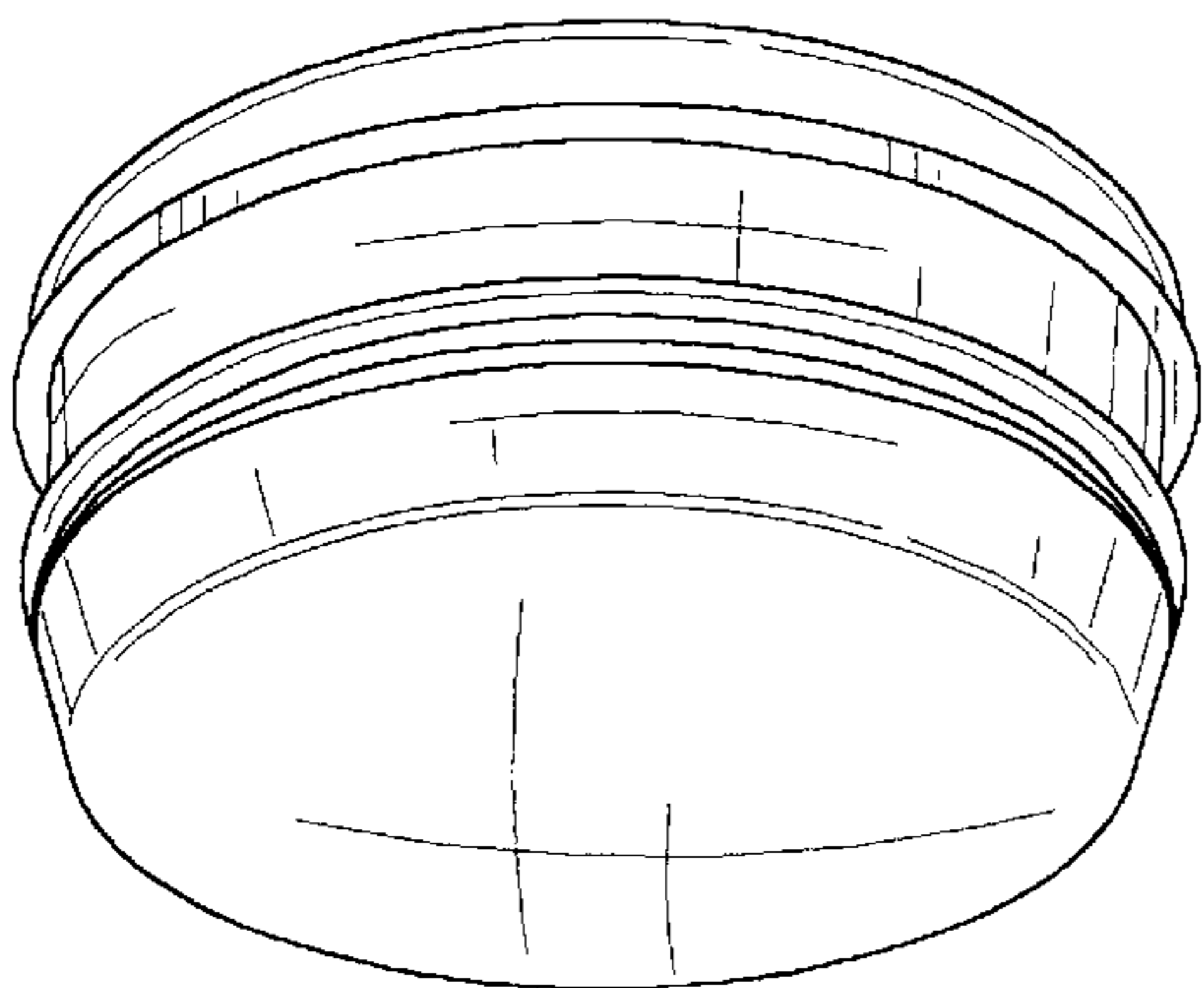


FIG. 5

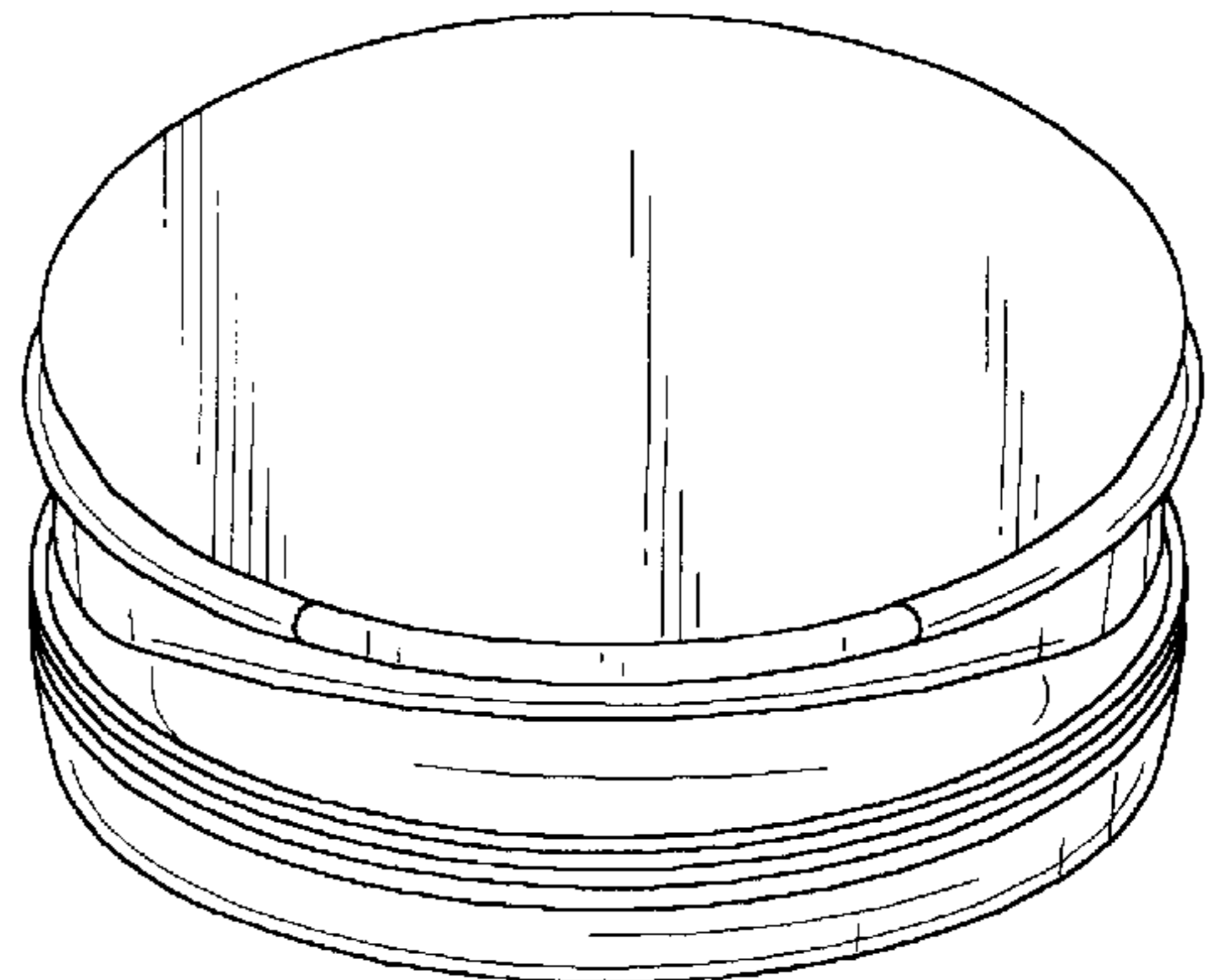


FIG. 6