



US00D442077S

(12) **United States Design Patent**
Crooks et al.

(10) **Patent No.:** **US D442,077 S**

(45) **Date of Patent:** **** May 15, 2001**

(54) **SELF-ADJUSTING DRAWER SLIDE SOCKET**

Primary Examiner—Holly Baynham

(75) Inventors: **Timothy K. Crooks**, Winston Salem;
Farrell Smith, Sophia, both of NC
(US)

(57) **CLAIM**

The ornamental design for a self-adjusting drawer slide socket, as shown and described.

(73) Assignee: **Hughes Supply and Mfg. Co. of
Thomasville, Inc.**, Thomasville, NC
(US)

DESCRIPTION

(**) Term: **14 Years**

FIG. 1 is a front, top left side perspective view of a self-adjusting drawer slide socket with the slide in the left-most position embodying our design;

(21) Appl. No.: **29/124,243**

FIG. 2 is a front, top right side perspective view of the self-adjusting drawer slide socket as seen in FIG. 1 with the slide in the right-most position;

(22) Filed: **Jun. 5, 2000**

(51) **LOC (7) Cl.** **08-05**

FIG. 3 is a top view of the self-adjusting drawer slide socket as seen in FIG. 2 with the slide in the right-most position;

(52) **U.S. Cl.** **D8/374**

FIG. 4 is a bottom view of the self-adjusting drawer slide socket as seen in FIG. 2;

(58) **Field of Search** D8/374; D6/510;
312/334.1

FIG. 5 is a rear view thereof;

(56) **References Cited**

FIG. 6 is a right side view thereof; and,

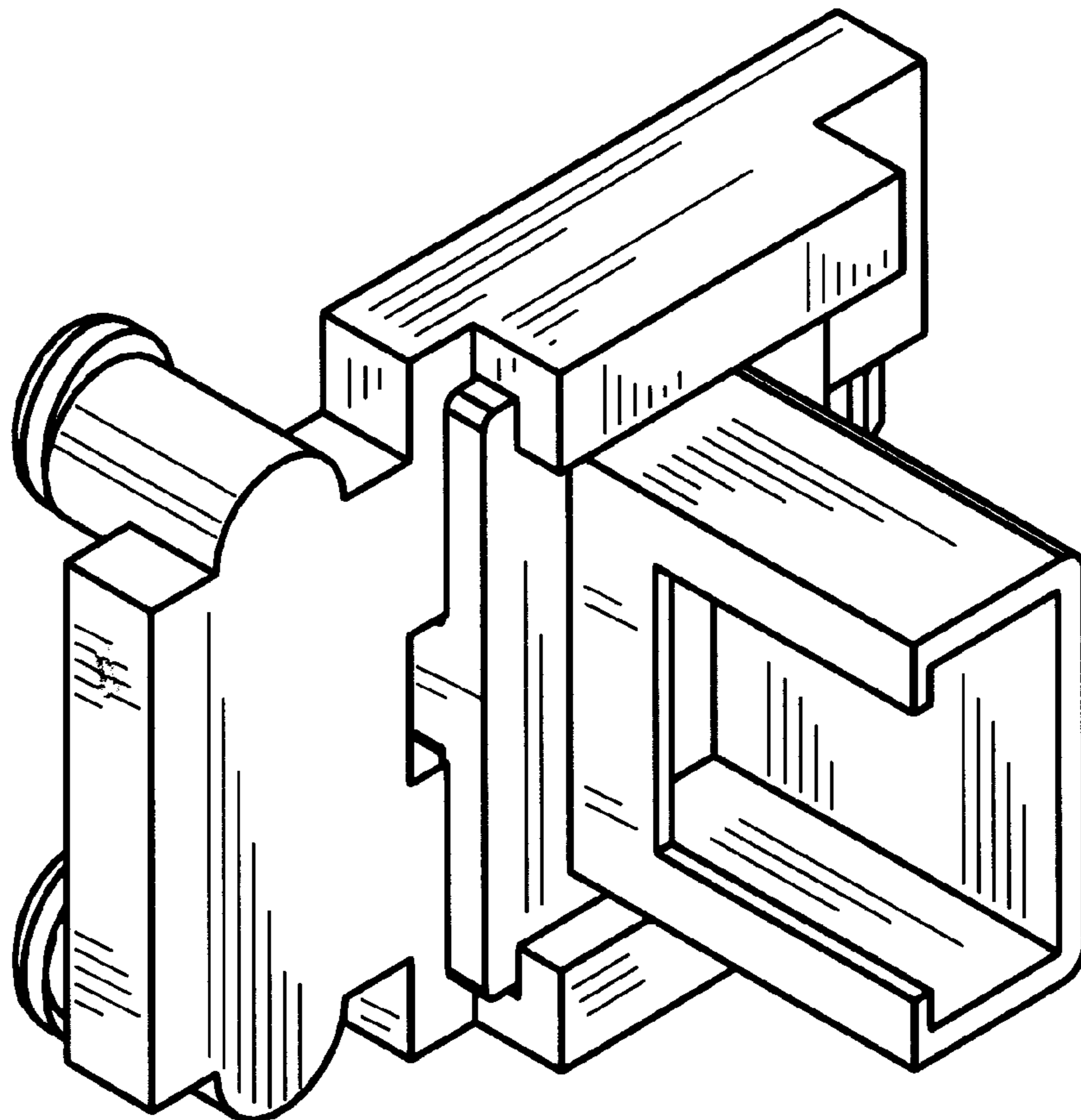
U.S. PATENT DOCUMENTS

FIG. 7 is a left side view thereof.

D. 270,413 * 9/1983 Gutner et al. D8/374

* cited by examiner

1 Claim, 3 Drawing Sheets



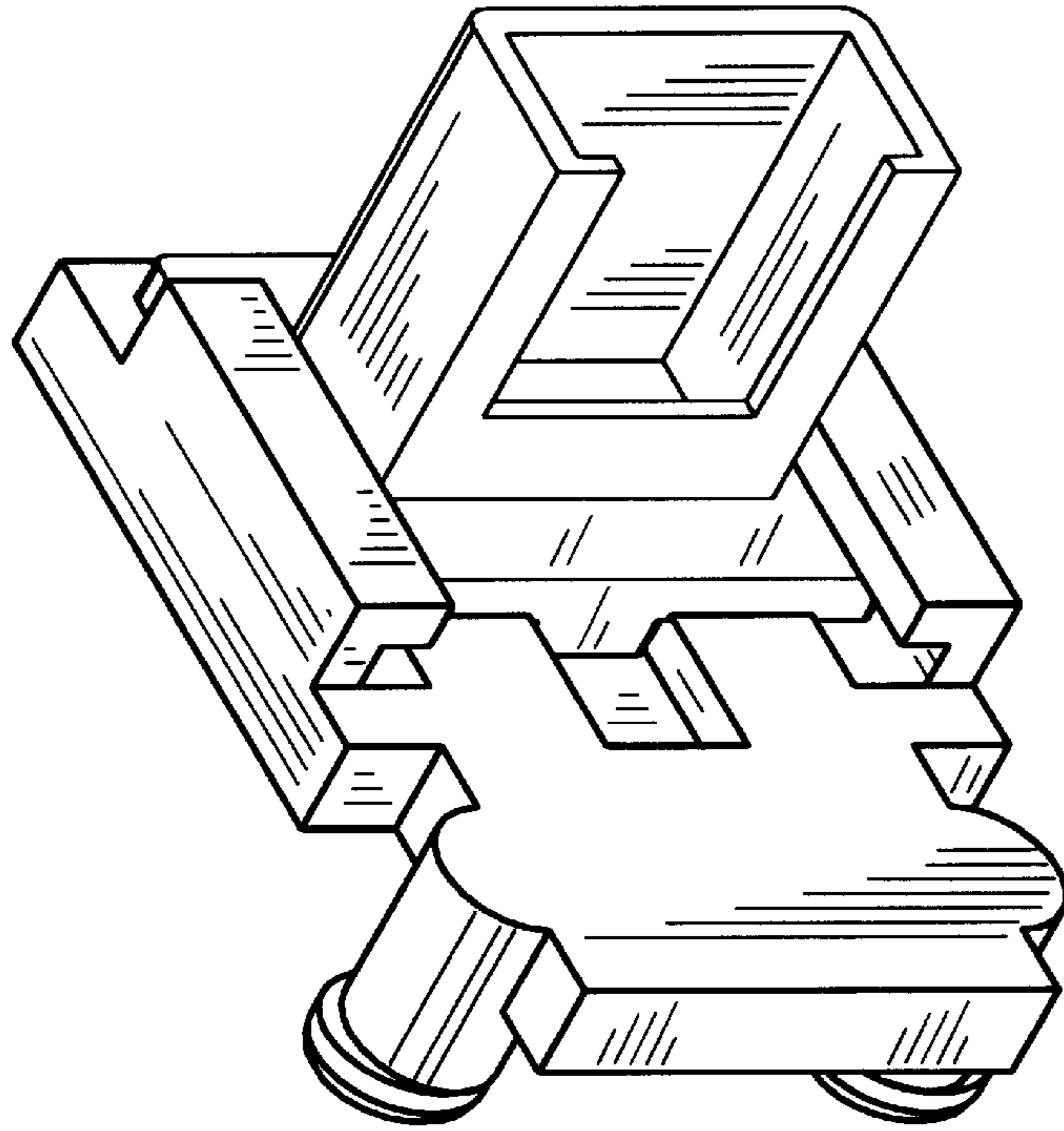


FIG. 2

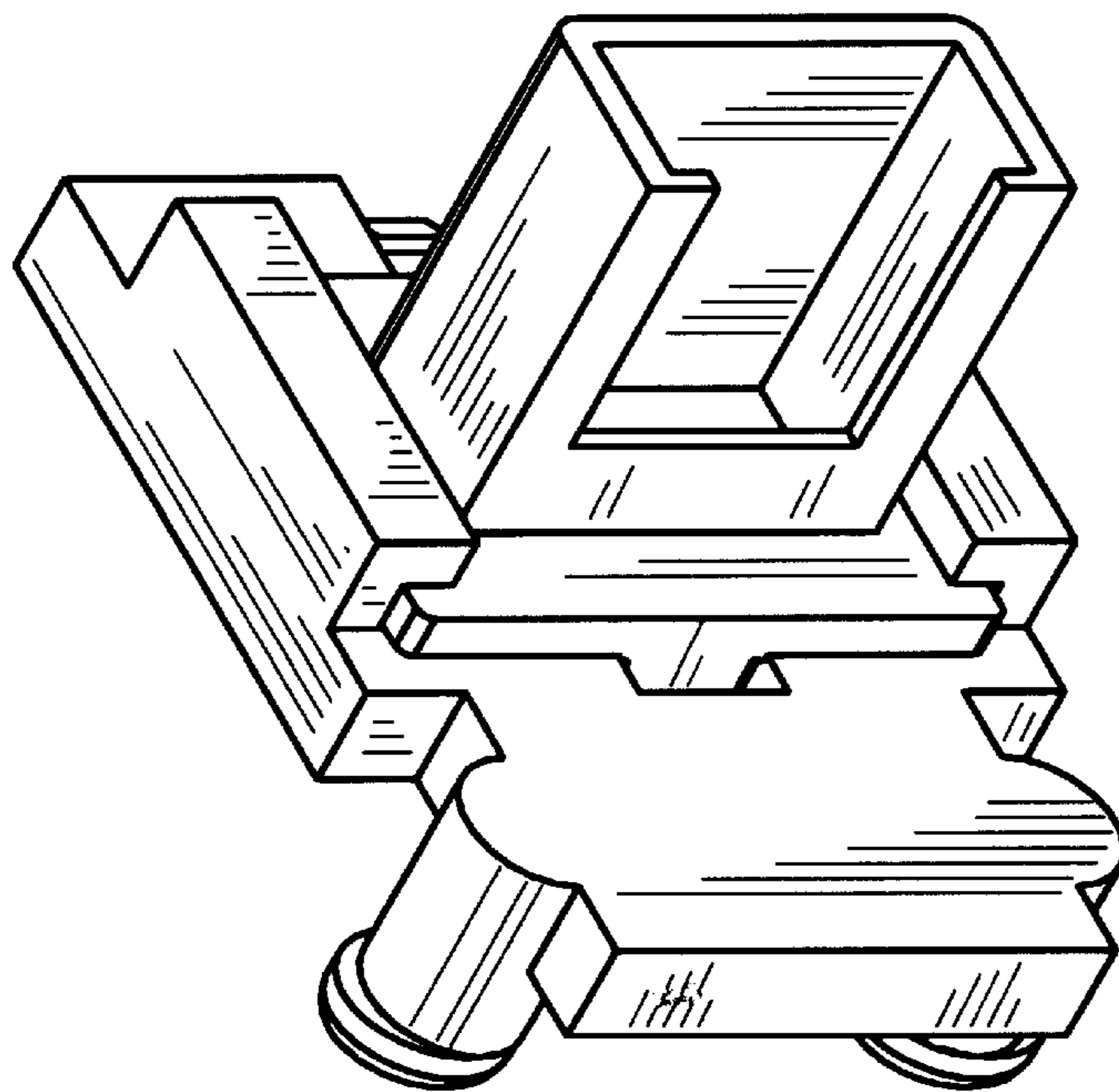


FIG. 1

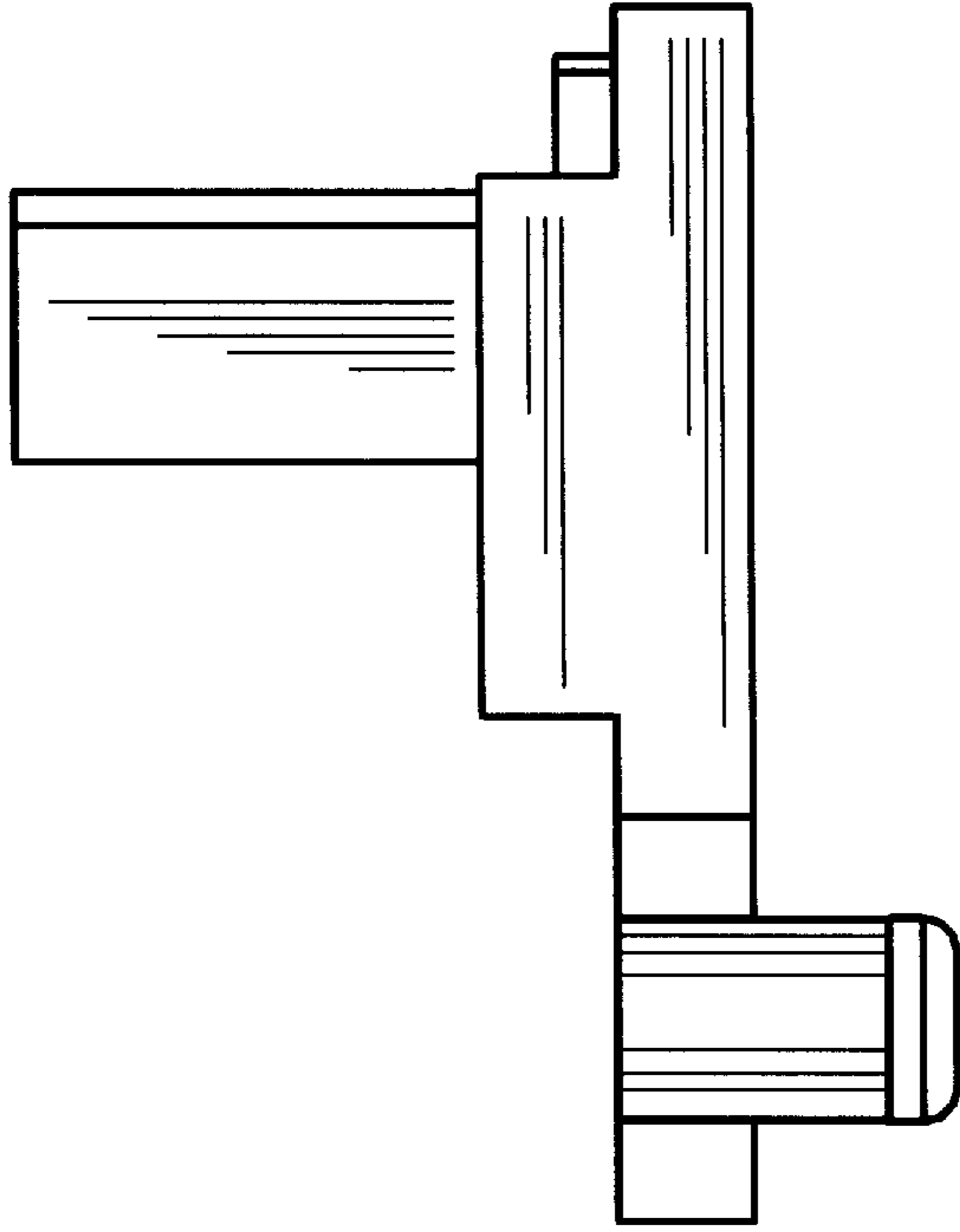


FIG. 3

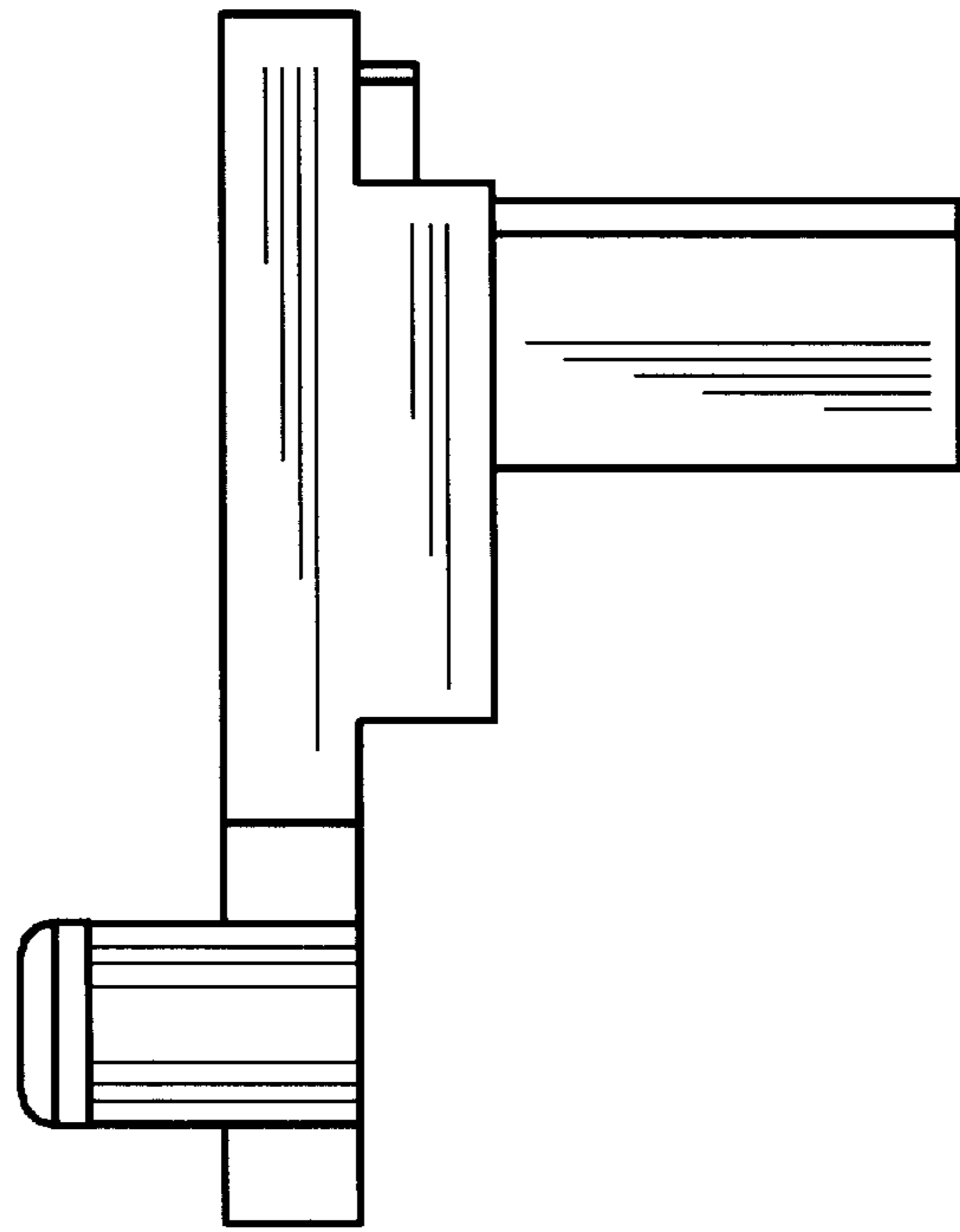


FIG. 4

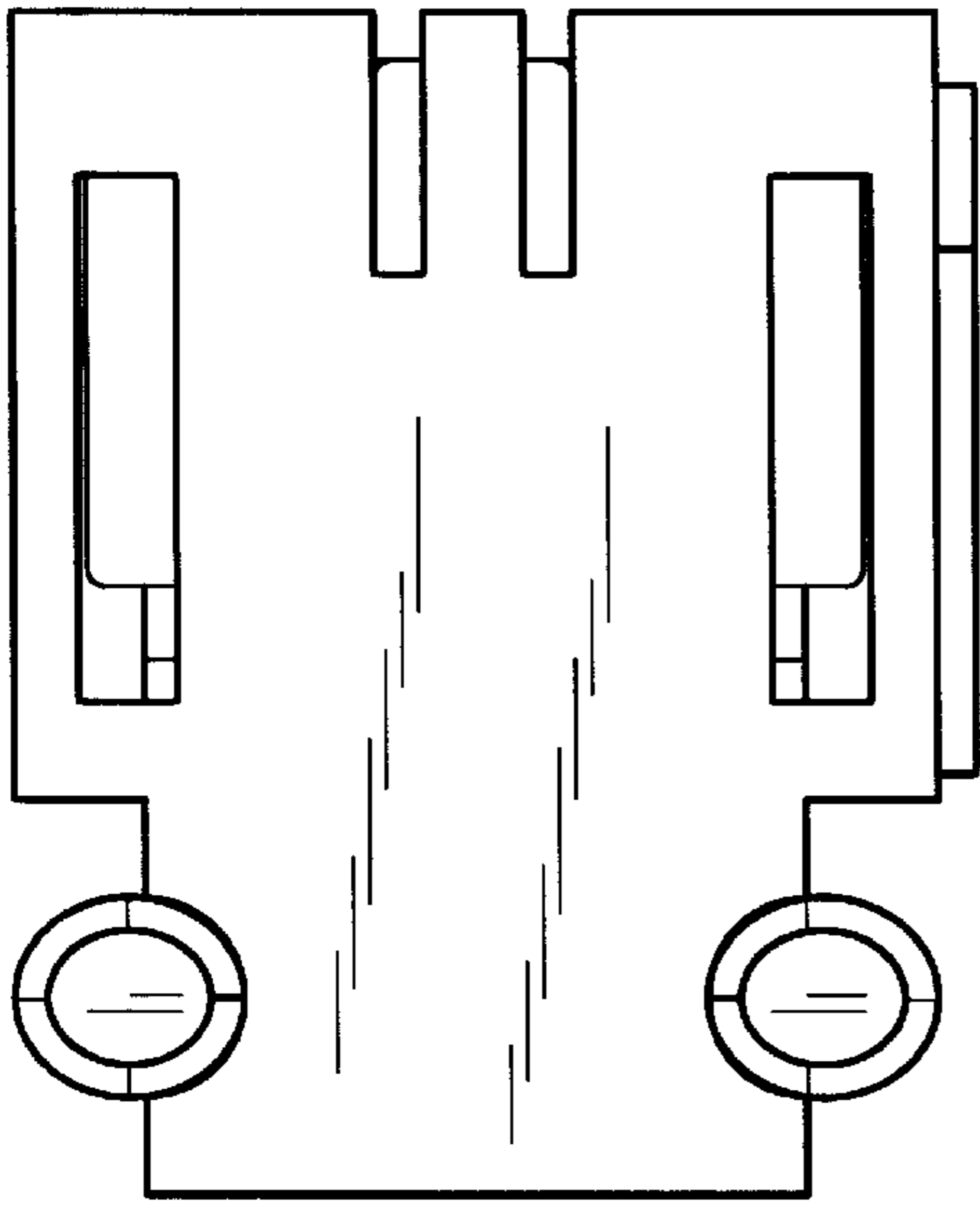


FIG. 5

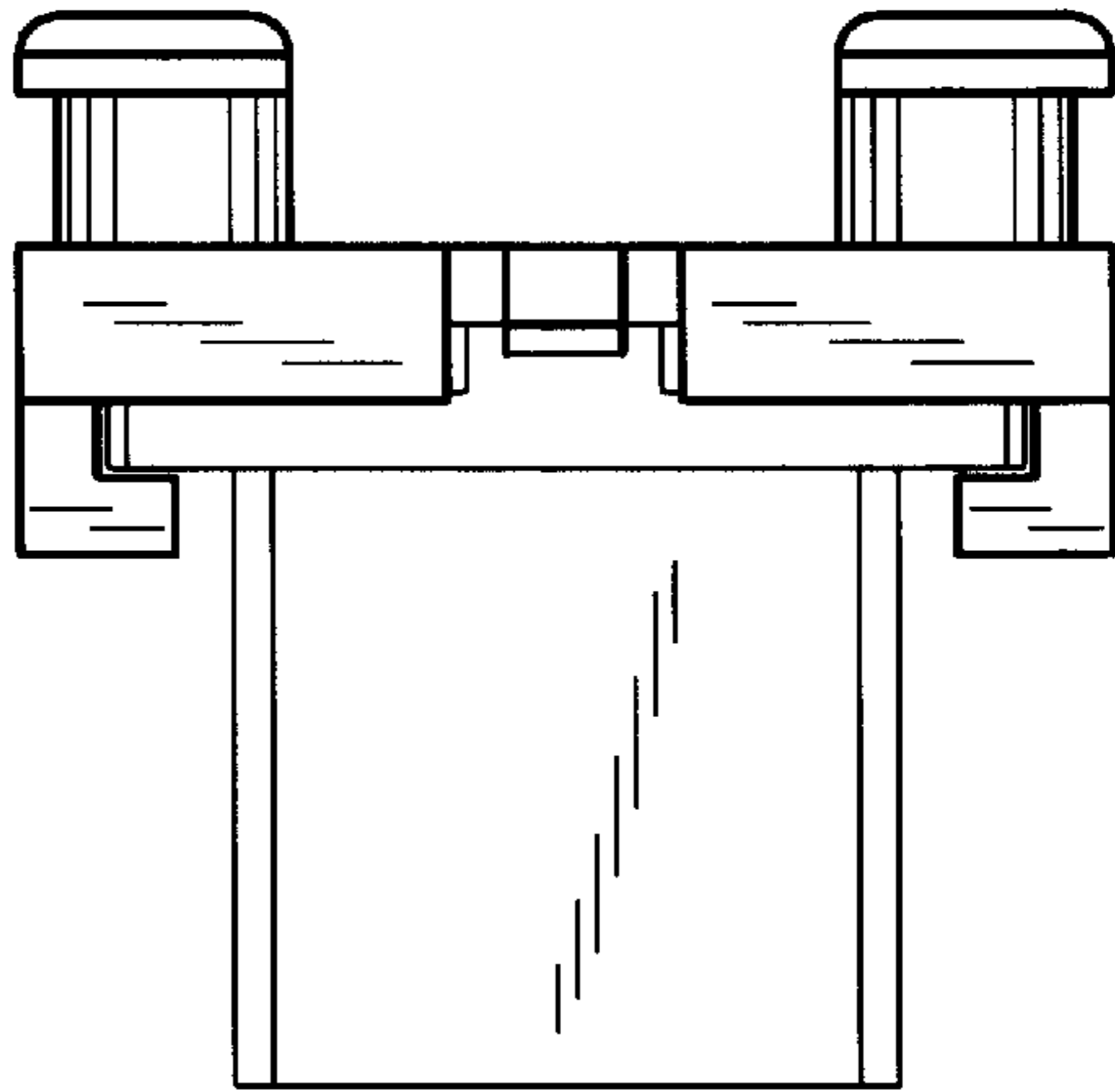


FIG. 6

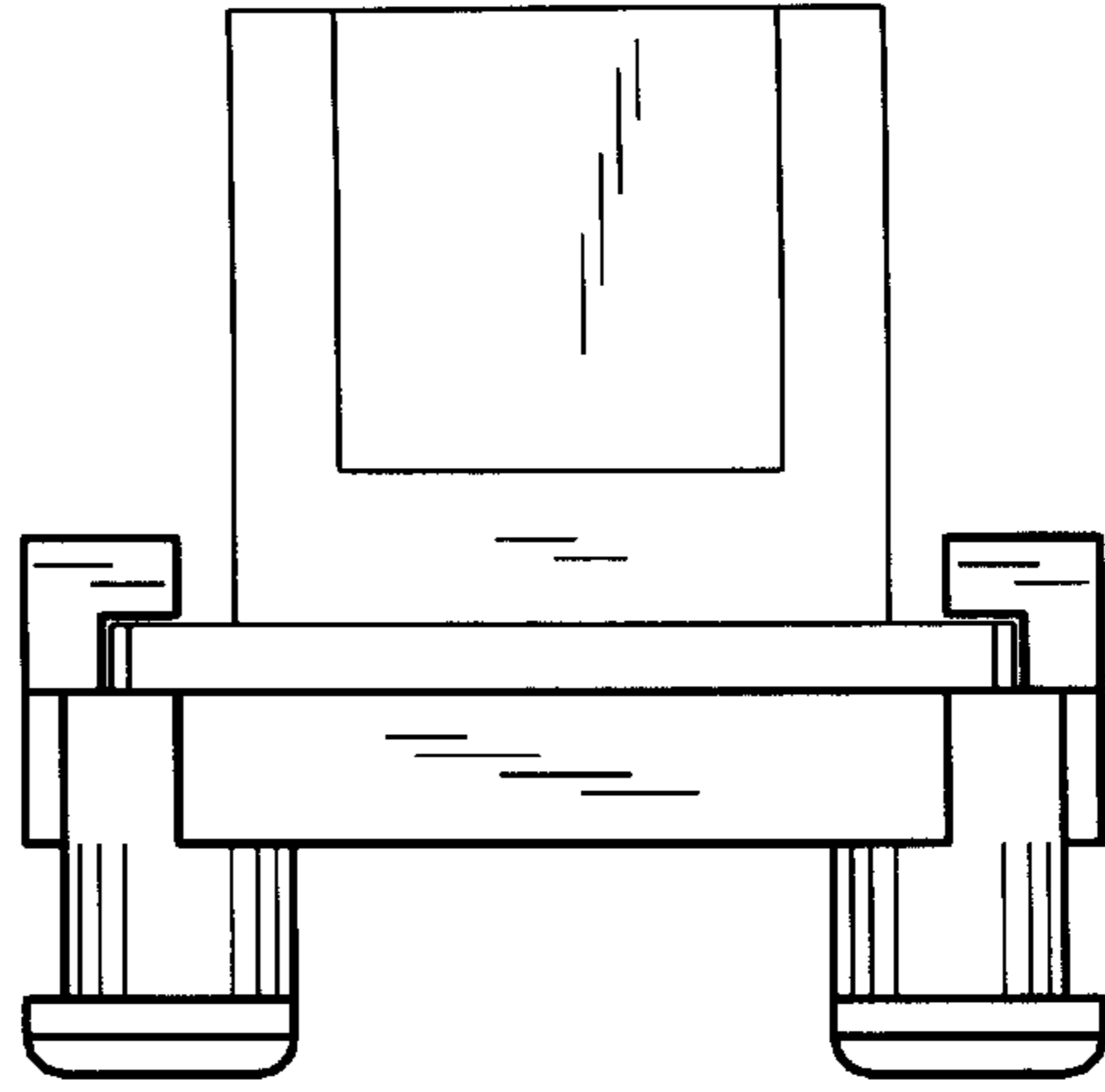


FIG. 7