



US00D442071S

(12) **United States Design Patent** (10) **Patent No.:** **US D442,071 S**
Striebel (45) **Date of Patent:** **** May 15, 2001**

(54) **WALL/CEILING CLIP**

(75) Inventor: **Roman F. Striebel**, Duxbury, MA (US)

(73) Assignee: **Suncor Stainless, Inc.**, Pembroke, MA (US)

(**) Term: **14 Years**

(21) Appl. No.: **29/125,561**

(22) Filed: **Jun. 23, 2000**

(51) **LOC (7) Cl.** **08-05**

(52) **U.S. Cl.** **D8/367**

(58) **Field of Search** **D8/367, 382; 24/265 H**

(56) **References Cited**

U.S. PATENT DOCUMENTS

- D. 391,840 * 3/1998 Striebel D8/367
- D. 399,127 * 10/1998 Messer D8/367

OTHER PUBLICATIONS

Wilcox-Crittendon catalog, Dec. 1987, p. 23, towing hook, located at the top left side of page.*
Catalog of Suncor Stainless, Published Jan. 1999, pp. 29 and 39.

* cited by examiner

Primary Examiner—Holly Baynham
(74) *Attorney, Agent, or Firm*—Perkins, Smith & Cohen, LLP; Jacob N. Erlich; Jerry Cohen

(57) **CLAIM**

The ornamental design for a wall/ceiling clip, as shown and described.

DESCRIPTION

FIG. 1 is a back view showing my new design of a wall/ceiling clip;

FIG. 2 is a first side view showing my new design of a wall/ceiling clip;

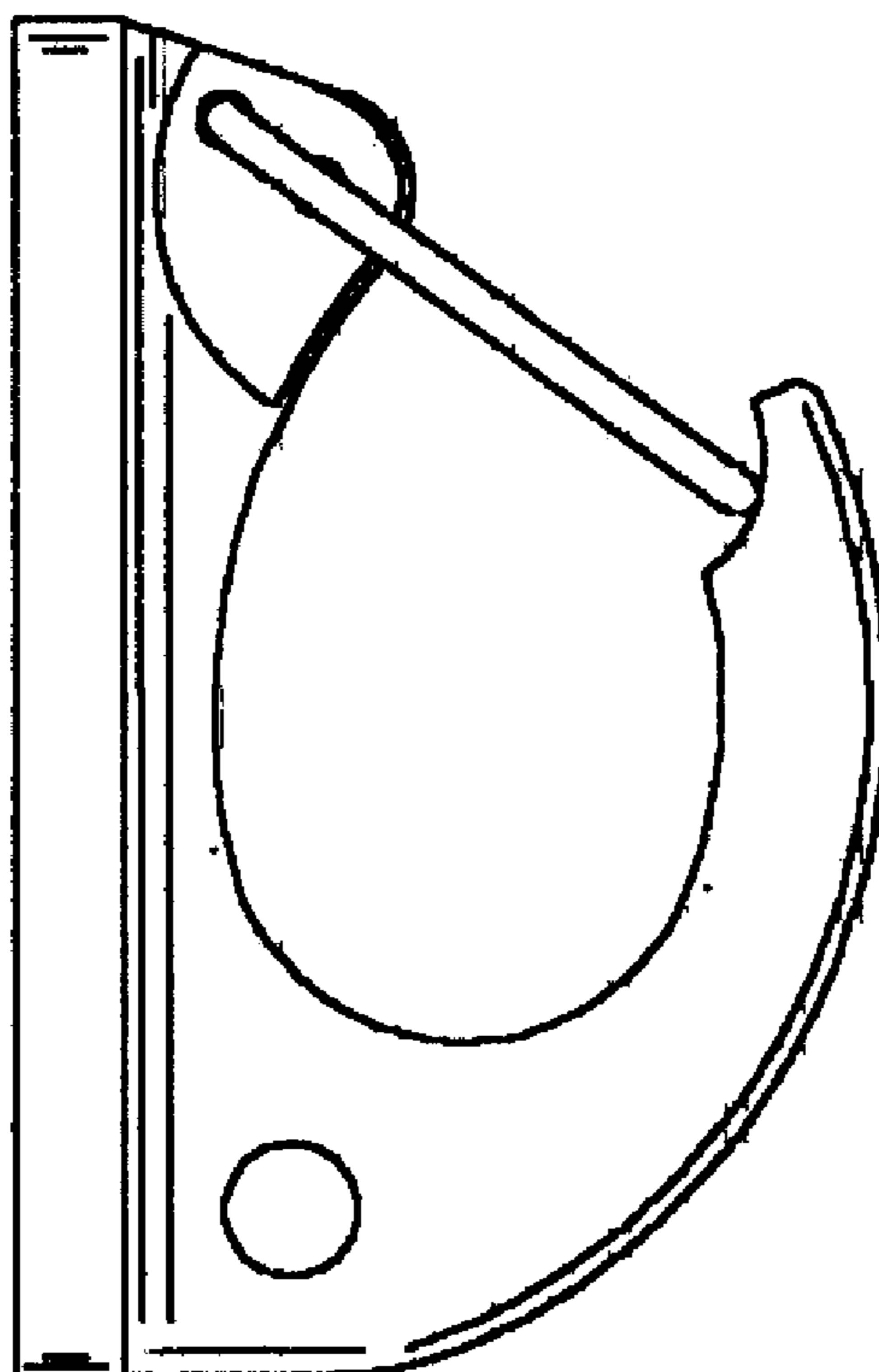
FIG. 3 is a front view of my new design of a wall/ceiling clip;

FIG. 4 is an second side view of my new design of a wall/ceiling clip taken on a side opposite the side shown in FIG. 2;

FIG. 5 is a bottom view of my new design of a wall/ceiling clip; and,

FIG. 6 is a top view of my new design of a wall/ceiling clip.

1 Claim, 1 Drawing Sheet



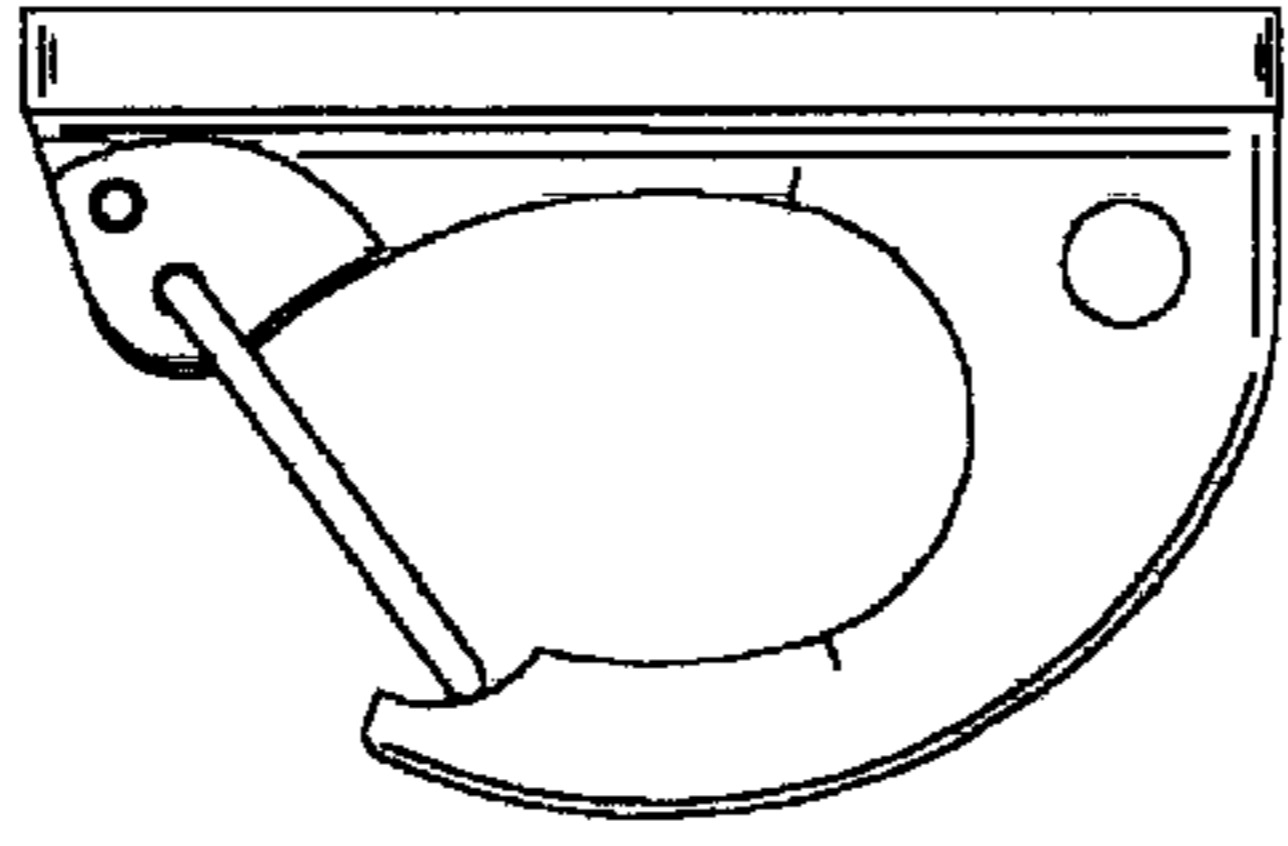


FIG. 4

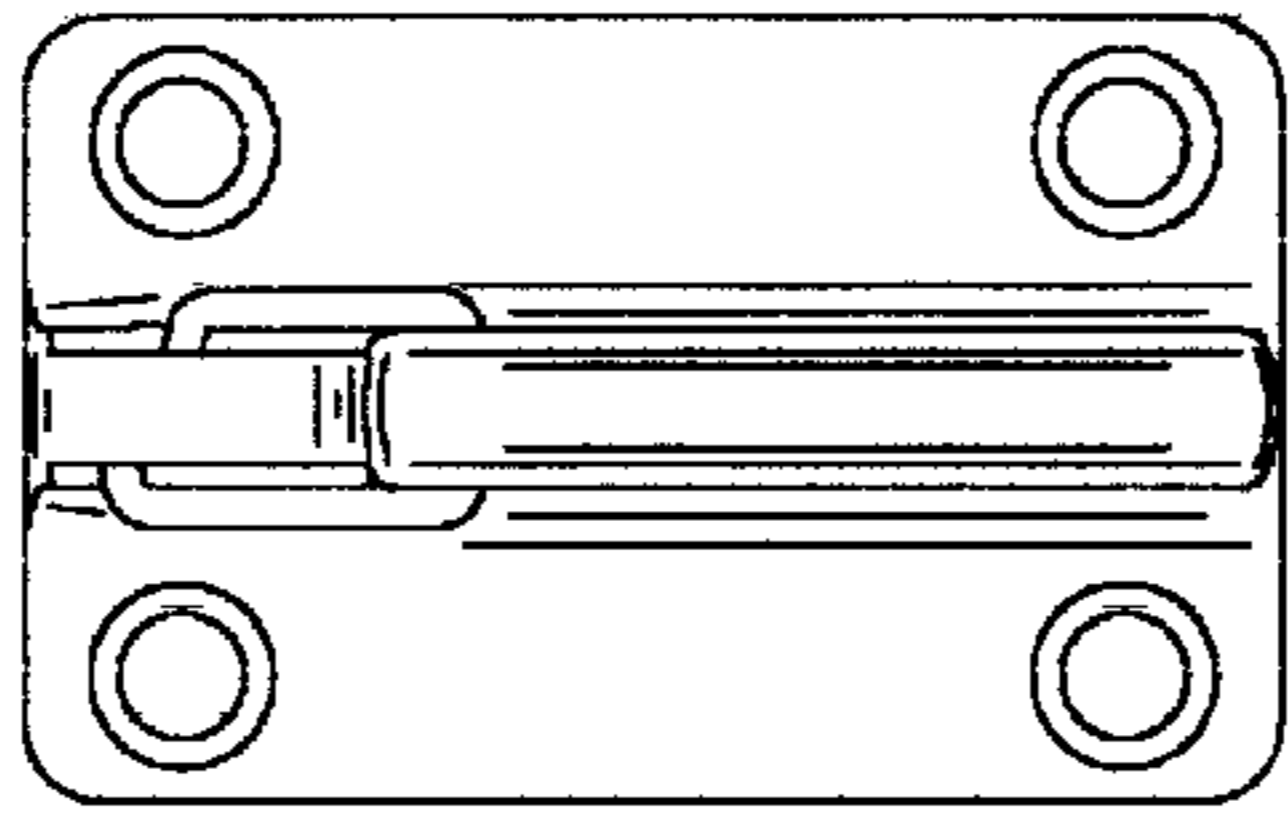


FIG. 3

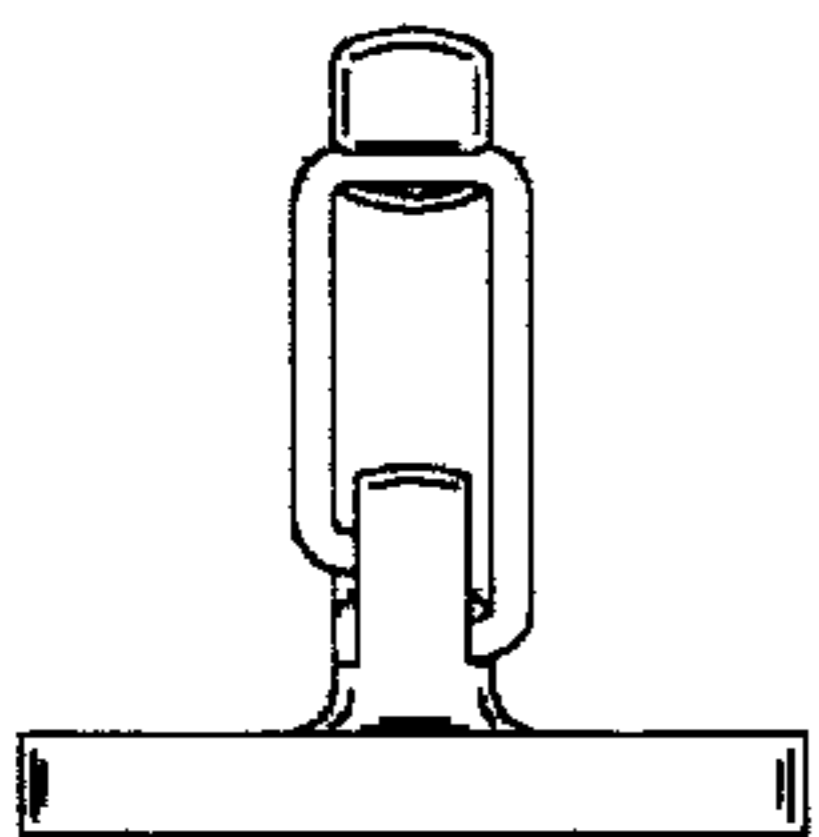


FIG. 6

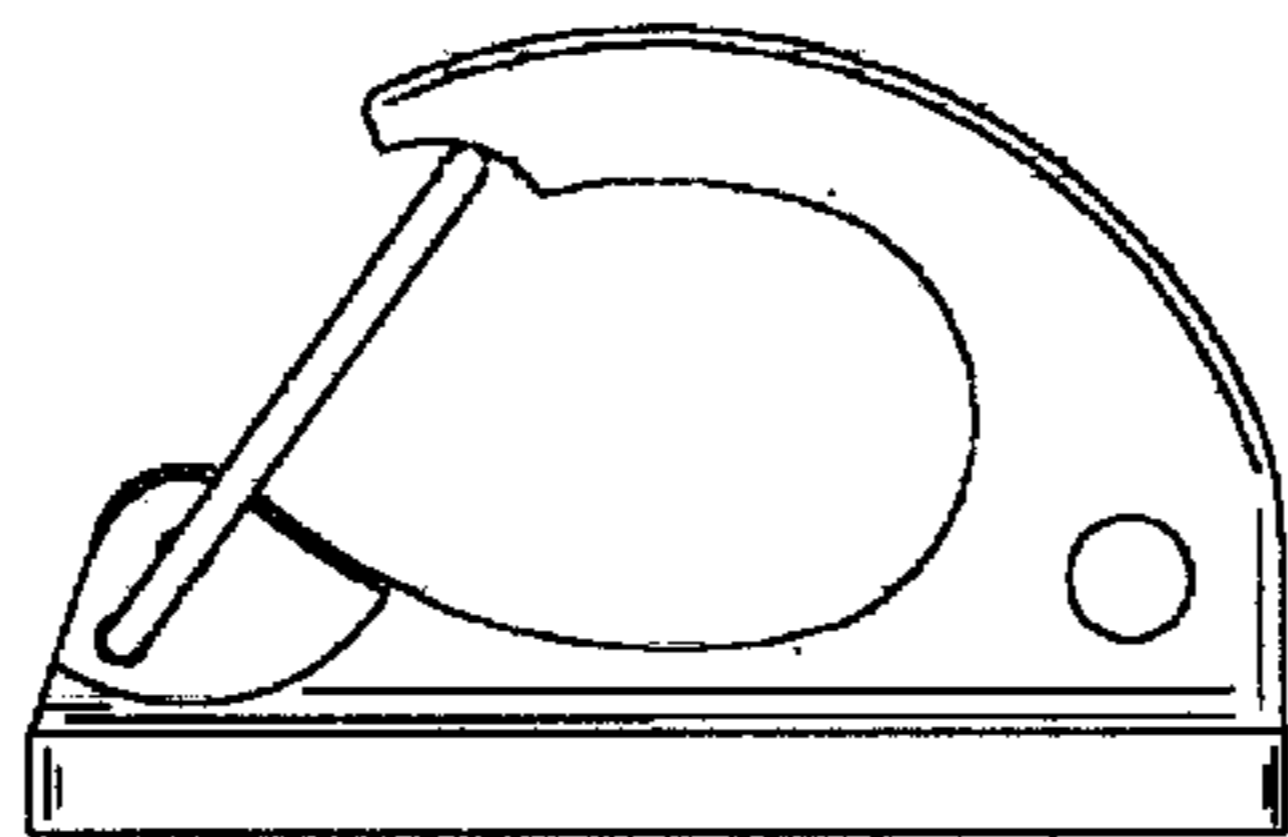


FIG. 2

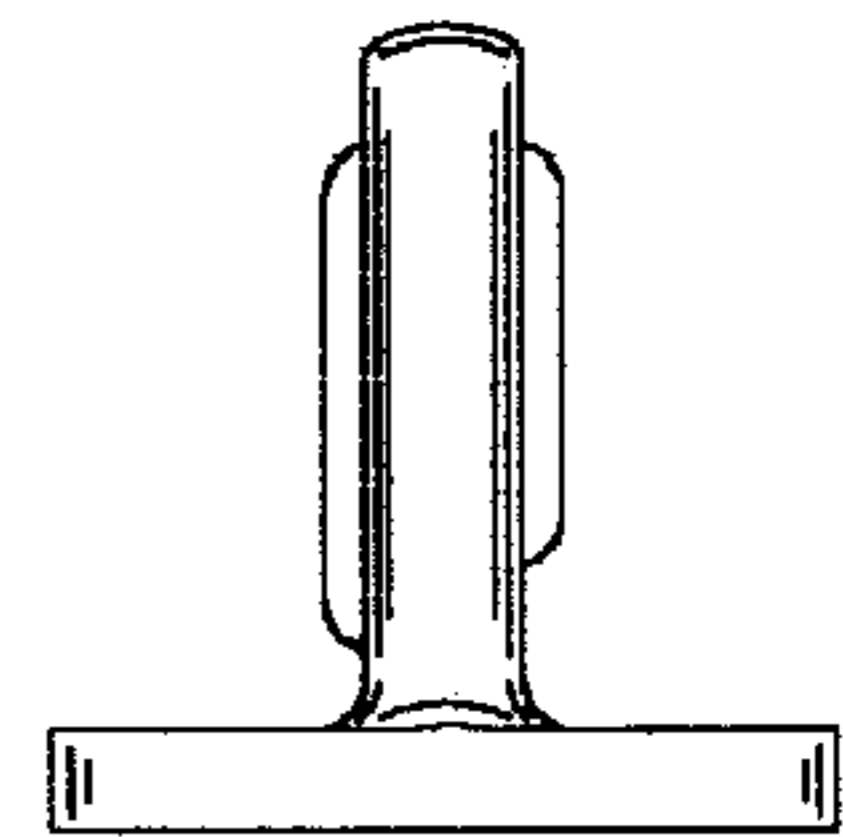


FIG. 5

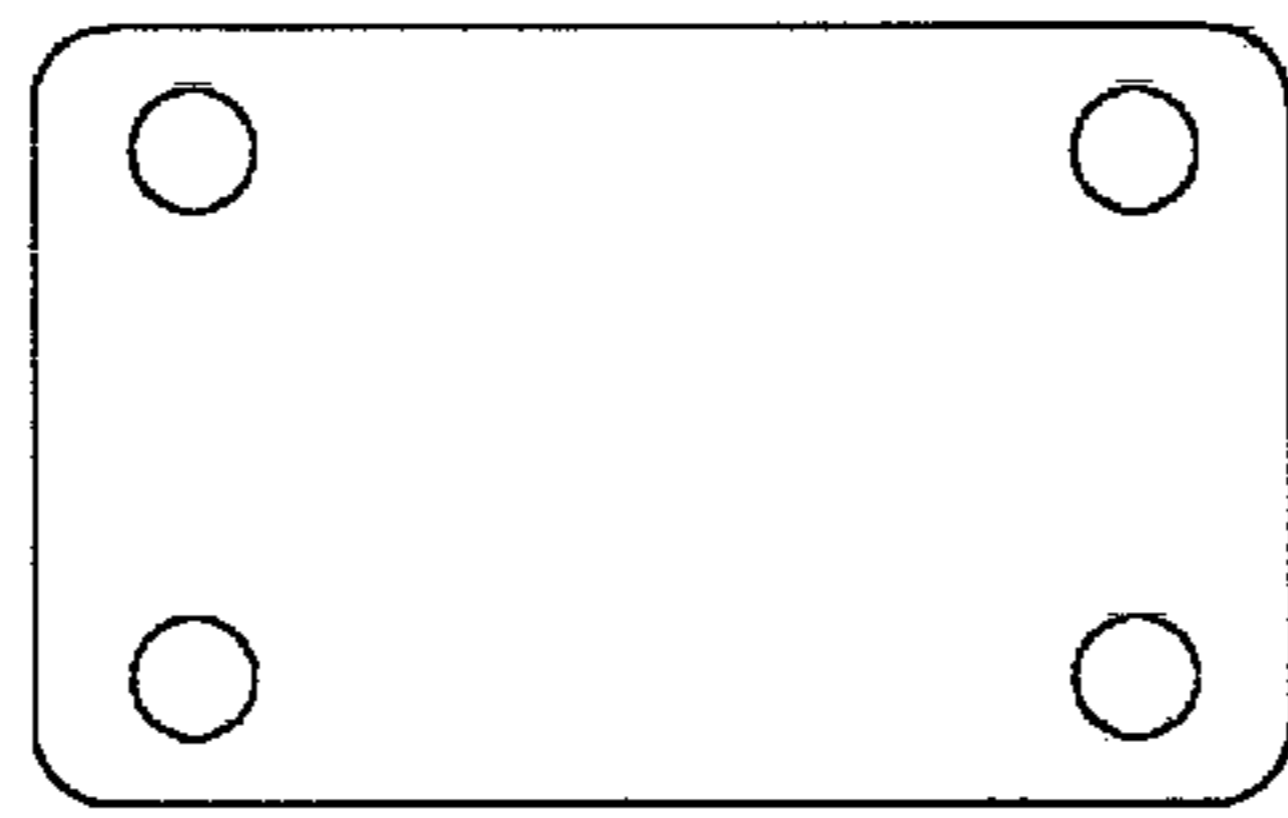


FIG. 1