



US00D442068S

(12) **United States Design Patent**
Buettell

(10) **Patent No.:** **US D442,068 S**

(45) **Date of Patent:** **** May 15, 2001**

(54) **NECK LANYARD HOOK**

(75) Inventor: **Bruce J. Buettell**, Fullerton, CA (US)

(73) Assignee: **J.A.M. Plastics, Inc.**, Anaheim, CA (US)

(**) Term: **14 Years**

(21) Appl. No.: **29/120,543**

(22) Filed: **Mar. 21, 2000**

(51) **LOC (7) Cl.** **08-05**

(52) **U.S. Cl.** **D8/367**

(58) **Field of Search** D8/367, 373; D3/215;
24/16 PB, 265; 248/301, 304

(56) **References Cited**

U.S. PATENT DOCUMENTS

D. 245,728 * 9/1977 Rials D3/215
D. 404,562 * 1/1999 Brown et al. D3/215

OTHER PUBLICATIONS

Picture of prior art hook.

* cited by examiner

Primary Examiner—Holly Baynham

(74) *Attorney, Agent, or Firm*—Knobbe, Martens, Olson and Bear, LLP

(57) **CLAIM**

The ornamental design for a neck lanyard hook, as shown and described.

DESCRIPTION

FIG. 1 is a perspective view of a neck lanyard hook incorporating the present invention;

FIG. 2 is a rear elevational view thereof;

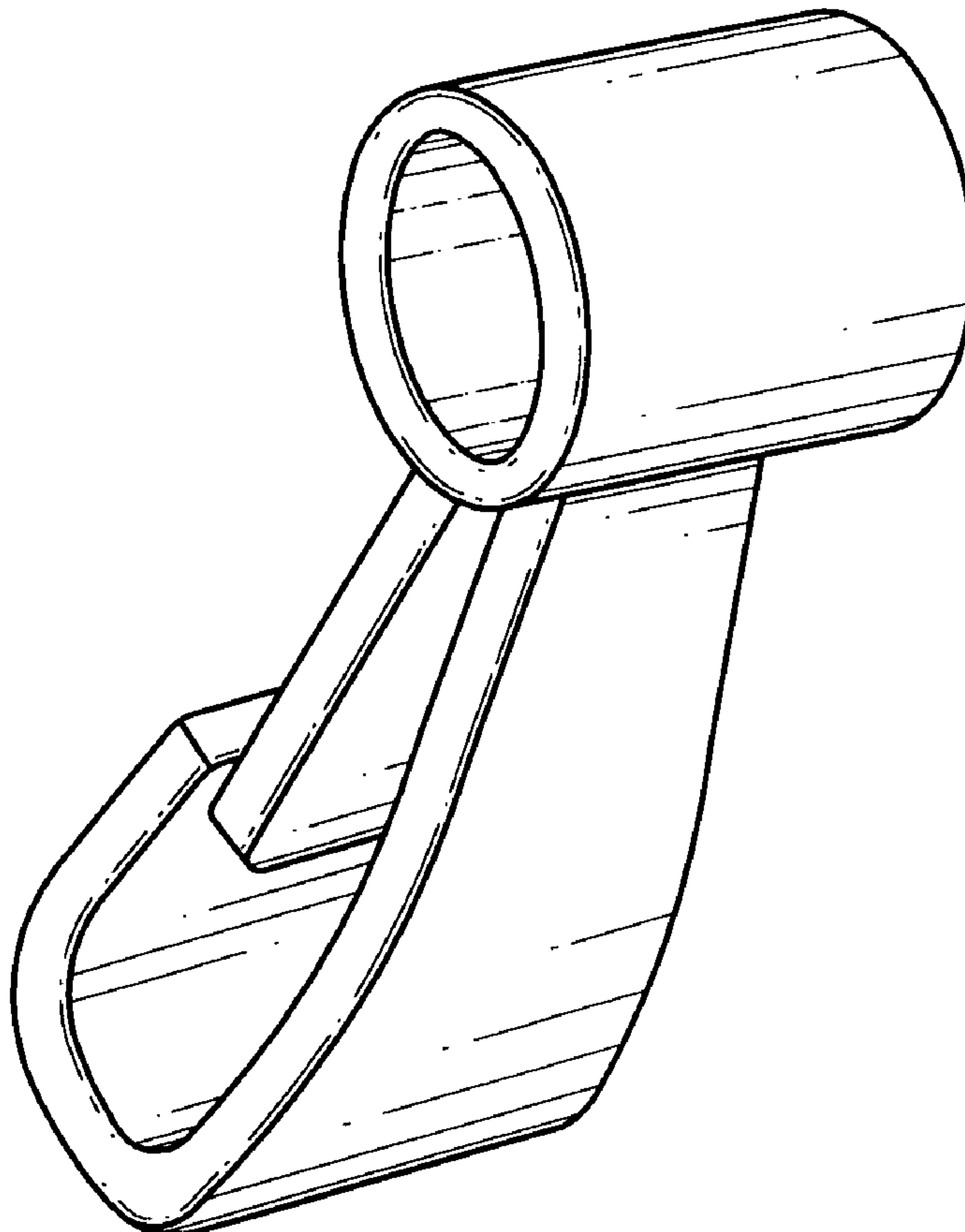
FIG. 3 is a front elevational view thereof;

FIG. 4 is a top plan view thereof;

FIG. 5 is a bottom plan view thereof; and,

FIG. 6 is a right side elevational view, which is a mirror image of the left side thereof.

1 Claim, 2 Drawing Sheets



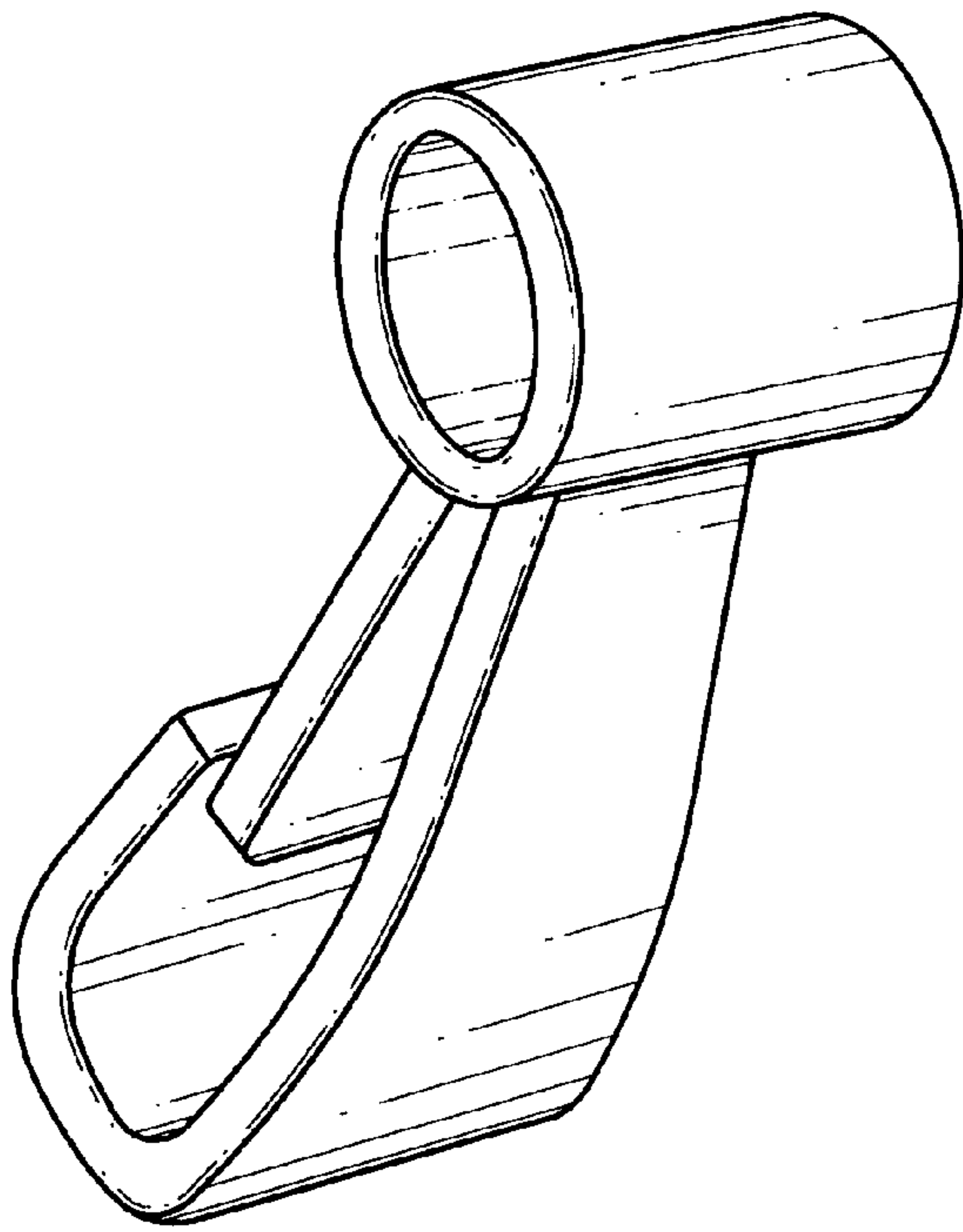


FIG. 1

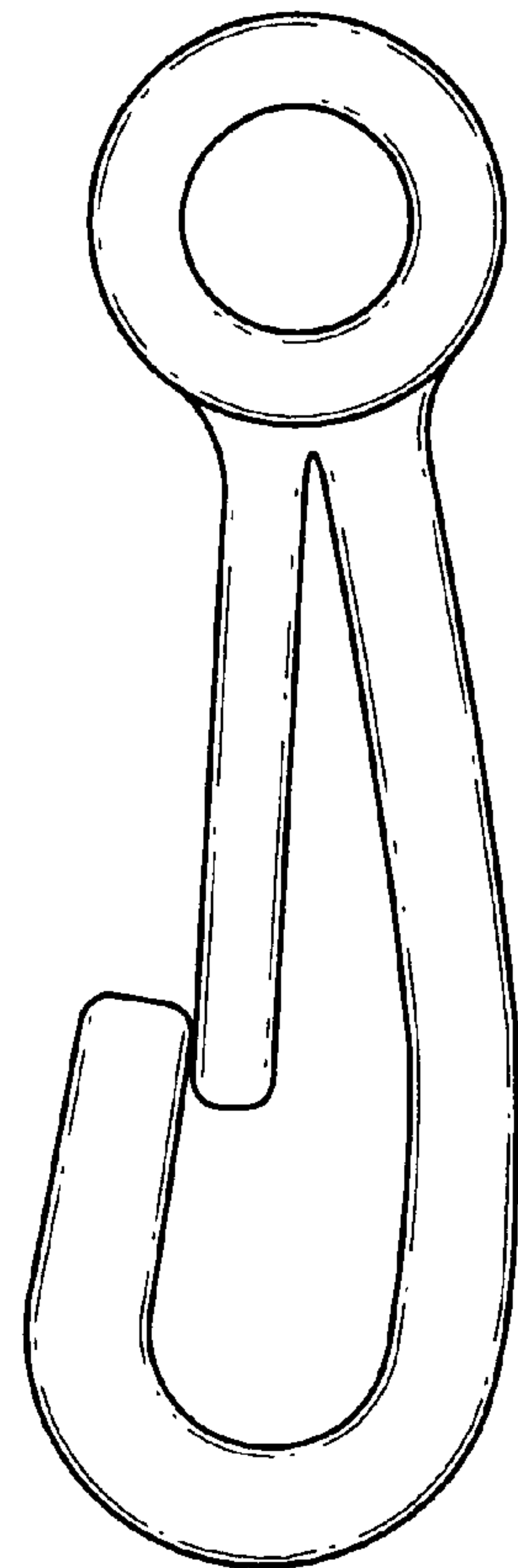


FIG. 6

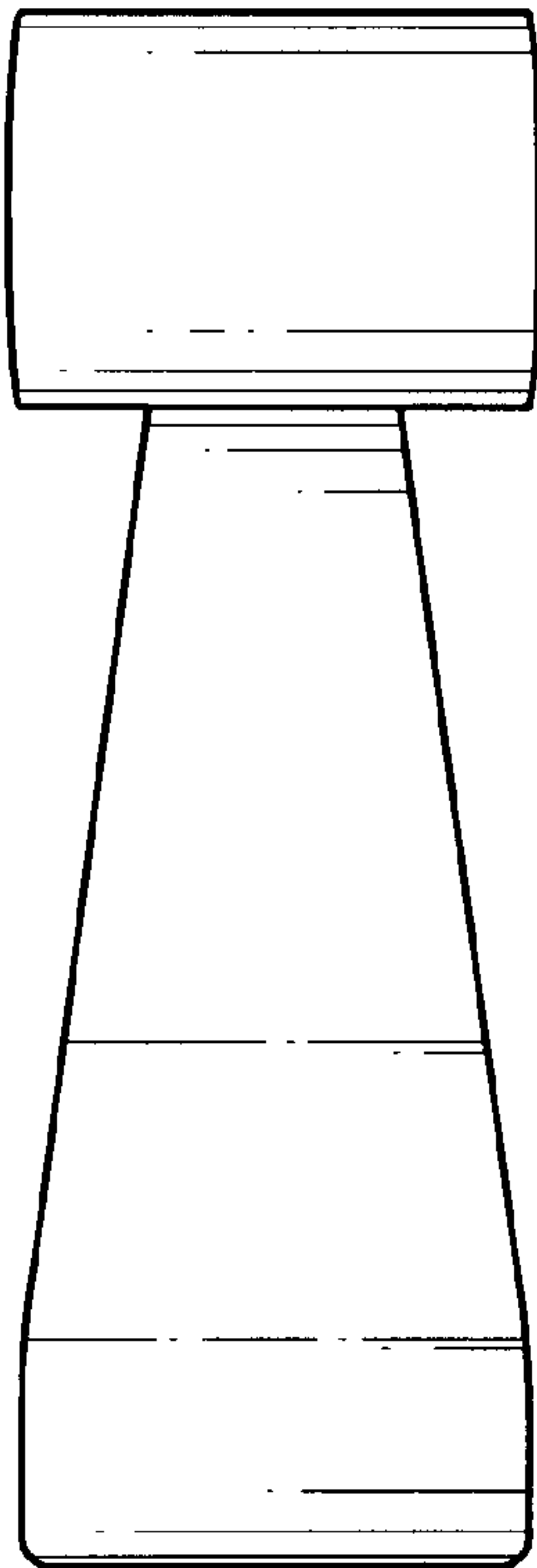


FIG. 2

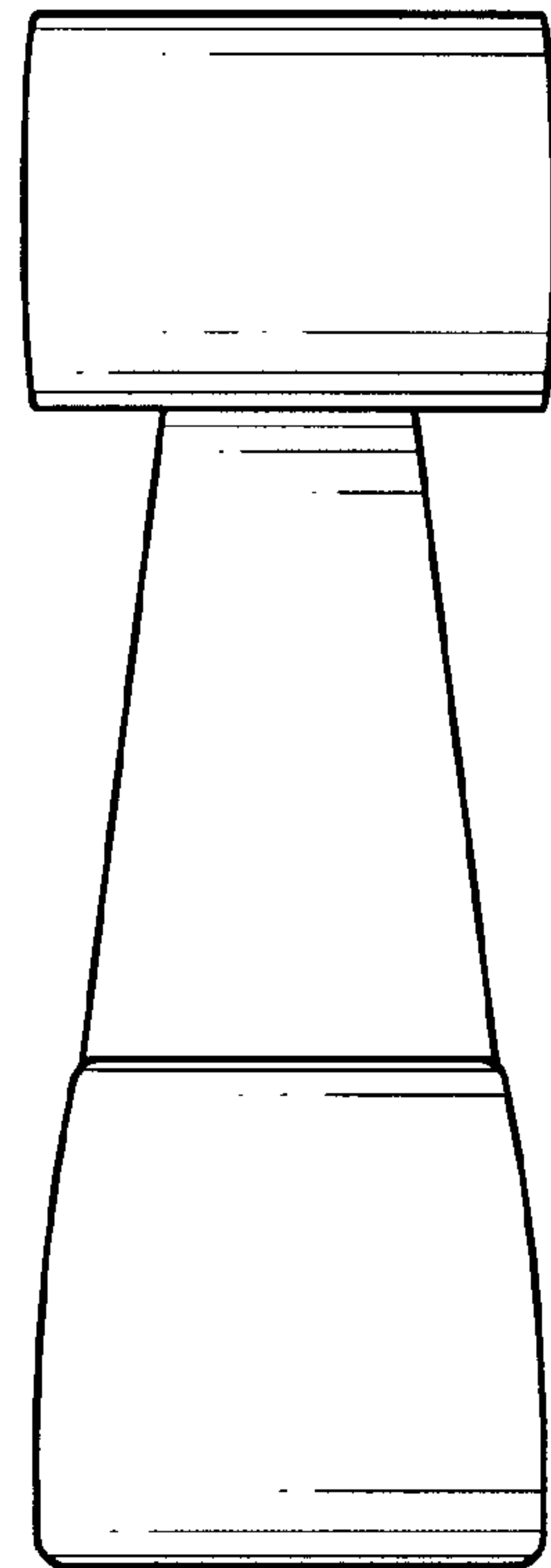


FIG. 3

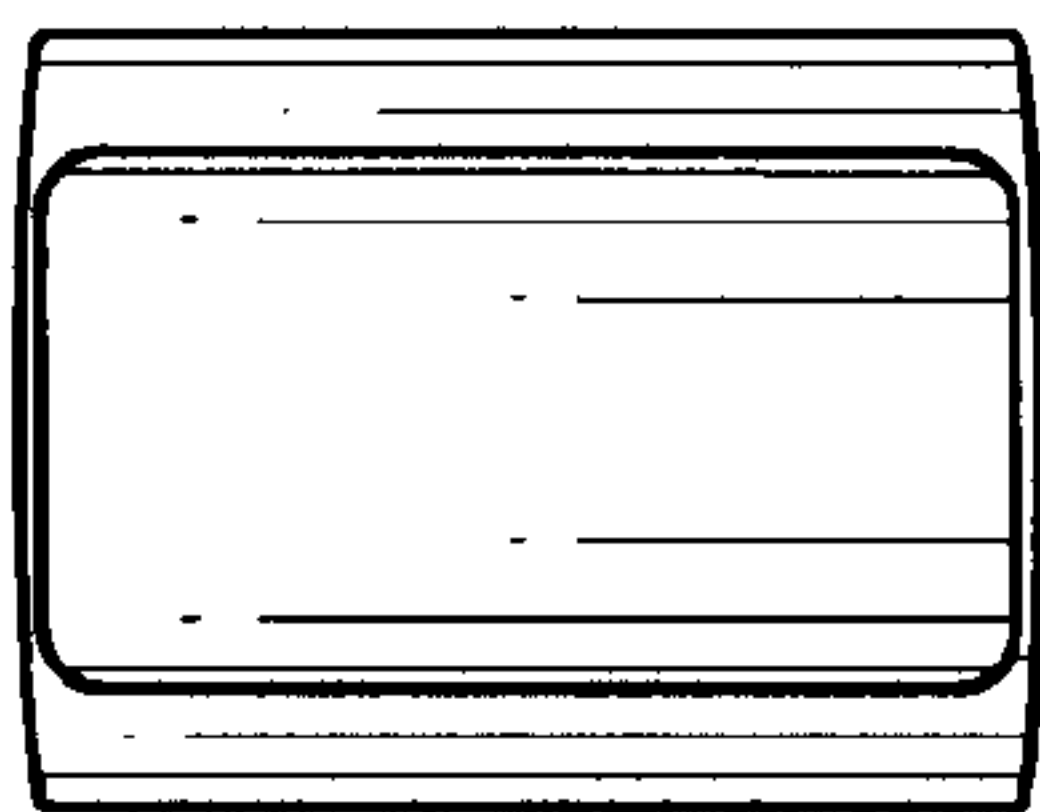


FIG. 4

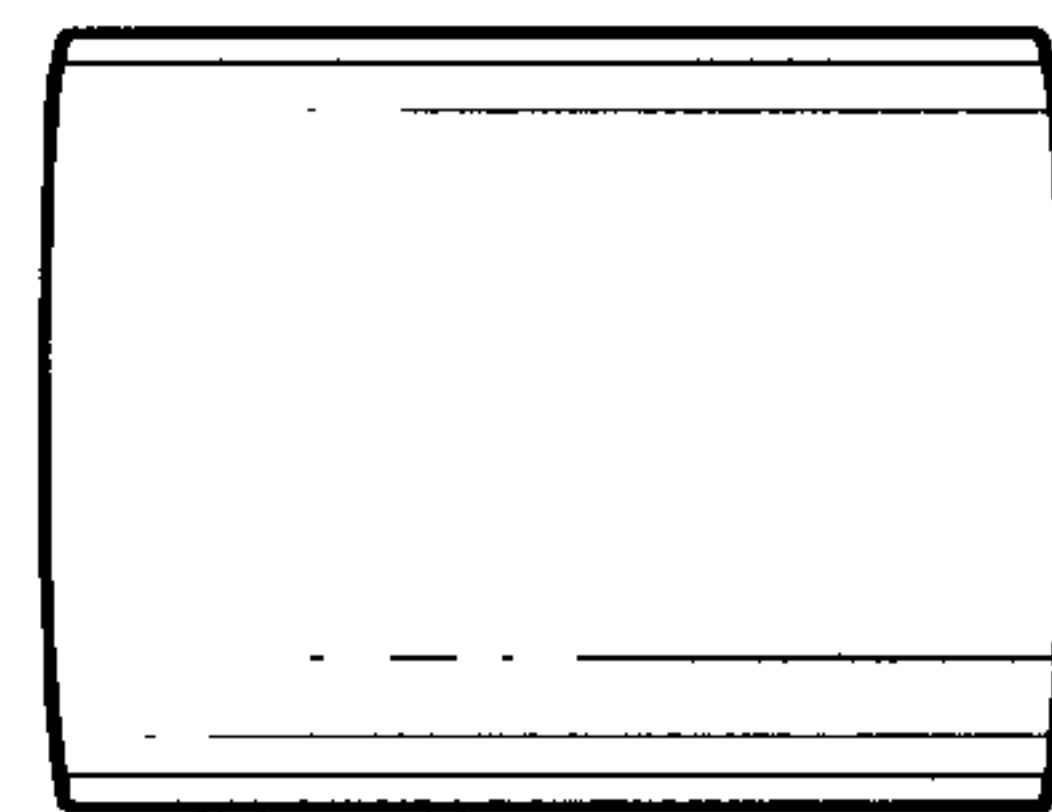


FIG. 5