



US00D442067S

(12) **United States Design Patent**
Kampe

(10) **Patent No.:** **US D442,067 S**

(45) **Date of Patent:** **** May 15, 2001**

(54) **SUPPORT BRACKET**

(75) Inventor: **Gerhard Kampe**, Kassel (DE)

(73) Assignee: **Hewi Heinrich Wilke GmbH**, Bad Arolsen (DE)

(**) Term: **14 Years**

(21) Appl. No.: **29/125,058**

(22) Filed: **Jun. 19, 2000**

Related U.S. Application Data

(62) Division of application No. 29/059,097, filed on Sep. 3, 1996.

(30) **Foreign Application Priority Data**

Mar. 2, 1996 (DE) M 96 01 954

(51) **LOC (7) Cl.** **08-05**

(52) **U.S. Cl.** **D8/363**

(58) **Field of Search** D8/363; D6/524,
D6/533; 248/200.1, 262; 160/330, 291;
D23/304

(56) **References Cited**

U.S. PATENT DOCUMENTS

D. 240,178 * 6/1976 Johannson D6/524

D. 249,461 * 9/1978 Swinehart et al. D8/373

* cited by examiner

Primary Examiner—Holly Baynham
(74) *Attorney, Agent, or Firm*—Michael J. Striker

(57) **CLAIM**

The ornamental design for a support bracket, as shown and described.

DESCRIPTION

FIG. 1 is a perspective view of a support bracket showing my new design;
FIG. 2 is a side view thereof;
FIG. 3 is a front view thereof;
FIG. 4 is a plan view thereof;
FIG. 5 is the opposite side view thereof;
FIG. 6 is a bottom view thereof; and
FIG. 7 is a rear view thereof;
FIG. 8 is a perspective view of an alternate embodiment showing my new design;
FIG. 9 is a side view thereof;
FIG. 10 is a front view thereof;
FIG. 11 is a plan view thereof;
FIG. 12 is the opposite side view thereof;
FIG. 13 is a bottom view thereof; and,
FIG. 14 is a rear view thereof.
Any undisclosed surface area in any figure is without ornamentation.

1 Claim, 6 Drawing Sheets

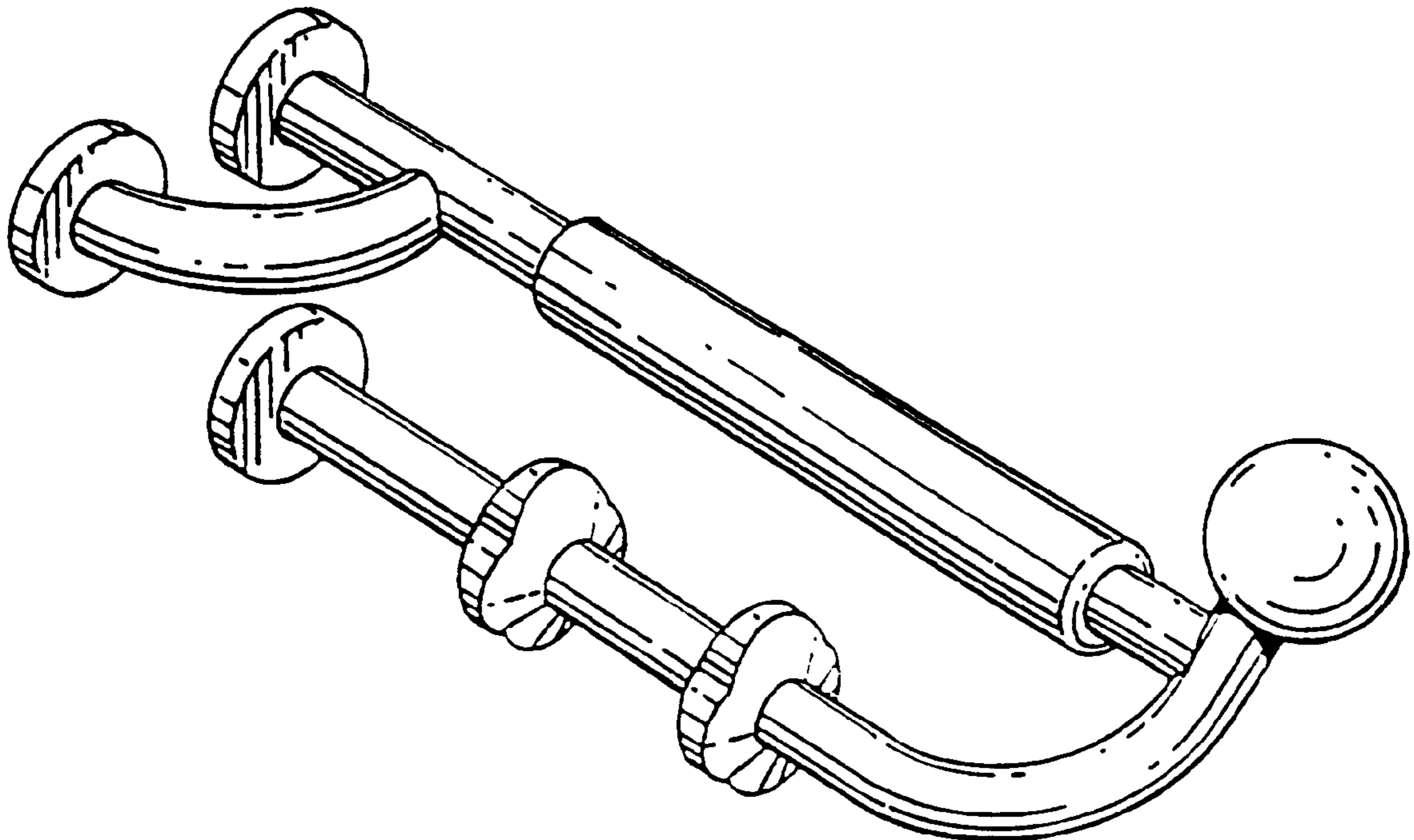


FIG. 1

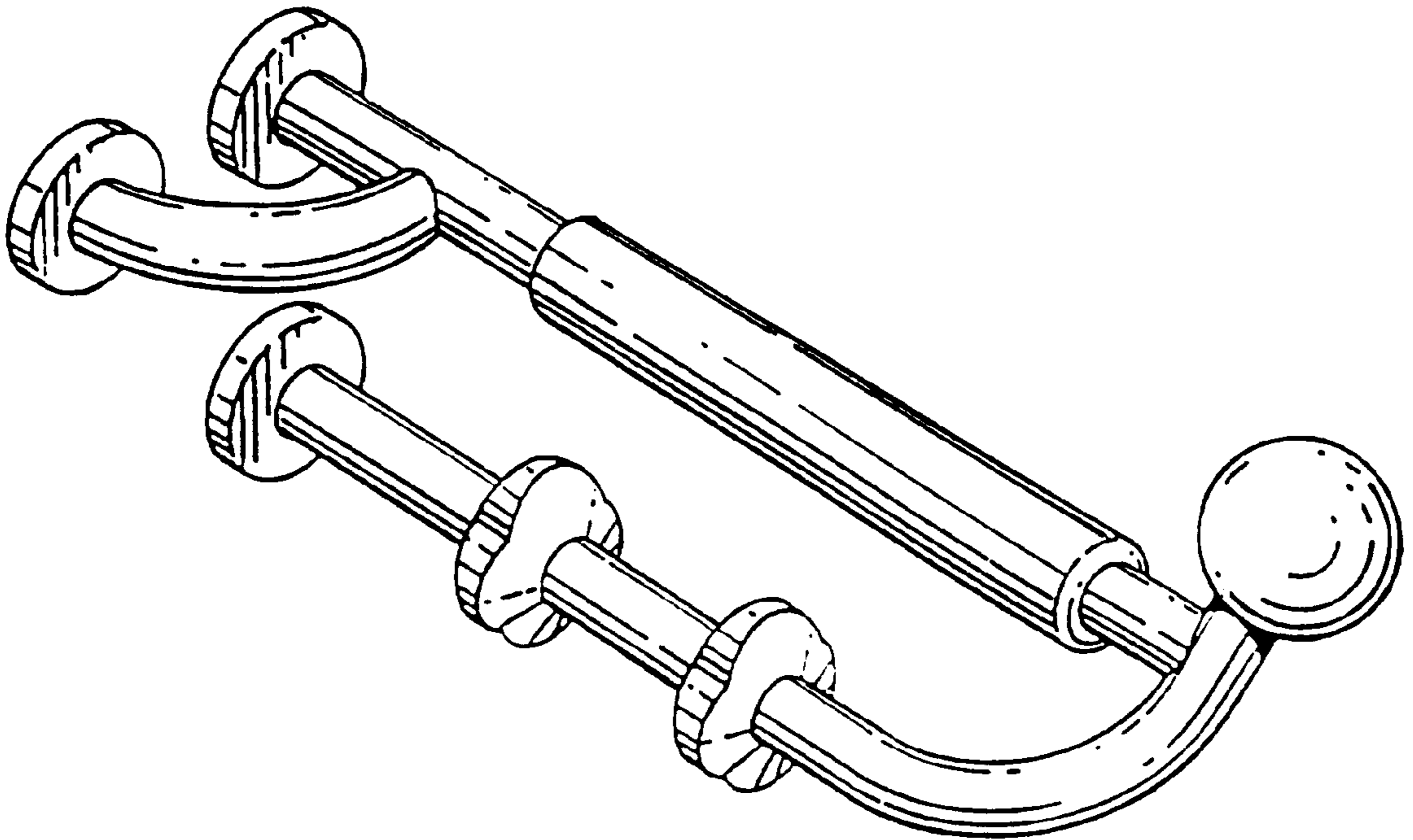


FIG. 2

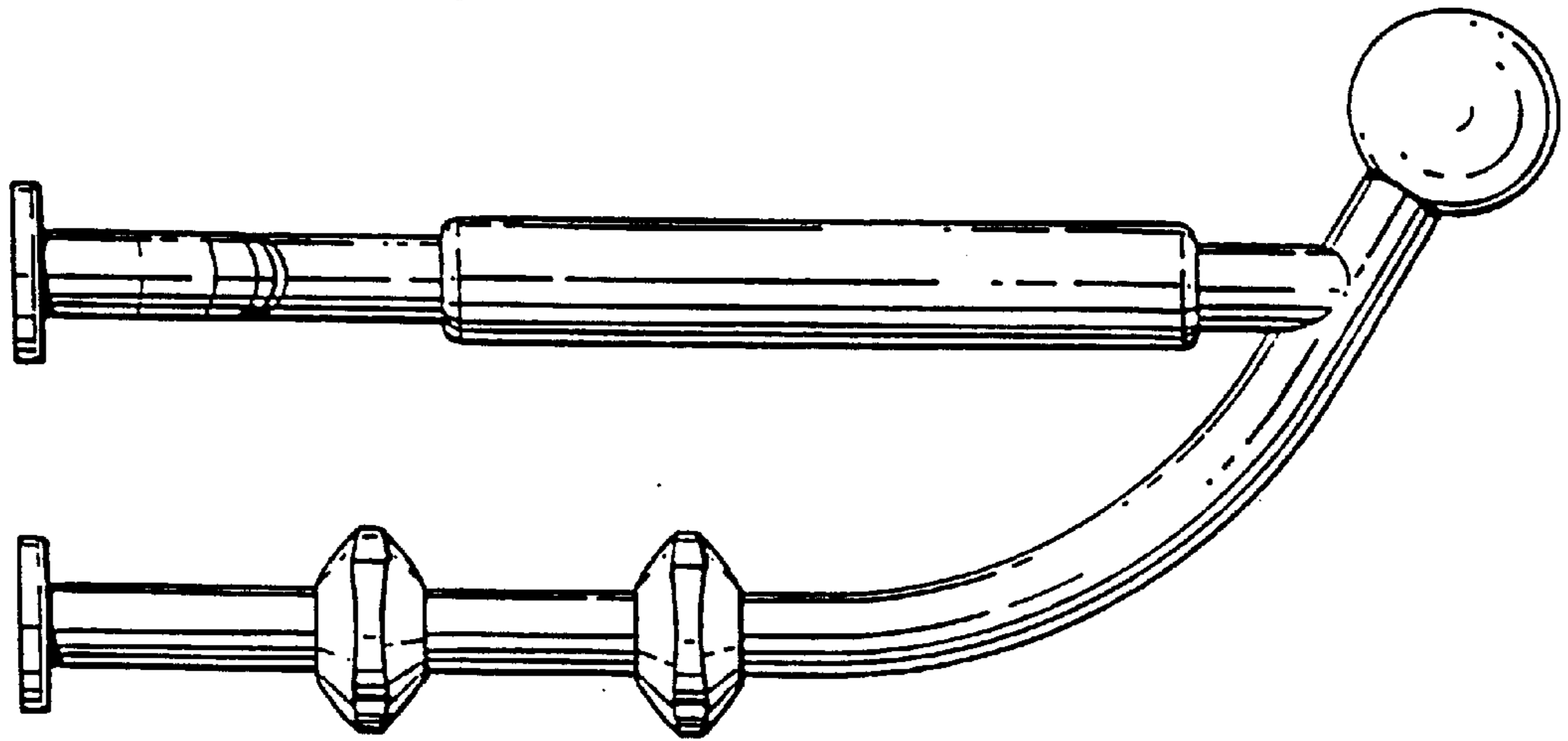


FIG. 3

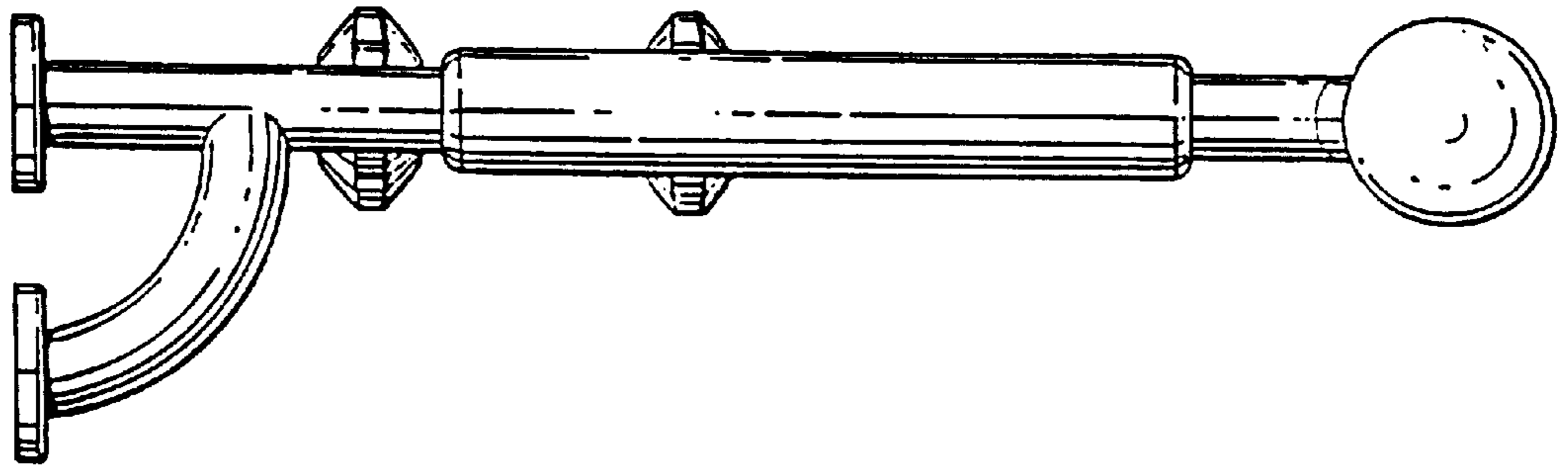


FIG. 4

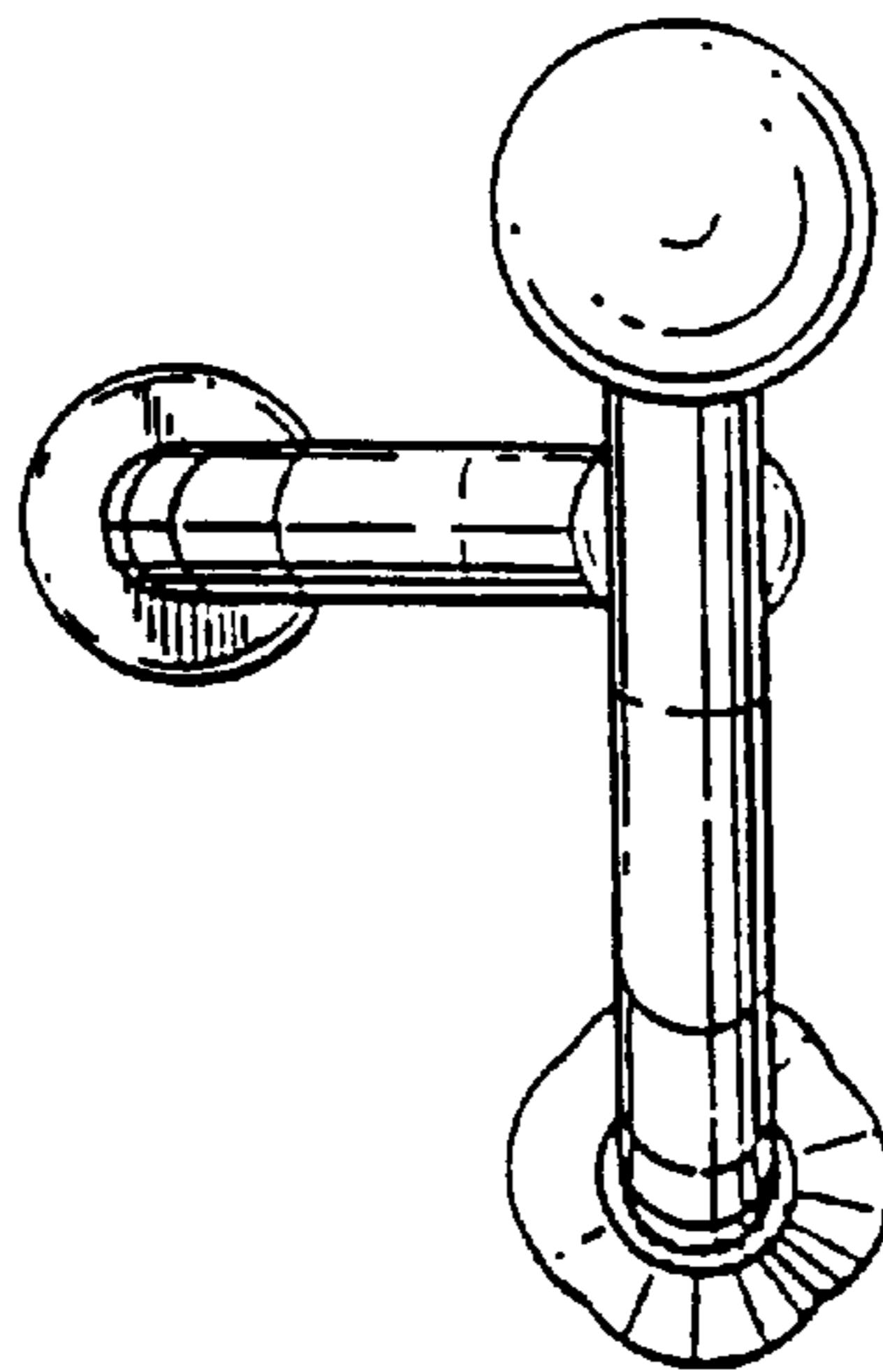


FIG. 5

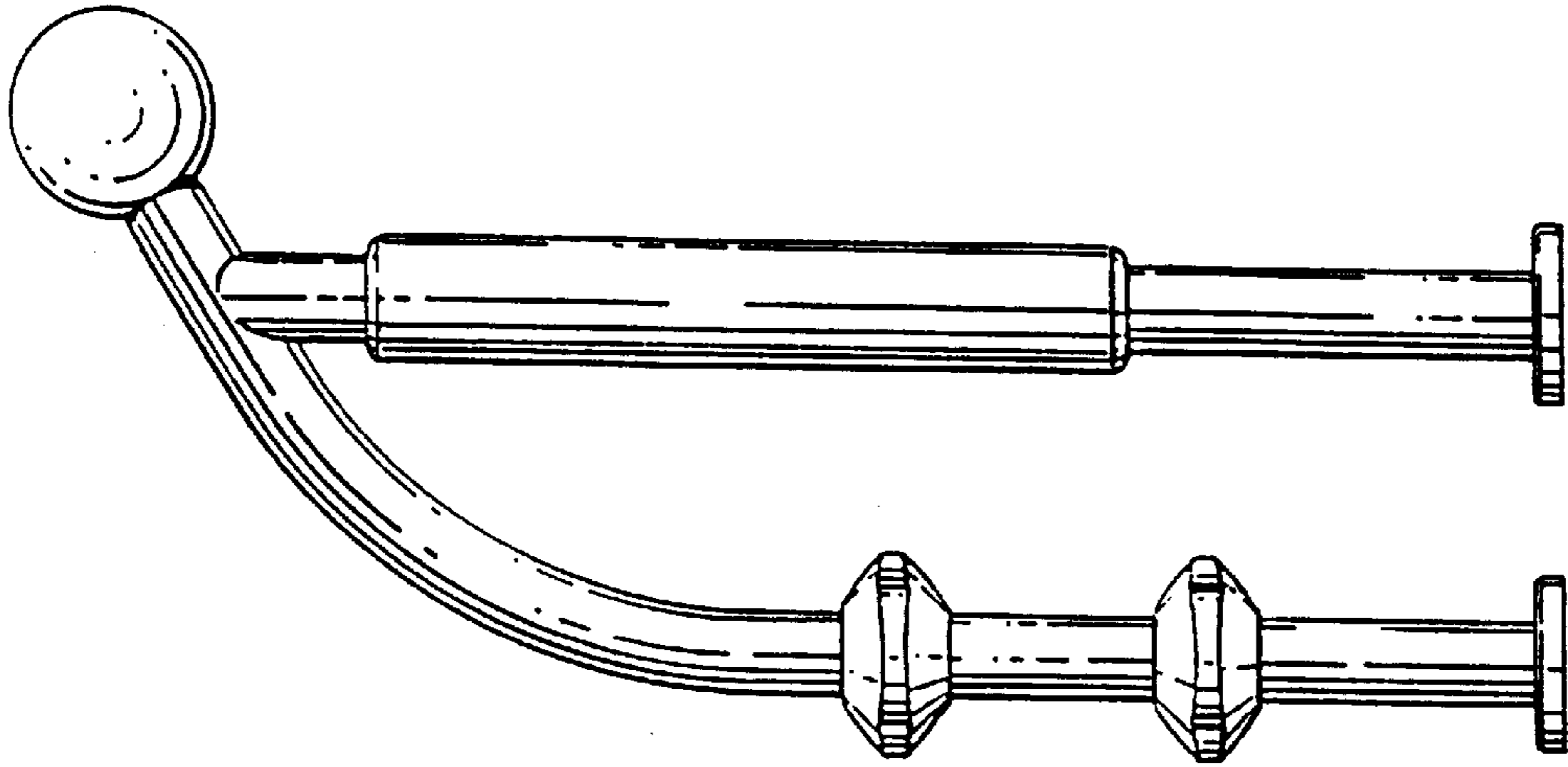


FIG. 6

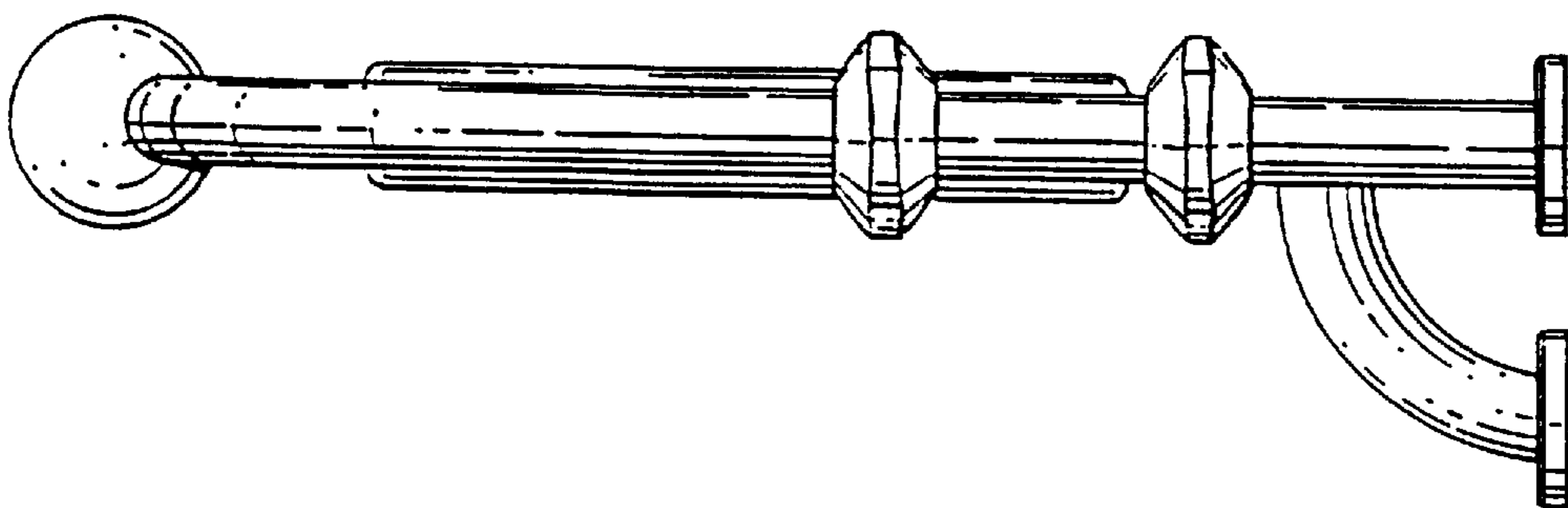


FIG. 7

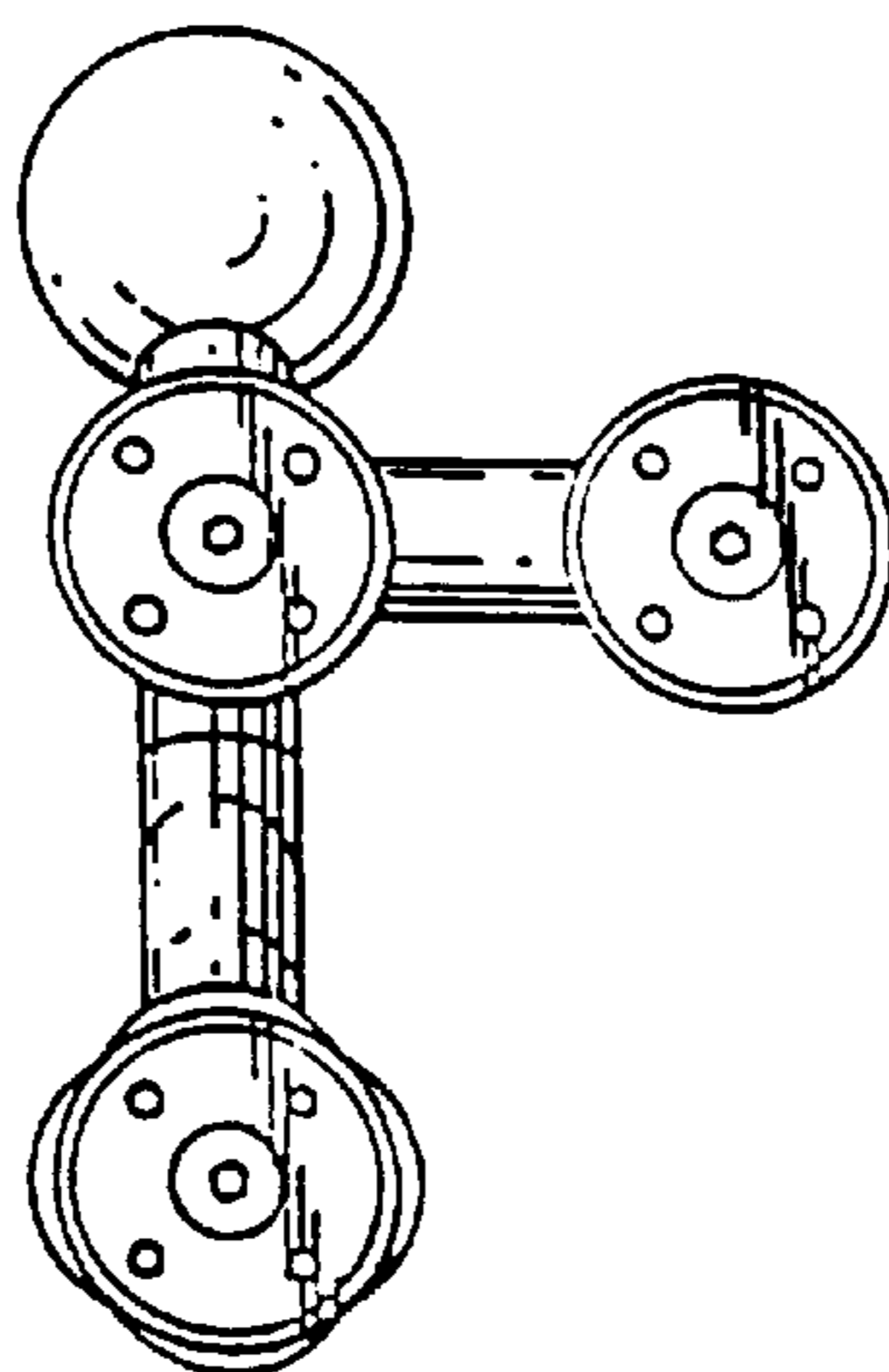


FIG. 8

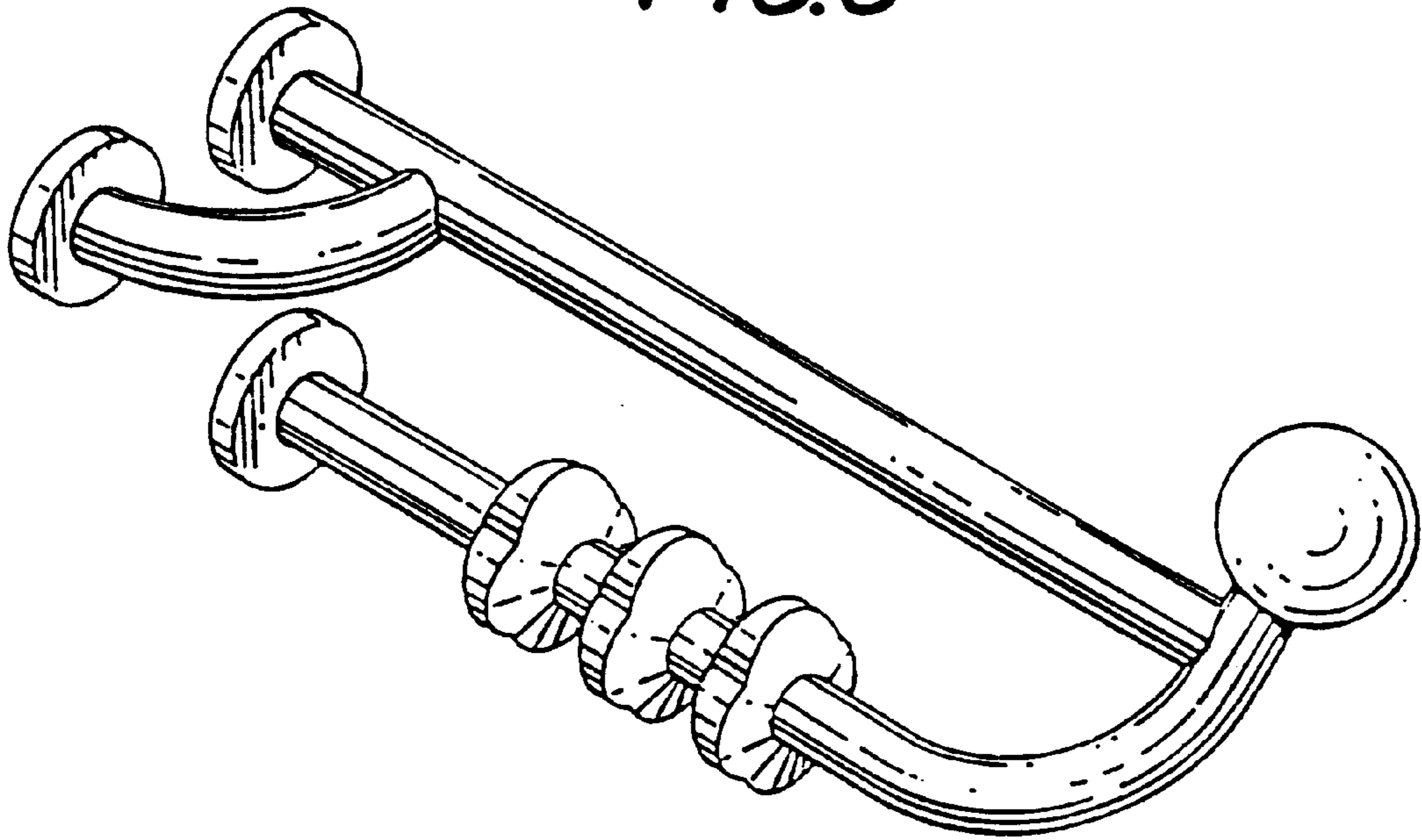


FIG. 9

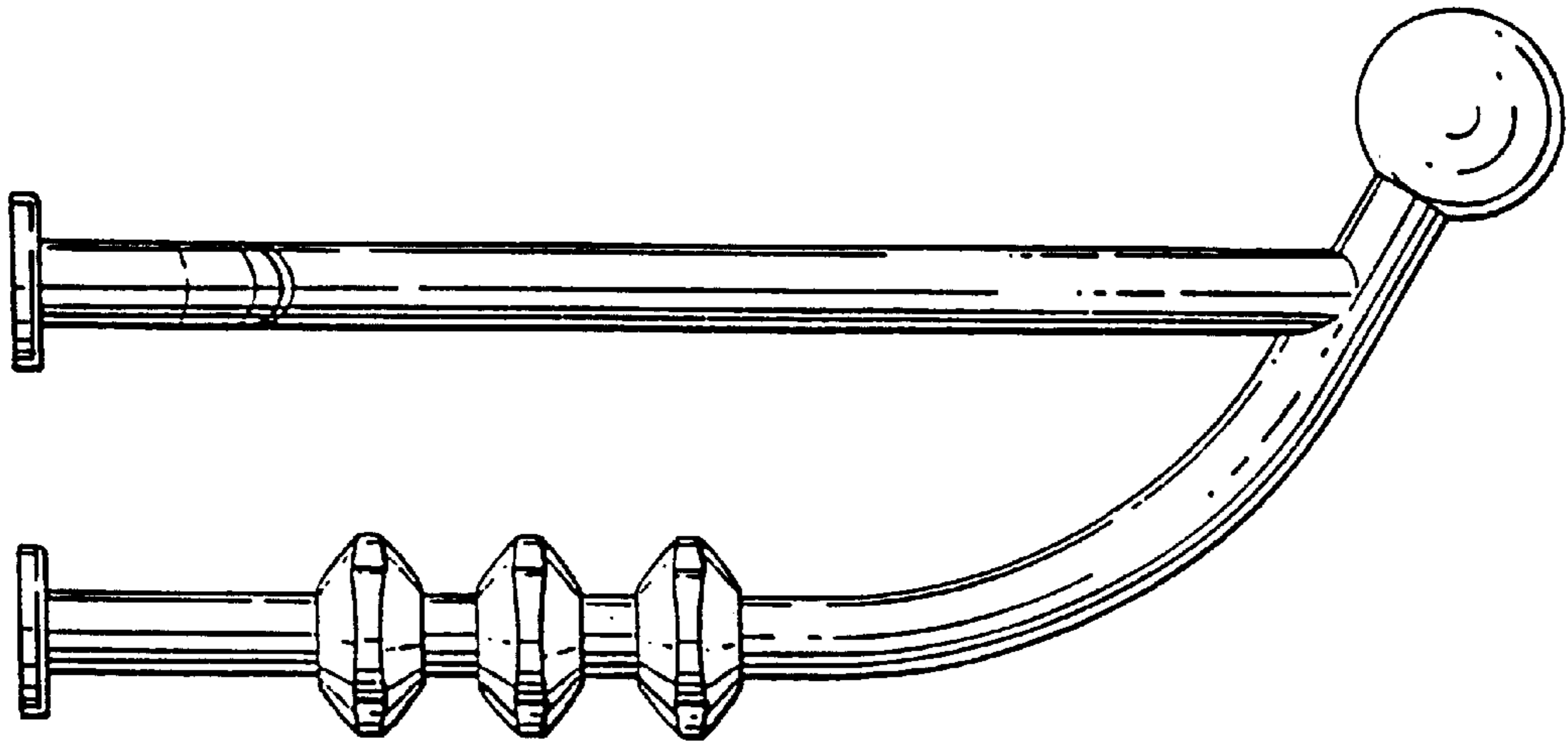


FIG. 10

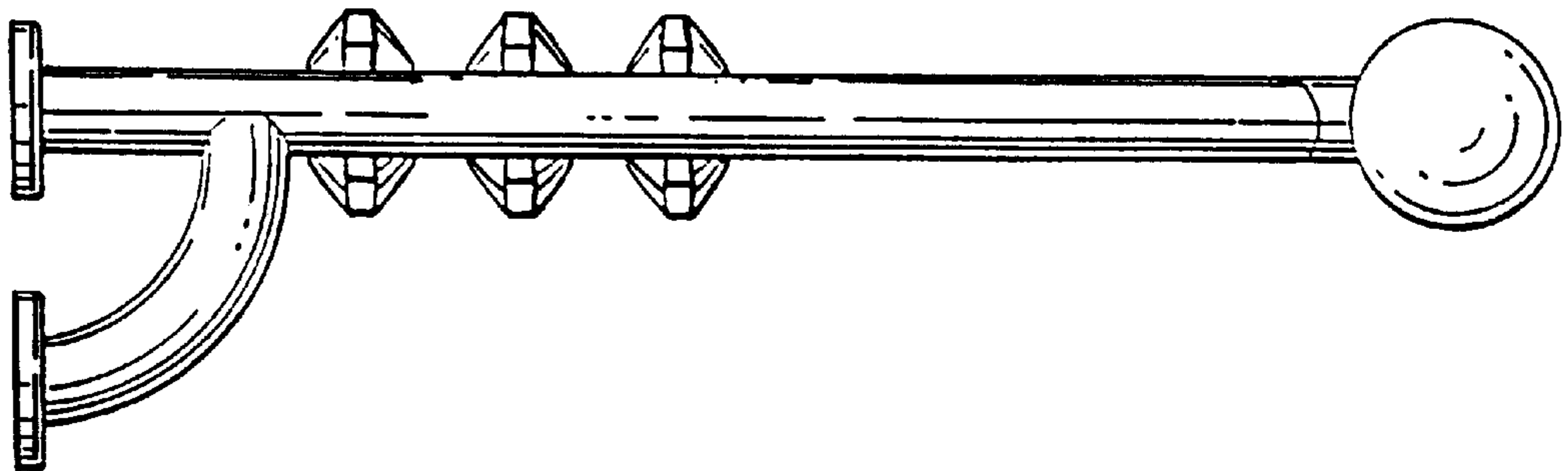


FIG. 11

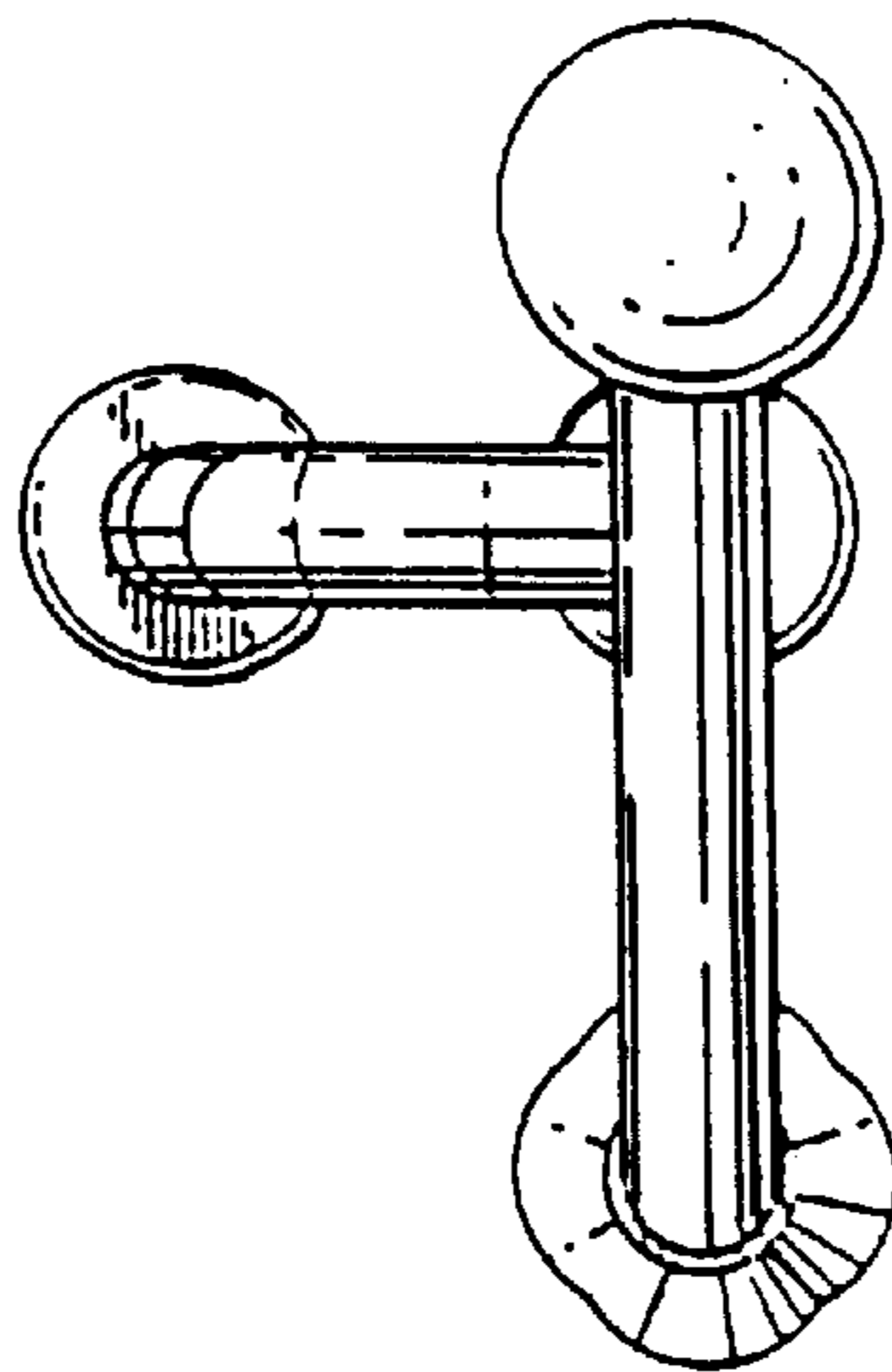


FIG. 12

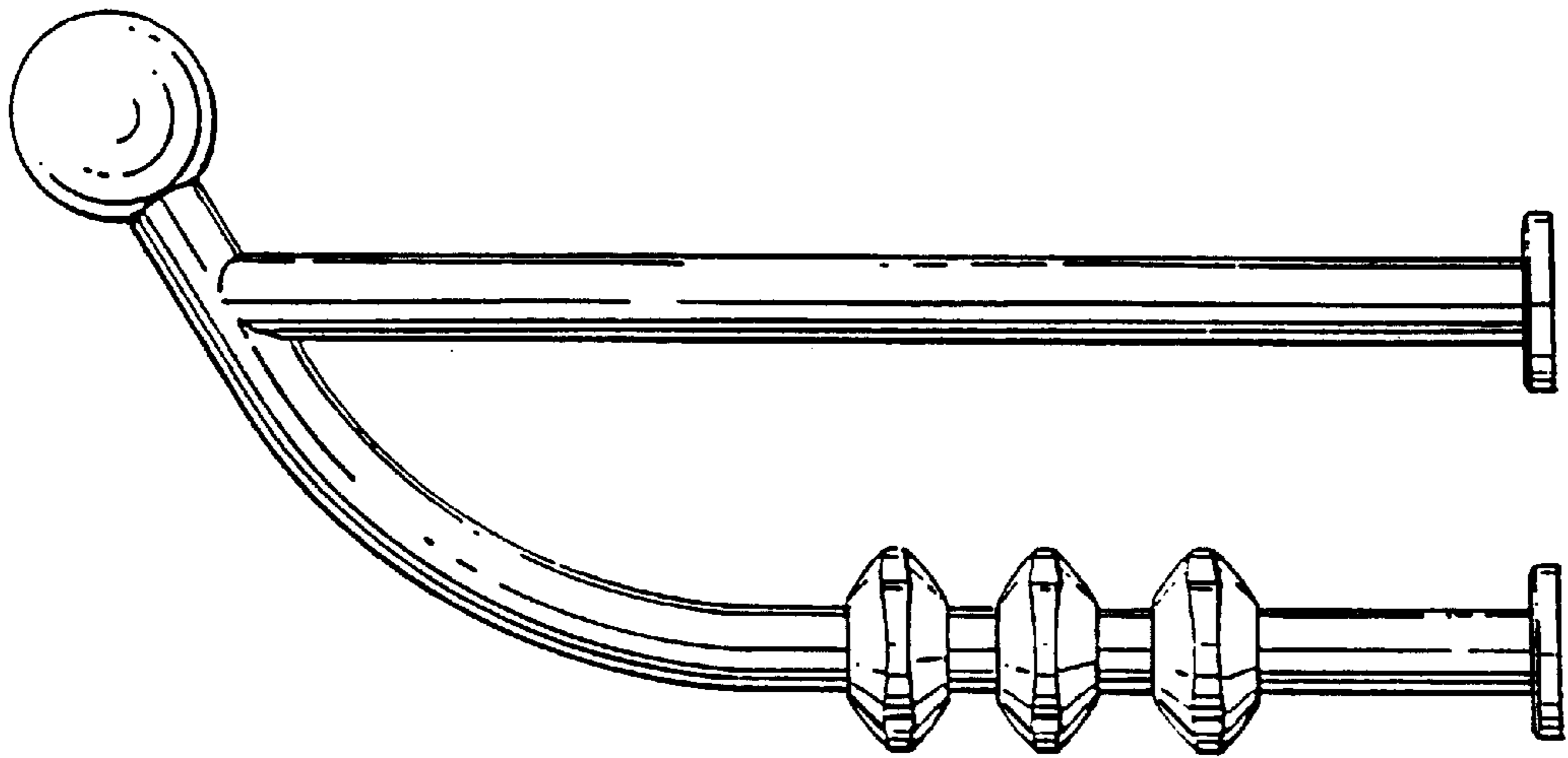


FIG. 13

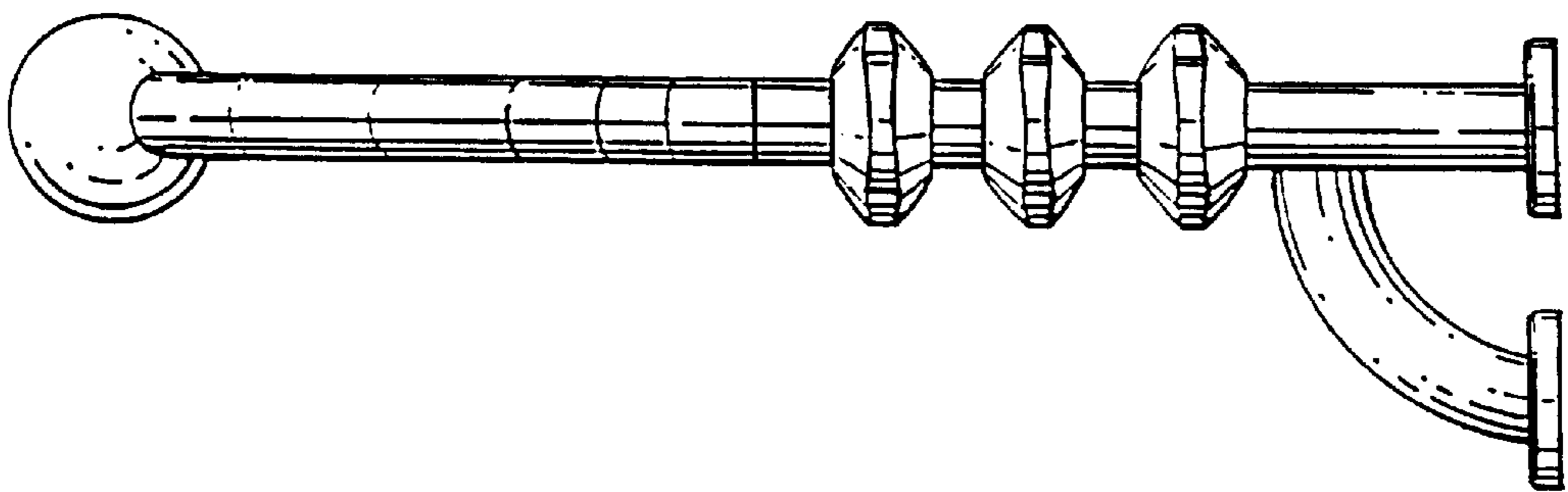


FIG. 14

