



US00D442065S

(12) **United States Design Patent**  
**Rohde**

(10) **Patent No.:** **US D442,065 S**

(45) **Date of Patent:** **\*\* May 15, 2001**

(54) **SWIVEL GUIDE**

**FOREIGN PATENT DOCUMENTS**

(75) Inventor: **Bret G. Rohde**, Tremonton, UT (US)  
(73) Assignee: **Azidco., L.L.C.**, Englewood, CO (US)  
(\*\*) Term: **14 Years**

511013 5/1952 (BE) .  
1347720 10/1962 (FR) .  
316961 8/1929 (GB) .  
430060 6/1935 (GB) .  
491599 9/1938 (GB) .  
556047 2/1957 (IT) .

(21) Appl. No.: **29/113,124**  
(22) Filed: **Oct. 29, 1999**

**OTHER PUBLICATIONS**

Photographs of prior art Swivel Guide.

(51) **LOC (7) Cl.** ..... **08-05**  
(52) **U.S. Cl.** ..... **D8/356**  
(58) **Field of Search** ..... D8/375, 356; 16/2,  
16/42 R; 248/300, 200, 205.1

\* cited by examiner

*Primary Examiner*—Holly Baynham

(74) *Attorney, Agent, or Firm*—Morriss, Bateman,  
O'Bryant & Compagni

(56) **References Cited**

(57) **CLAIM**

**U.S. PATENT DOCUMENTS**

The ornamental design for a swivel guide, as shown and described.

D. 326,404	*	5/1992	Spell	.....	D8/356
D. 364,085	*	11/1995	Beckman et al.	.....	D8/375
D. 394,377	*	5/1998	Najewski et al.	.....	D8/354
2,136,558		11/1938	Manshel	.	
2,808,610		10/1957	Minor	.	
3,304,993		2/1967	Fox-Williams	.	
3,822,925		7/1974	Osroff	.	
4,236,772		12/1980	Henson	.	
4,279,454		7/1981	Koiso et al.	.	
4,324,076		4/1982	Honickman	.	
4,812,701		3/1989	Izumi	.	
5,083,846		1/1992	Day, Jr. et al.	.	
5,085,261		2/1992	Bortoluzzi	.	

**DESCRIPTION**

FIG. 1 is a perspective view of the swivel guide in its three dimensional form;

FIG. 2 is a left side view of the swivel guide;

FIG. 3 is a right side view of the swivel guide;

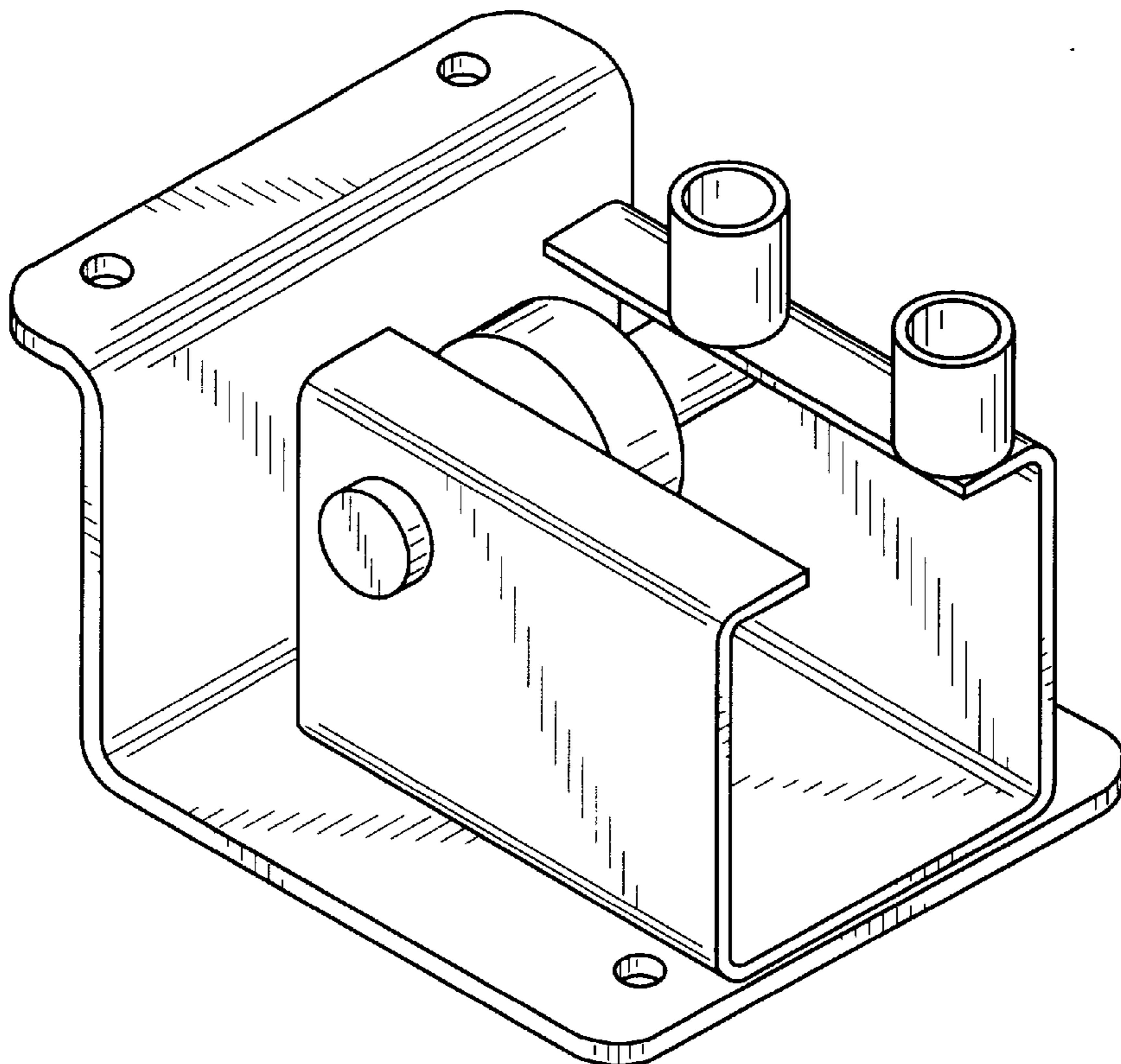
FIG. 4 is a front view of the swivel guide;

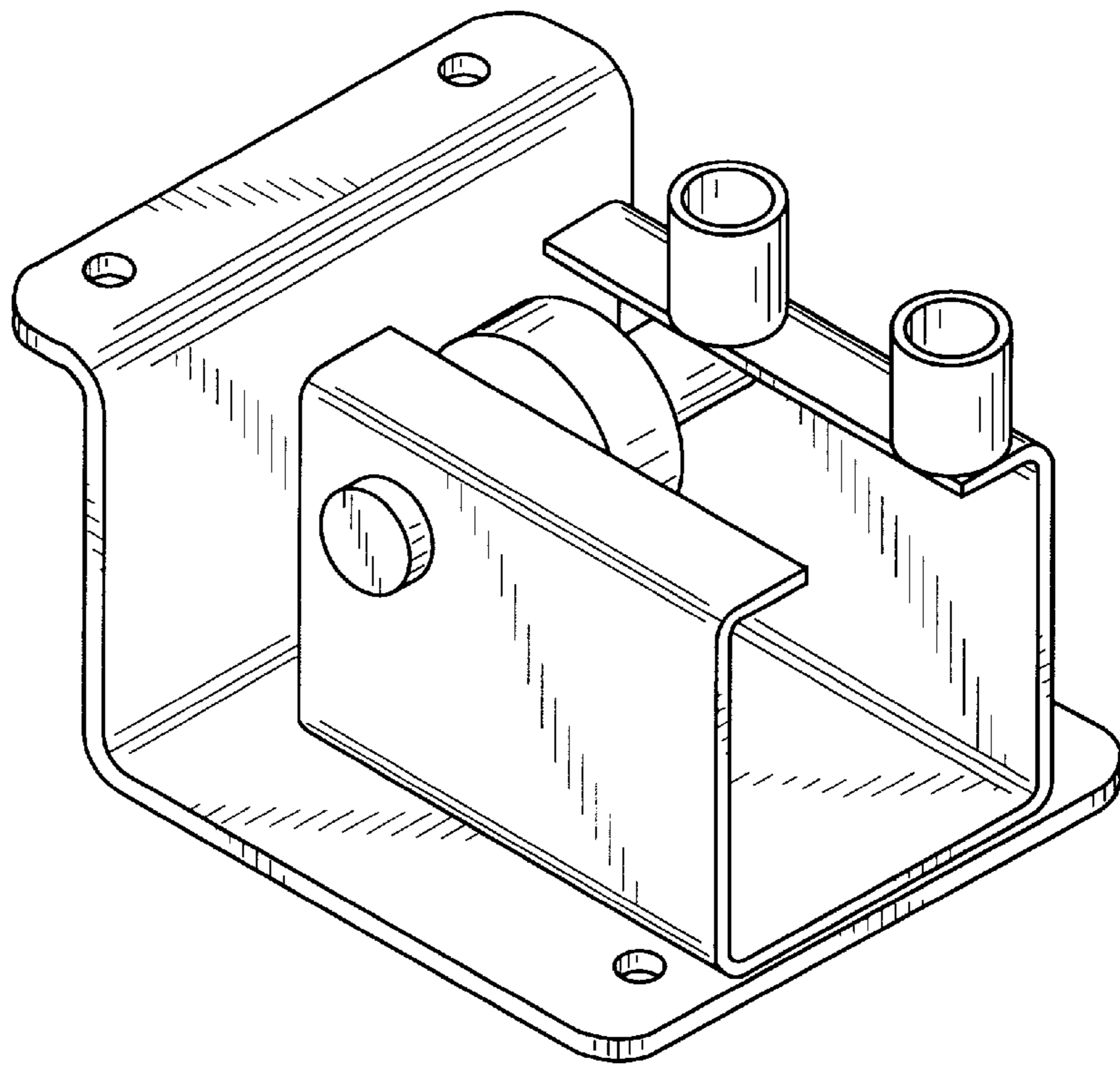
FIG. 5 is a rear view of the swivel guide;

FIG. 6 is a top view of the swivel guide; and,

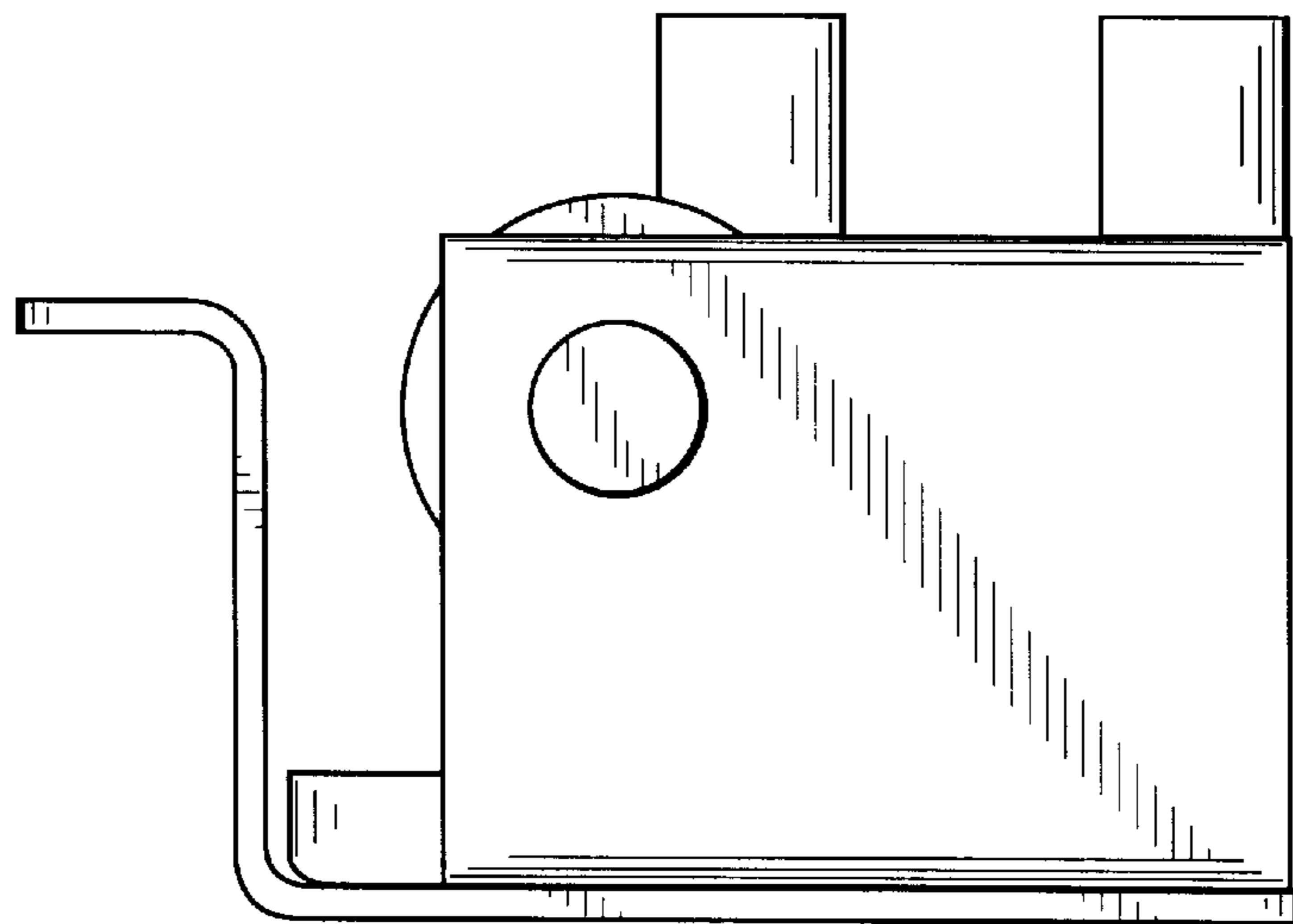
FIG. 7 is a bottom view of the swivel guide.

**1 Claim, 3 Drawing Sheets**

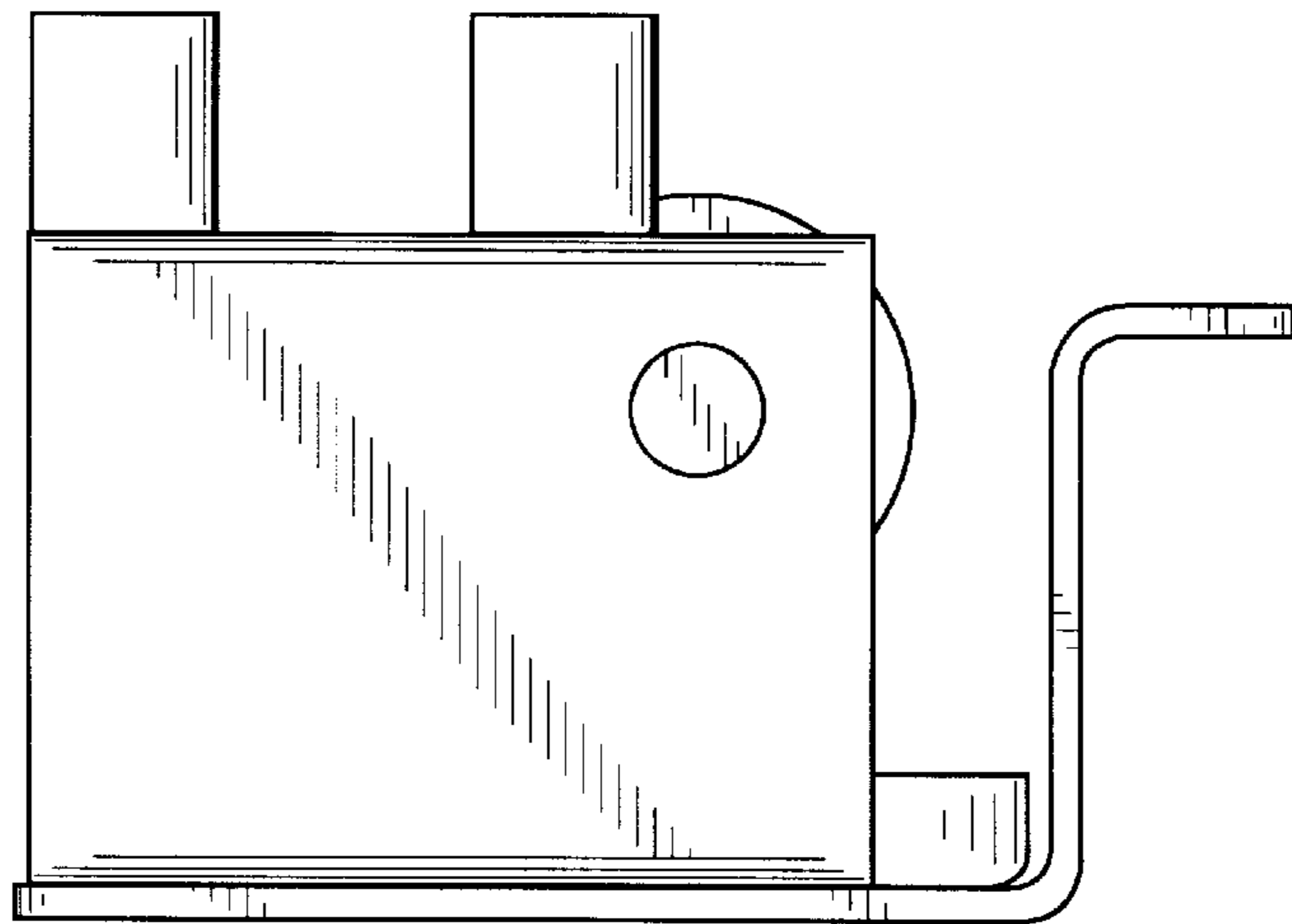




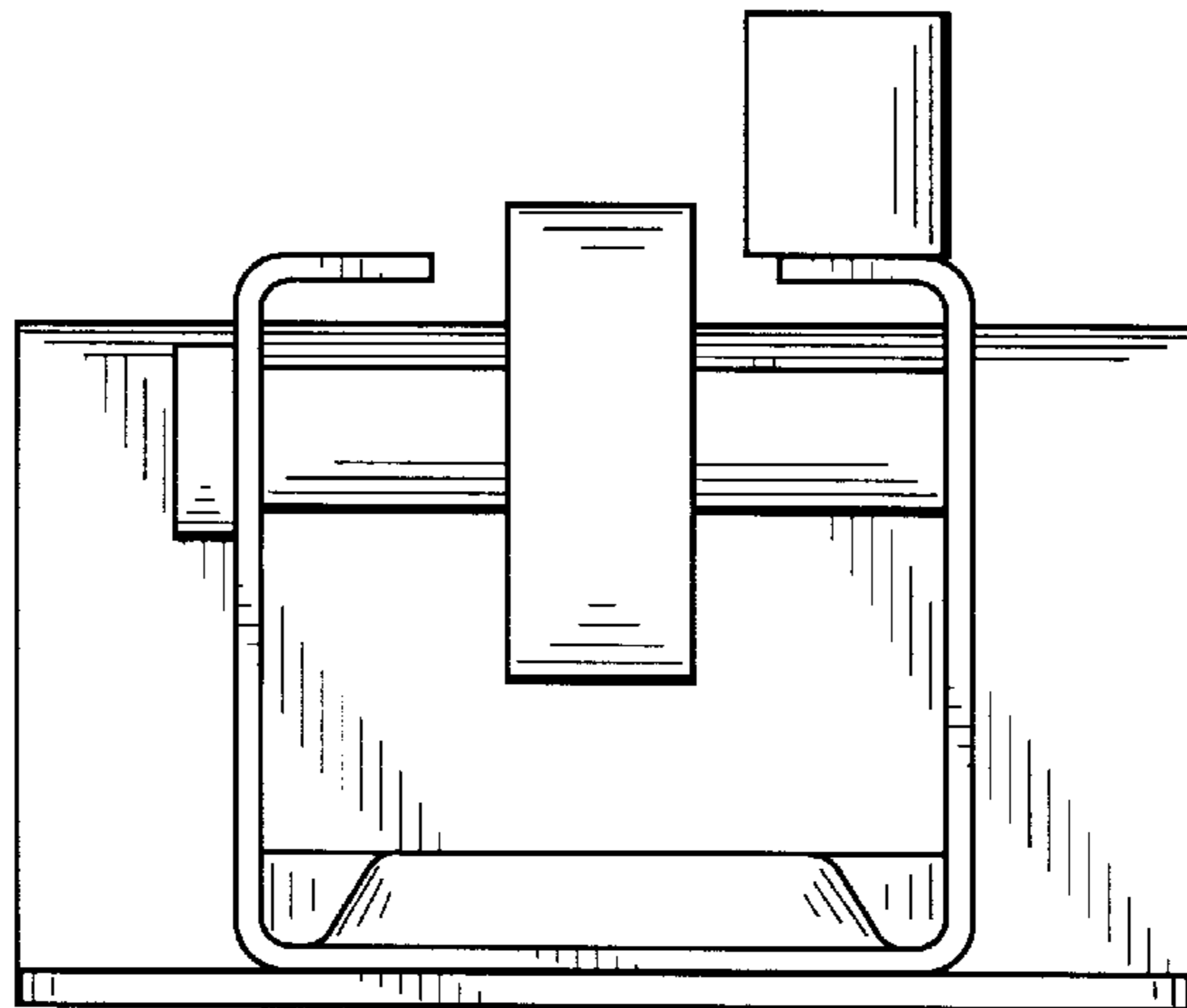
**Fig. 1**



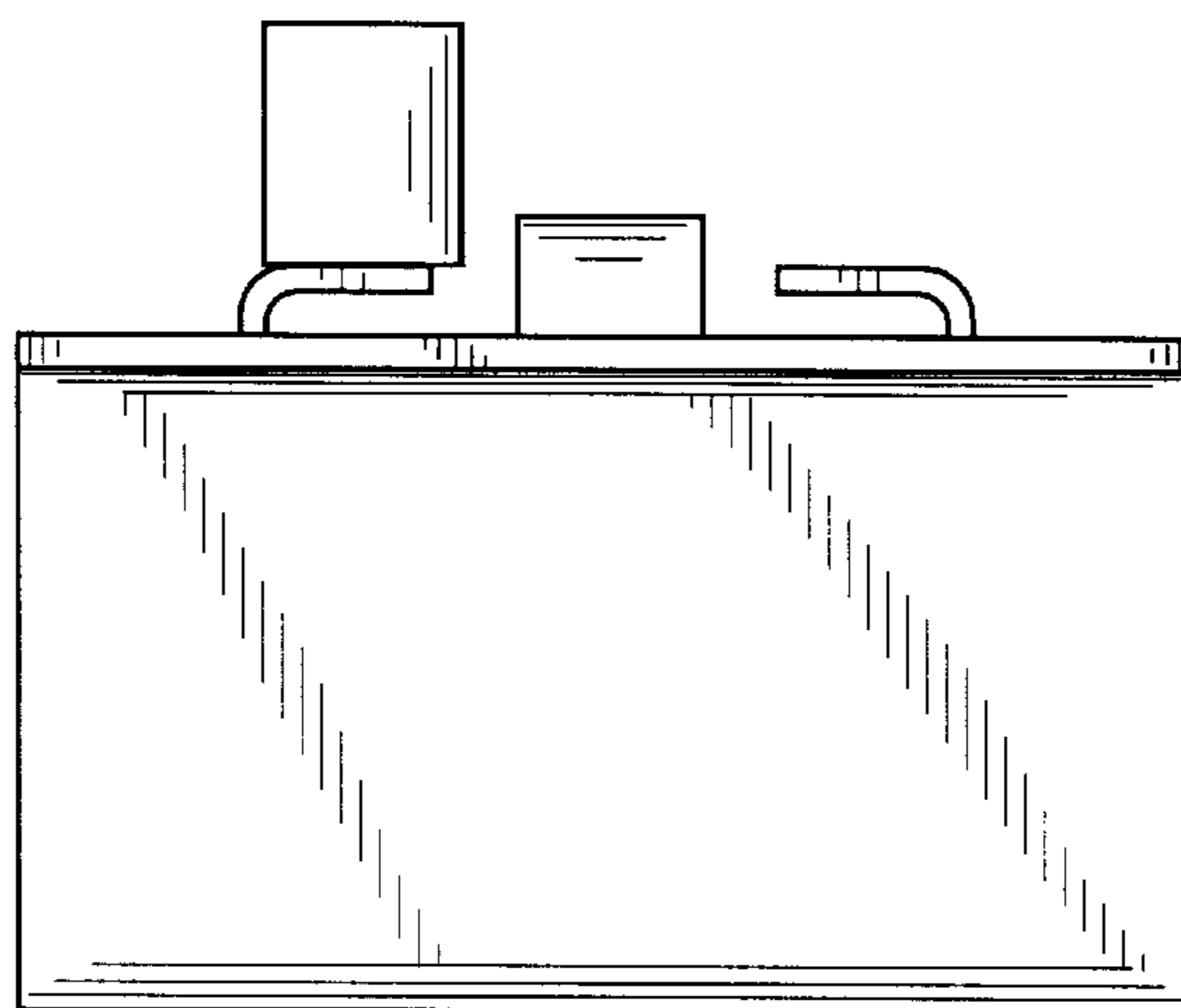
**Fig. 2**



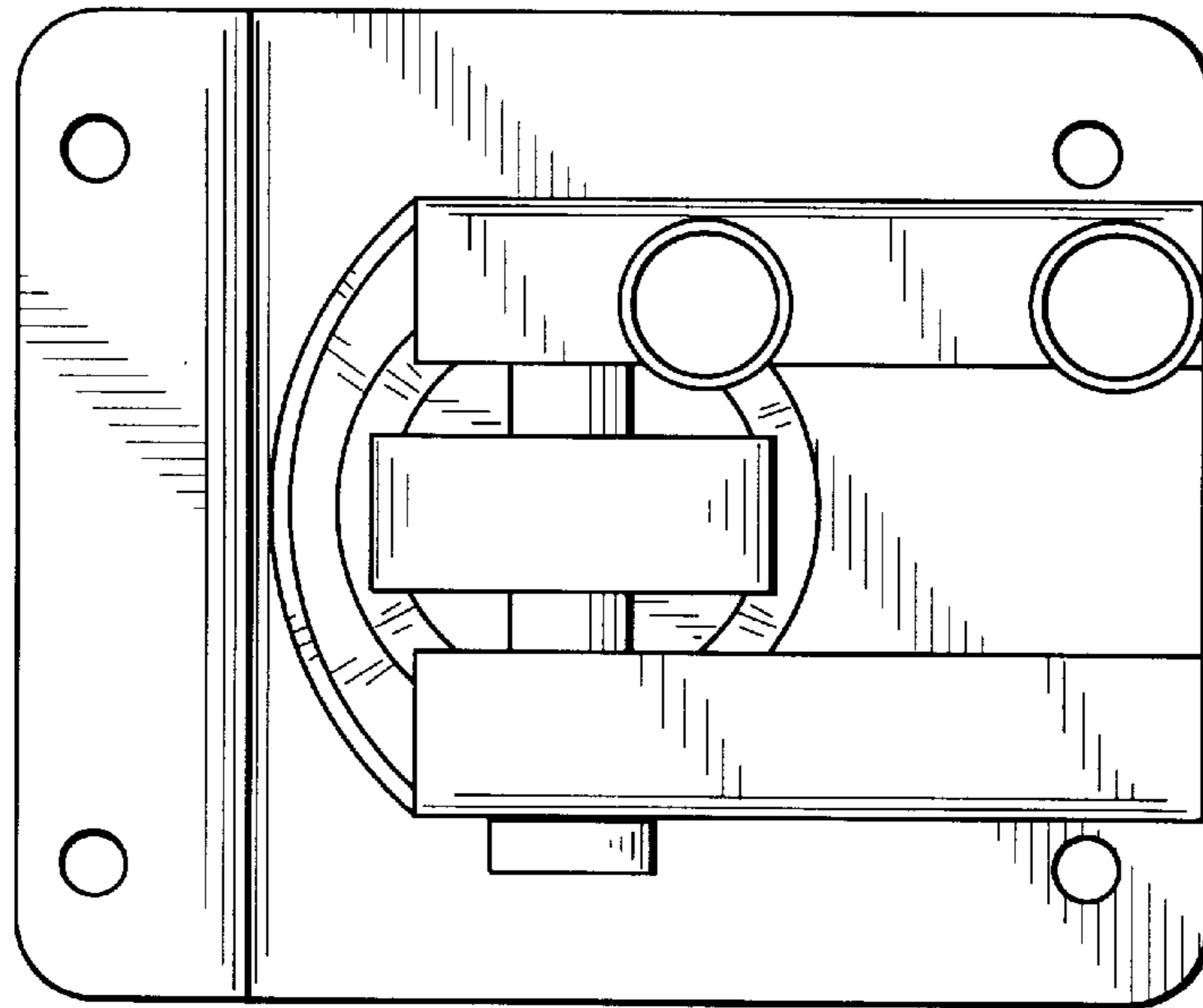
**Fig. 3**



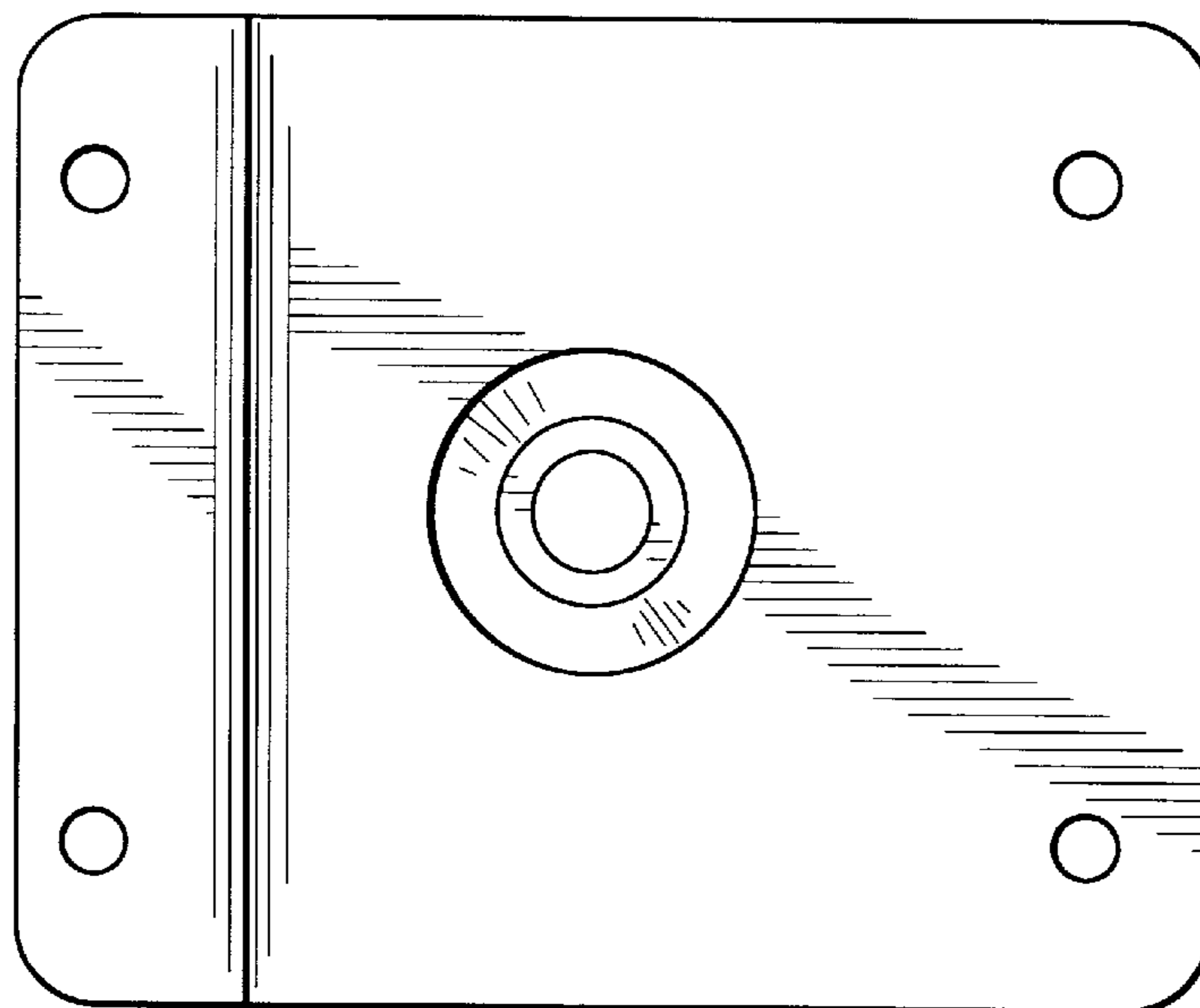
**Fig. 4**



**Fig. 5**



*Fig. 6*



*Fig. 7*