



US00D442064S

(12) **United States Design Patent**
Chung

(10) **Patent No.:** **US D442,064 S**

(45) **Date of Patent:** **** May 15, 2001**

(54) **EYELET**

(75) Inventor: **Do Jin Chung**, Qingdao (CN)

(73) Assignee: **Qingdao Gyoha Plastics Co., Ltd.**
(CN)

(**) Term: **14 Years**

(21) Appl. No.: **29/100,412**

(22) Filed: **Feb. 9, 1999**

(51) **LOC (7) Cl.** **08-05**

(52) **U.S. Cl.** **D8/356**

(58) **Field of Search** D8/356; 411/508,
411/510; 174/153 G

(56) **References Cited**

U.S. PATENT DOCUMENTS

- D. 313,340 * 1/1991 Stathis et al. D8/356
- D. 364,084 * 11/1995 Yalch D8/356

OTHER PUBLICATIONS

Grammes Catalog, p. 44, grommets item 2639-1, Jan. 1941.*

Stimpson Catalog, p. 8, grommets located at left of page, Jan. 1978.*

* cited by examiner

Primary Examiner—Holly Baynham

(74) *Attorney, Agent, or Firm*—Cislo & Thomas, LLP

(57) **CLAIM**

The ornamental design for eyelet, as shown and described.

DESCRIPTION

FIG. 1: a perspective view of coupling of the eyelet showing my new design;

FIG. 2 is a front view of the eyelet with the rear, left and right views being identical in appearance;

FIG. 3 is a top plan view of the eyelet;

FIG. 4: a bottom view of coupling of the eyelet;

FIG. 5 is a cross-sectional view taken along line 5—5 of FIG. 3;

FIG. 6: a perspective view of a lower ring of the eyelet;

FIG. 7 is a front view of the lower ring of the eyelet with the rear view being identical in appearance;

FIG. 8 is a left view of the lower ring of the eyelet with the right view being identical in appearance;

FIG. 9: a plan view of a lower ring of the eyelet;

FIG. 10: a bottom view of a lower ring of eyelet;

FIG. 11 is a cross-sectional view along line 11—11 of FIG. 9;

FIG. 12: a perspective view of an upper ring of the eyelet;

FIG. 13 is a front view of an upper ring of the eyelet with the rear view being identical in appearance;

FIG. 14 is a left view of an upper ring of the eyelet with the right view being identical in appearance;

FIG. 15: a plan view of an upper ring of the eyelet;

FIG. 16: a bottom view of an upper ring of eyelet; and,

FIG. 17 is a cross-sectional view along line 17—17 of FIG. 16.

1 Claim, 9 Drawing Sheets

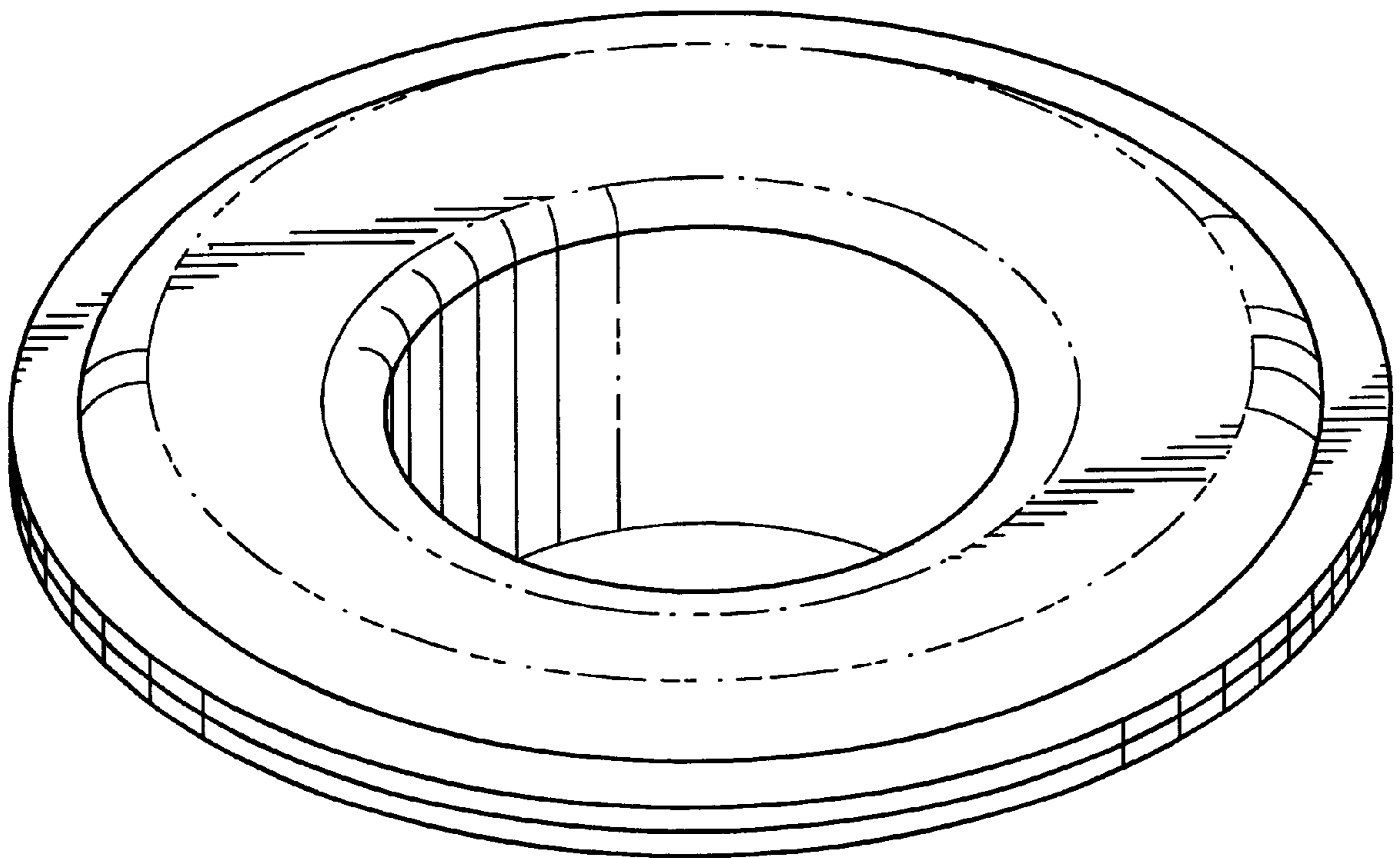


FIG. 1

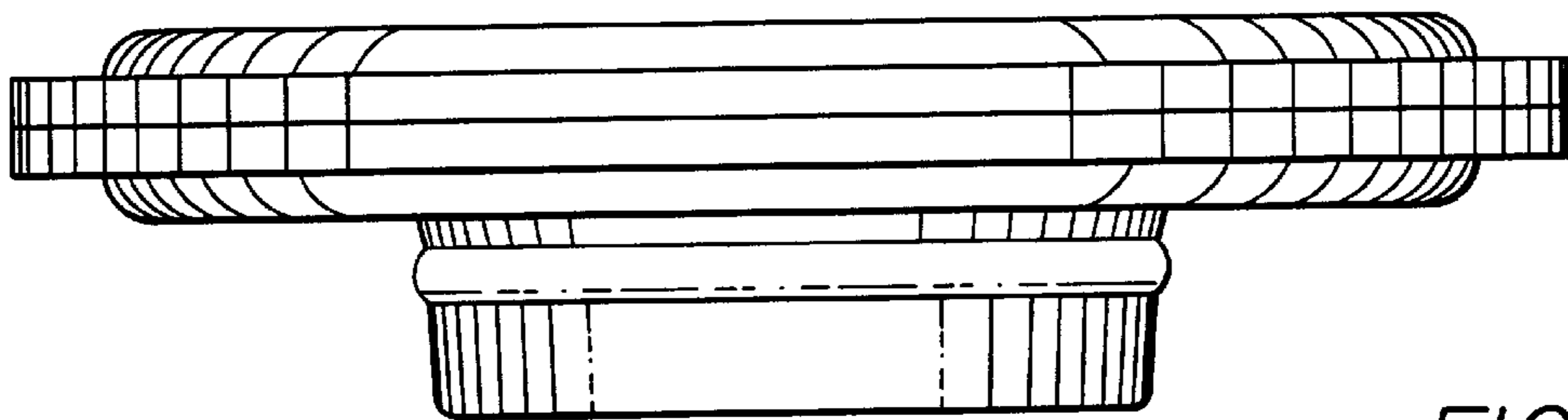
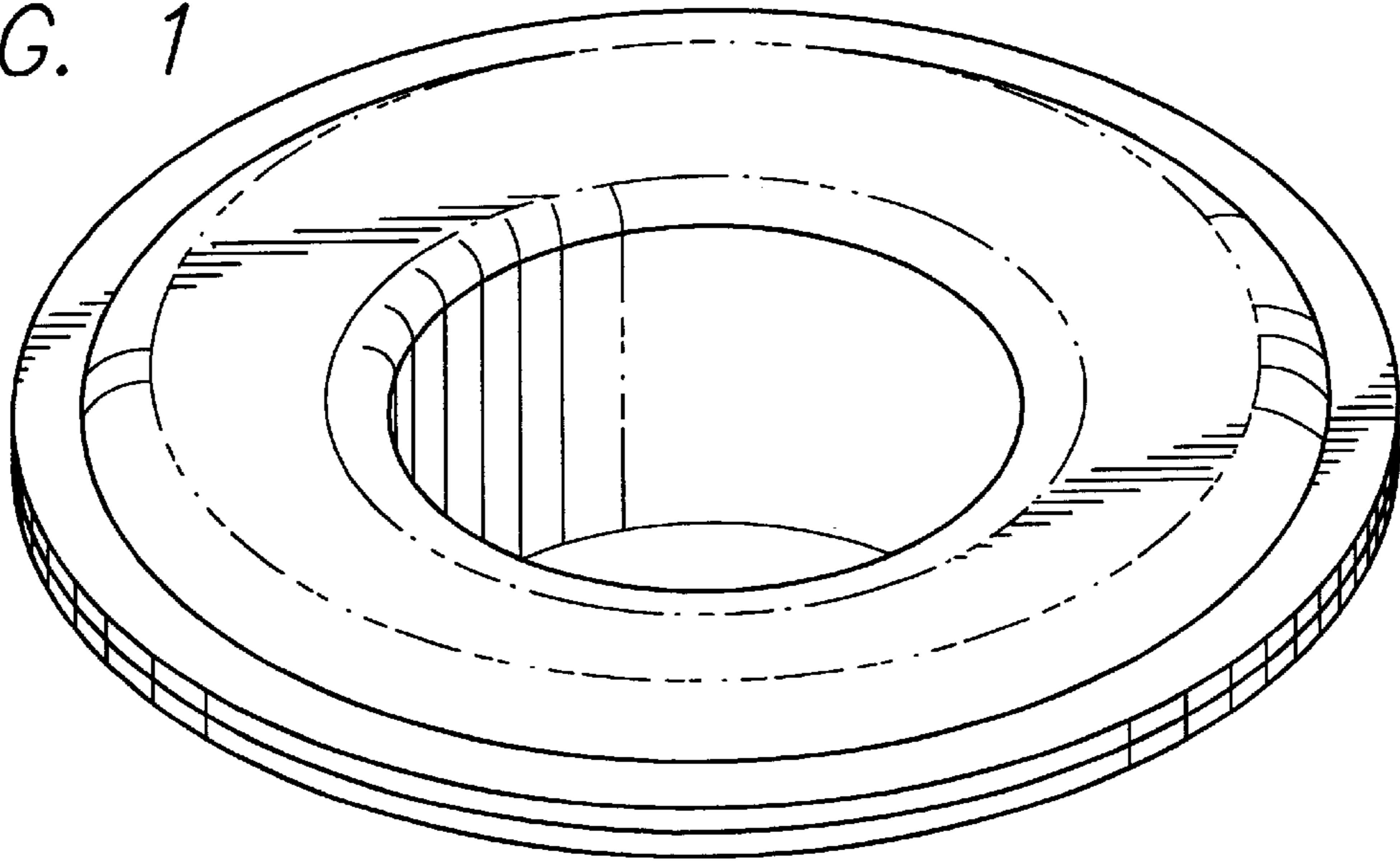


FIG. 2

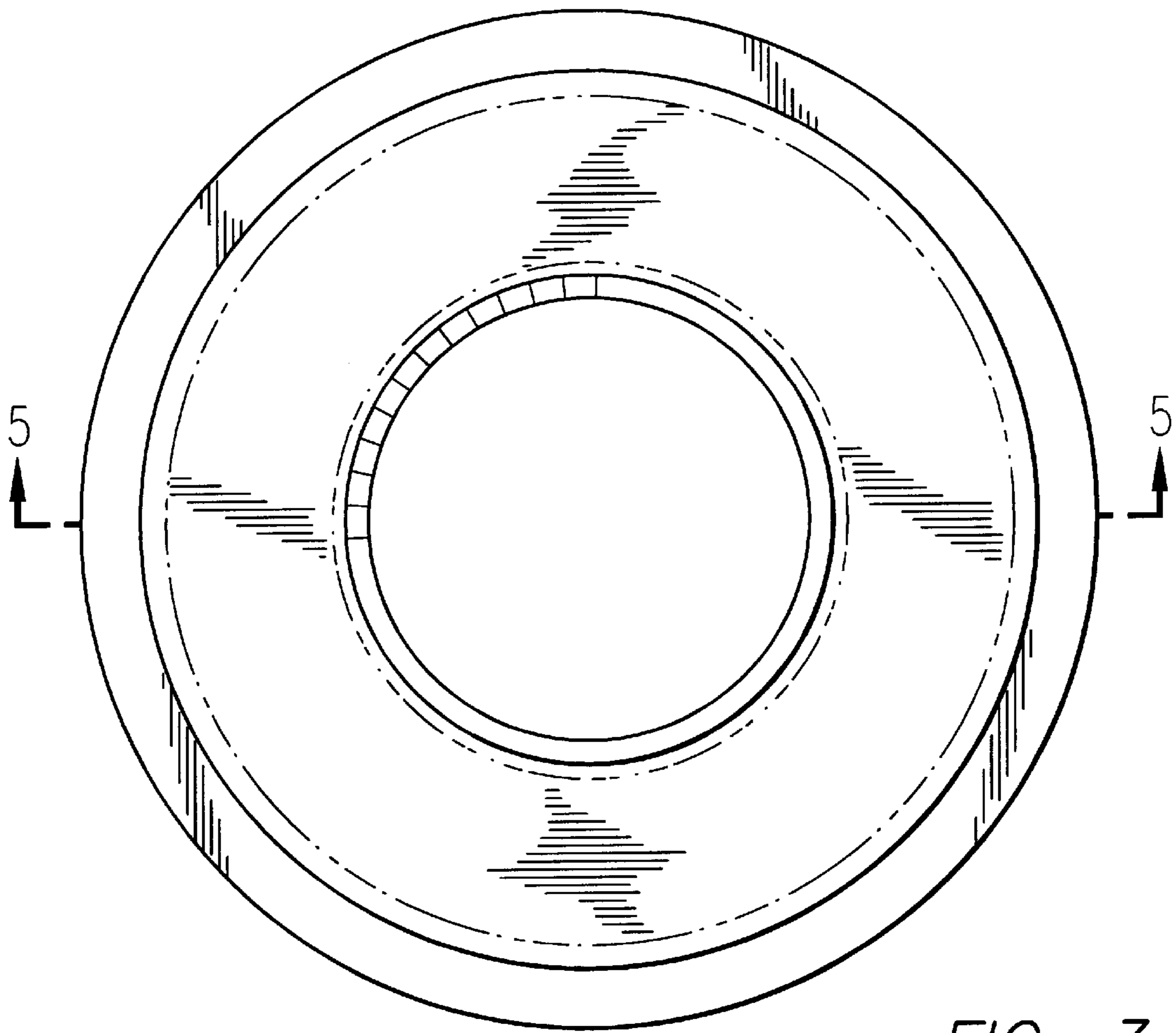


FIG. 3

FIG. 4

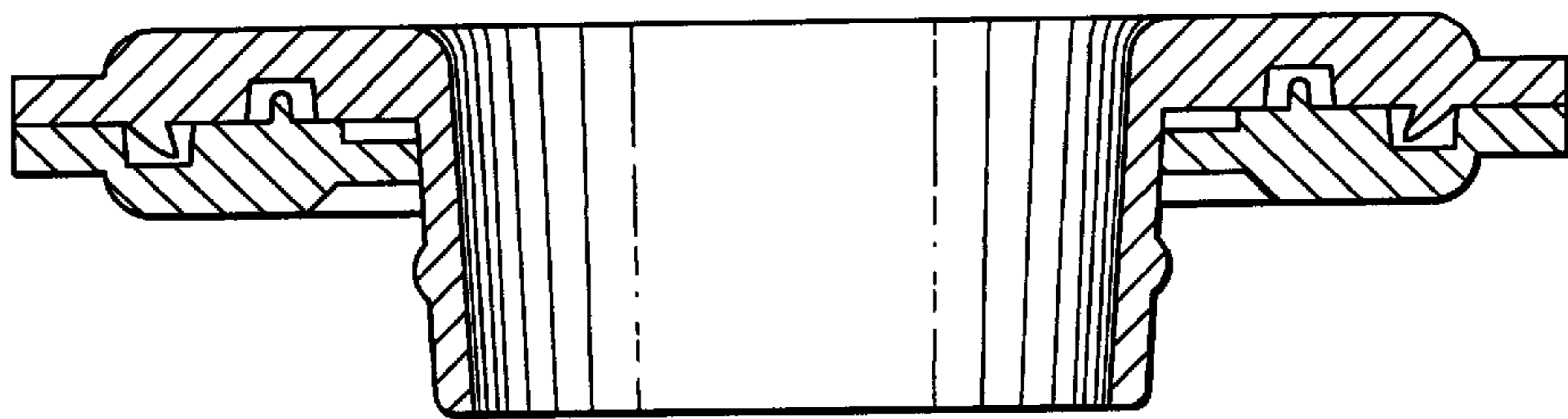
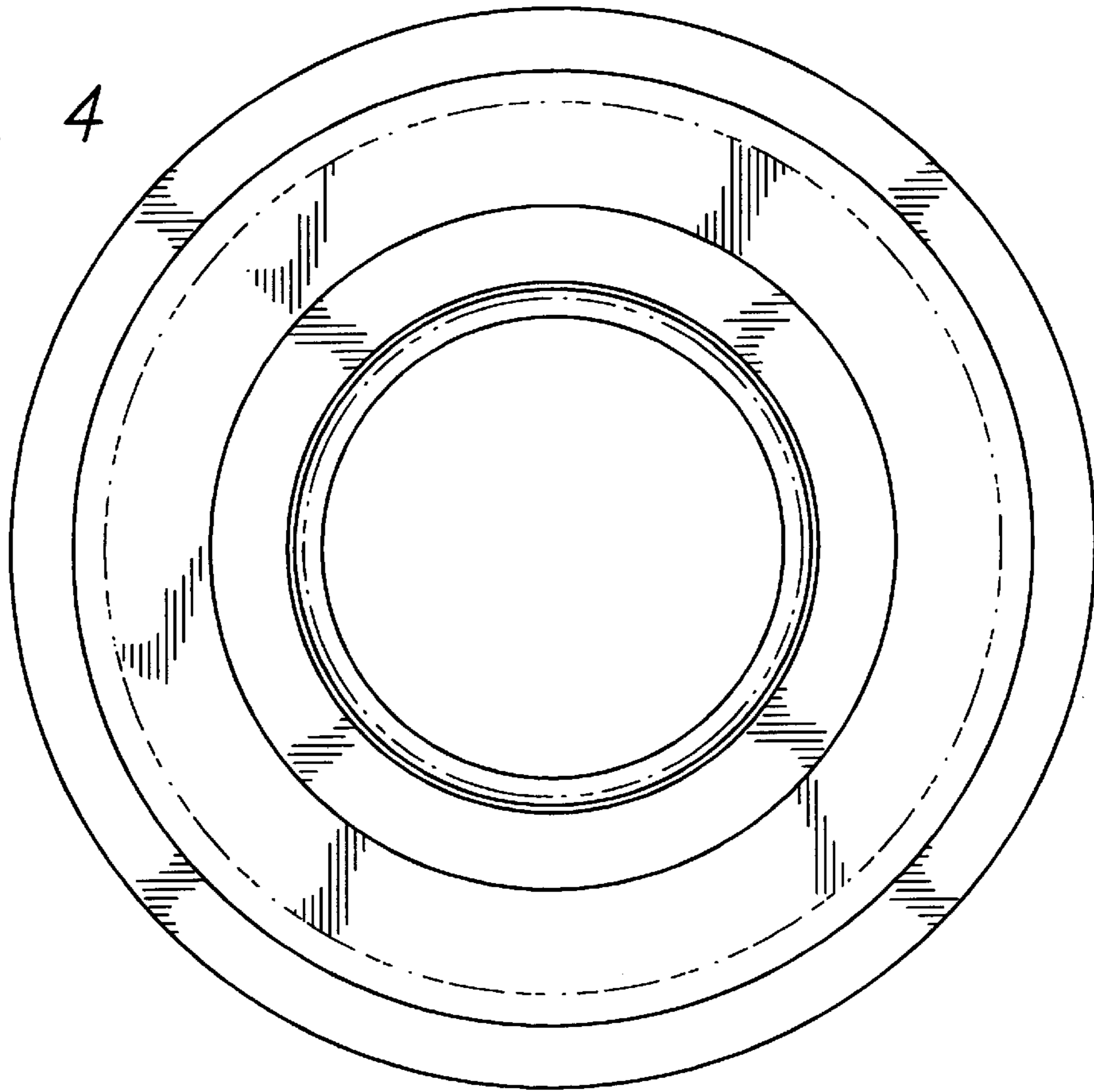


FIG. 5

FIG. 6

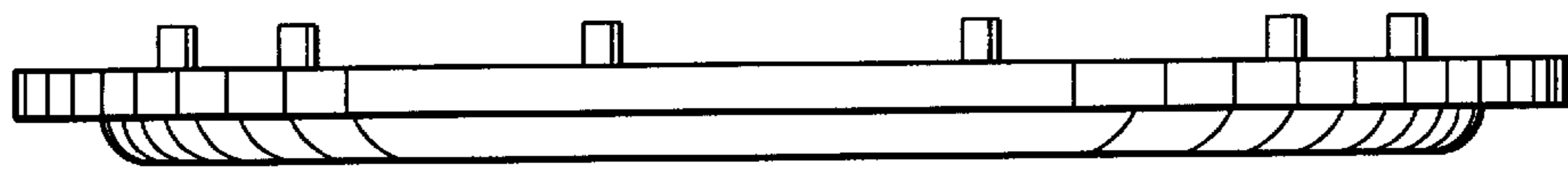
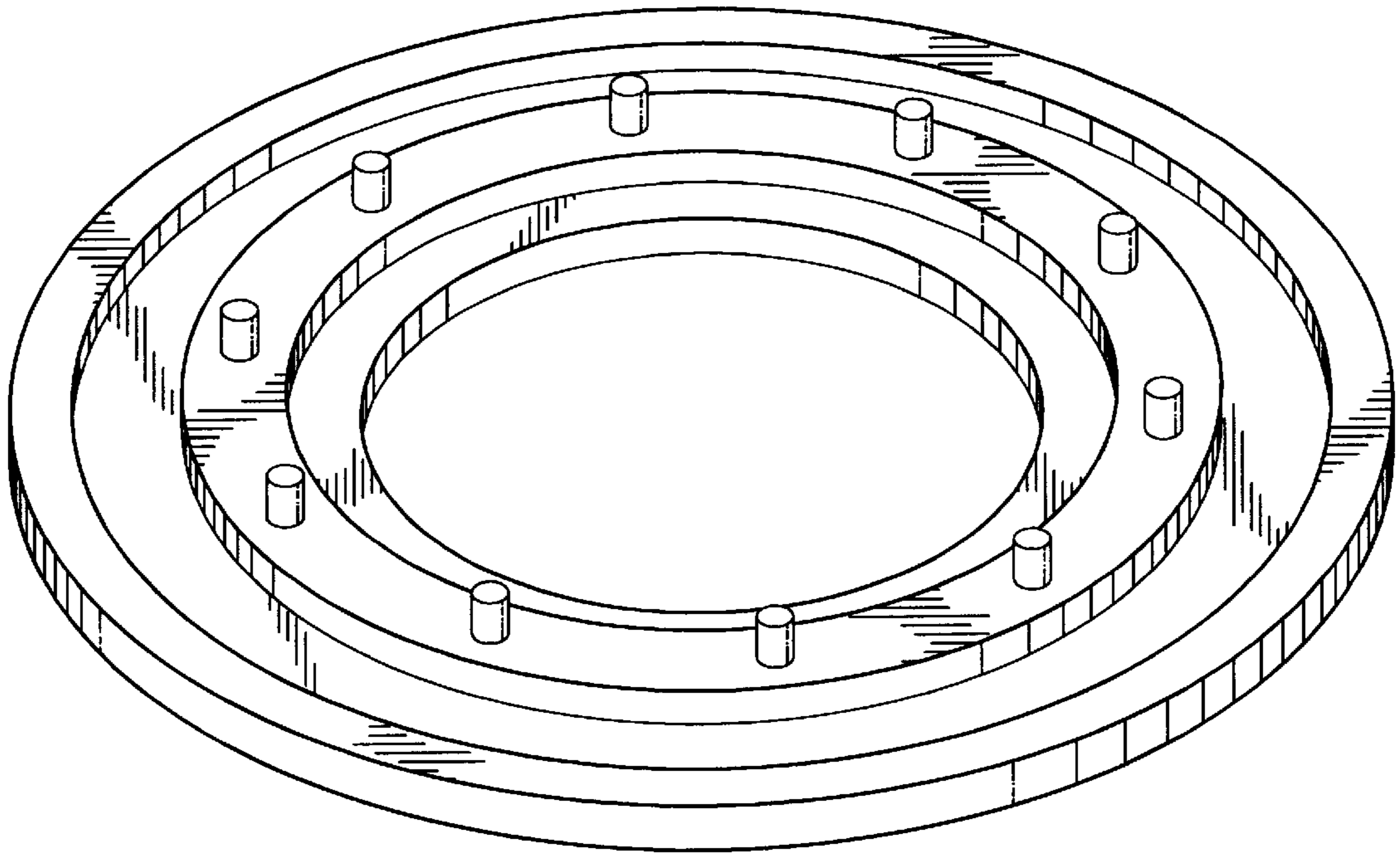


FIG. 7

FIG. 8

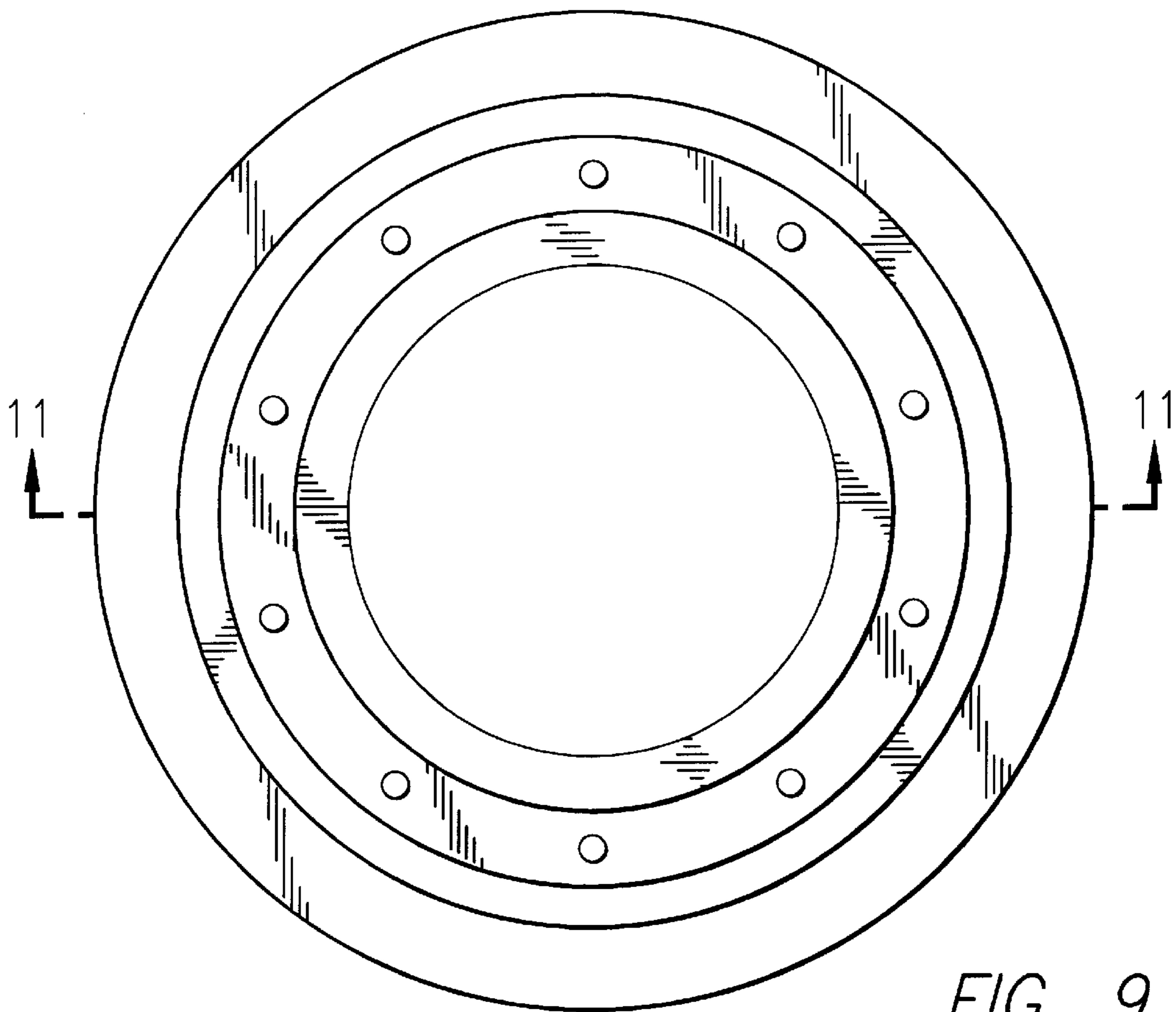
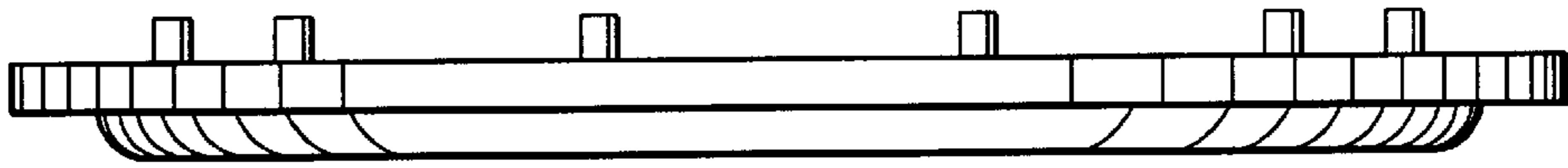


FIG. 9

FIG. 10

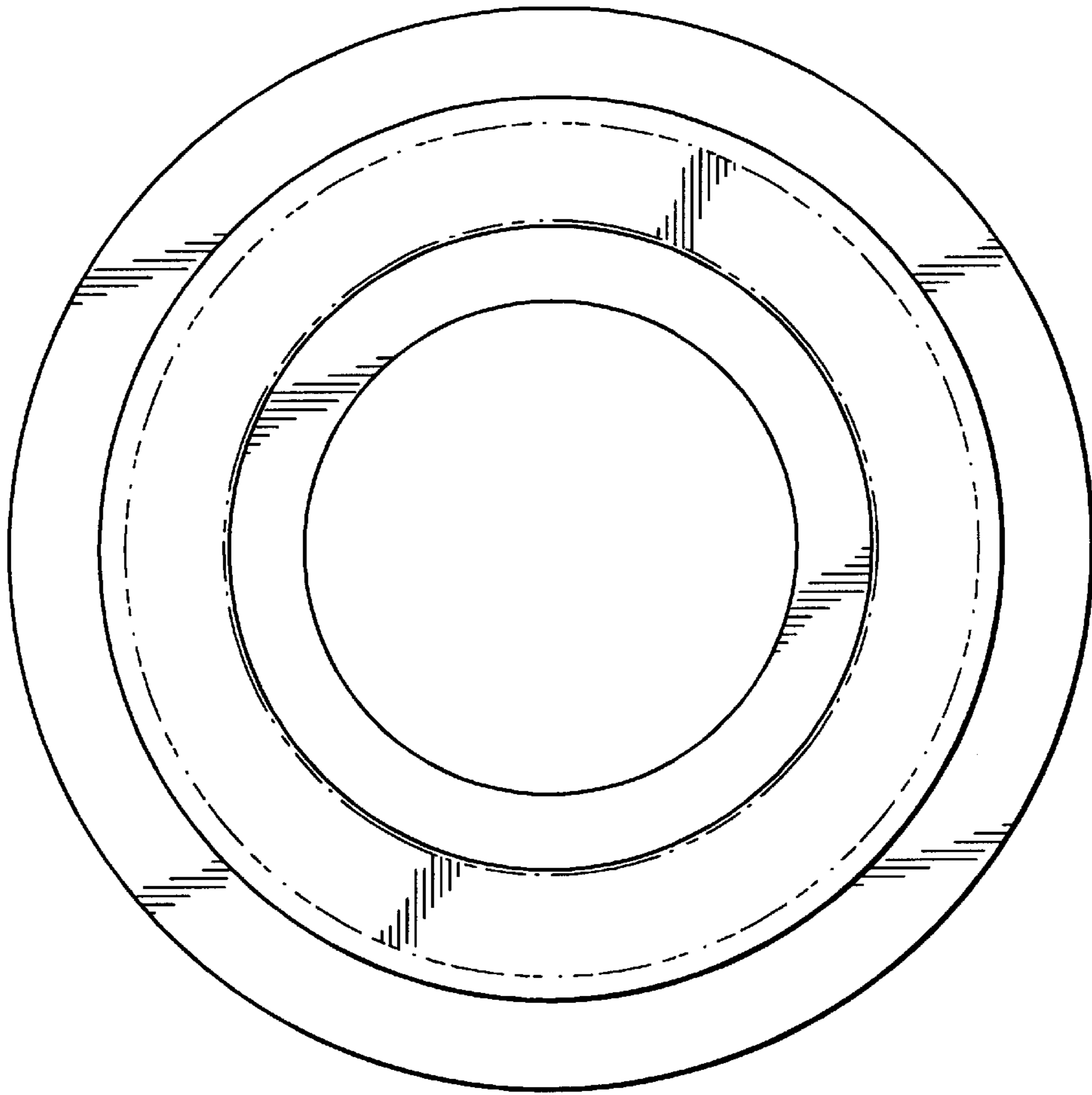


FIG. 11

FIG. 12

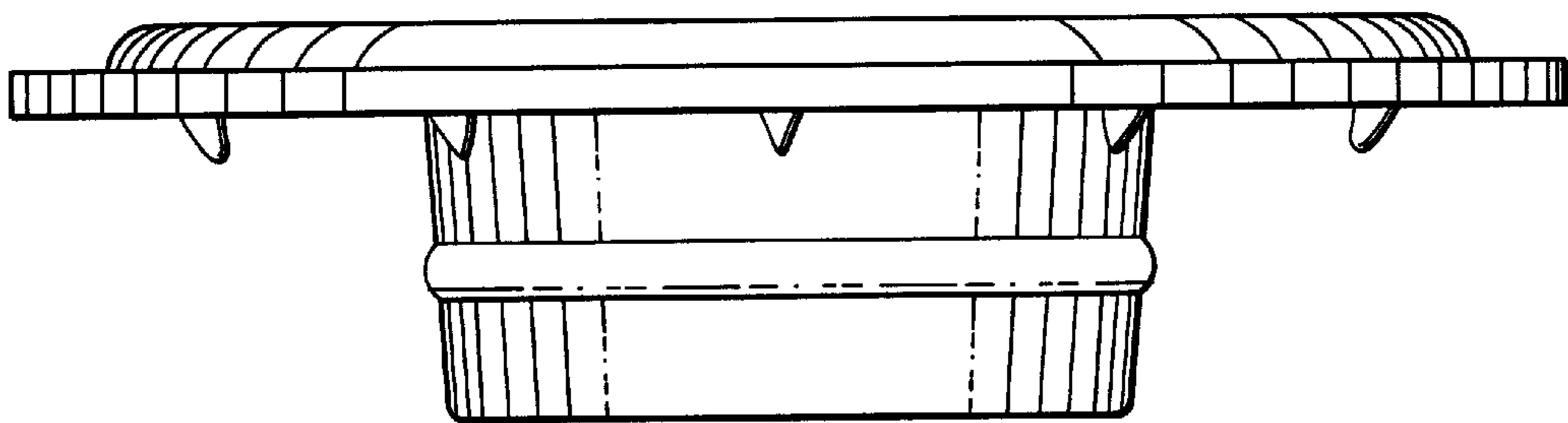
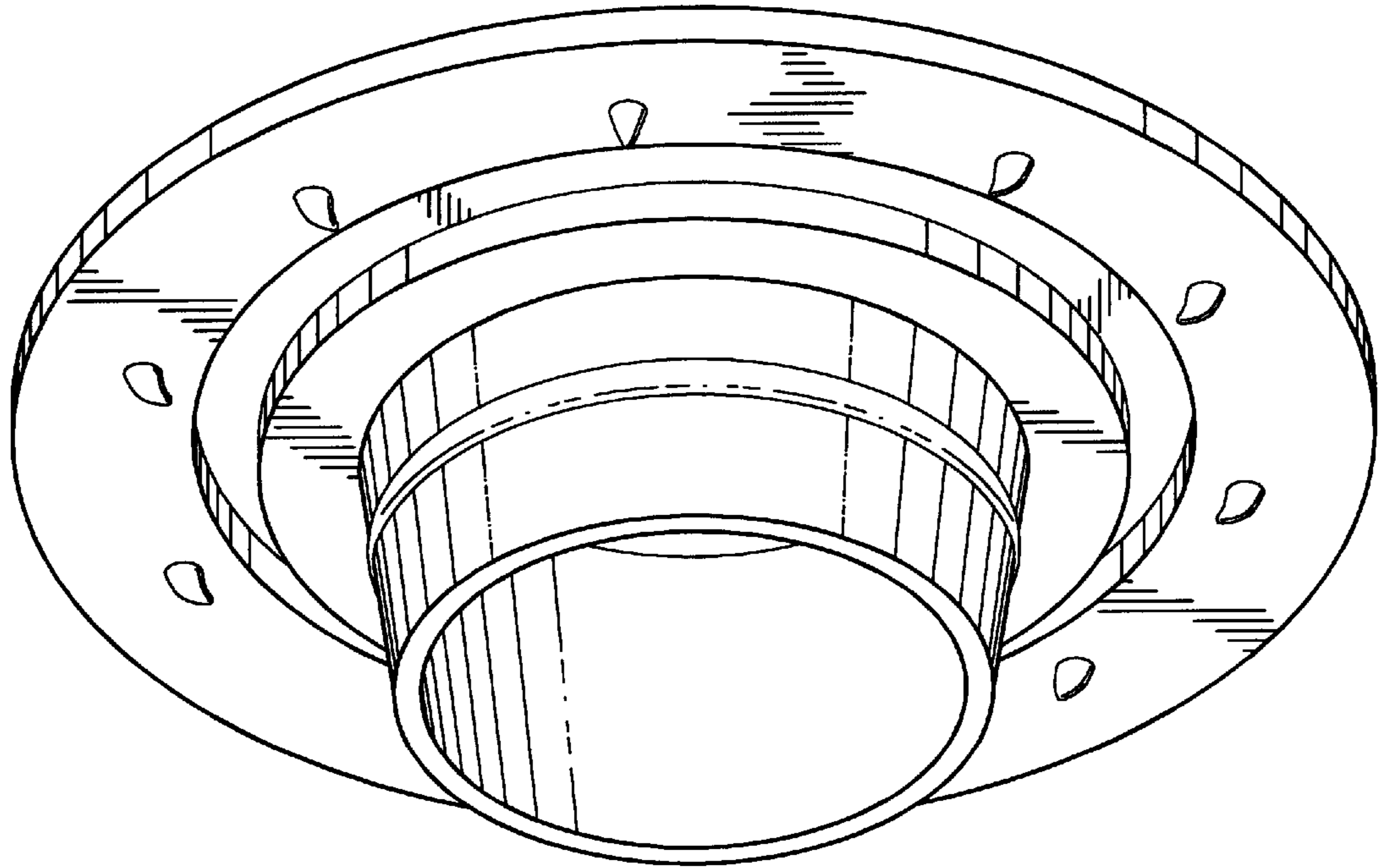


FIG. 13

FIG. 14

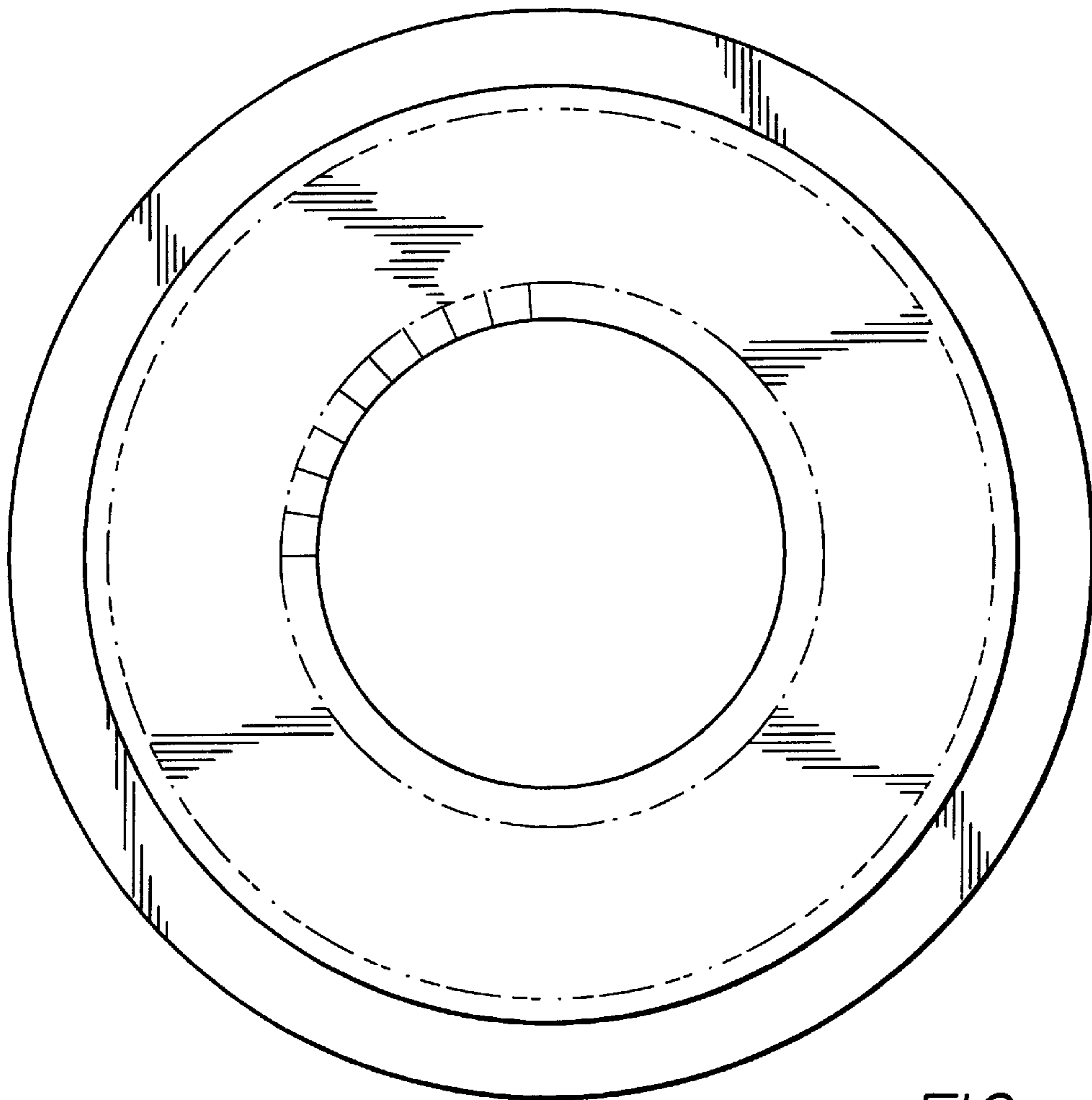
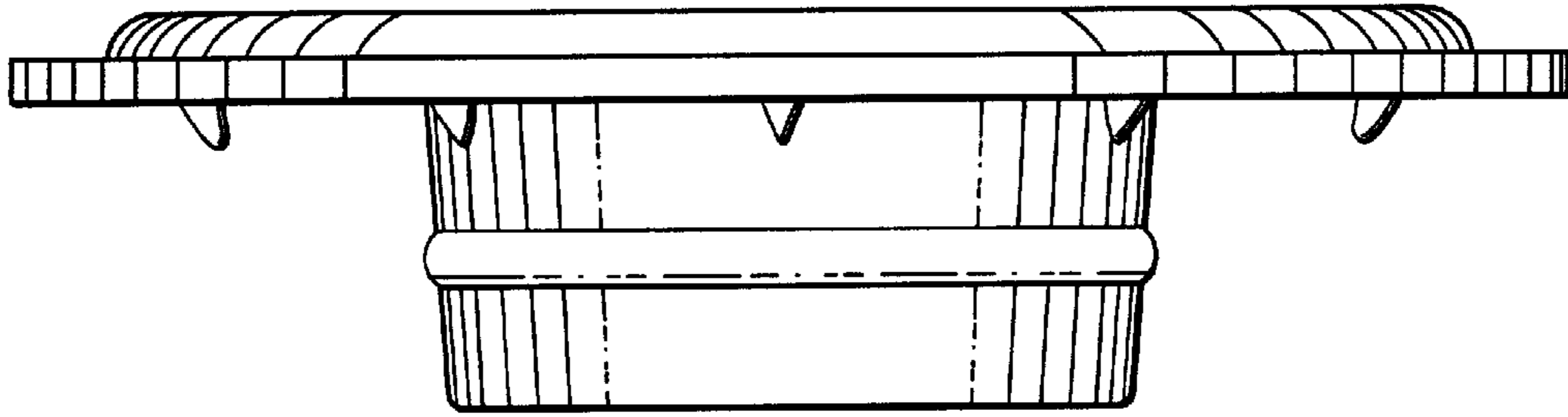


FIG. 15

FIG. 16

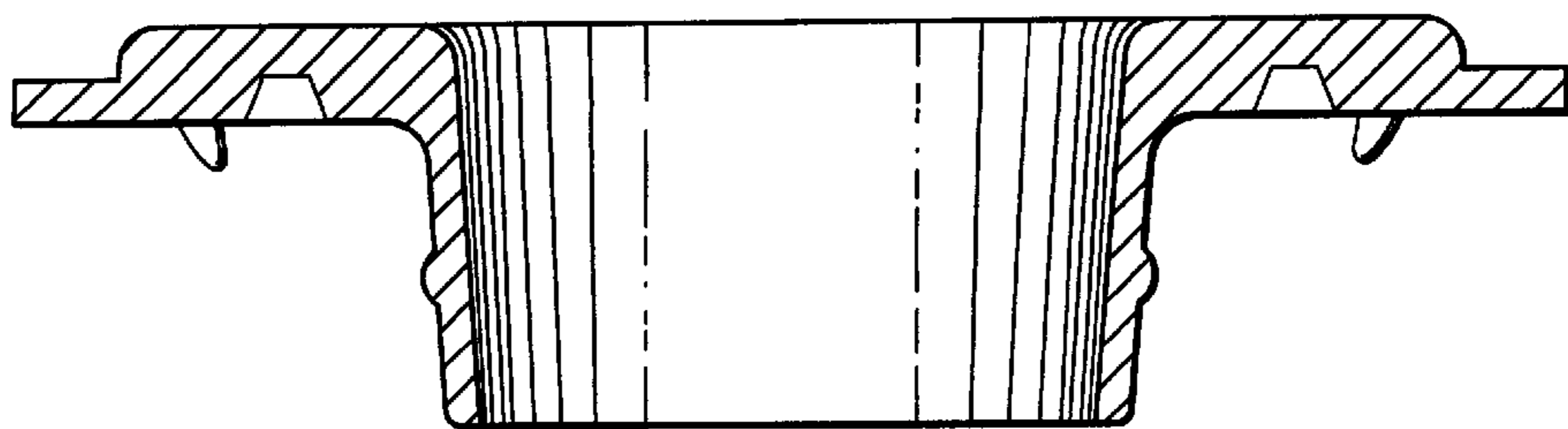
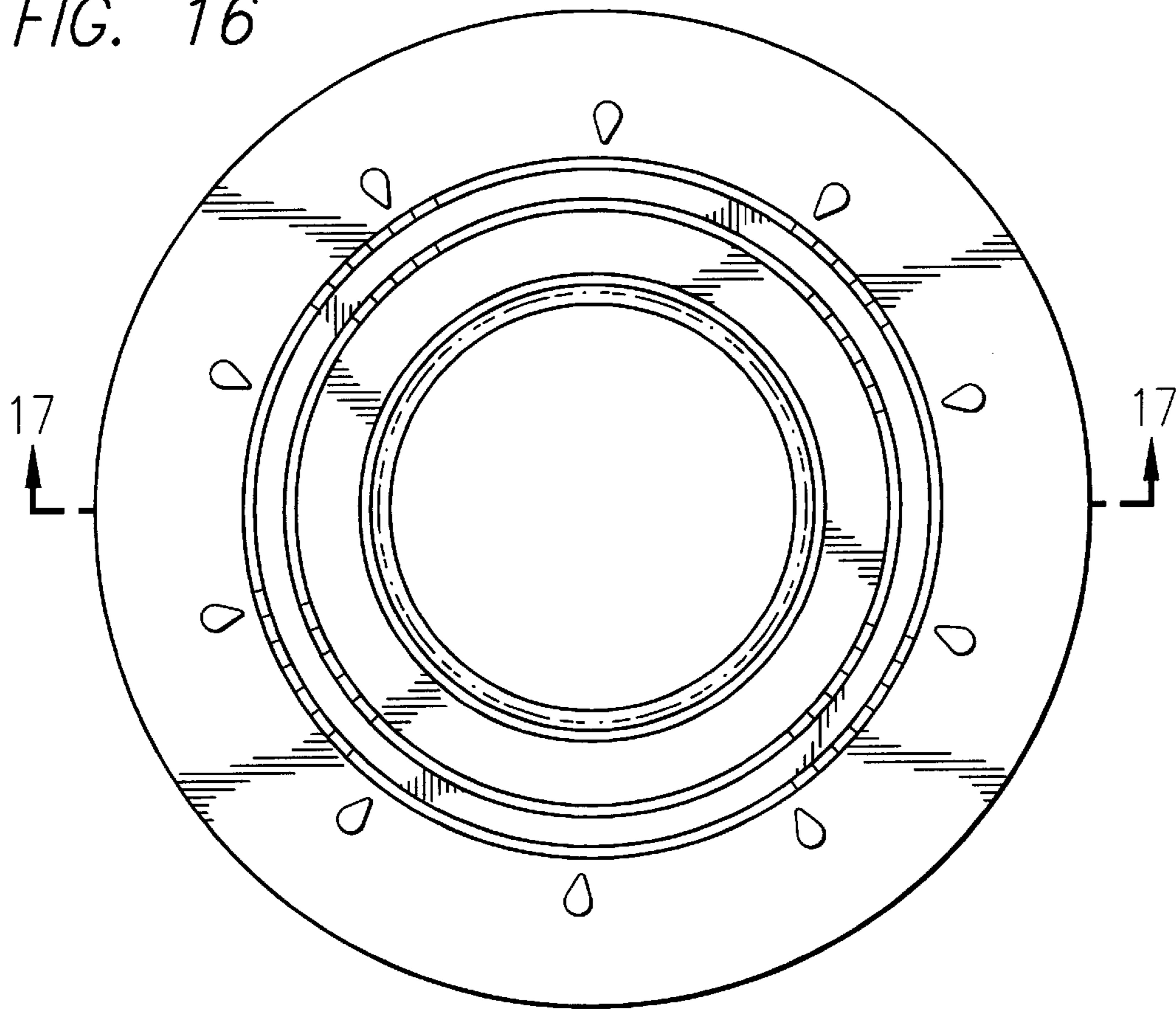


FIG. 17