



US00D442063S

(12) **United States Design Patent**
Snyder

(10) **Patent No.:** **US D442,063 S**

(45) **Date of Patent:** **** May 15, 2001**

(54) **ADJUSTABLE DUCT BRACKET**

4,717,099 1/1988 Hubbard 248/57
6,062,515 5/2000 Snyder 248/62

(75) Inventor: **Darryl L. Snyder**, Canton, OH (US)

OTHER PUBLICATIONS

(73) Assignee: **Snyder National, Inc.**, Canton, OH (US)

Thermobrackets catalog Sep. 10, 1999, cover sheet, adjustable brackets located at left of page.*

(**) Term: **14 Years**

* cited by examiner

(21) Appl. No.: **29/125,570**

Primary Examiner—Holly Baynham

(22) Filed: **Jun. 23, 2000**

(74) *Attorney, Agent, or Firm*—Sand & Sebolt

(51) **LOC (7) Cl.** **08-05**

(52) **U.S. Cl.** **D8/349**

(58) **Field of Search** D8/354, 349, 377;
D25/119–125; 248/71, 62

(57) **CLAIM**

The ornamental design for an adjustable duct bracket, as shown and described.

DESCRIPTION

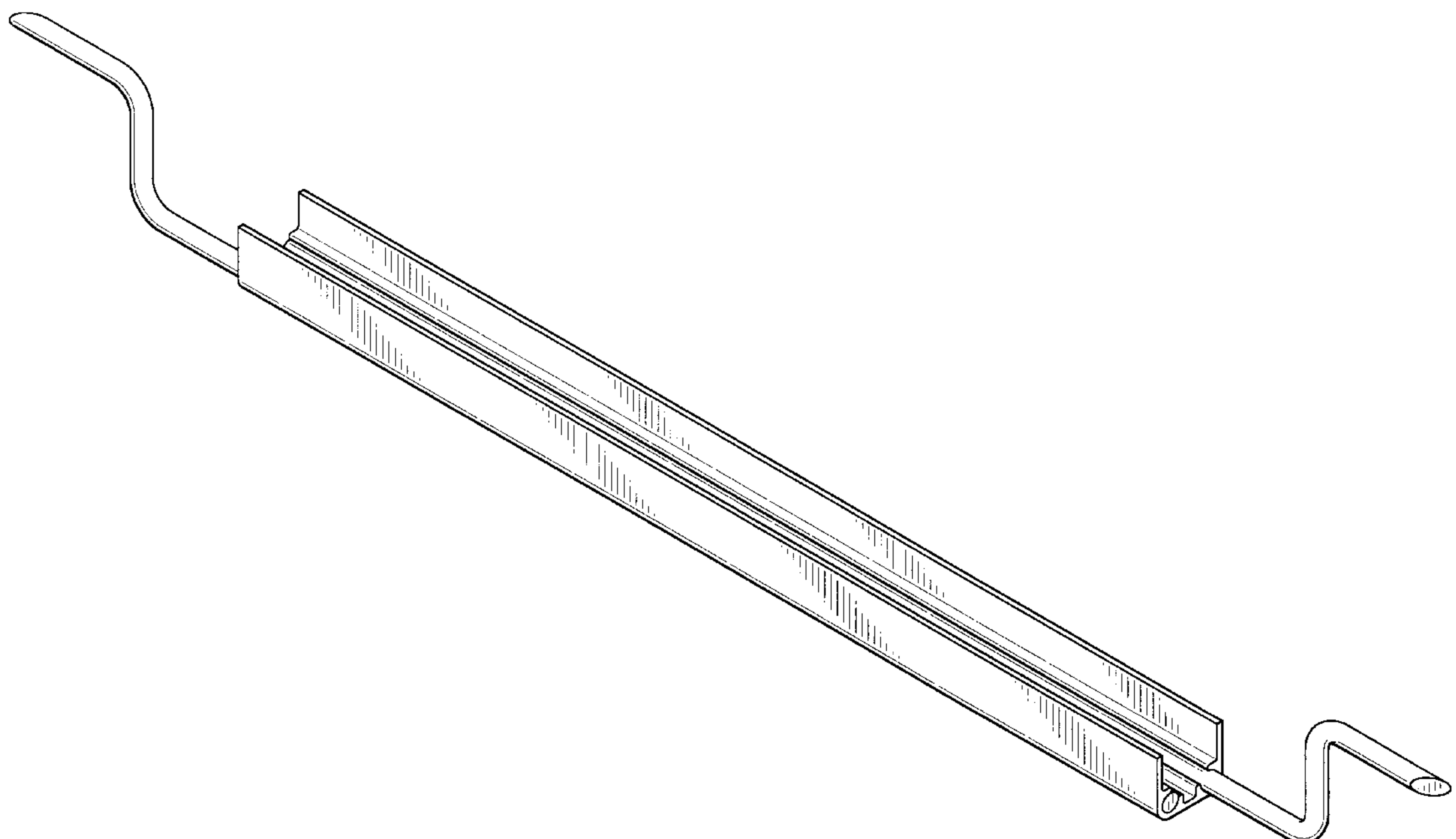
(56) **References Cited**

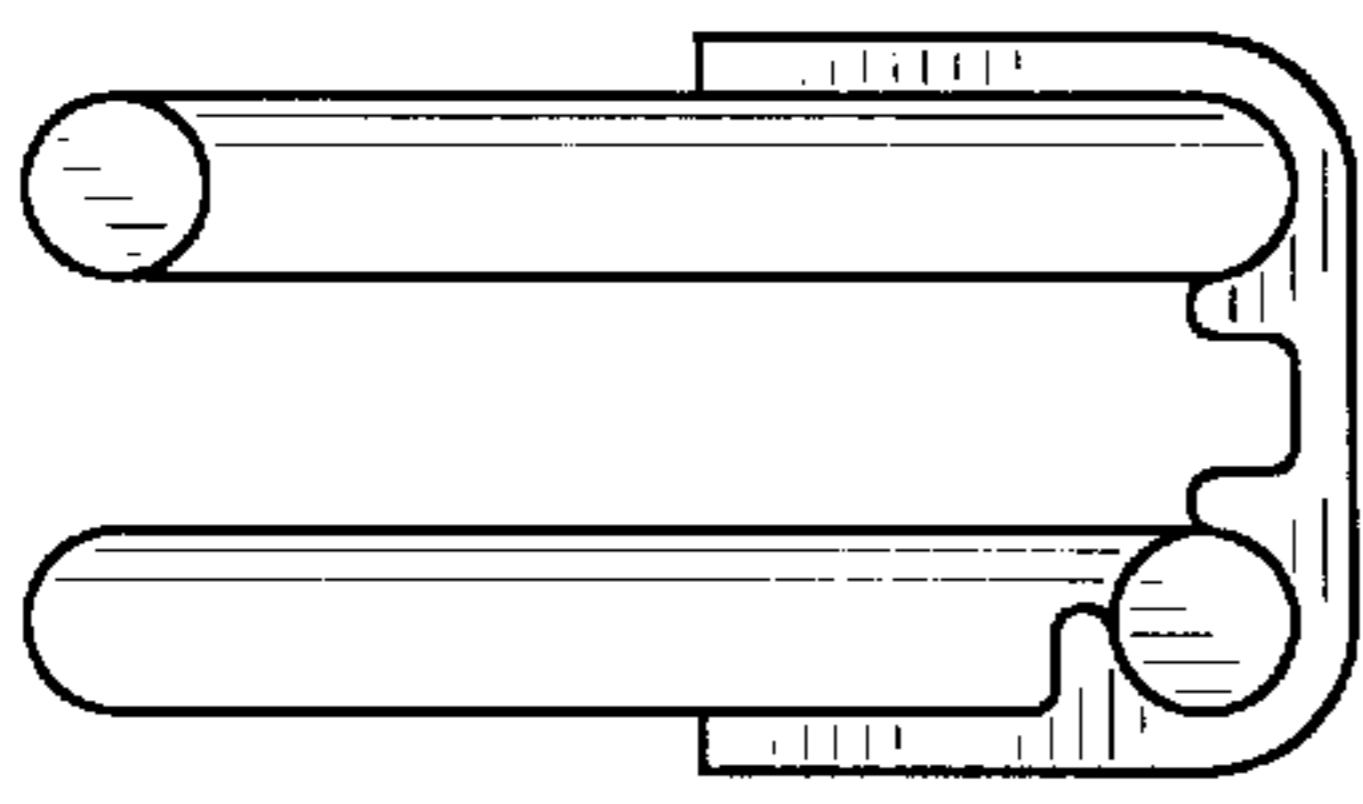
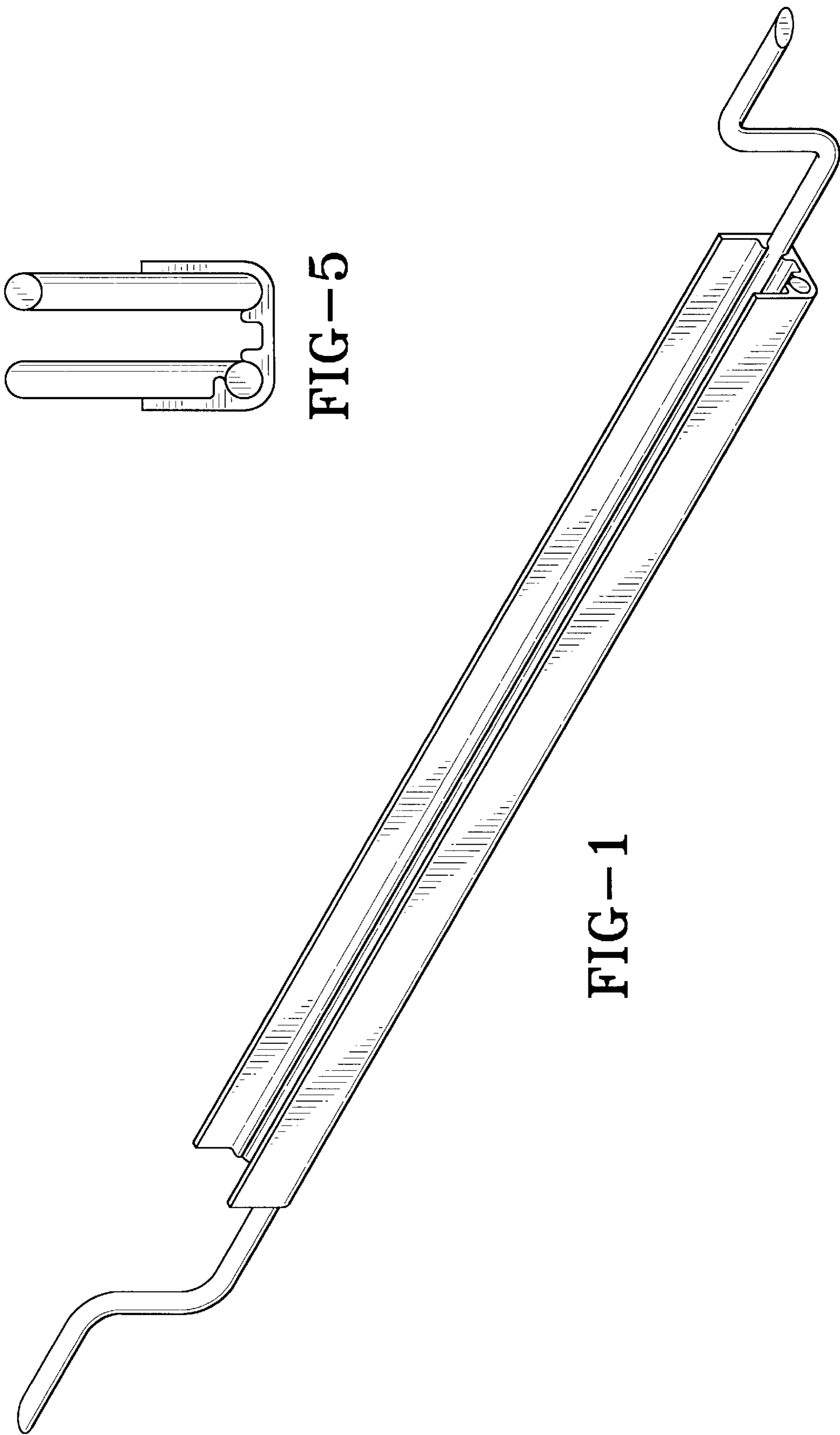
U.S. PATENT DOCUMENTS

D. 283,395	*	4/1986	Cox et al.	D8/377
505,209		9/1893	White .		
796,178		8/1905	Beaton .		
2,423,455		7/1947	Larson	248/71
2,788,188		4/1957	Smith et al.	248/57
2,809,002		10/1957	Rudolph	248/205
2,917,263		12/1959	Appleton et al.	248/216
3,104,087		9/1963	Budnick et al.	248/343
3,162,413		12/1964	Hexdall	248/71
3,163,386		12/1964	Collins	248/71
3,189,682		6/1965	Irish	174/165
3,285,553		11/1966	Hexdall	248/71
3,718,307		2/1973	Albanese	248/205
4,356,986		11/1982	Lynch	248/57
4,518,141		5/1985	Parkin	248/546
4,538,786		9/1985	Manning	248/544
4,618,114		10/1986	McFarland	248/65

FIG. 1 is a perspective view of an adjustable duct bracket showing my new design;
 FIG. 2 is a top plan view of the adjustable duct bracket of FIG. 1;
 FIG. 3 is a front elevational view of FIG. 2;
 FIG. 4 is a bottom plan view of FIG. 2;
 FIG. 5 is a right side elevational view of FIG. 2, the left side being a mirror image thereof;
 FIG. 6 is a perspective view of an adjustable duct bracket showing my new design;
 FIG. 7 is a top plan view of the adjustable duct bracket of FIG. 6;
 FIG. 8 is a front elevational view of FIG. 7;
 FIG. 9 is a bottom plan view of FIG. 7; and,
 FIG. 10 is a right side elevational view of FIG. 7, the left side appearing the same.

1 Claim, 4 Drawing Sheets





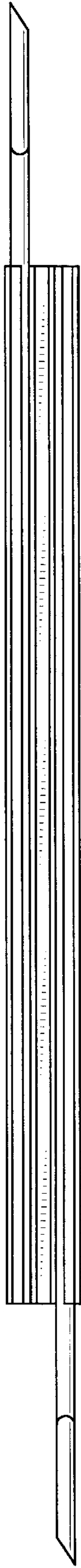


FIG-2

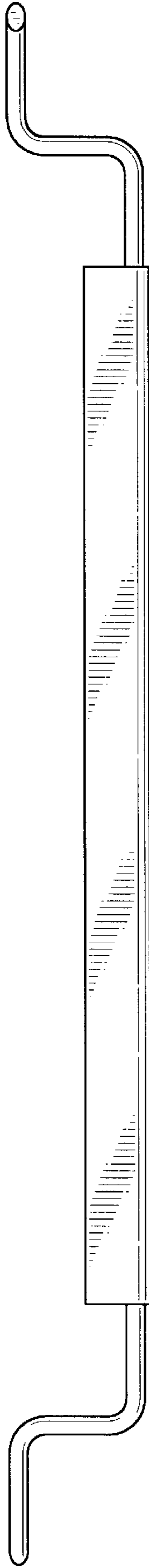


FIG-3

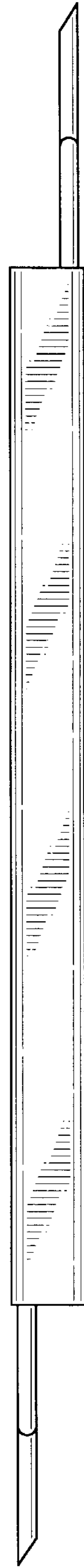


FIG-4

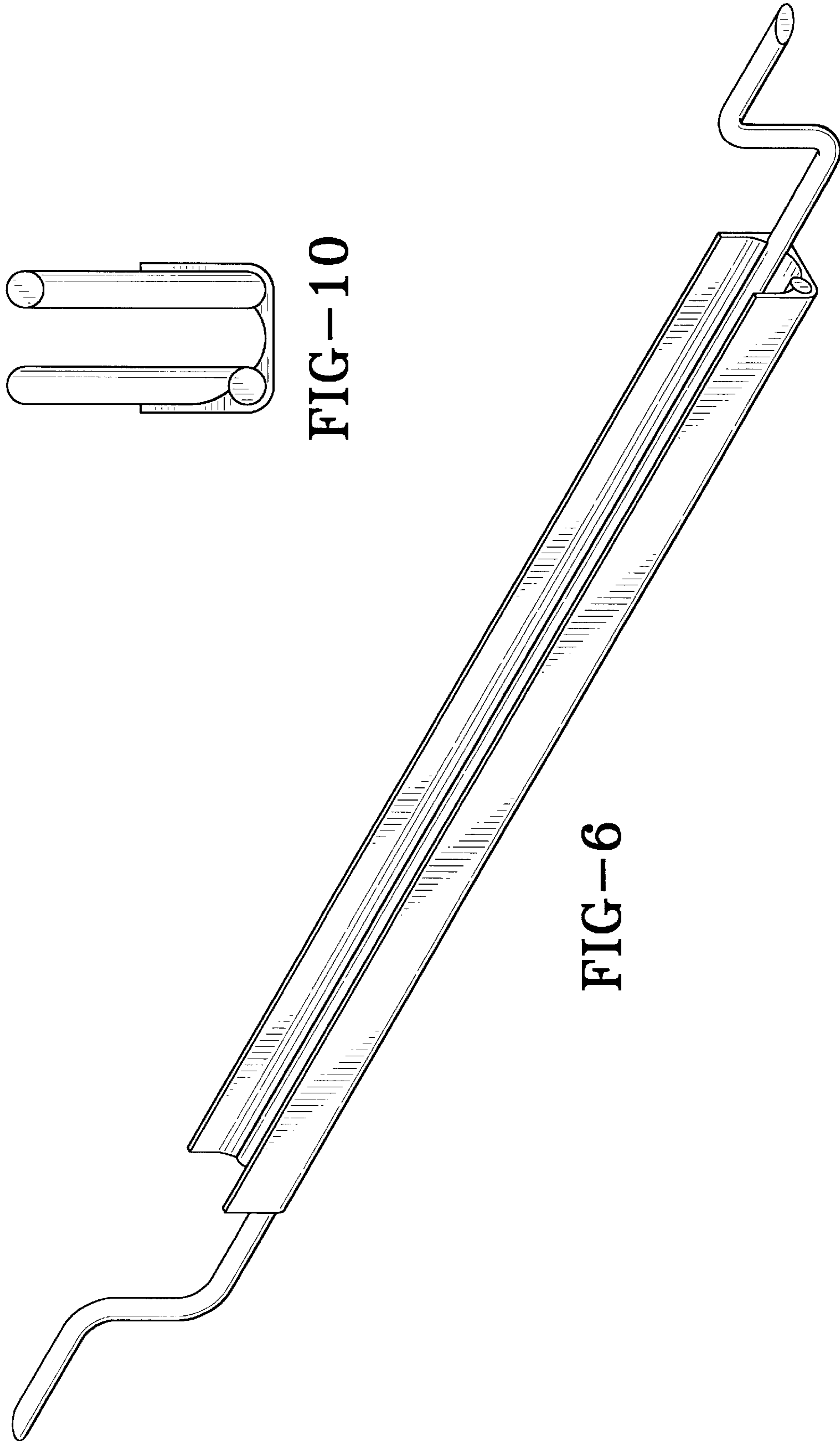


FIG-10

FIG-6



FIG-7

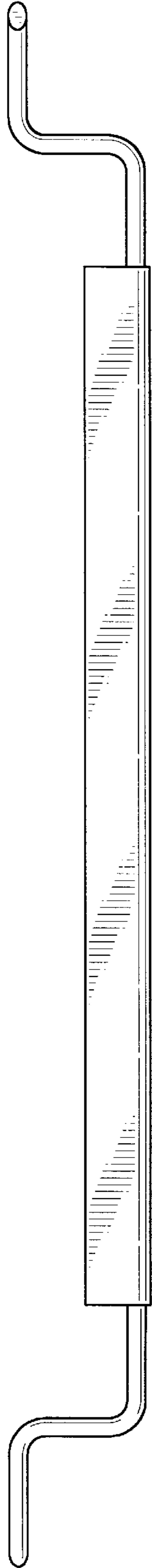


FIG-8

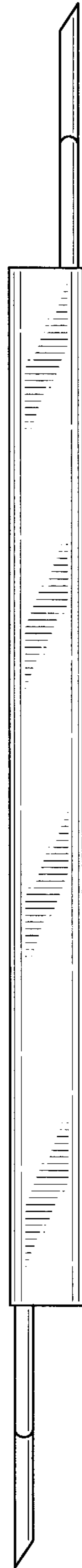


FIG-9