



US00D442059S

(12) **United States Design Patent**  
**Turner**

(10) **Patent No.:** **US D442,059 S**

(45) **Date of Patent:** **\*\* May 15, 2001**

(54) **PROTECTIVE COVER FOR A PADLOCK**

(76) Inventor: **Lance Turner**, P.O. Box 11073, Marina  
Del Rey, CA (US) 90292

(\*\*) Term: **14 Years**

(21) Appl. No.: **29/072,410**

(22) Filed: **Jun. 16, 1997**

**Related U.S. Application Data**

(62) Division of application No. 29/055,622, filed on Feb. 11,  
1997, now Pat. No. Des. 395,224, which is a division of  
application No. 29/042,437, filed on Aug. 10, 1995, now Pat.  
No. Des. 379,059.

(51) **LOC (7) Cl.** ..... **08-07**

(52) **U.S. Cl.** ..... **D8/346**

(58) **Field of Search** ..... D8/346, 330-331,  
D8/343, 333, 334; 70/14, 20, 23, 51, 52,  
54, 56, 443, 448

(56) **References Cited**

**U.S. PATENT DOCUMENTS**

D. 243,150 \* 1/1977 Dykes ..... D8/346

D. 292,869 \* 11/1987 Lebrecht ..... D8/346

D. 326,600 \* 6/1992 Heald ..... D8/346

3,453,758 \* 7/1969 Soref et al. .... 70/55 X

4,317,344 \* 3/1982 Barnard ..... 70/55 X

\* cited by examiner

*Primary Examiner*—Brian N. Vinson

(74) *Attorney, Agent, or Firm*—Lance Turner

(57) **CLAIM**

The ornamental design for a protective cover for a padlock,  
as shown and described.

**DESCRIPTION**

FIG. 1 is a perspective view of a protective cover for a  
padlock showing my new design, the broken-line disclosure  
of a padlock being for illustrative purposes only and forming  
no part of the claimed design;

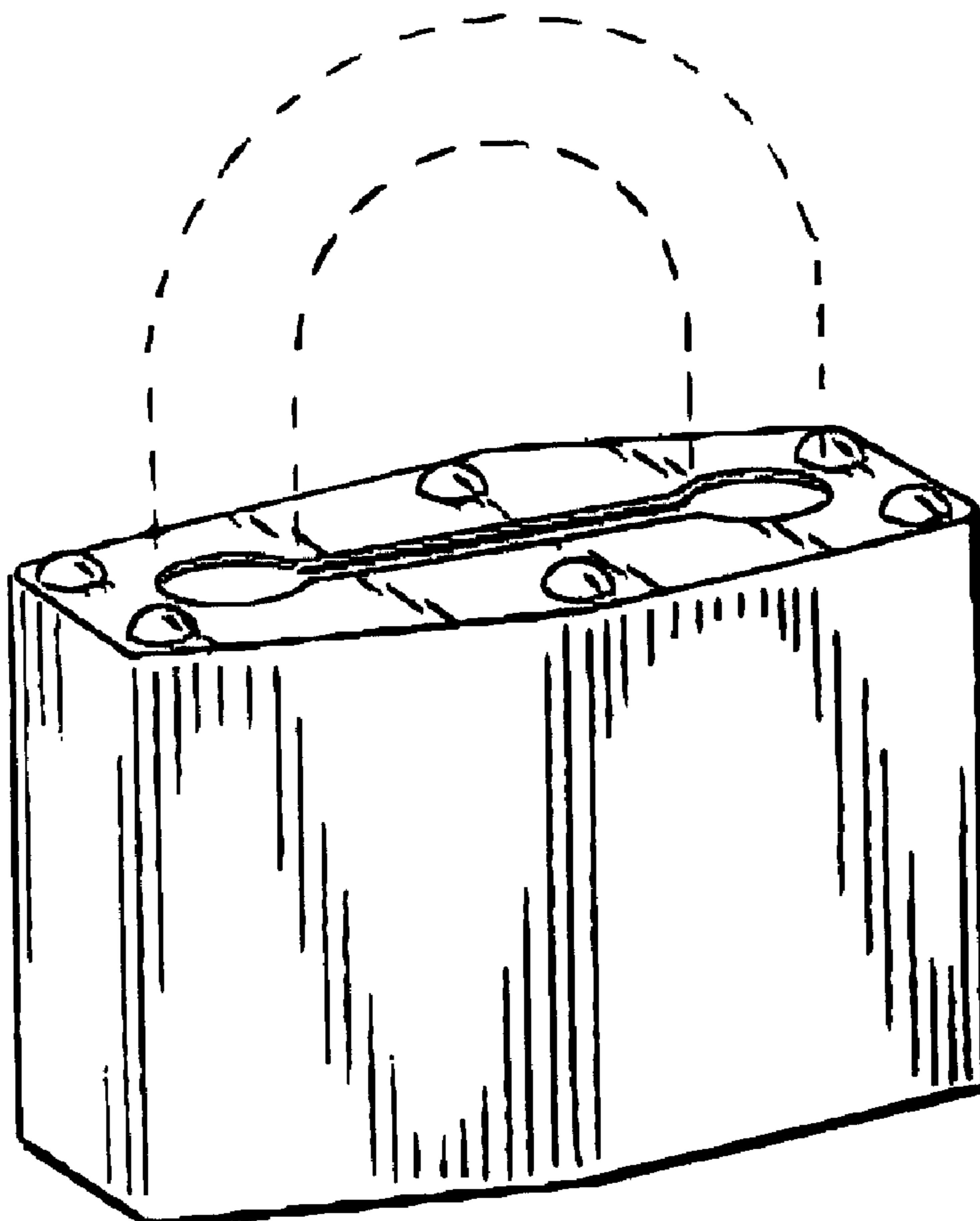
FIG. 2 is a front elevational view with the rear elevational  
view being a mirror image thereof;

FIG. 3 is a left side elevational view with the right side  
elevational view being a mirror image thereof;

FIG. 4 is a top plan view thereof; and,

FIG. 5 is a bottom plan view thereof.

**1 Claim, 1 Drawing Sheet**



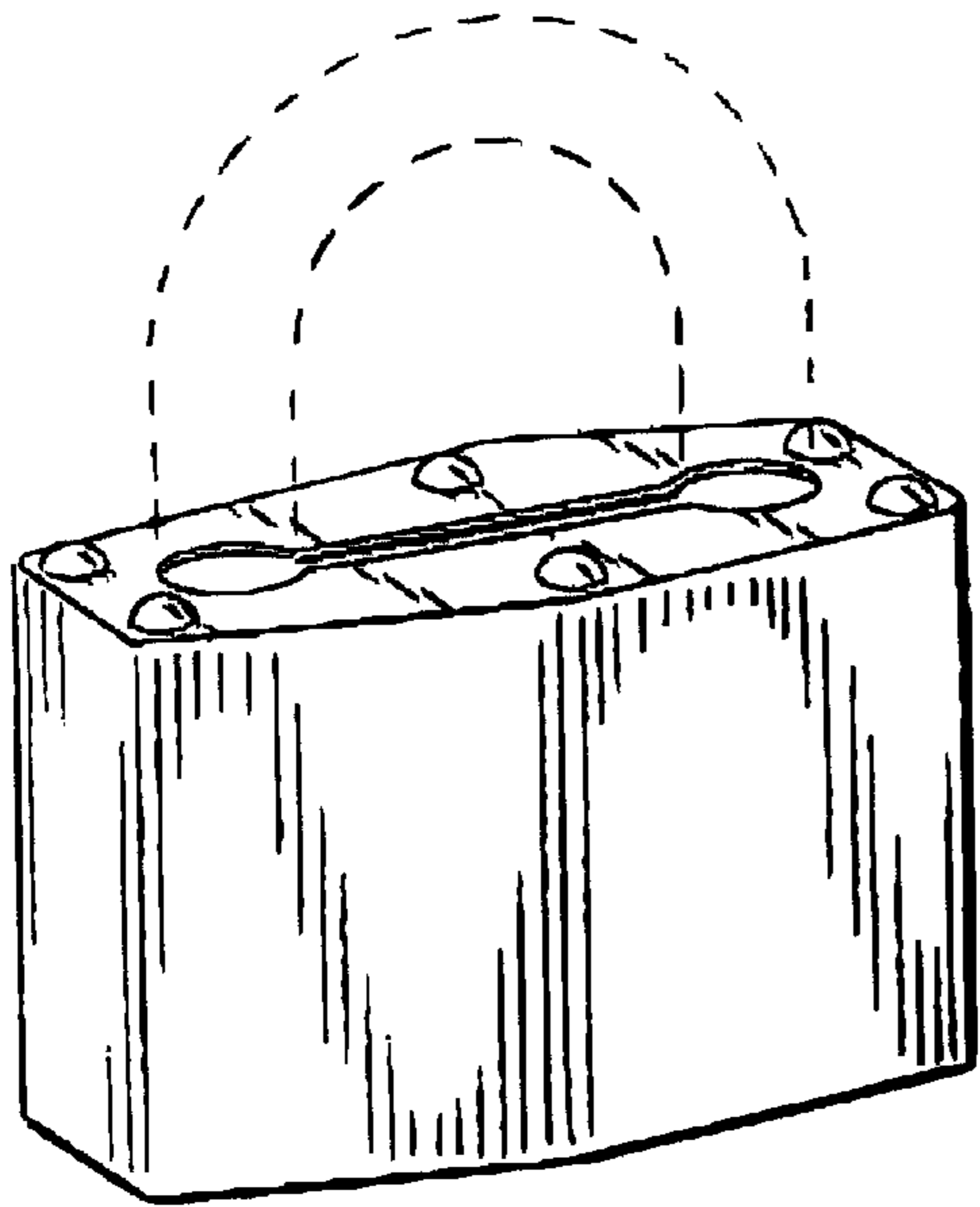


FIG. 1

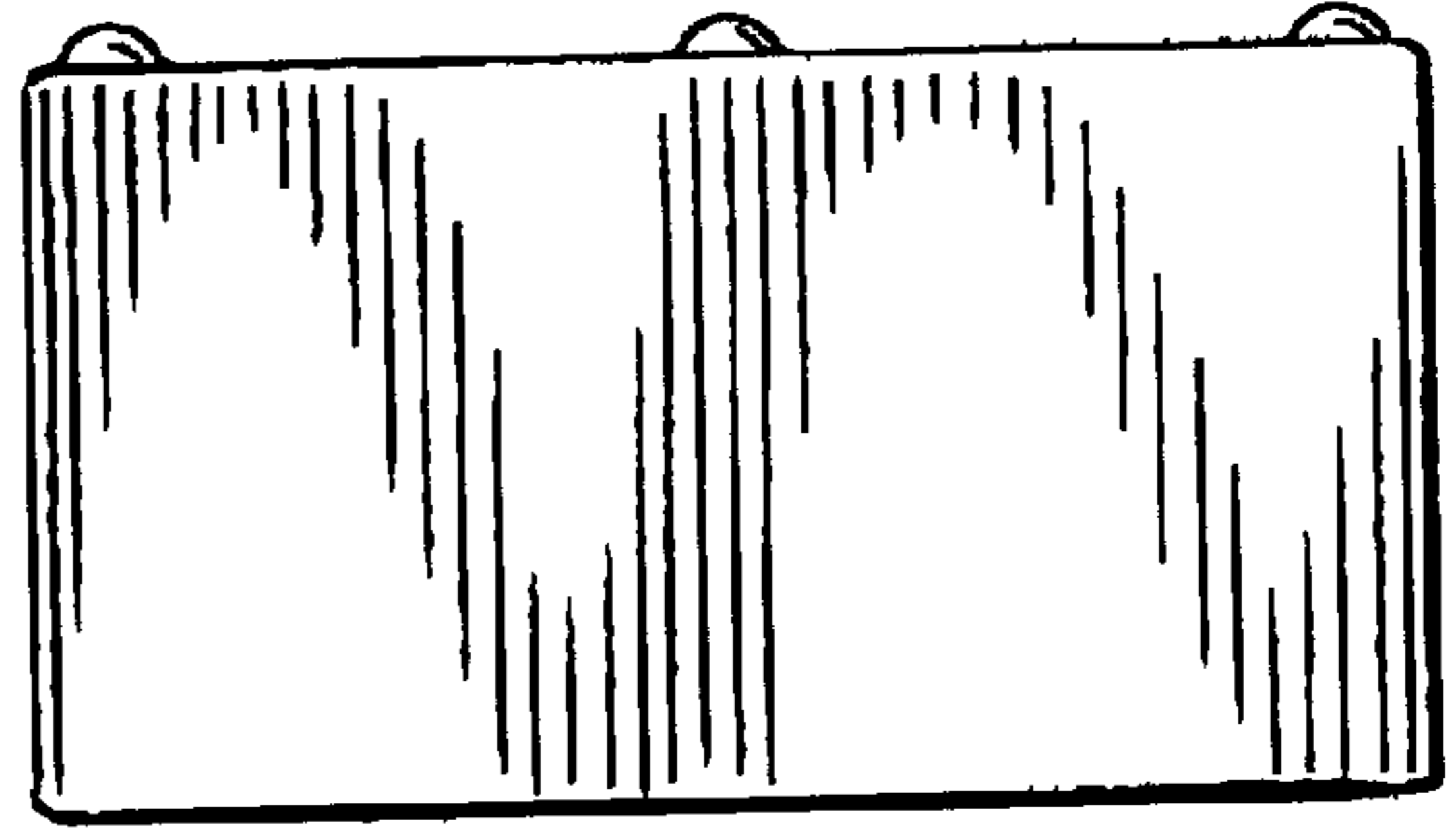


FIG. 2



FIG. 3

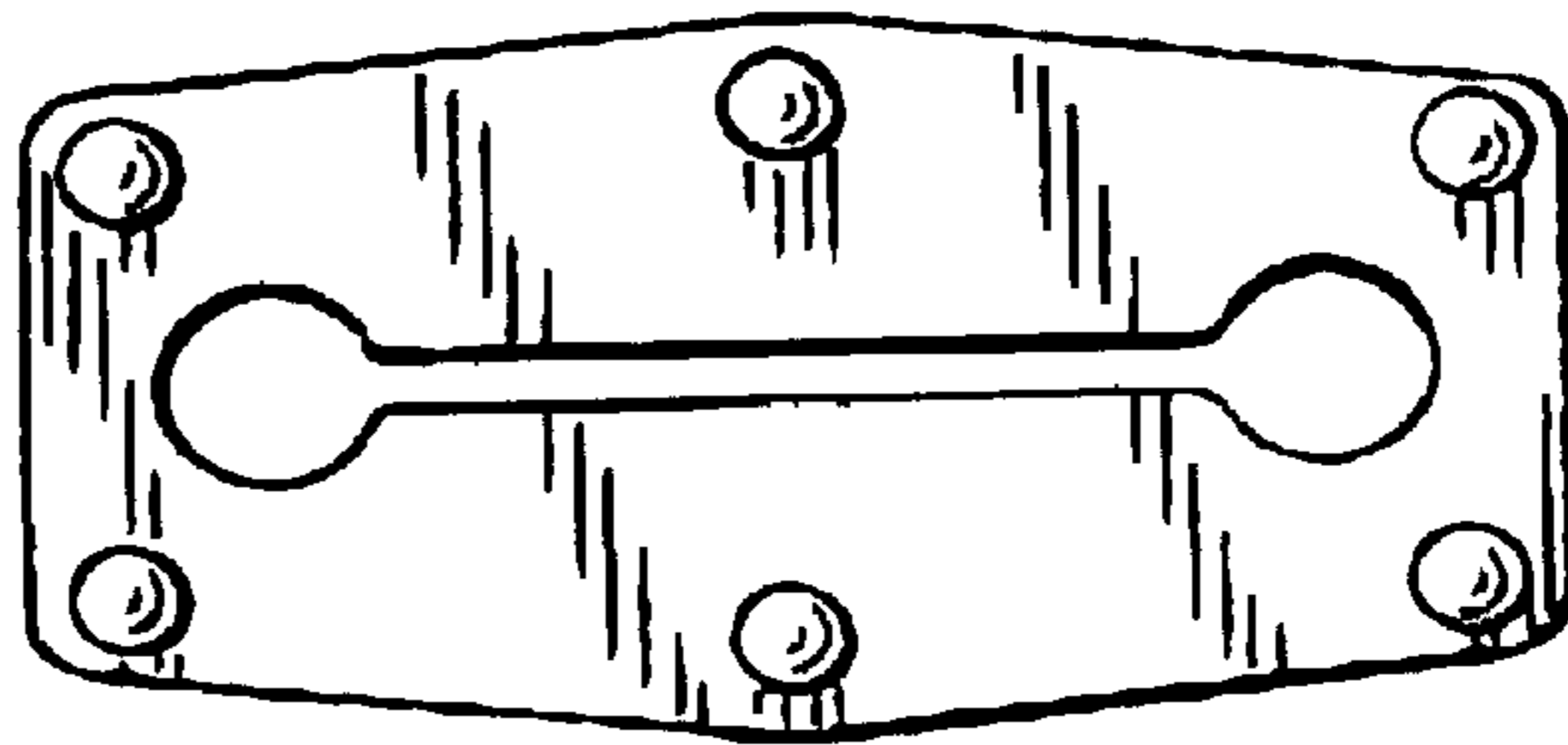


FIG. 4

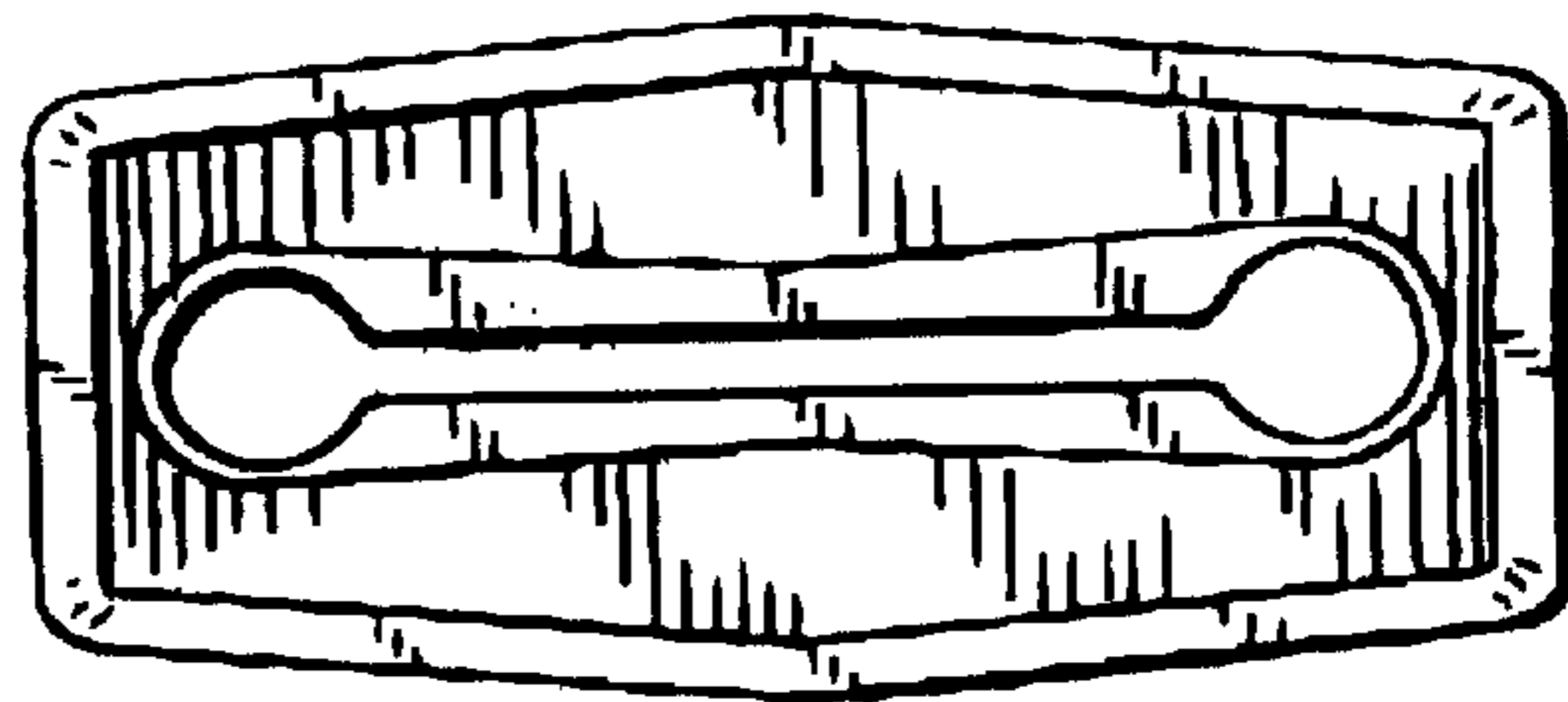


FIG. 5