



US00D442057S

(12) **United States Design Patent**  
**Chen**

(10) **Patent No.:** **US D442,057 S**

(45) **Date of Patent:** **\*\* May 15, 2001**

(54) **LOCK BODY FOR AUTOMOBILE**

B1 5,992,187 \* 11/1999 Derman ..... 70/30 X

(76) Inventor: **Tian-Yuan Chen**, P.O. Box 90, Tainan City (TW)

\* cited by examiner

(\*\*) Term: **14 Years**

*Primary Examiner*—Susan J. Lucas  
*Assistant Examiner*—Jennifer Rivard

(21) Appl. No.: **29/122,458**

(57) **CLAIM**

(22) Filed: **Apr. 28, 2000**

The ornamental design for a lock body for automobile, as shown and described.

(51) **LOC (7) Cl.** ..... **08-07**

**DESCRIPTION**

(52) **U.S. Cl.** ..... **D8/330**

(58) **Field of Search** ..... D8/330, 331, 341, D8/343; 70/14, 19, 31, 32, 34, 35, 211, 215, 228, 237, 346

FIG. 1 is a perspective view of a lock body for automobile showing my design;

FIG. 2 is a front elevational view thereof;

FIG. 3 is a rear elevational view thereof;

FIG. 4 is a left side elevational view thereof;

FIG. 5 is a right side elevational view thereof;

FIG. 6 is a top plan view thereof; and,

FIG. 7 is a bottom plan view thereof.

(56) **References Cited**

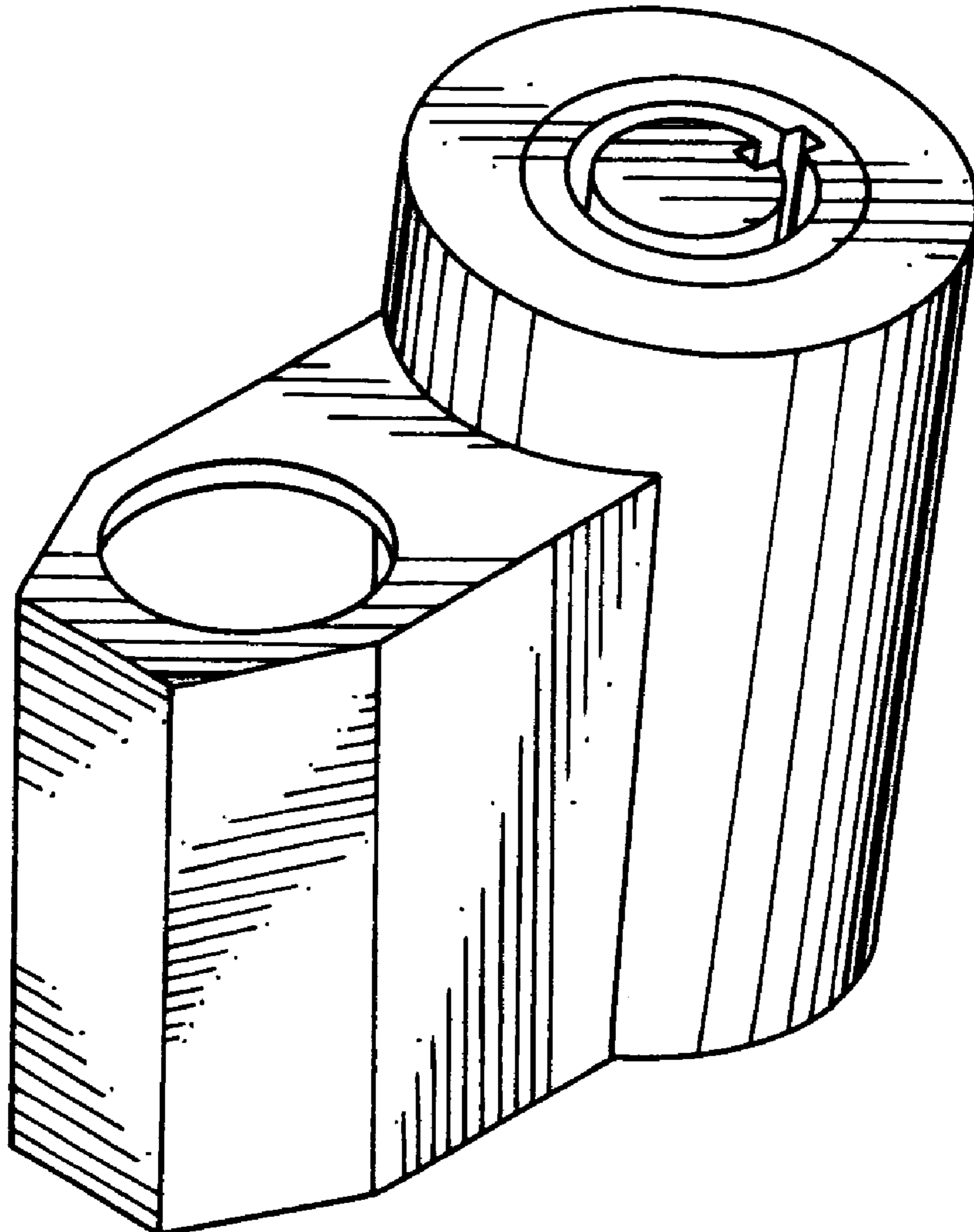
**U.S. PATENT DOCUMENTS**

B1 D. 295,

256 \* 4/1988 Wu ..... D8/330

B1 5,097,686 \* 3/1992 Plumer ..... 70/346 X

**1 Claim, 2 Drawing Sheets**



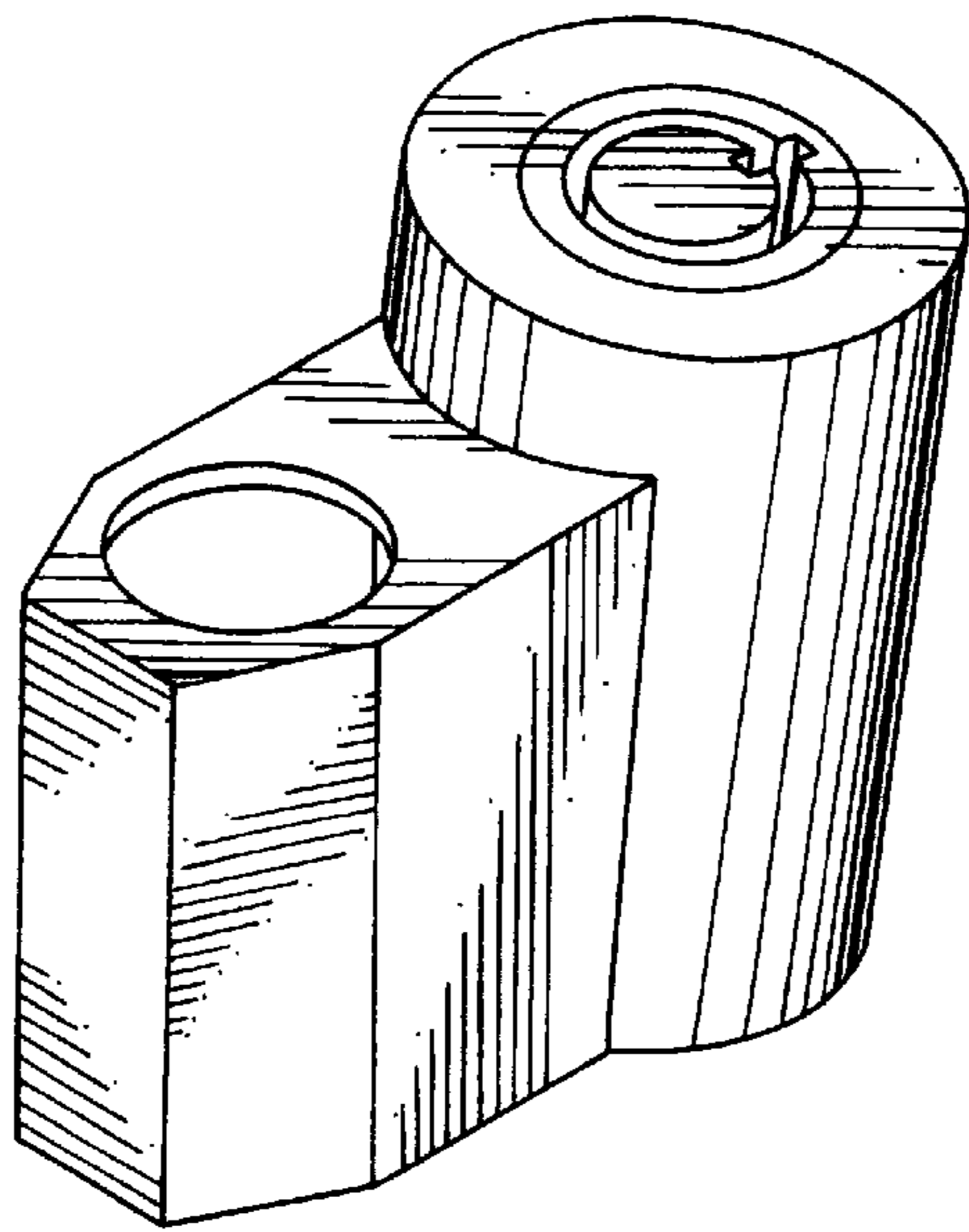


FIG. 1

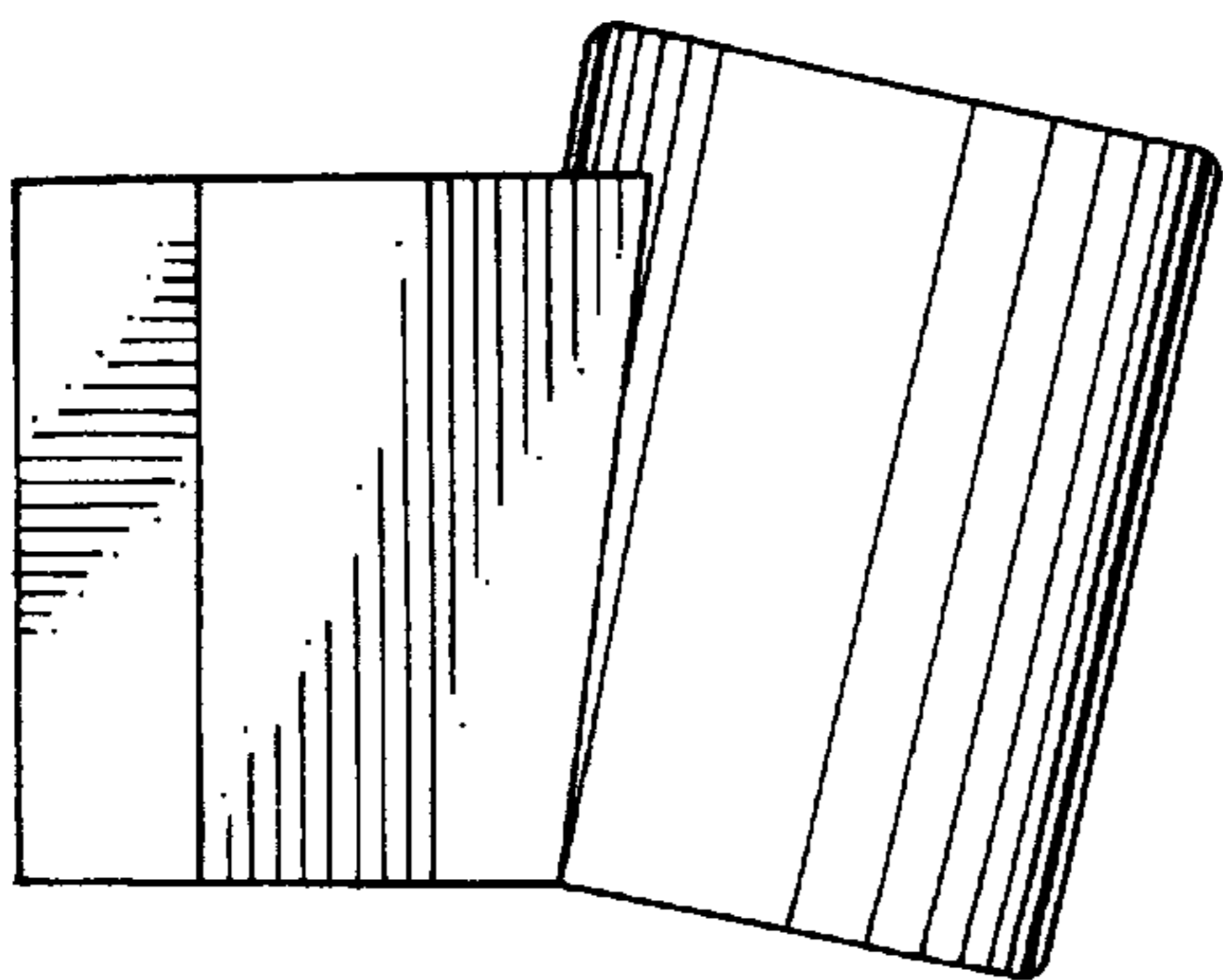


FIG. 2

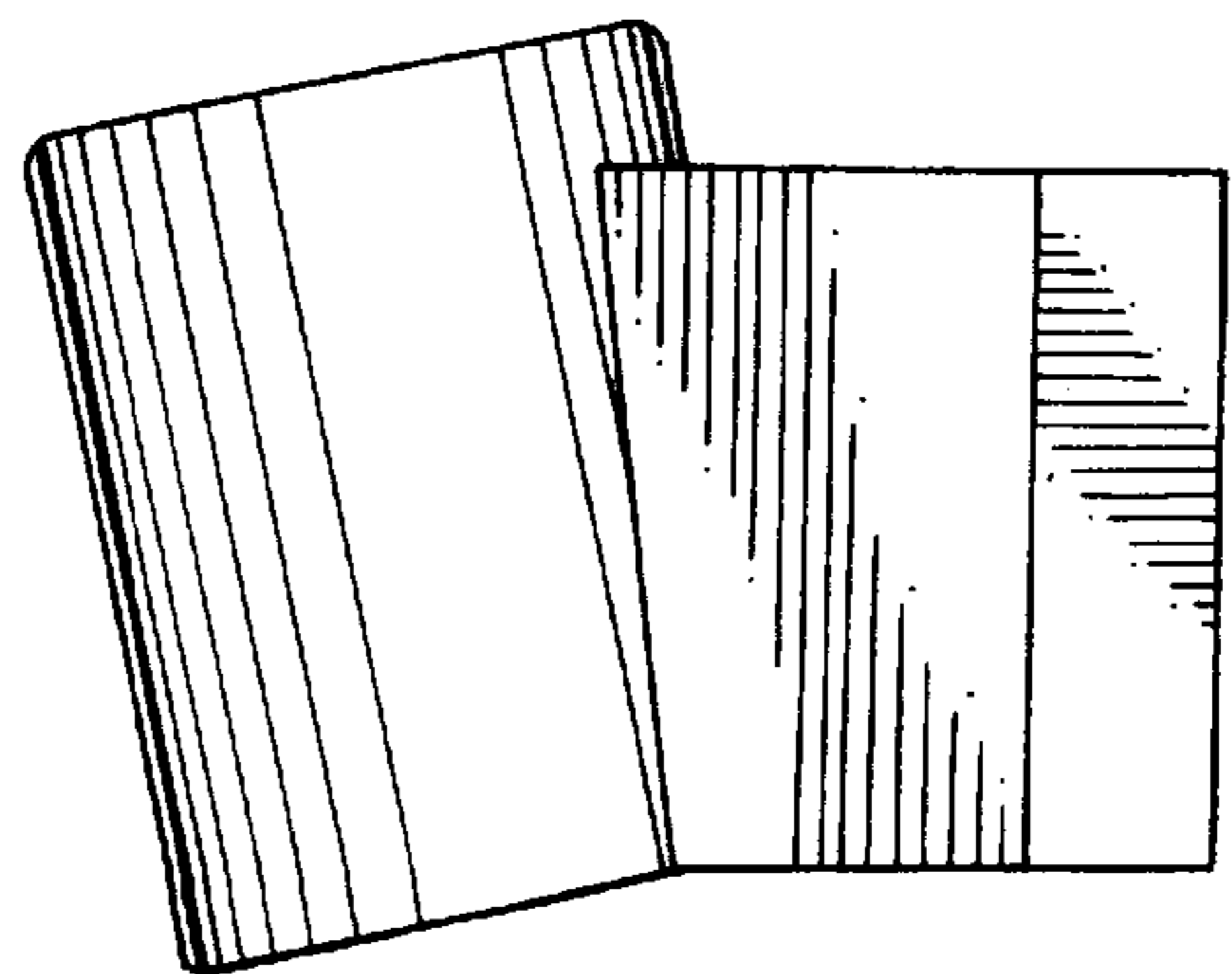


FIG. 3

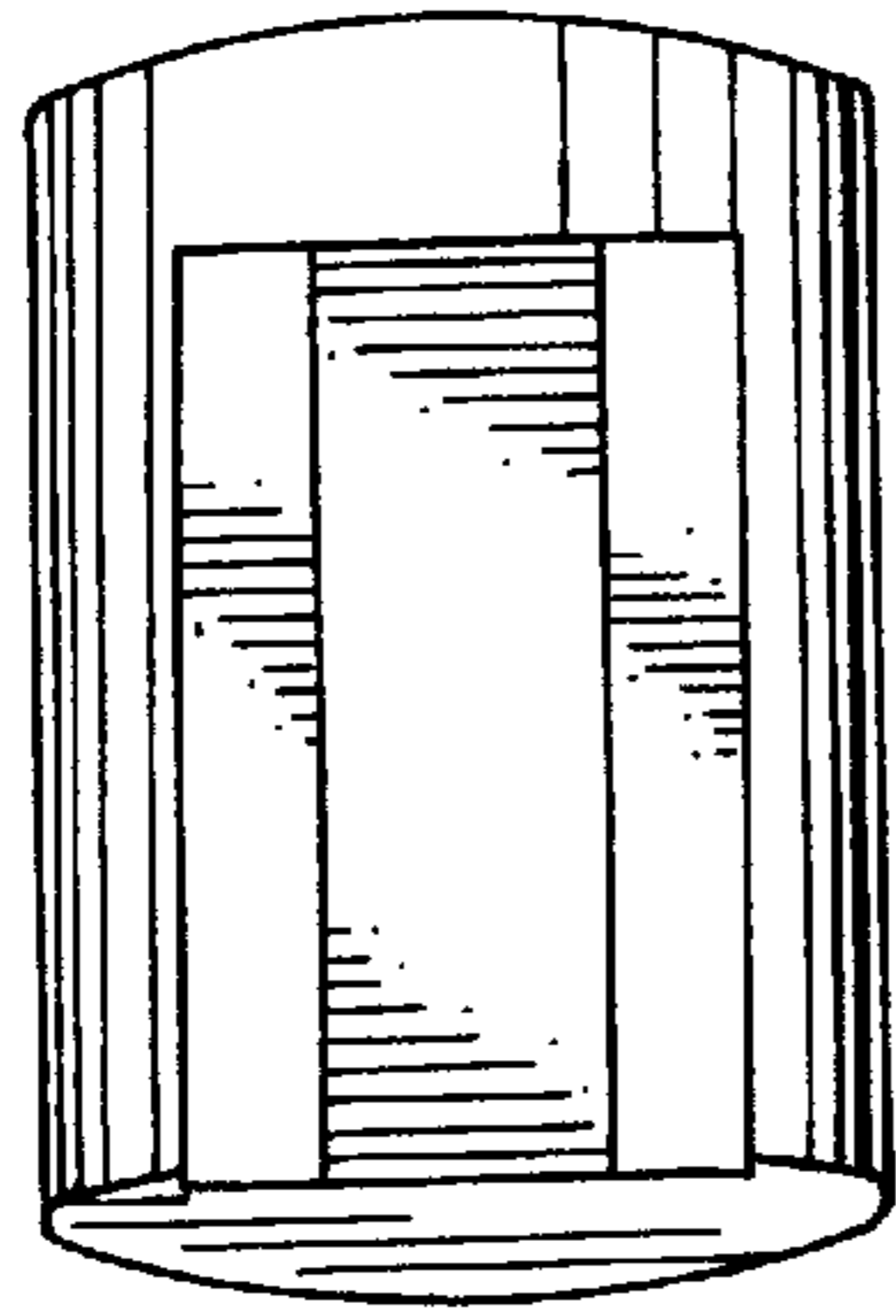


FIG. 4

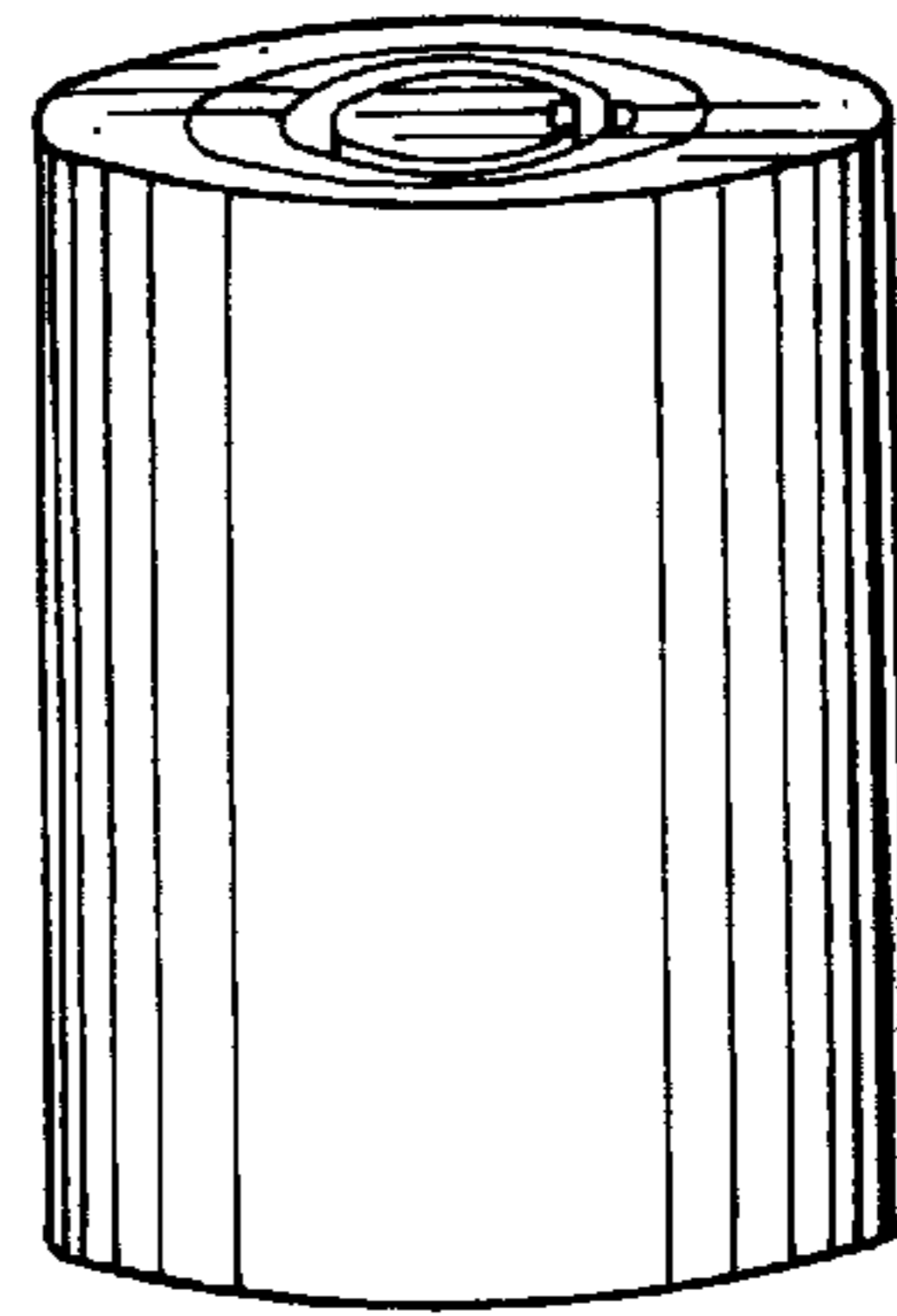


FIG. 5

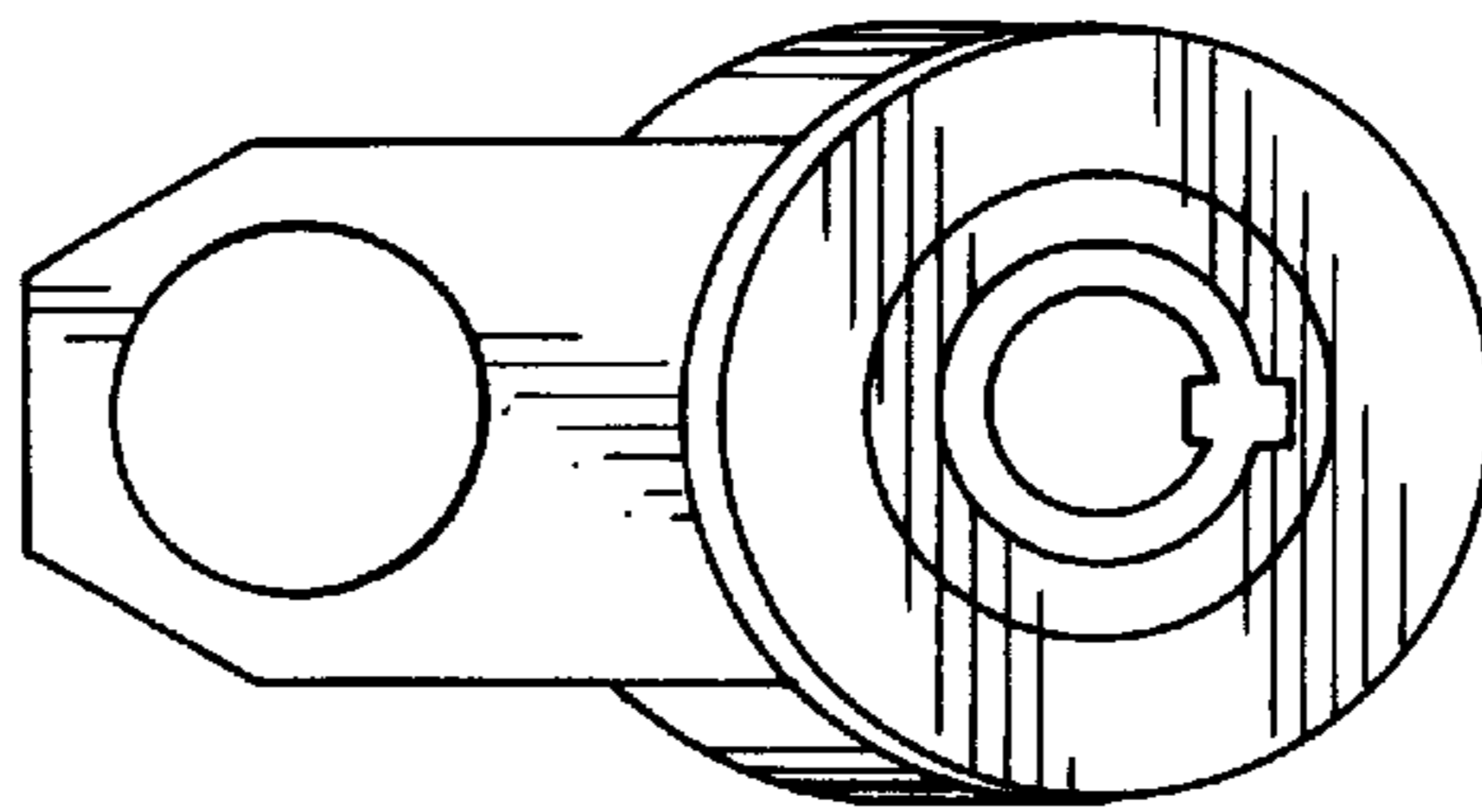


FIG. 6

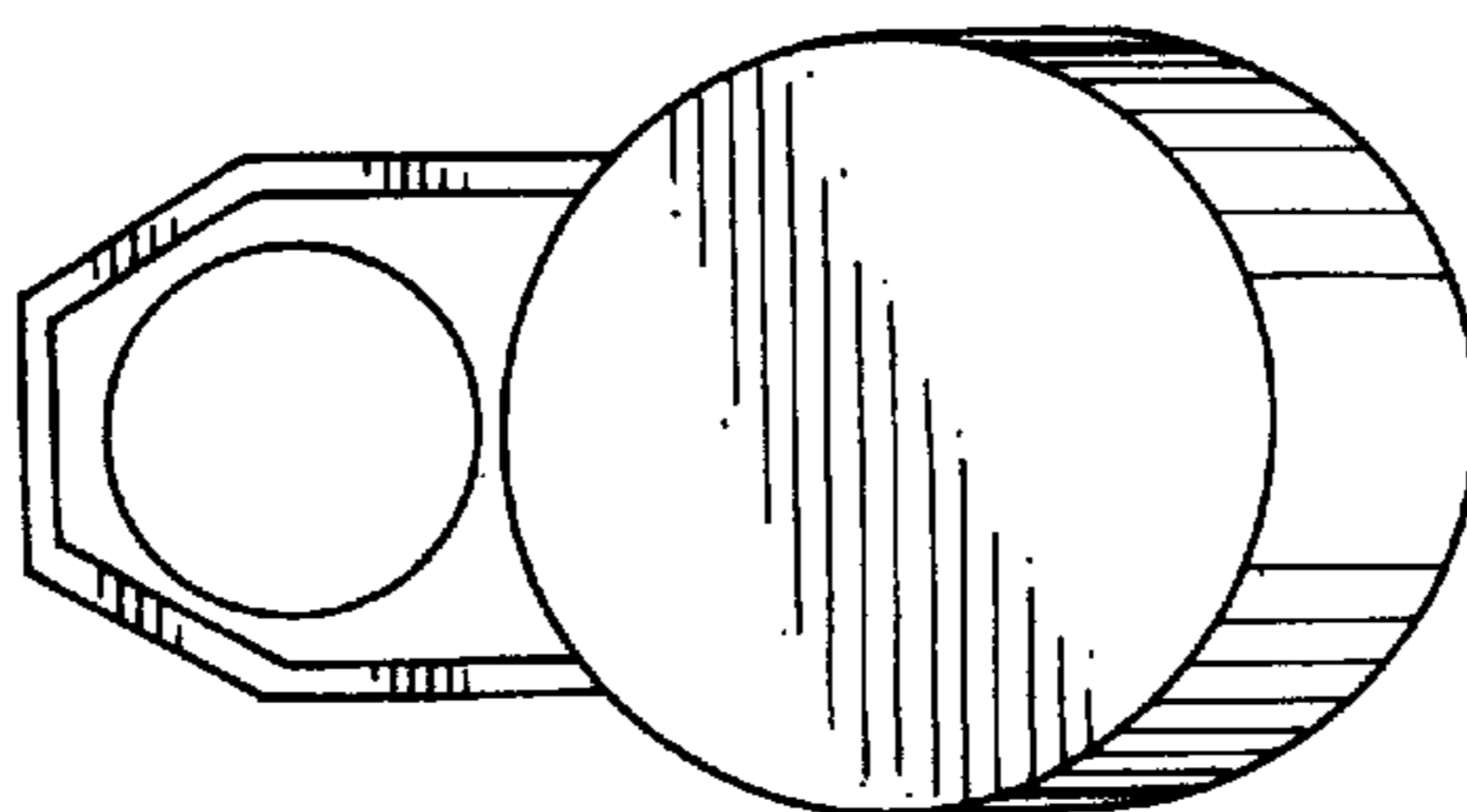


FIG. 7