



US00D442056S

(12) **United States Design Patent**  
**Duggan**

(10) **Patent No.:** **US D442,056 S**

(45) **Date of Patent:** **\*\* May 15, 2001**

(54) **ROBE HOOK**

(75) Inventor: **Michael P. Duggan**, Brookside, NJ  
(US)

(73) Assignee: **Melard Manufacturing Corp.**, Passaic,  
NJ (US)

(\*\*) Term: **14 Years**

(21) Appl. No.: **29/106,844**

(22) Filed: **Jun. 22, 1999**

(51) **LOC (7) Cl.** ..... **06-08**

(52) **U.S. Cl.** ..... **D8/323; D8/372**

(58) **Field of Search** ..... D6/320, 323, 566,  
D6/563, 567, 569; D8/367, 370, 372; 248/301,  
303, 304; 211/87.01, 350

(56) **References Cited**

**U.S. PATENT DOCUMENTS**

- D. 288,291 \* 2/1987 Angle ..... D8/350
- D. 304,655 \* 11/1989 Pool ..... D6/323
- D. 353,492 \* 12/1994 Goodman et al. .... D6/323

D. 355,842 \* 2/1995 Goodman et al. .... D8/372

1,696,753 \* 12/1928 Clarke .

5,967,476 \* 10/1999 Chen ..... 248/304

\* cited by examiner

*Primary Examiner*—B. J. Bullock

(74) *Attorney, Agent, or Firm*—Edgar A. Zarins; Lloyd D. Doigan

(57) **CLAIM**

The ornamental design for a robe hook, as shown and described.

**DESCRIPTION**

FIG. 1 is a perspective view of a robe hook showing my new design;

FIG. 2 is a front elevational view thereof;

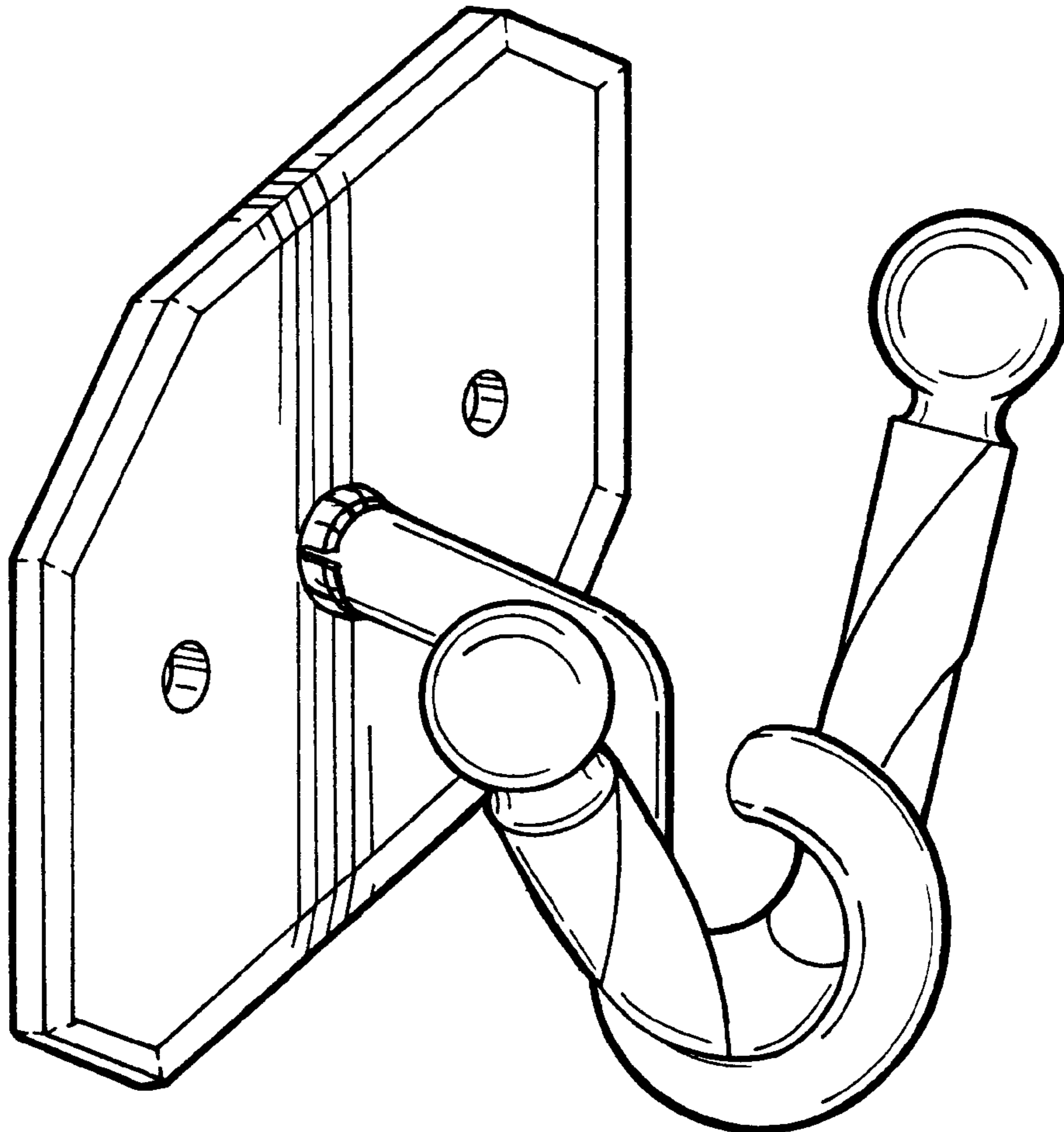
FIG. 3 is a rear elevational view thereof;

FIG. 4 is a left side view thereof, the opposite side being a mirror image of the side shown;

FIG. 5 is a top plan view thereof; and,

FIG. 6 is a bottom plan view thereof.

**1 Claim, 3 Drawing Sheets**



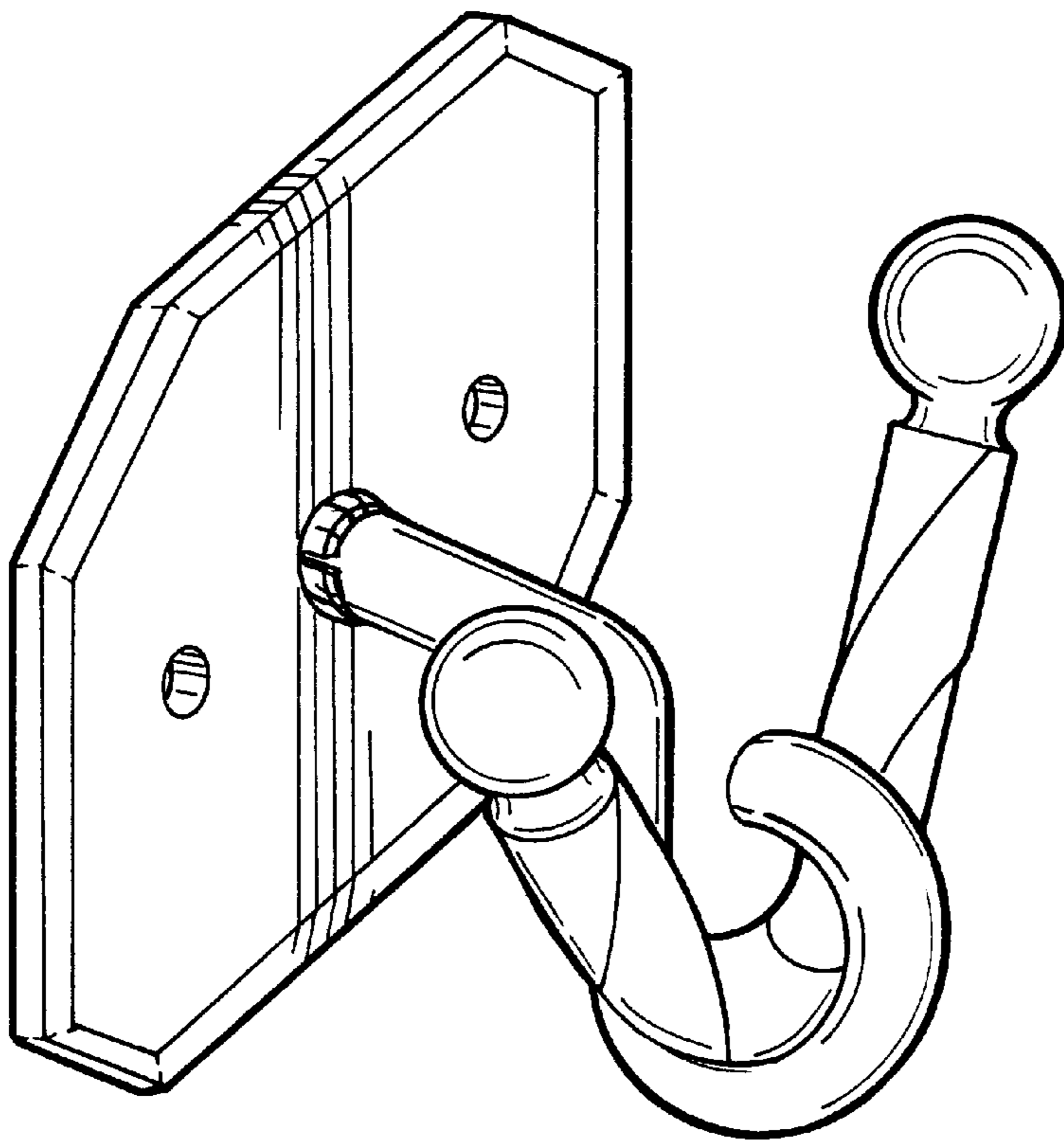


Fig-1

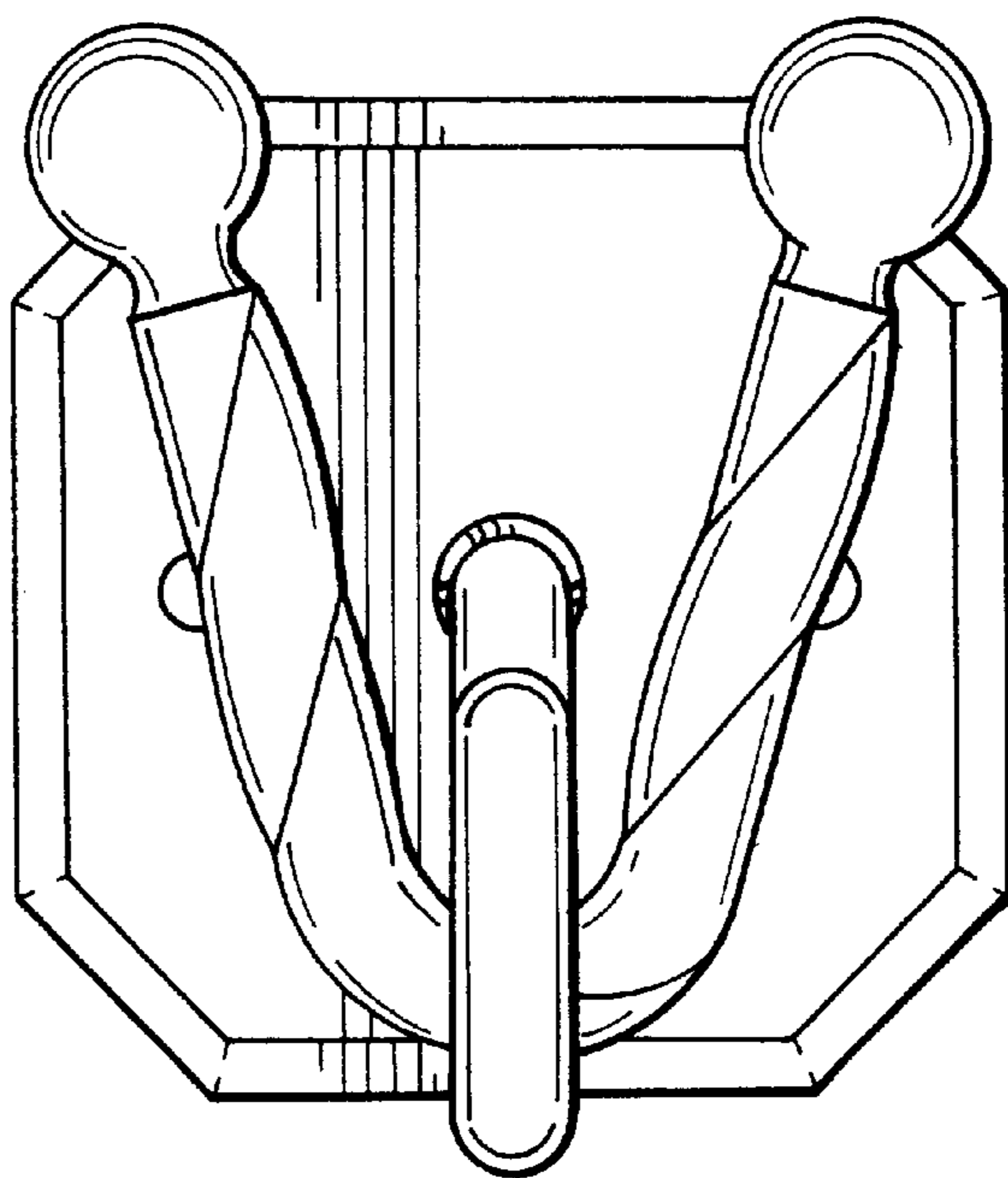


Fig-2

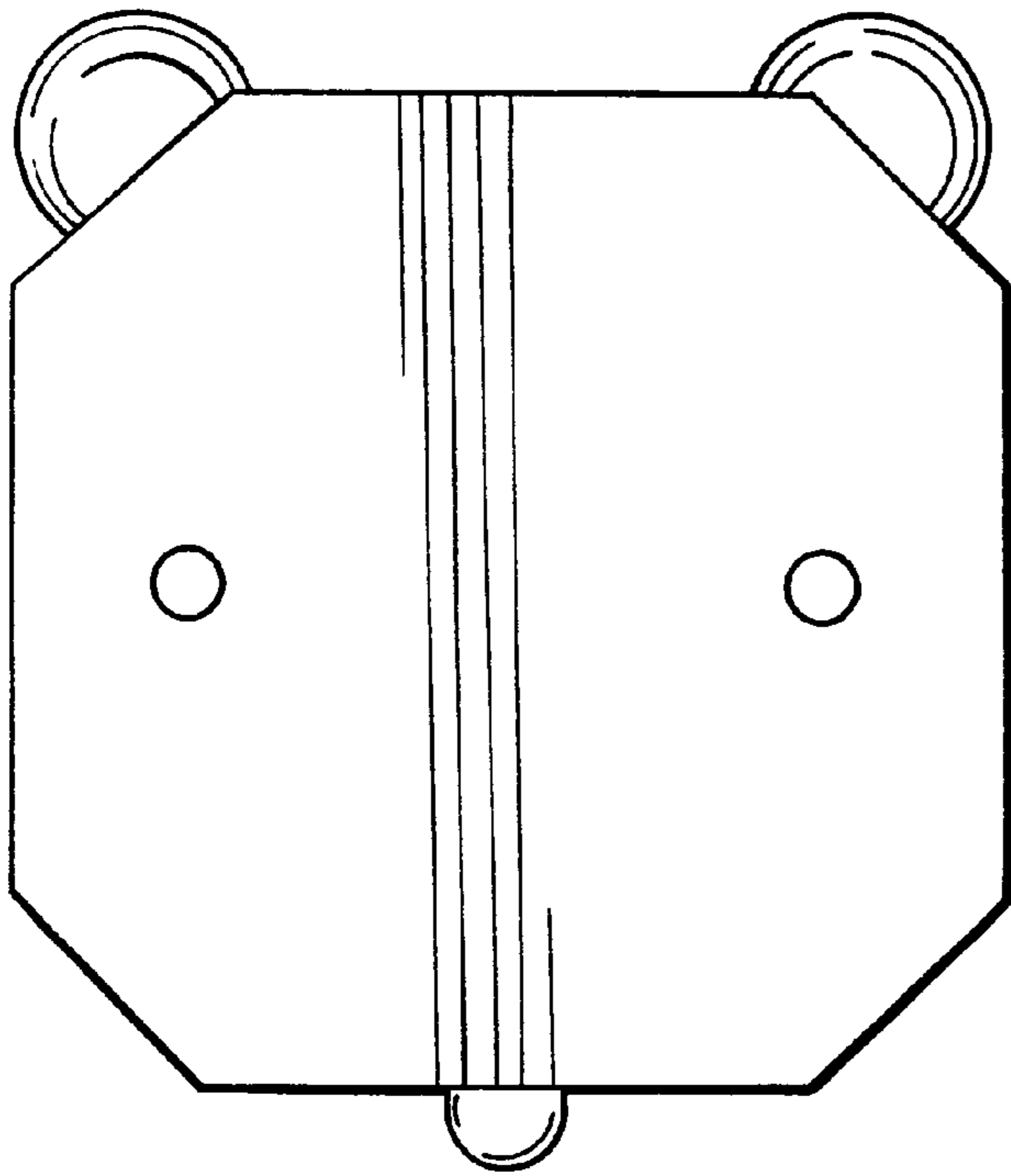
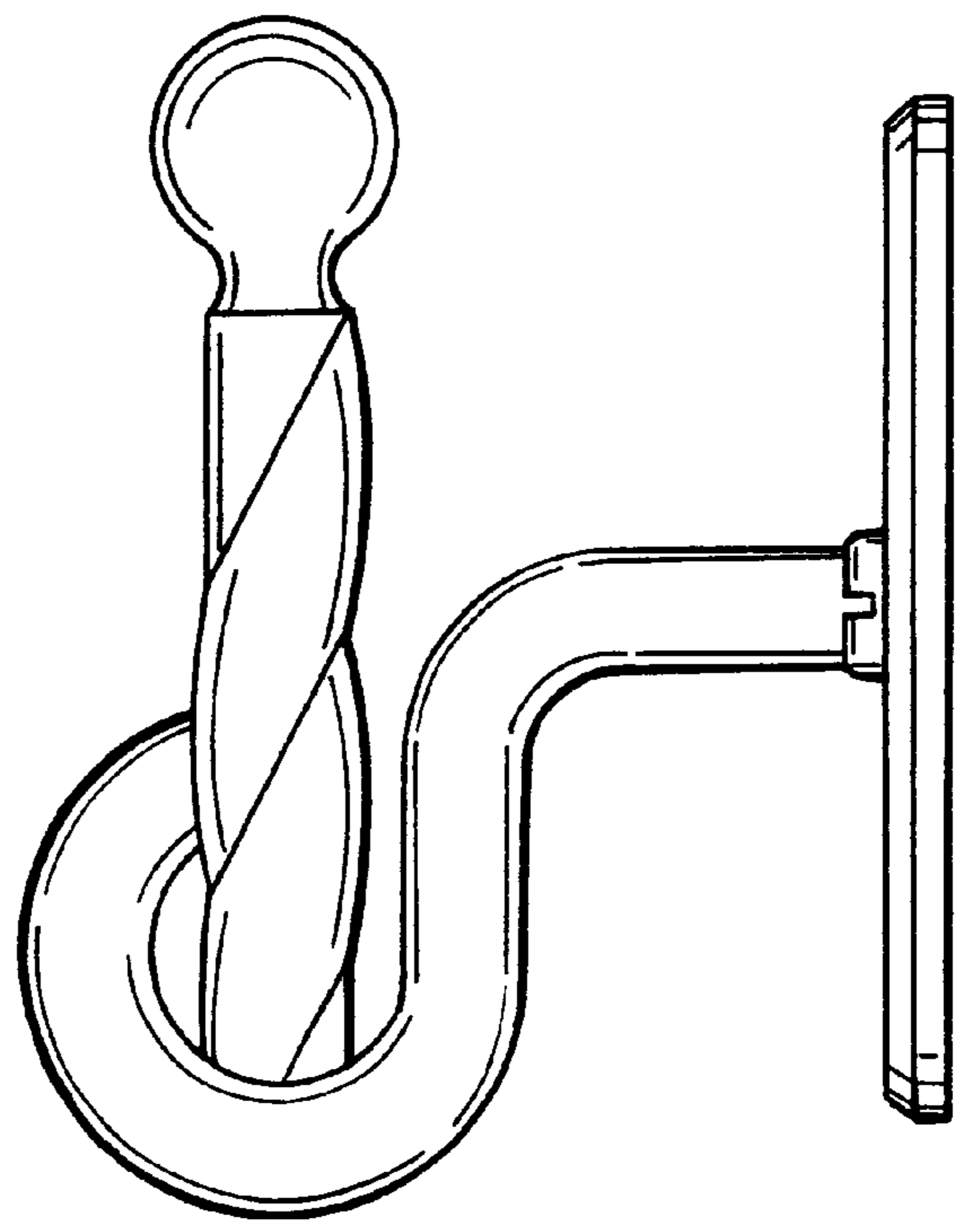


Fig-3

Fig-4



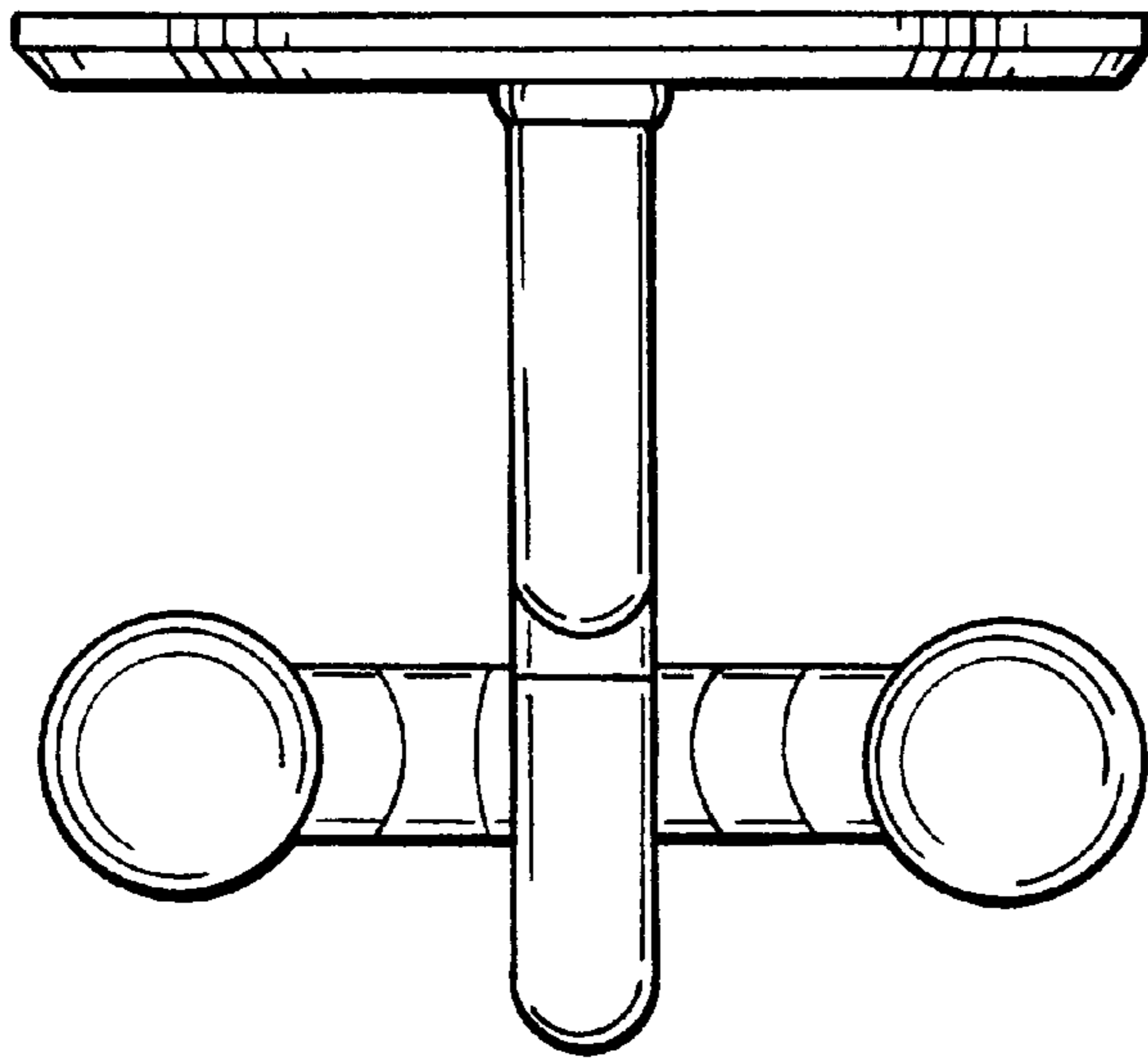


Fig-5

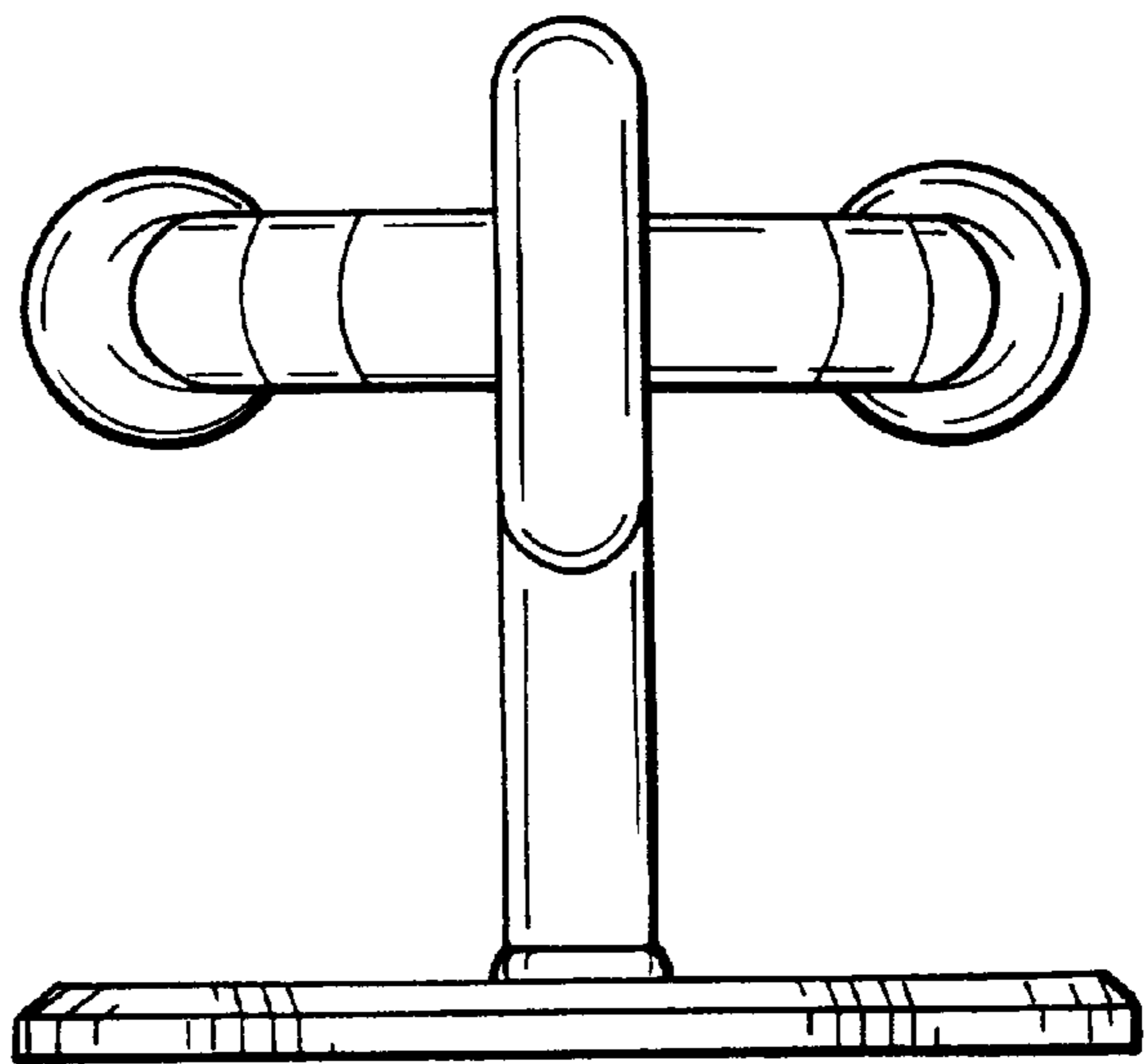


Fig-6