



US00D442052S

(12) **United States Design Patent**
Glesser

(10) **Patent No.:** **US D442,052 S**

(45) **Date of Patent:** **** May 15, 2001**

(54) **PIVOTING BLADE SHARPENING APPARATUS**

(75) Inventor: **Louis S. Glesser**, Golden, CO (US)

(73) Assignee: **Spyderco, Inc.**, Golden, CO (US)

(**) Term: **14 Years**

(21) Appl. No.: **29/119,059**

(22) Filed: **Feb. 23, 2000**

(51) **LOC (7) Cl.** **08-05**

(52) **U.S. Cl.** **D8/91; D8/93**

(58) **Field of Search** D8/90, 91, 92,
D8/93; 76/81, 82, 89.1; 451/369, 368, 540,
552, 558, 555

(56) **References Cited**

U.S. PATENT DOCUMENTS

D. 53,645	*	7/1919	Taylor	D8/91
D. 217,084	*	4/1970	Martin	D8/91
D. 285,042	*	8/1986	Sparks	D8/91
D. 375,441	*	11/1996	McCoy et al.	D8/93
D. 401,129	*	11/1998	Glesser	D8/91
4,759,153	*	7/1988	Cohen	76/82

5,426,999 * 6/1995 Seiler et al. 76/82

* cited by examiner

Primary Examiner—Philip S. Hyder

(74) *Attorney, Agent, or Firm*—Sheridan Ross P.C.

(57) **CLAIM**

The ornamental design for a pivoting blade sharpening apparatus, as shown and described.

DESCRIPTION

FIG. 1 is a front elevation view of a pivoting blade sharpening apparatus, showing my new design;

FIG. 2 is a left side elevation view of the invention illustrated in FIG. 1;

FIG. 3 is a rear elevation view of the invention illustrated in FIG. 1;

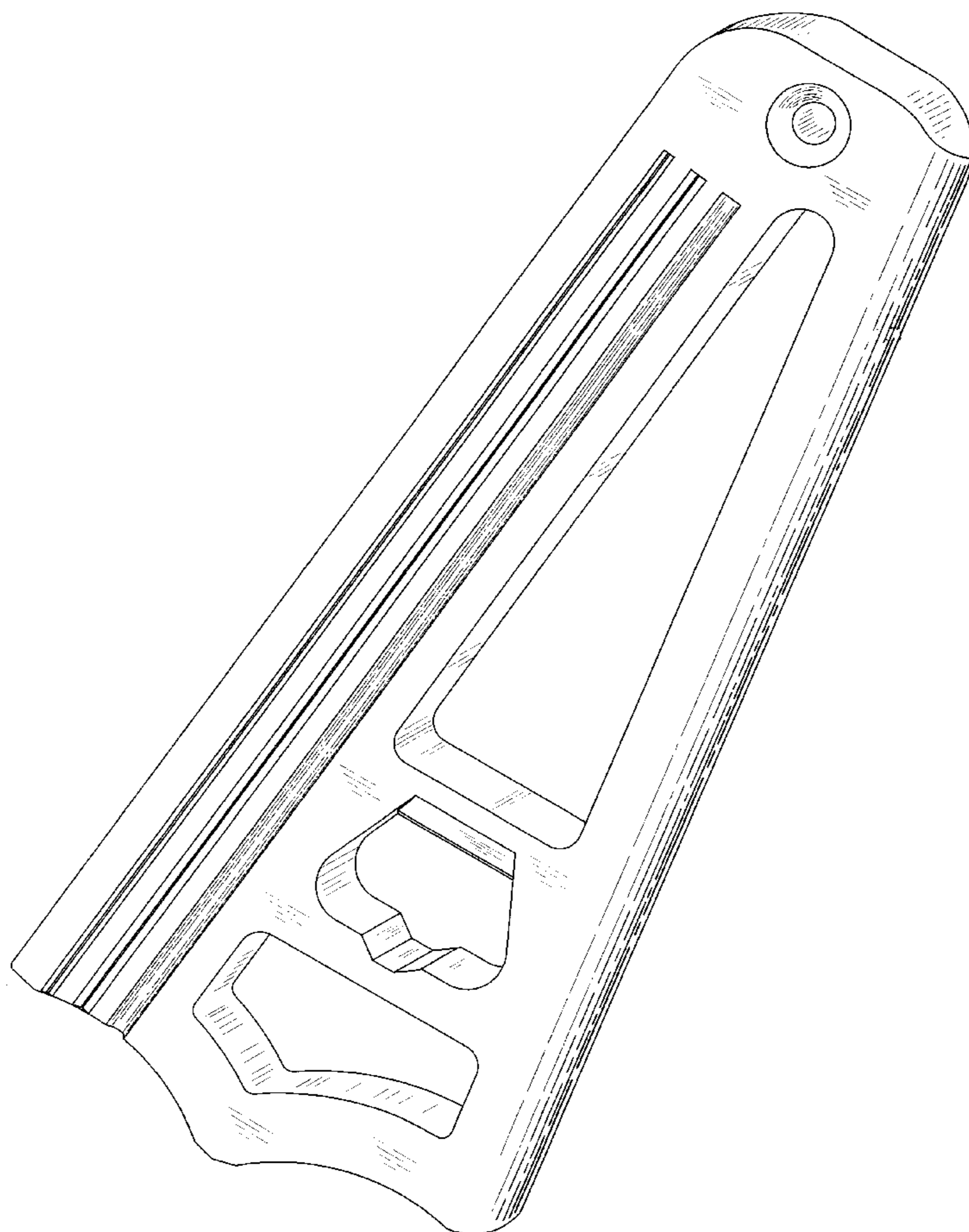
FIG. 4 is a right side elevation view of the invention illustrated in FIG. 1;

FIG. 5 is a top plan view of the invention illustrated in FIG. 1;

FIG. 6 is a bottom plan view of the invention illustrated in FIG. 1; and,

FIG. 7 is a front perspective view of the invention shown in FIG. 1.

1 Claim, 4 Drawing Sheets



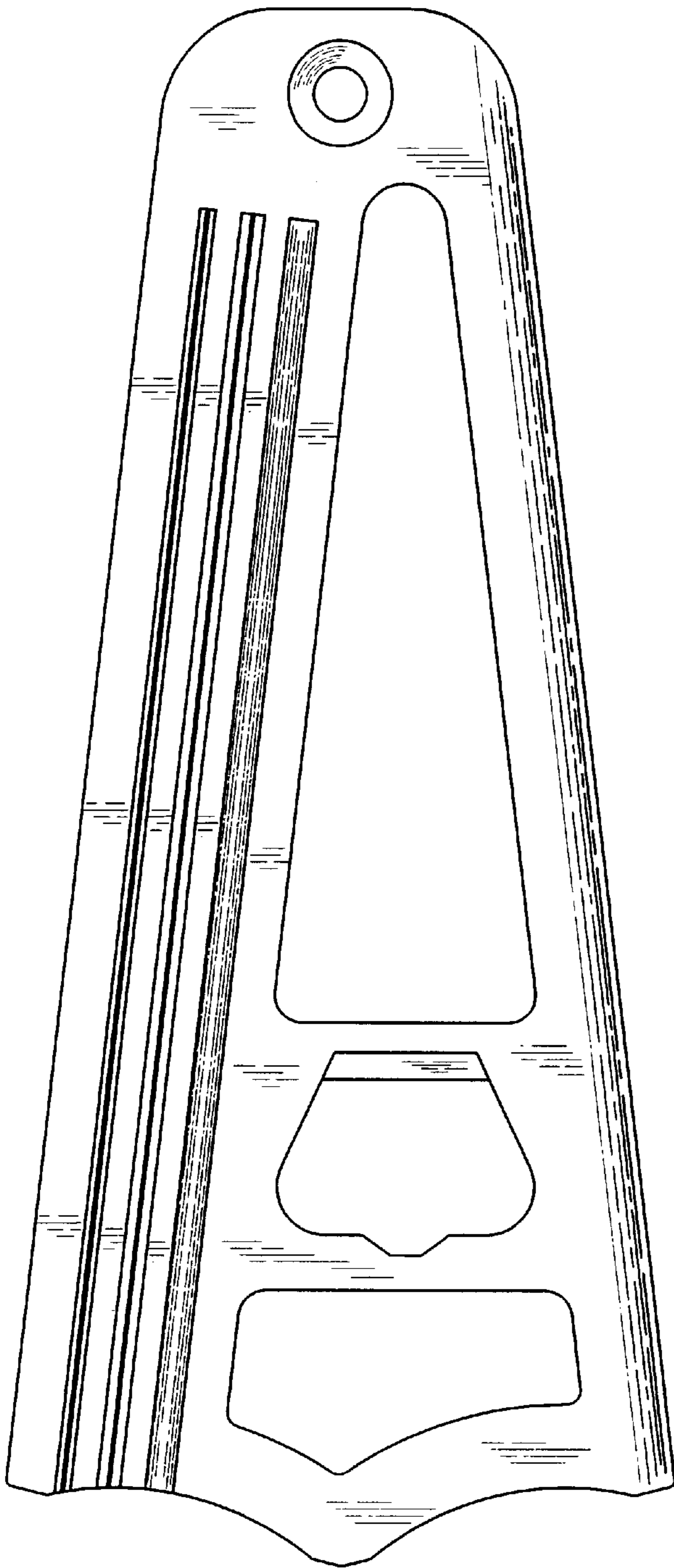


Fig. 1

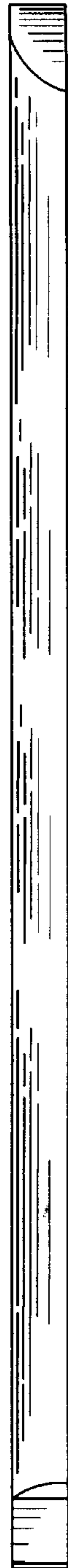


Fig. 2

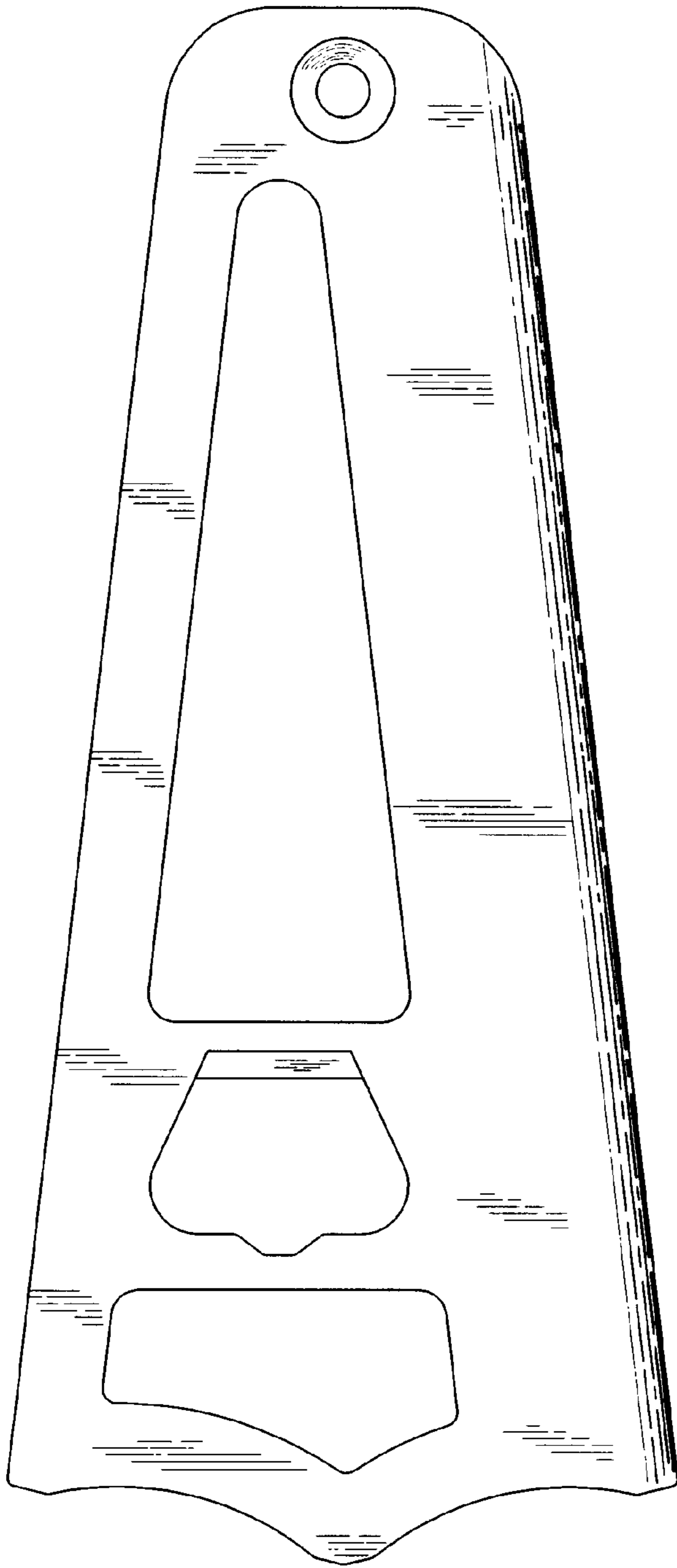


Fig. 3

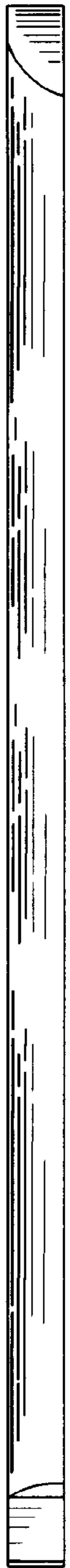


Fig. 4



Fig. 5



Fig. 6

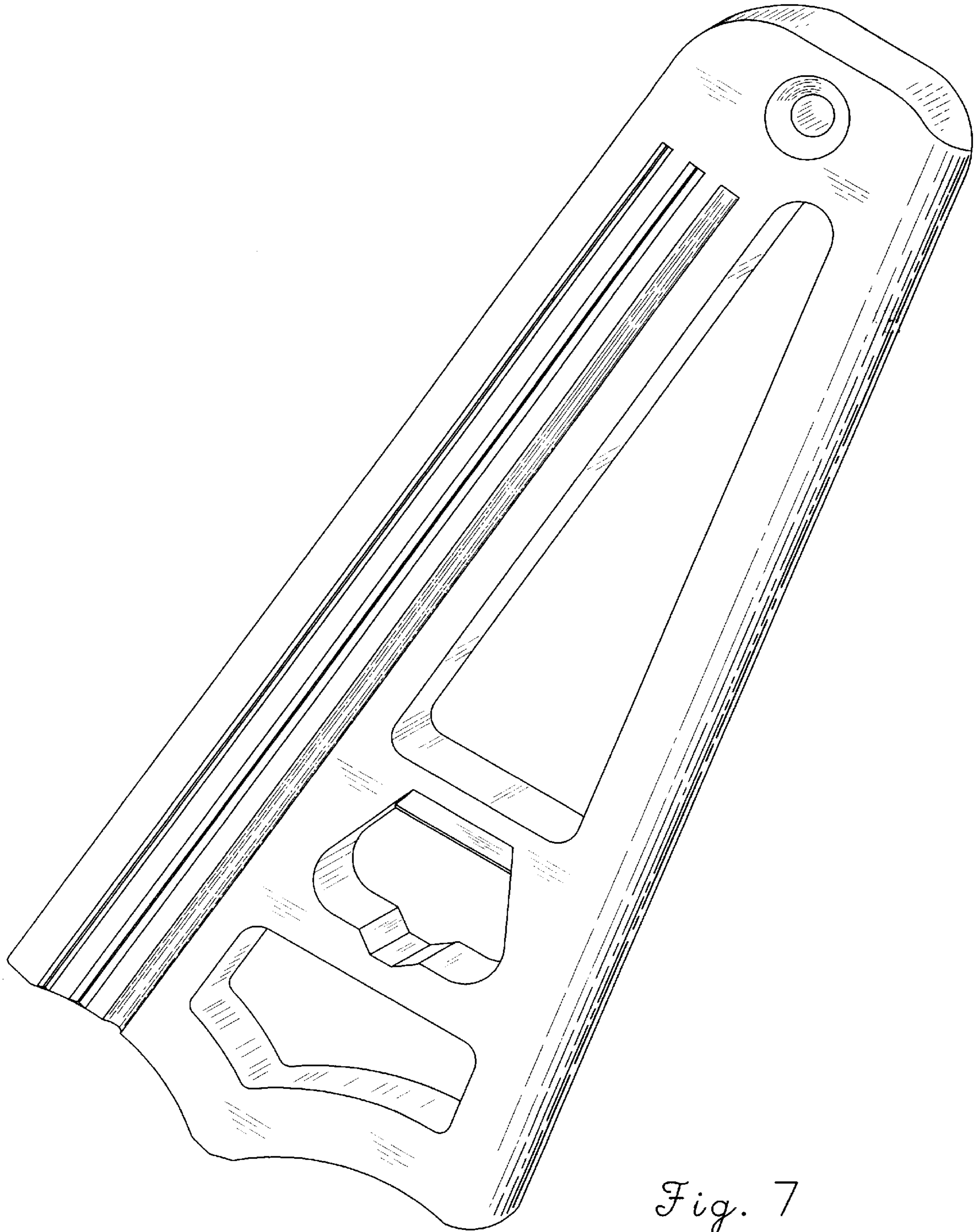


Fig. 7