



US00D442044S

(12) **United States Design Patent**
Juhlin et al.

(10) **Patent No.:** **US D442,044 S**

(45) **Date of Patent:** **** May 15, 2001**

(54) **MANUAL CAN OPENER**

(75) Inventors: **Sven-Eric Juhlin**, Stockholm; **Maria Benktzon**, Sollentuna, both of (SE)

(73) Assignee: **Dart Industries Inc.**, Orlando, FL (US)

(**) Term: **14 Years**

(21) Appl. No.: **29/126,730**

(22) Filed: **Jul. 21, 2000**

(51) **LOC (7) Cl.** **07-99**

(52) **U.S. Cl.** **D8/39; D8/40**

(58) **Field of Search** D8/33-43, 18, D8/19; 30/400-443; 81/3.07-3.49; 7/151-156

(56) **References Cited**

U.S. PATENT DOCUMENTS

Re. 27,504	*	10/1972	Smith	30/418
D. 269,150	*	5/1983	Schulein	D8/39
D. 303,072		8/1989	Ancona	.	
D. 309,085	*	7/1990	Usbeck	D8/33
D. 326,039	*	5/1992	Viemeister	D8/33
D. 339,723	*	9/1993	Tanfoglio	D8/41
D. 366,197		1/1996	Laib	D8/41
D. 366,198		1/1996	Laib	D8/42
D. 393,403		4/1998	Tse	D8/40
D. 397,009		8/1998	Hon	D8/39
D. 403,556		1/1999	Juhlin et al.	D7/401.2
D. 404,269		1/1999	Chang	D8/39
D. 404,270		1/1999	Chang	D8/40
D. 405,332	*	2/1999	So	D8/39
D. 406,026		2/1999	So	D8/39

D. 406,027		2/1999	So	D8/39
D. 410,180	*	5/1999	So	D8/39
D. 415,666		10/1999	Ho	D8/39
D. 421,205		2/2000	Naft et al.	D8/36
D. 436,508	*	1/2001	Roberts	D8/39
1,826,324		10/1931	Ormsby	.	
4,563,818	*	1/1986	Kreth et al.	30/417
4,754,550	*	7/1988	Koo	30/417
4,825,554	*	5/1989	Koo	30/417
5,121,546		6/1992	Chong	.	
5,181,322	*	1/1993	Koo	30/416
5,197,197		3/1993	Himmlinghofen et al.	.	
5,581,897	*	12/1996	Liebscher	30/416
5,794,353	*	8/1998	Lin	30/418
6,182,368	*	2/2001	So	30/418

* cited by examiner

Primary Examiner—Jeffrey Asch

(74) *Attorney, Agent, or Firm*—Taylor J. Ross

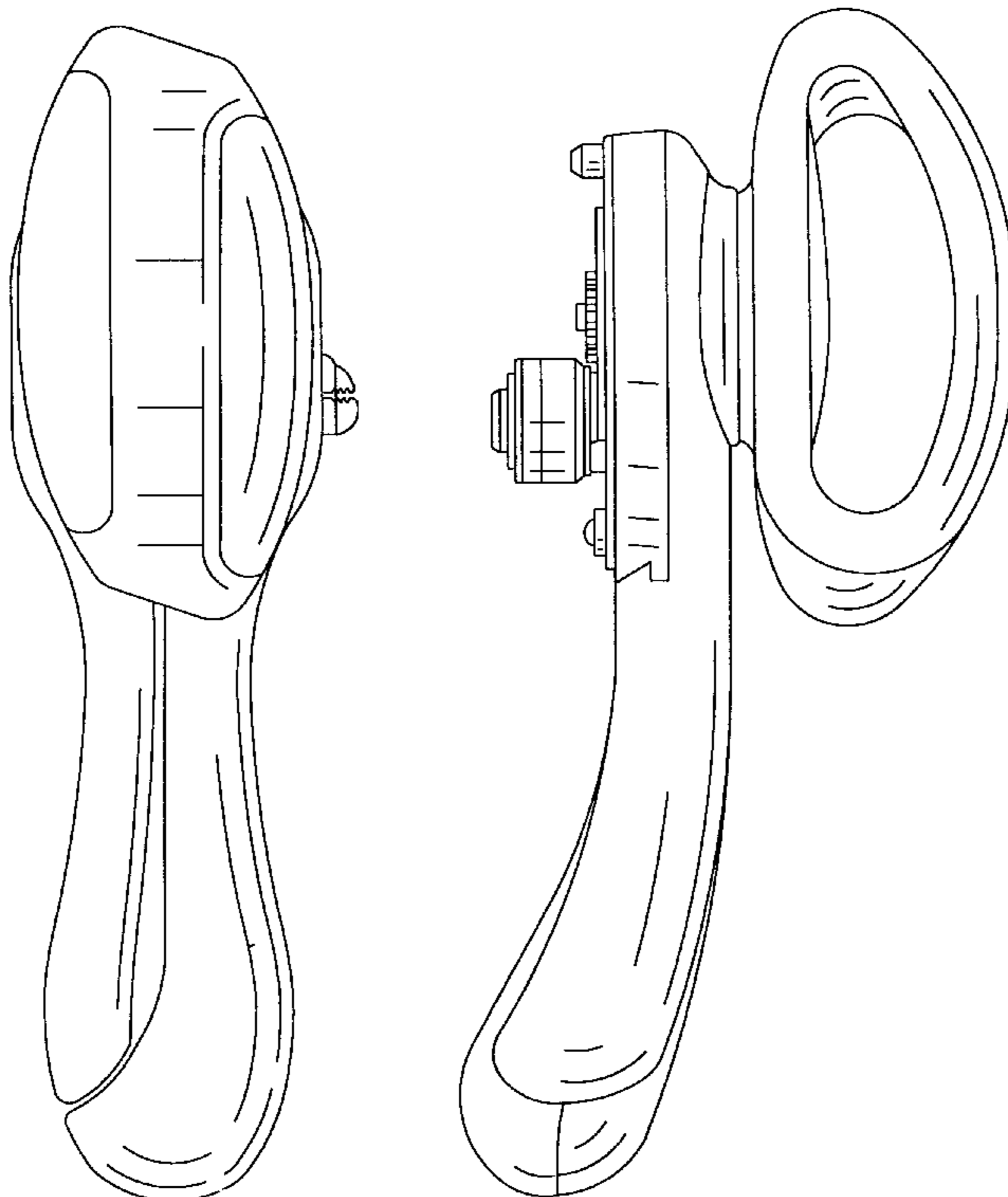
(57) **CLAIM**

The ornamental design for a manual can opener, as shown and described.

DESCRIPTION

FIG. 1 is a top, side and front perspective view of a manual can opener showing the new design; FIG. 2 is a front elevation view thereof; FIG. 3 is a rear elevation view thereof; FIG. 4 is a right side elevation view thereof; FIG. 5 is a left side elevation view thereof; FIG. 6 is a top plan view thereof; and, FIG. 7 is a bottom plan view thereof.

1 Claim, 3 Drawing Sheets



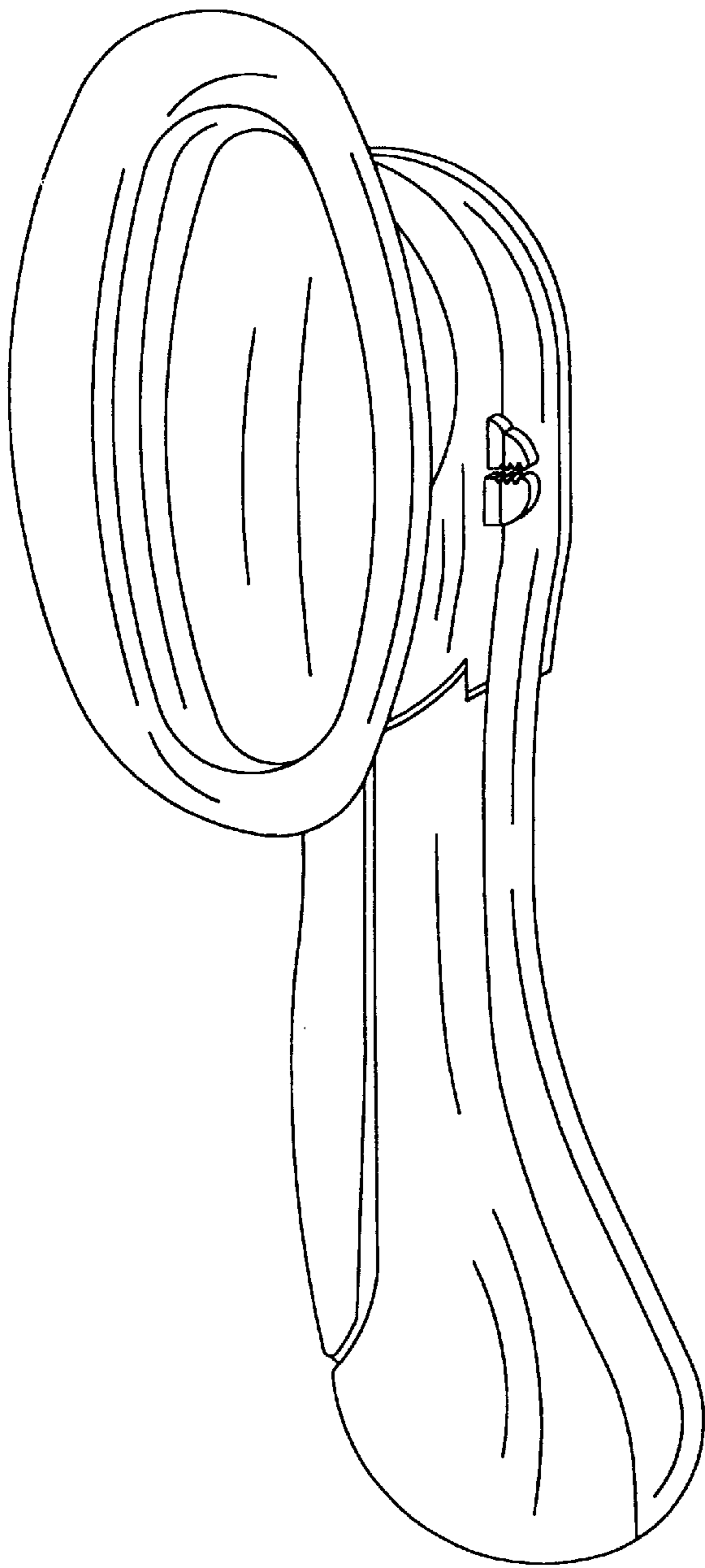


FIG. 1

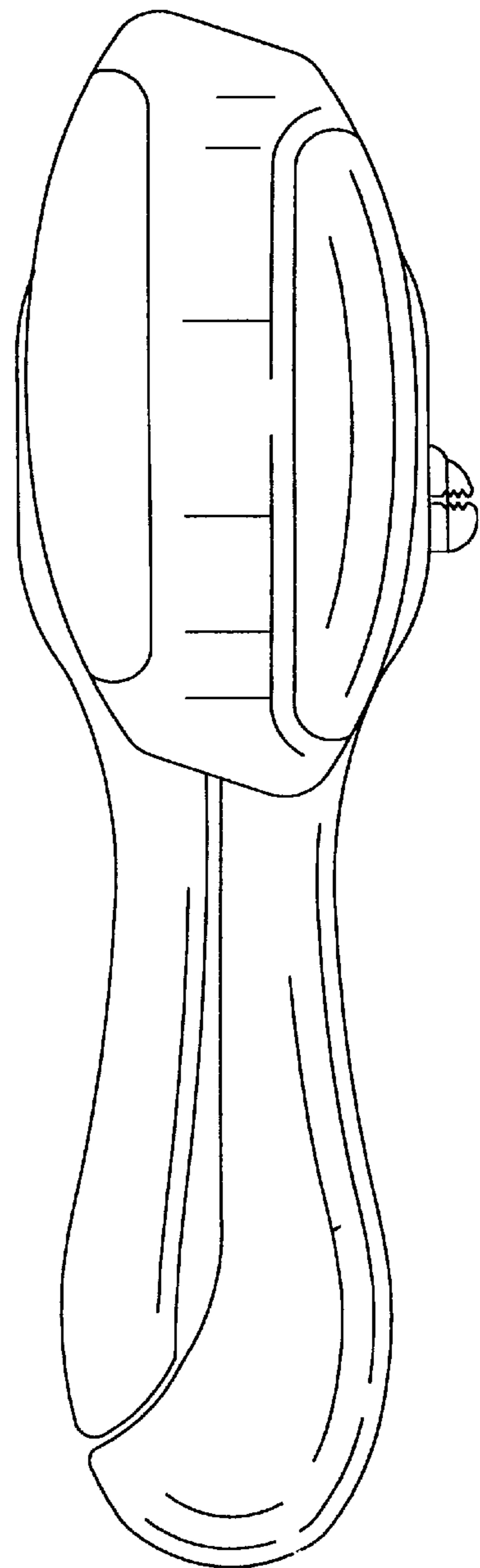


FIG. 2

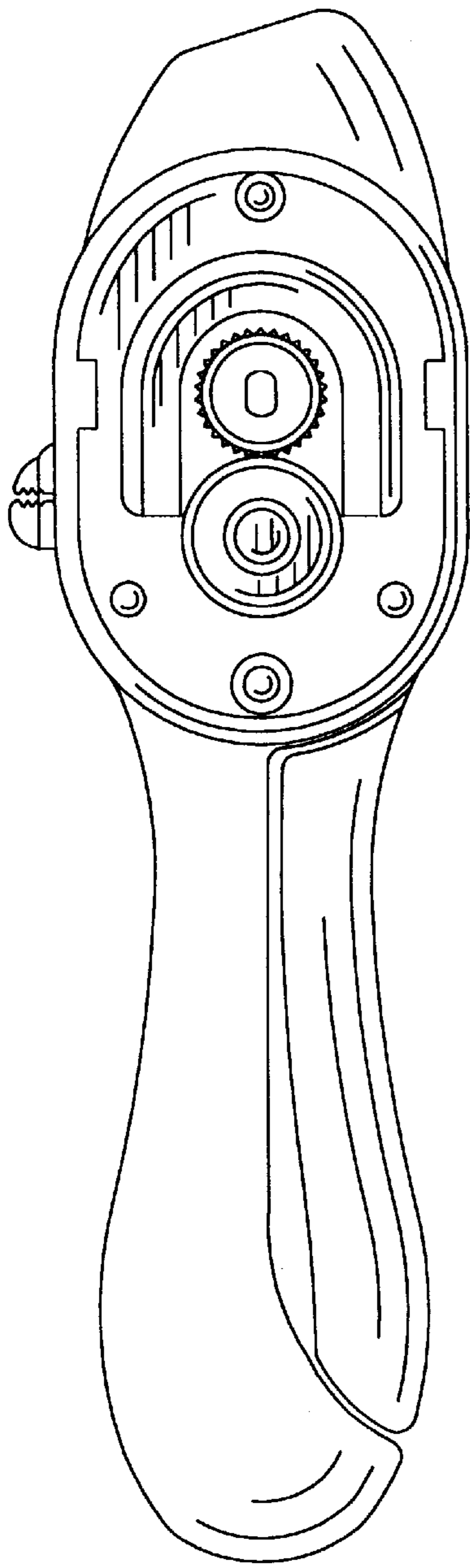


FIG. 3

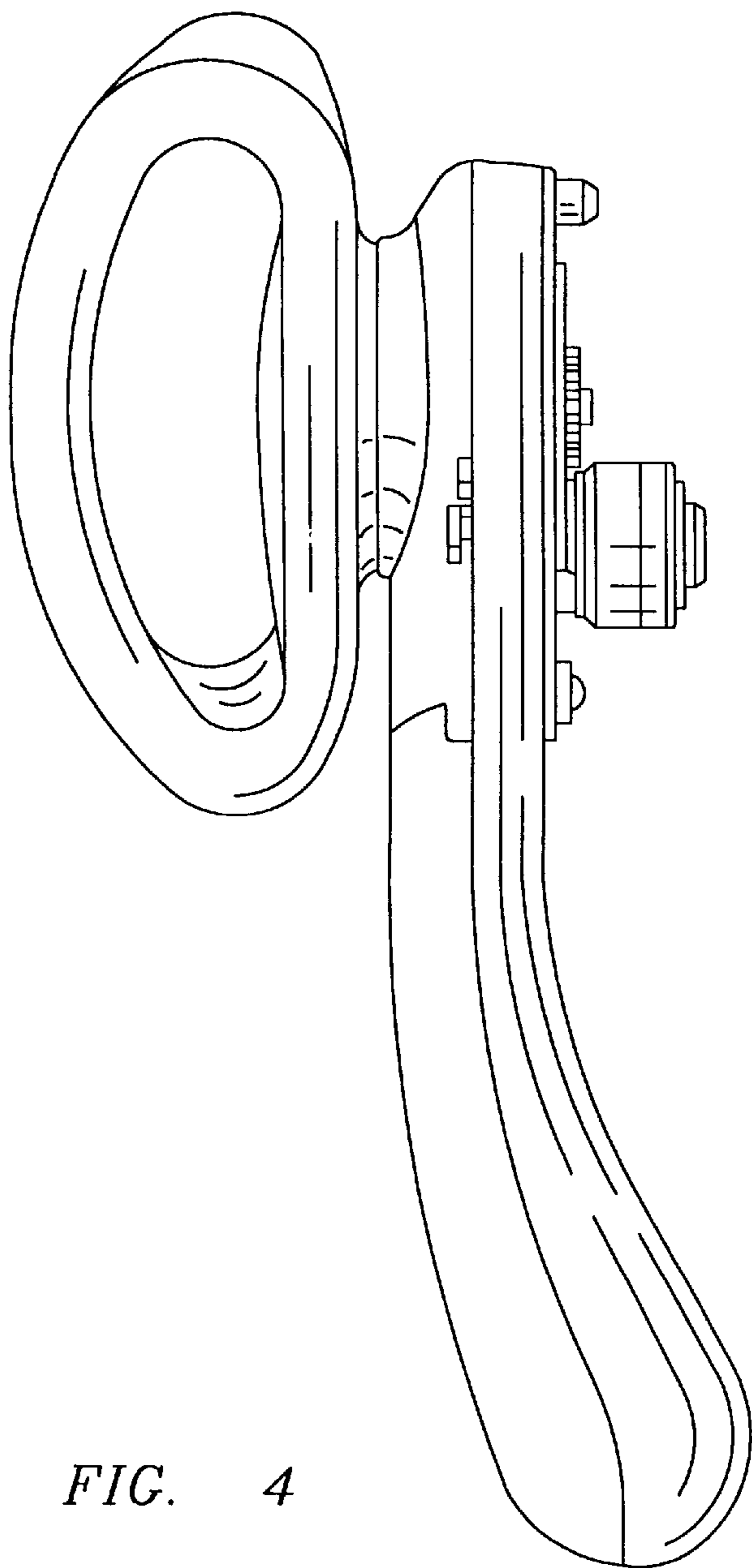


FIG. 4

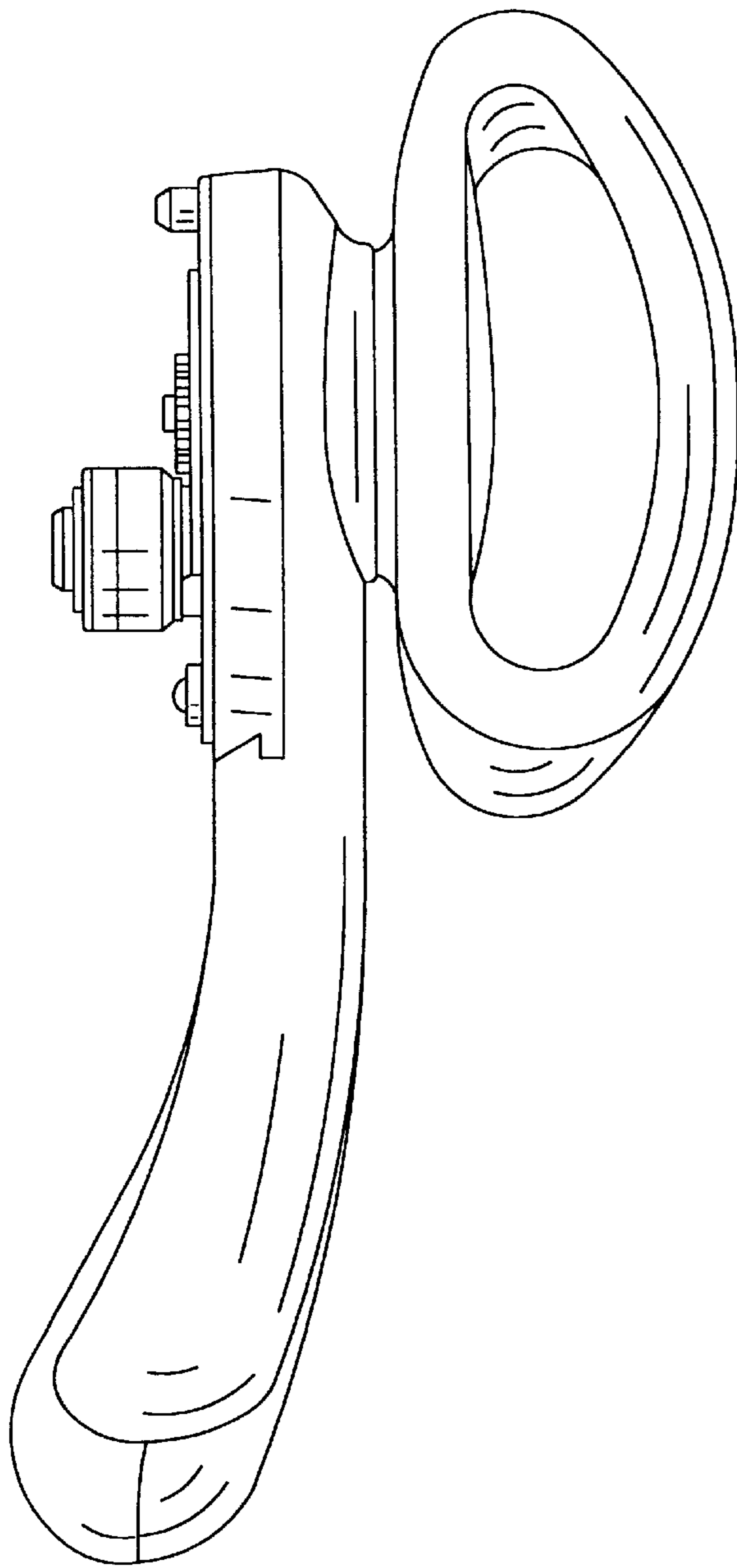


FIG. 5

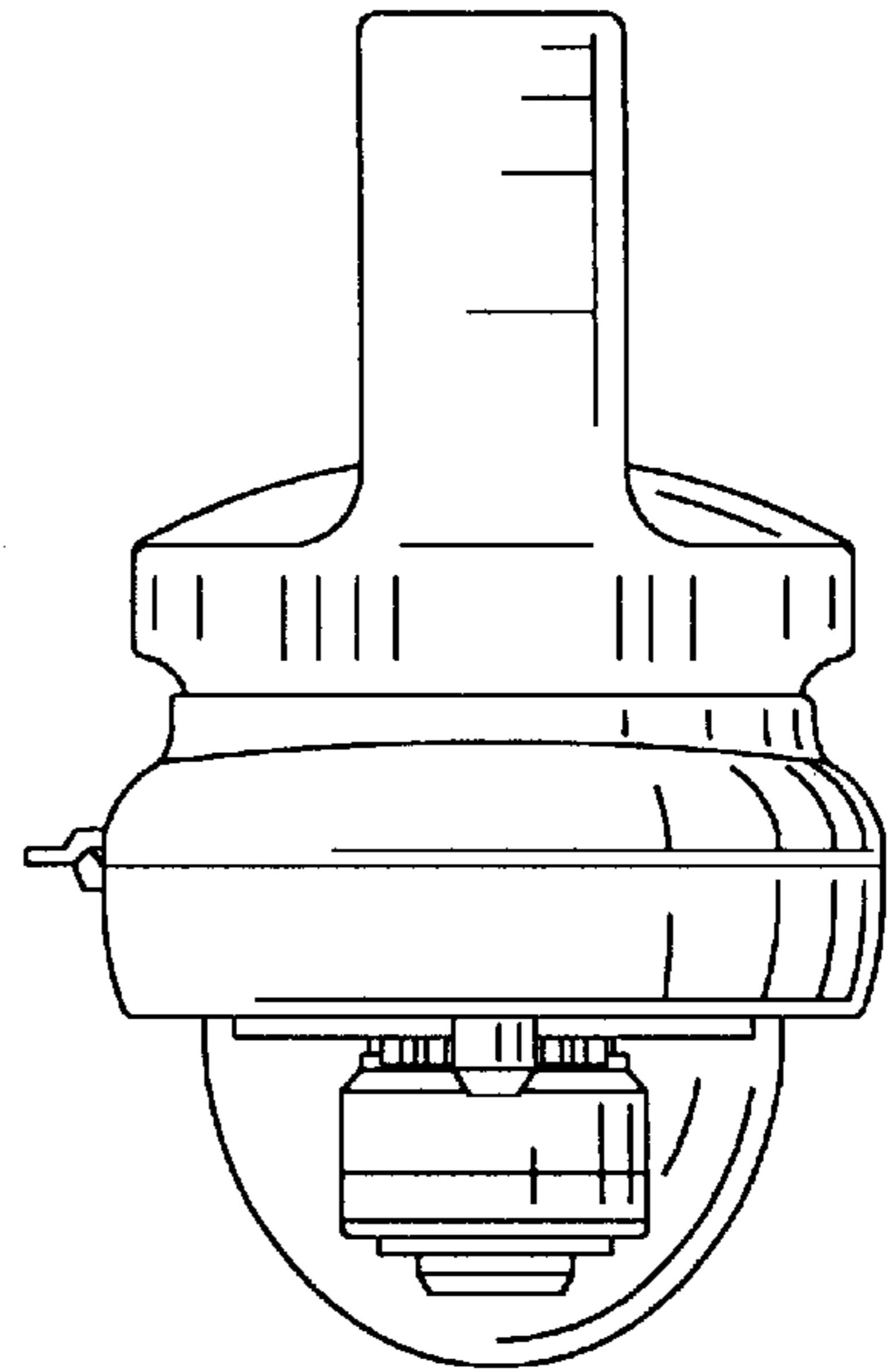


FIG. 6

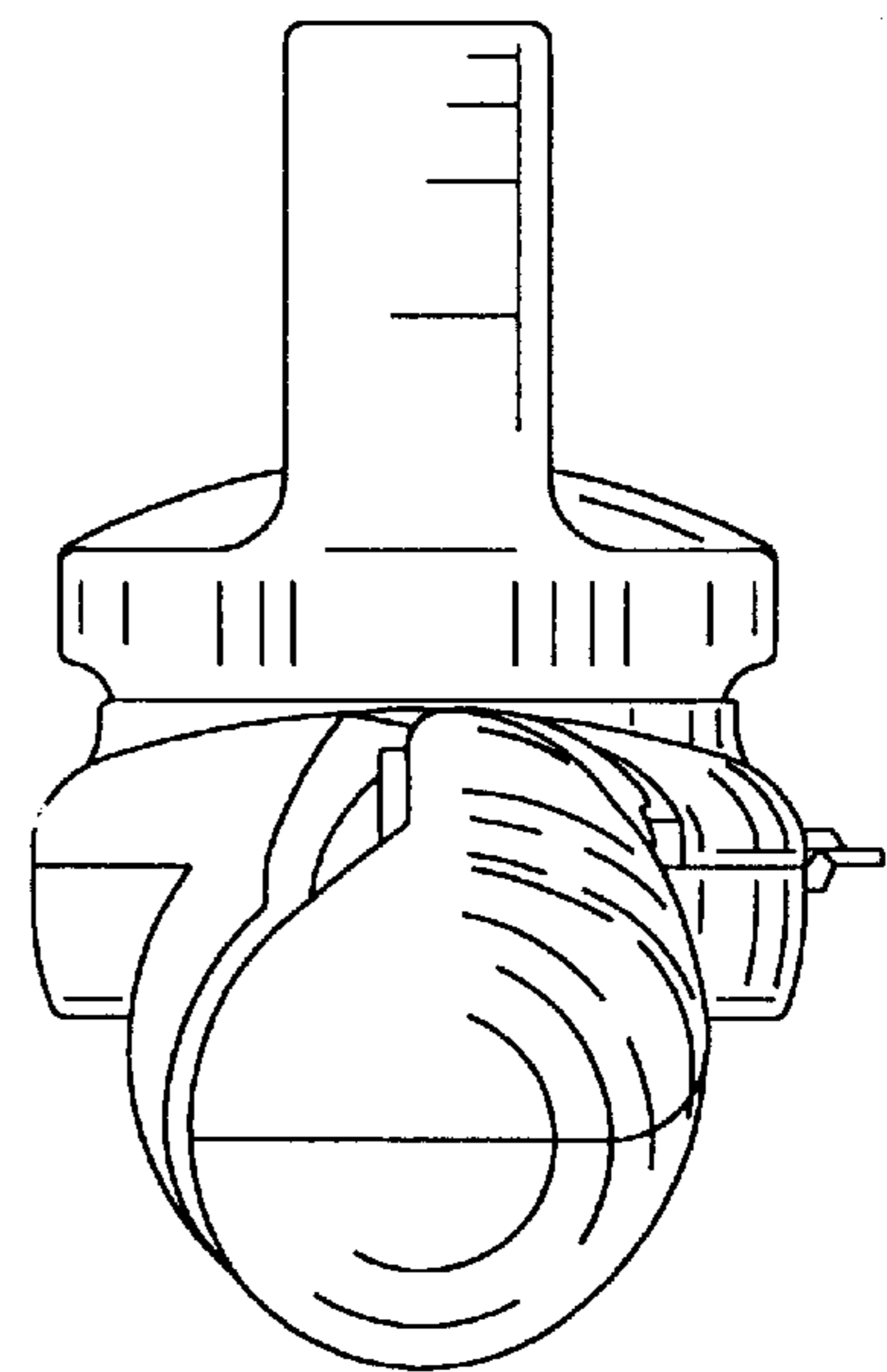


FIG. 7