



US00D442043S

(12) **United States Design Patent**  
**Kao**

(10) **Patent No.:** **US D442,043 S**

(45) **Date of Patent:** **\*\* May 15, 2001**

(54) **CORK EXTRACTOR**

2,725,622 \* 12/1955 Geier ..... 30/447  
4,253,351 \* 3/1981 Allen ..... 81/3.29

(76) Inventor: **I-Feng Kao**, No. 200, Shi-Ho Road,  
West District, Tainan (TW)

\* cited by examiner

(\*\*) Term: **14 Years**

*Primary Examiner*—Jeffrey Asch  
(74) *Attorney, Agent, or Firm*—Alan Kamrath; Rider,  
Bennett, Egan & Arundel, LLP

(21) Appl. No.: **29/123,720**

(22) Filed: **May 10, 2000**

(57) **CLAIM**

(51) **LOC (7) Cl.** ..... **07-99**

The ornamental design for a cork extractor, as shown and described.

(52) **U.S. Cl.** ..... **D8/39; D8/33**

(58) **Field of Search** ..... D8/33-43, 18,  
D8/19; 30/400-443; 81/3.07-3.49; 7/151-156

**DESCRIPTION**

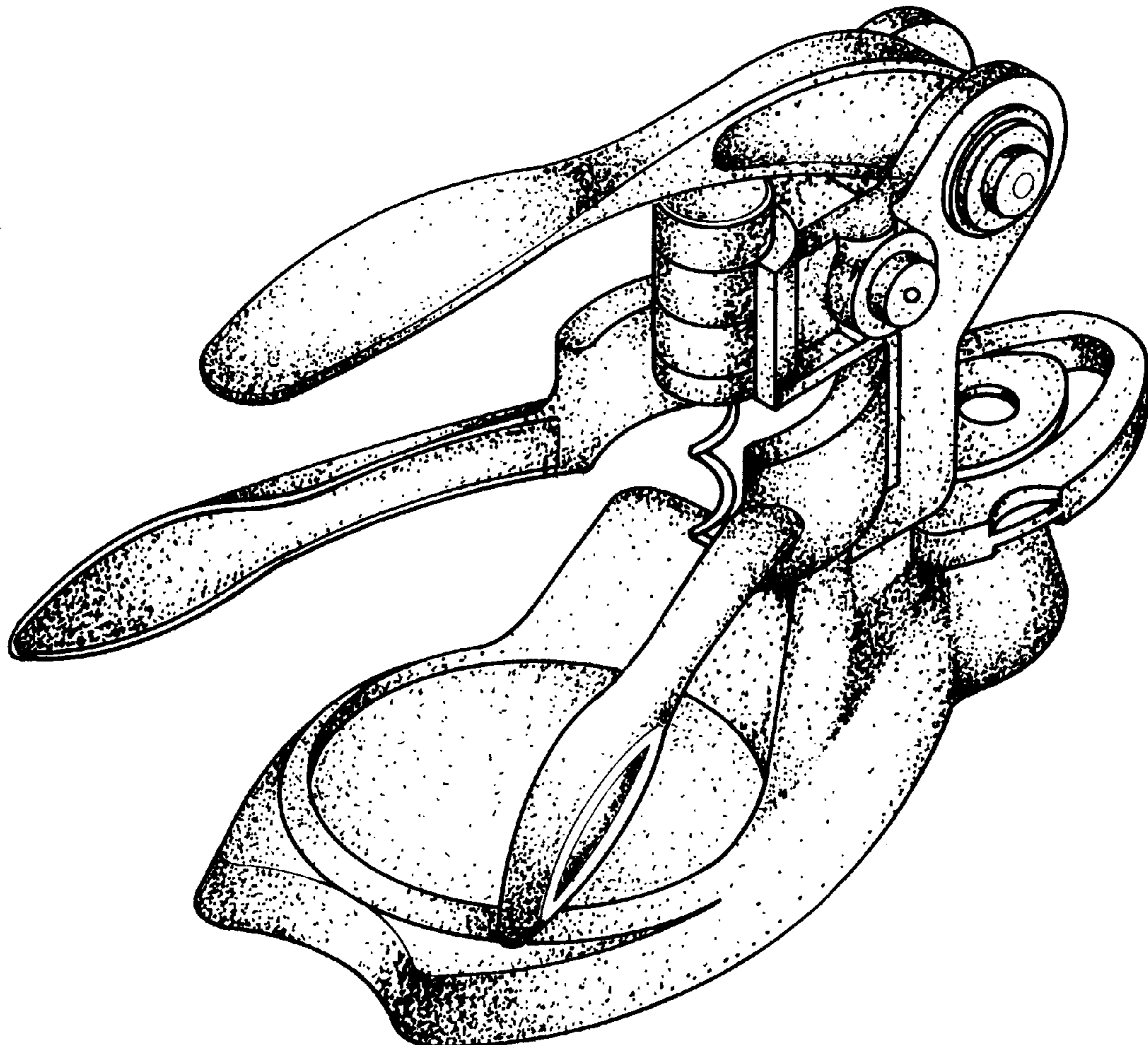
(56) **References Cited**

FIG. 1 is a front-top-right perspective view of a cork extractor showing my design;  
FIG. 2 is a front elevational view thereof;  
FIG. 3 is rear elevational view thereof;  
FIG. 4 is a left elevational view thereof;  
FIG. 5 is a right elevational view thereof;  
FIG. 6 is a top plan view thereof; and,  
FIG. 7 is a bottom plan view thereof.

**U.S. PATENT DOCUMENTS**

|            |   |         |              |       |       |
|------------|---|---------|--------------|-------|-------|
| D. 158,944 | * | 6/1950  | Donnelly     | ..... | D8/33 |
| D. 174,858 | * | 5/1955  | Greco et al. | ..... | D8/33 |
| D. 181,888 | * | 1/1958  | Tagle        | ..... | D8/39 |
| D. 185,695 | * | 7/1959  | Blumberg     | ..... | D8/33 |
| D. 408,697 | * | 4/1999  | Bergen       | ..... | D8/42 |
| D. 415,667 | * | 10/1999 | de Bergen    | ..... | D8/42 |
| D. 420,558 | * | 2/2000  | Lee          | ..... | D8/39 |

**1 Claim, 5 Drawing Sheets**



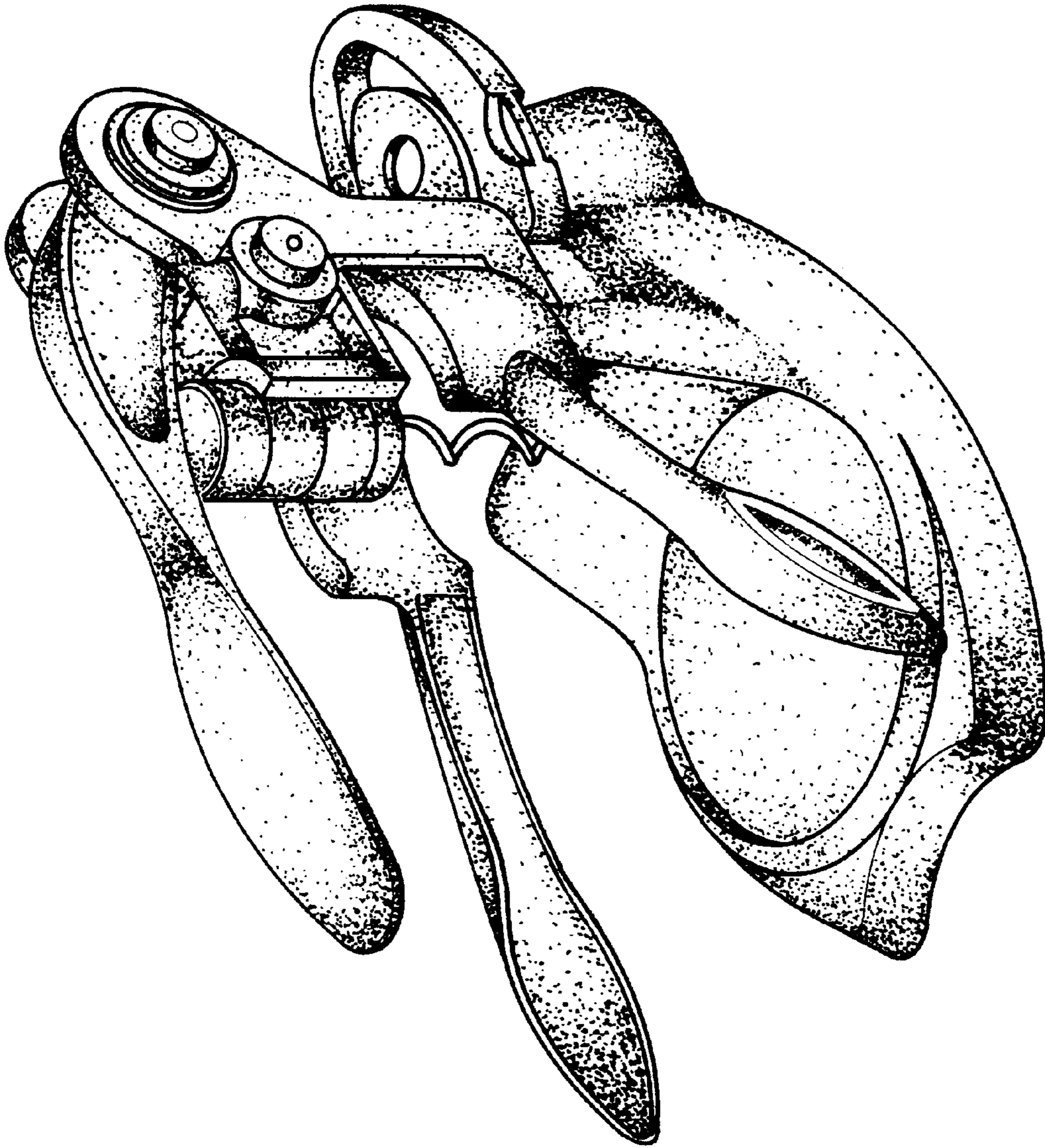


FIG.1

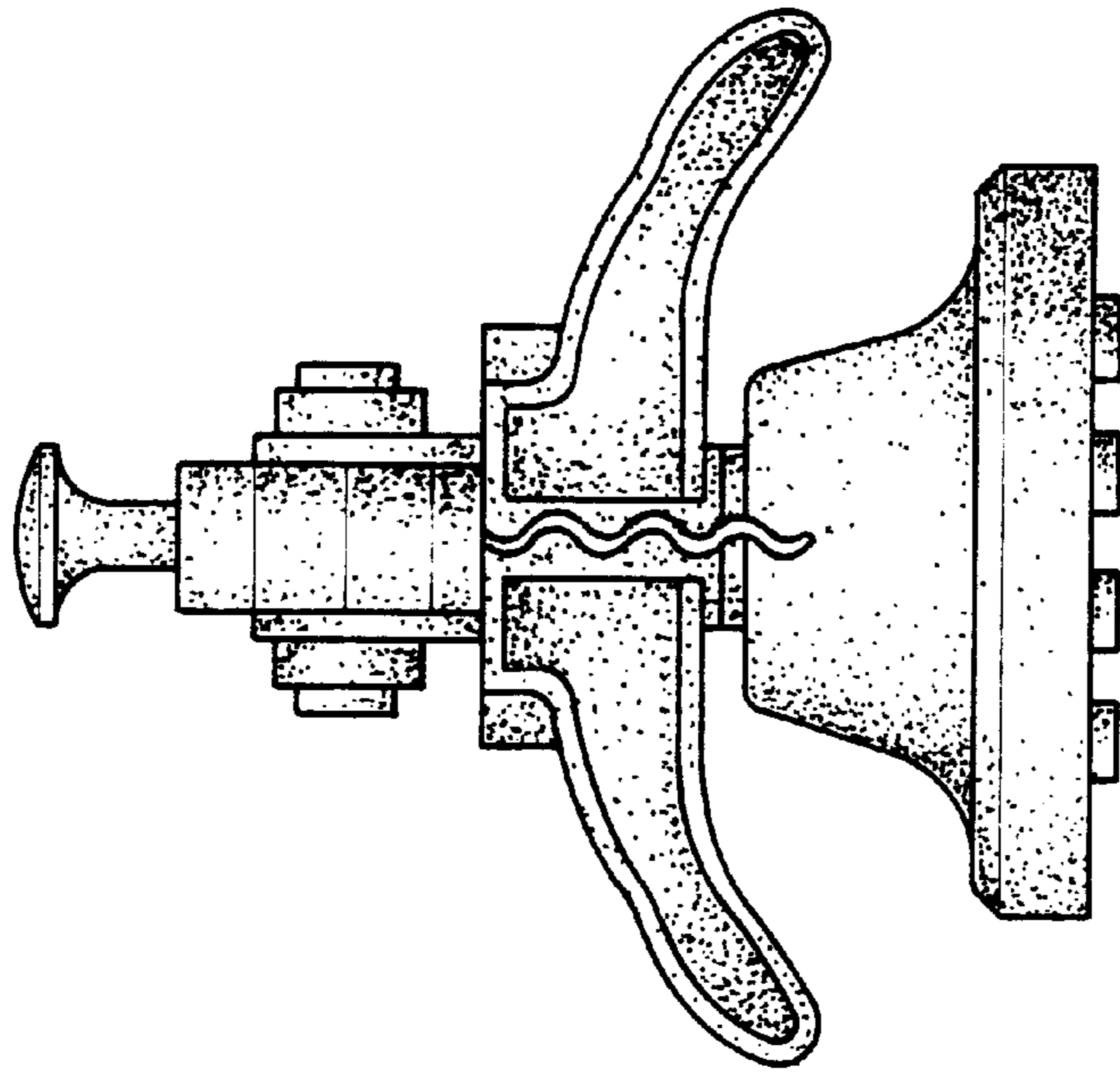


FIG. 2

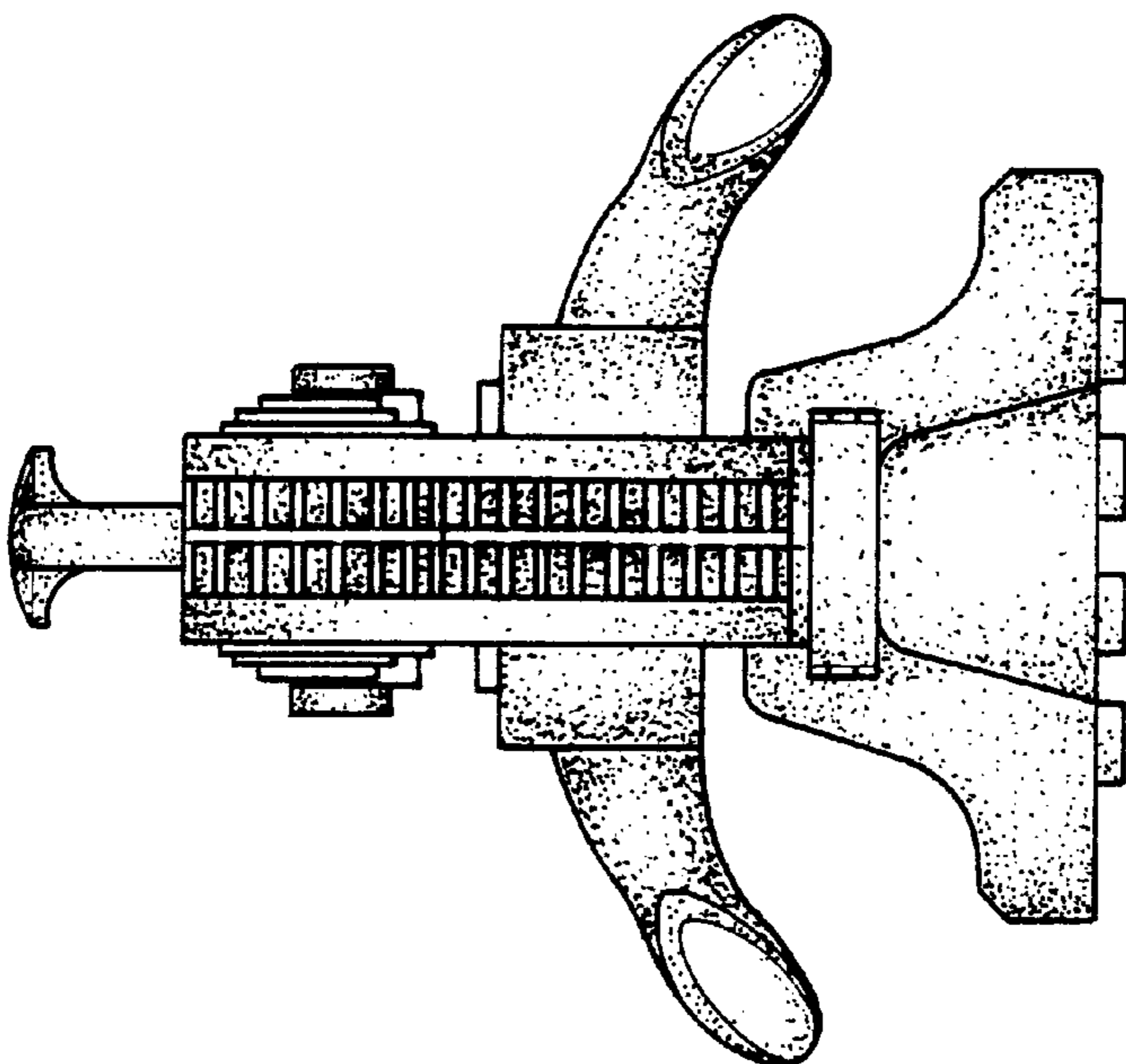


FIG. 3

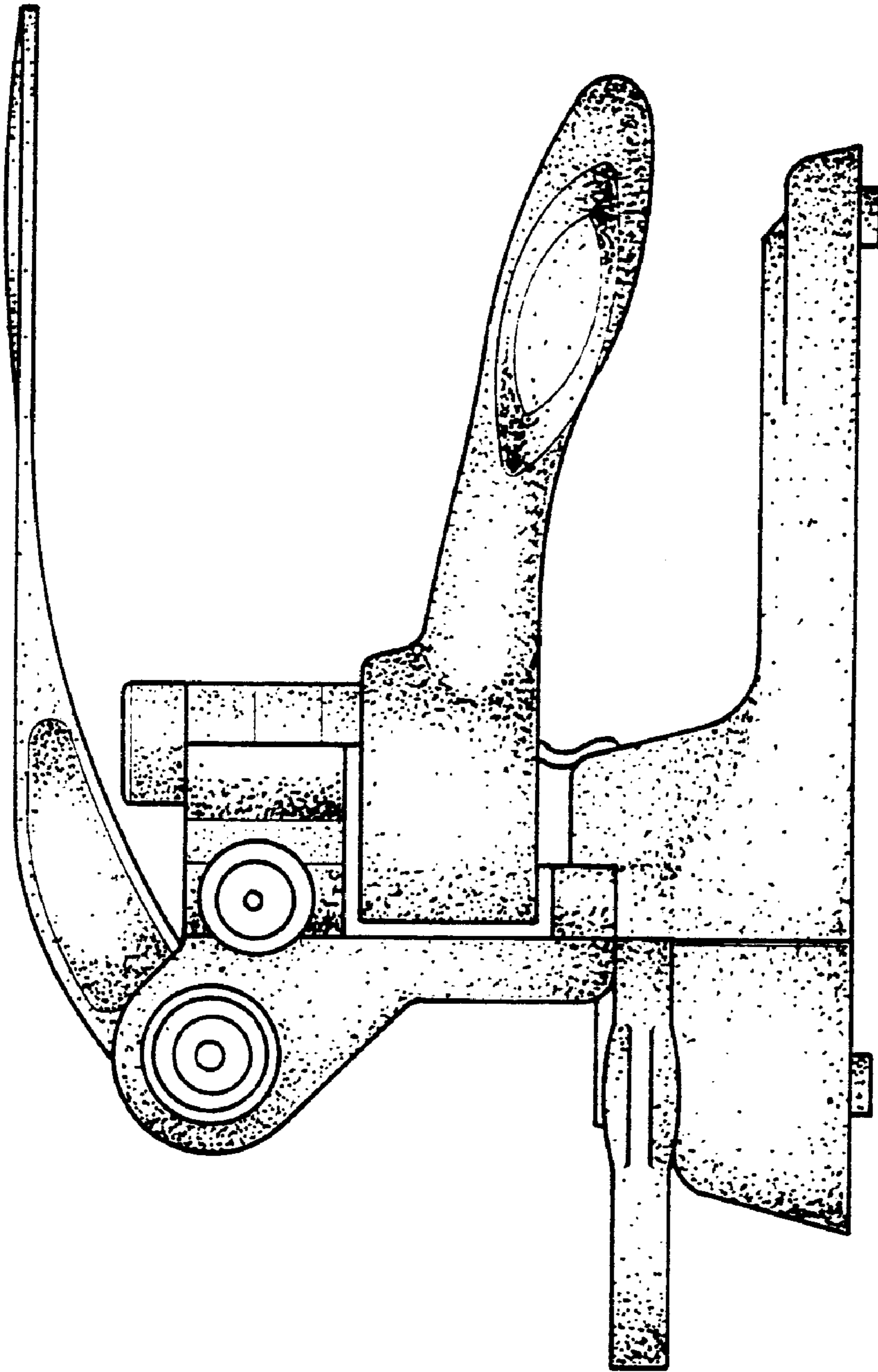


FIG. 4

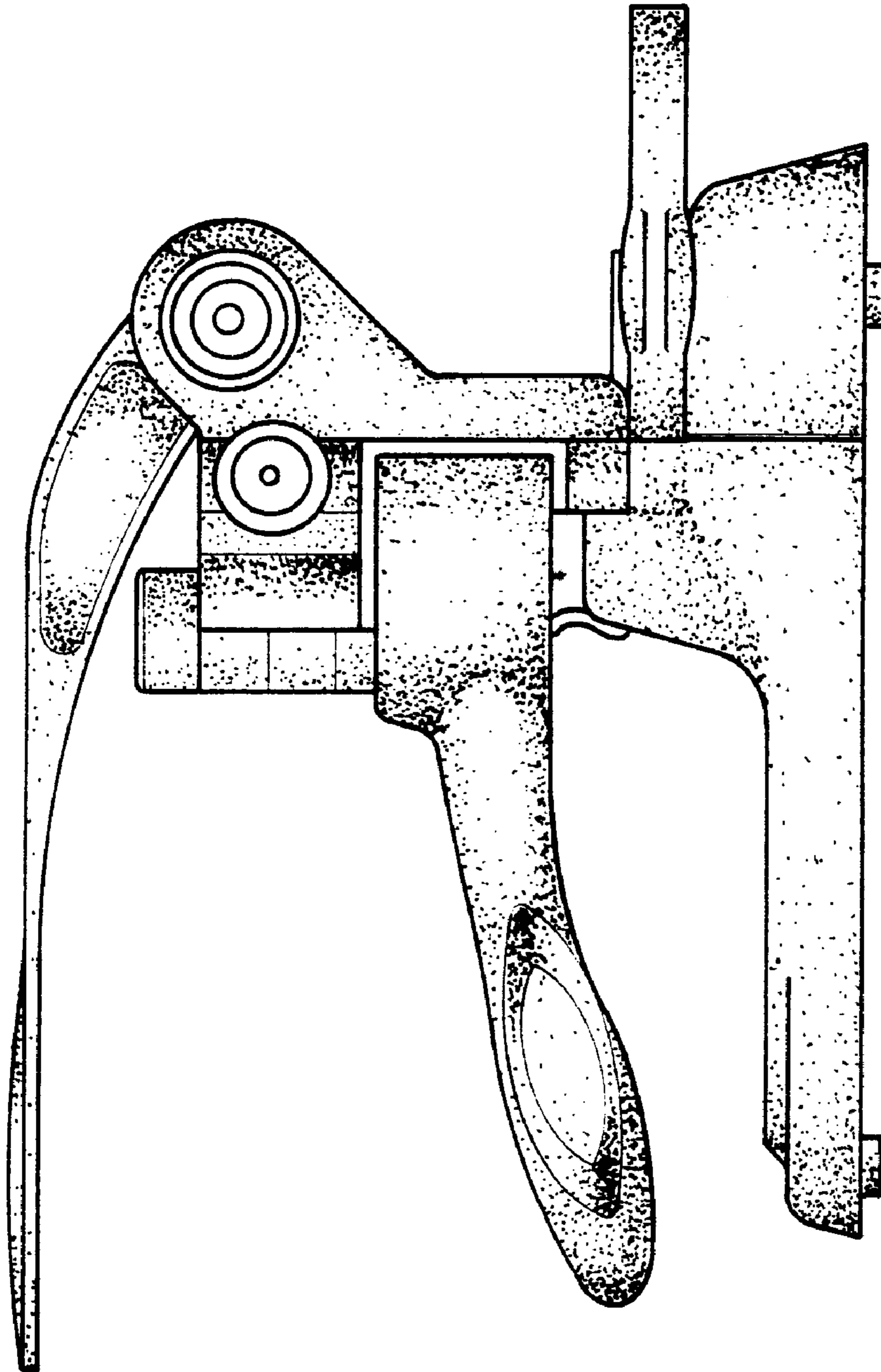


FIG. 5

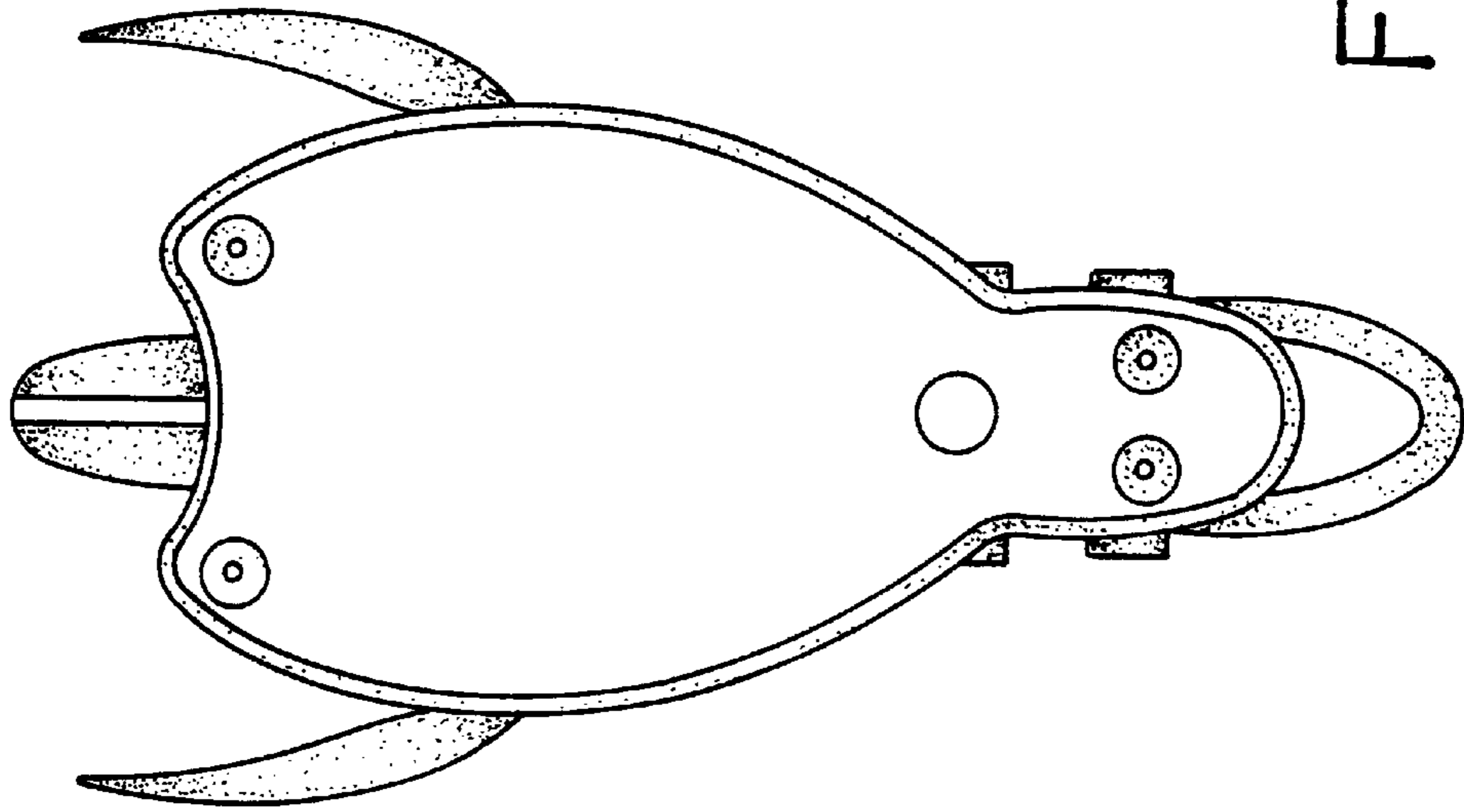


FIG. 6

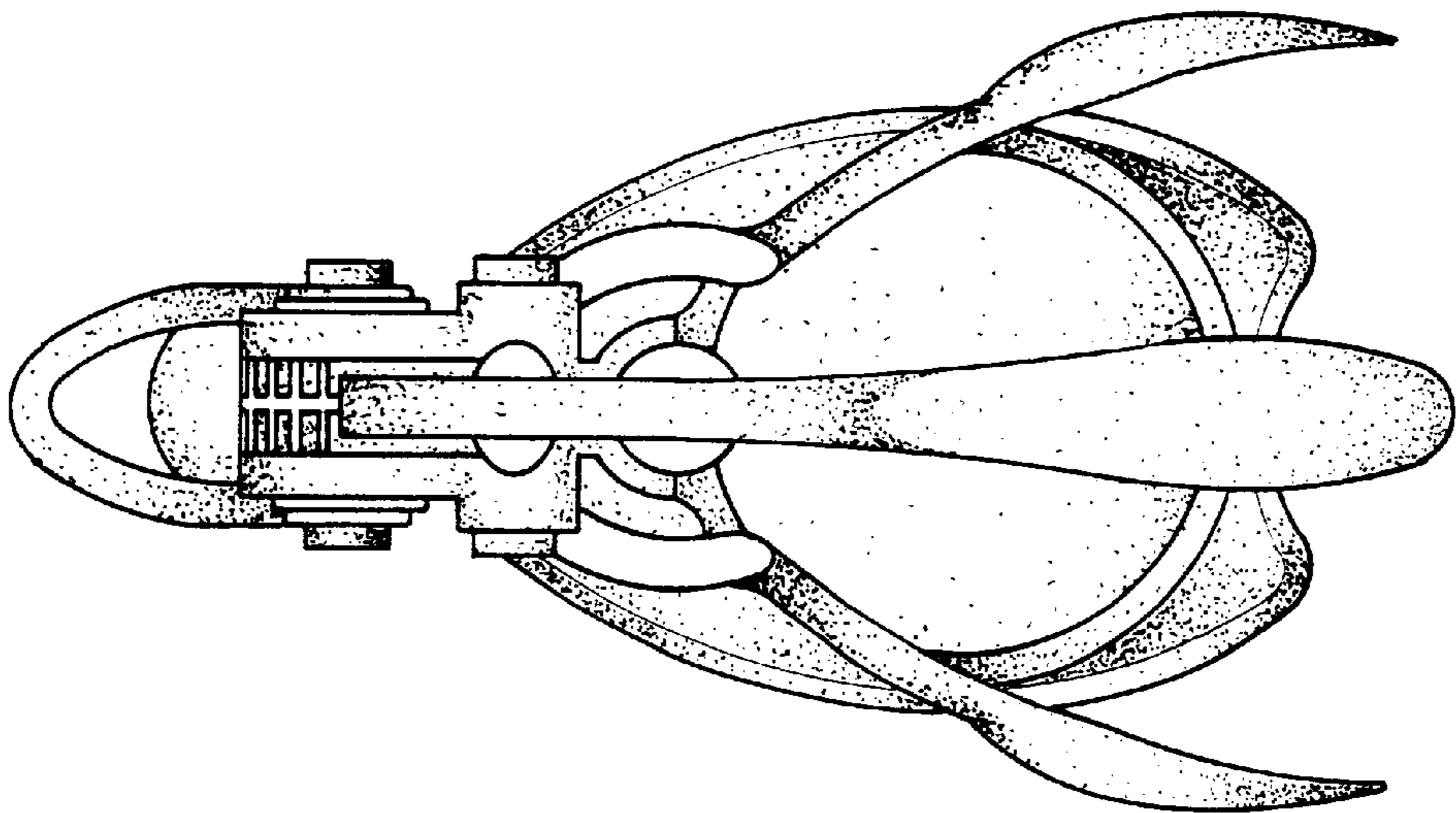


FIG. 7