



US00D442041S

(12) **United States Design Patent**  
**Chen**

(10) **Patent No.:** **US D442,041 S**

(45) **Date of Patent:** **\*\* May 15, 2001**

(54) **TOOL BIT**

6,138,533 \* 10/2000 Turtle ..... 81/124.3

(76) Inventor: **Ching Chen**, No. 1, Alley 2, Lane 741,  
Dong-Ping Road, Tai-Ping City,  
Taichung Hsien (TW)

\* cited by examiner

*Primary Examiner*—Raphael Barkai  
(74) *Attorney, Agent, or Firm*—Charles E. Baxley

(\*\*) Term: **14 Years**

(57) **CLAIM**

(21) Appl. No.: **29/130,366**

The ornamental design for a tool bit, as shown and described.

(22) Filed: **Oct. 2, 2000**

(51) **LOC (7) Cl.** ..... **08-05**

(52) **U.S. Cl.** ..... **D8/28; D8/28**

(58) **Field of Search** ..... D8/17, 21-29;  
81/119, 124.3, DIG. 8

**DESCRIPTION**

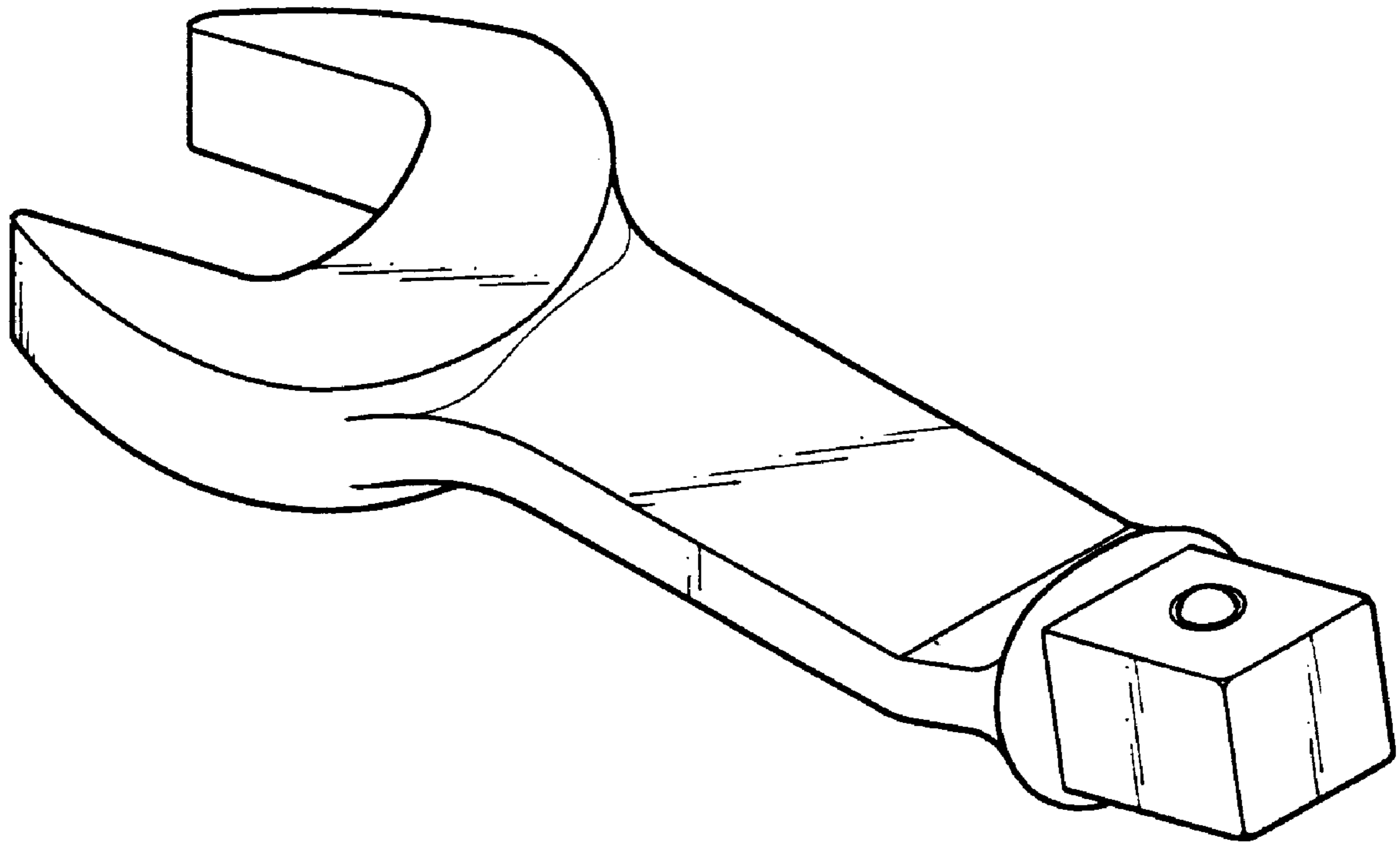
FIG. 1 is a perspective view of a tool bit showing my new design;  
FIG. 2 is a front elevational view thereof;  
FIG. 3 is a rear elevational view being identical to that shown;  
FIG. 4 is a left side elevational view thereof;  
FIG. 5 is a right side elevational view thereof;  
FIG. 6 is a top plan view thereof; and,  
FIG. 7 is a bottom plan view thereof.

(56) **References Cited**

**U.S. PATENT DOCUMENTS**

- D. 338,816 \* 8/1993 Maldonado ..... D8/28
- 2,832,246 \* 4/1958 Livermont ..... 81/DIG. 8
- 5,181,439 \* 1/1993 Schwartz ..... 81/119
- 5,251,519 \* 10/1993 Lang ..... 81/DIG. 8

**1 Claim, 4 Drawing Sheets**



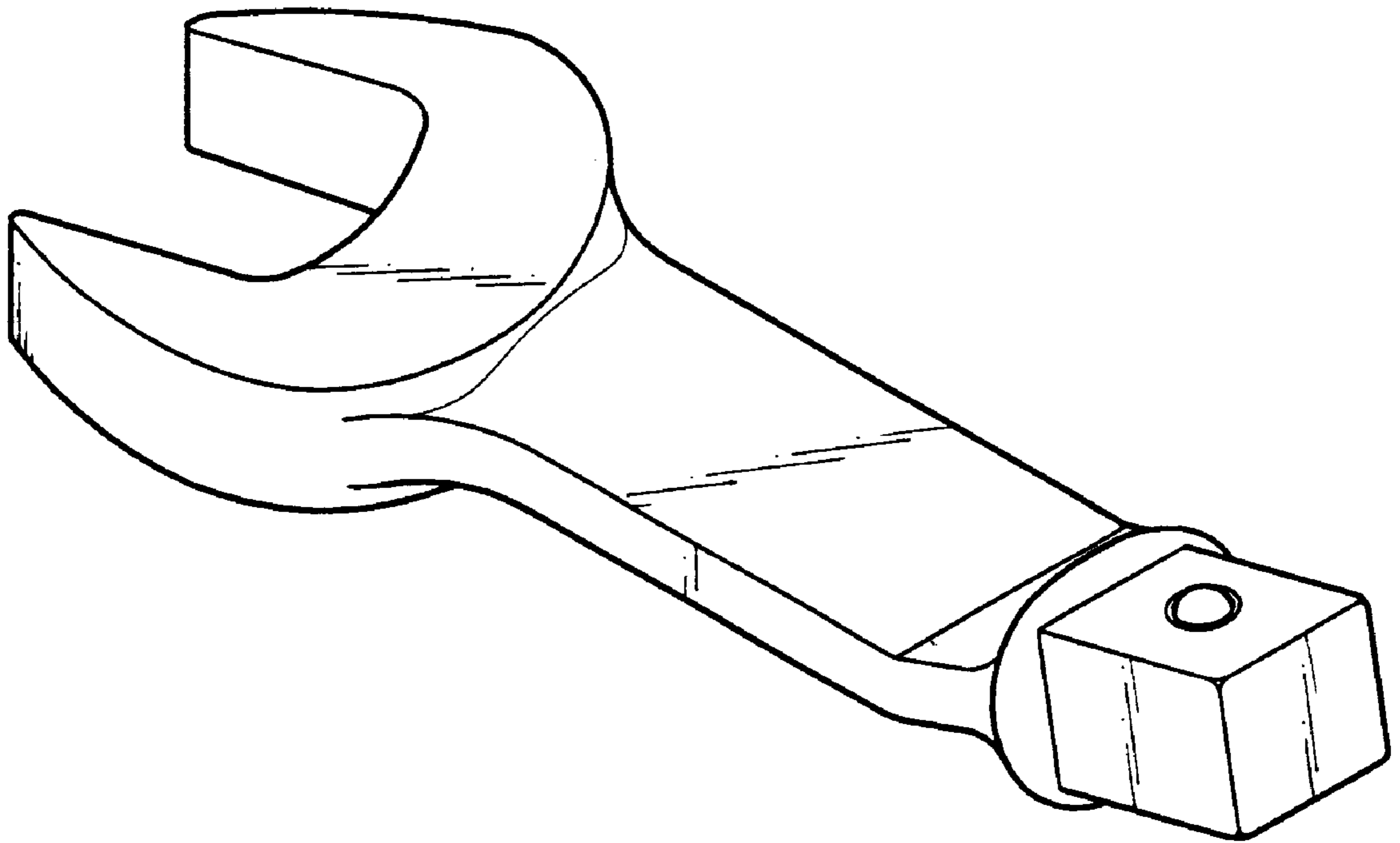


FIG. 1

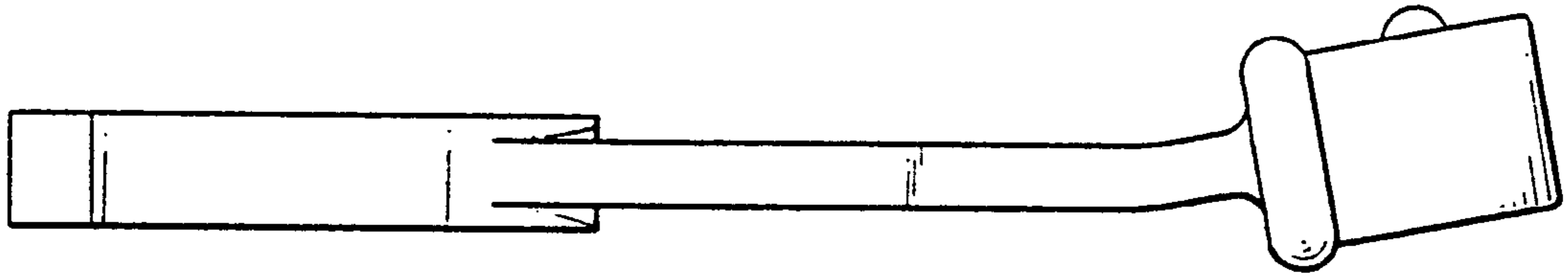


FIG. 2

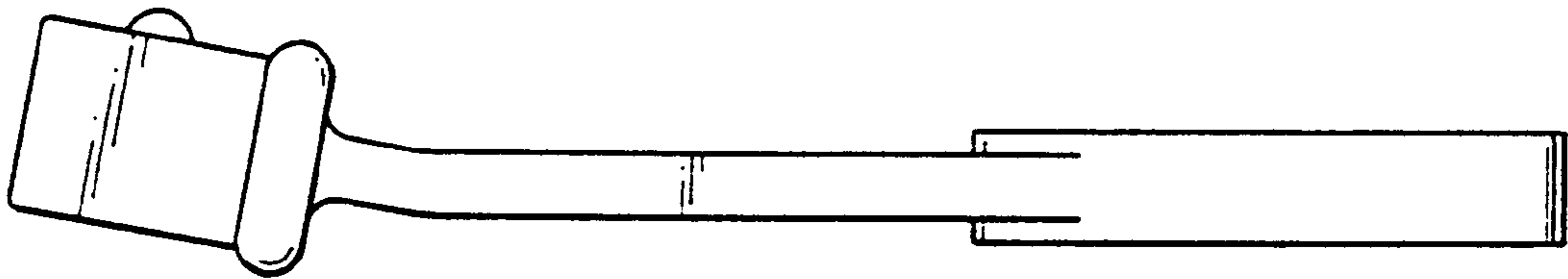


FIG. 3

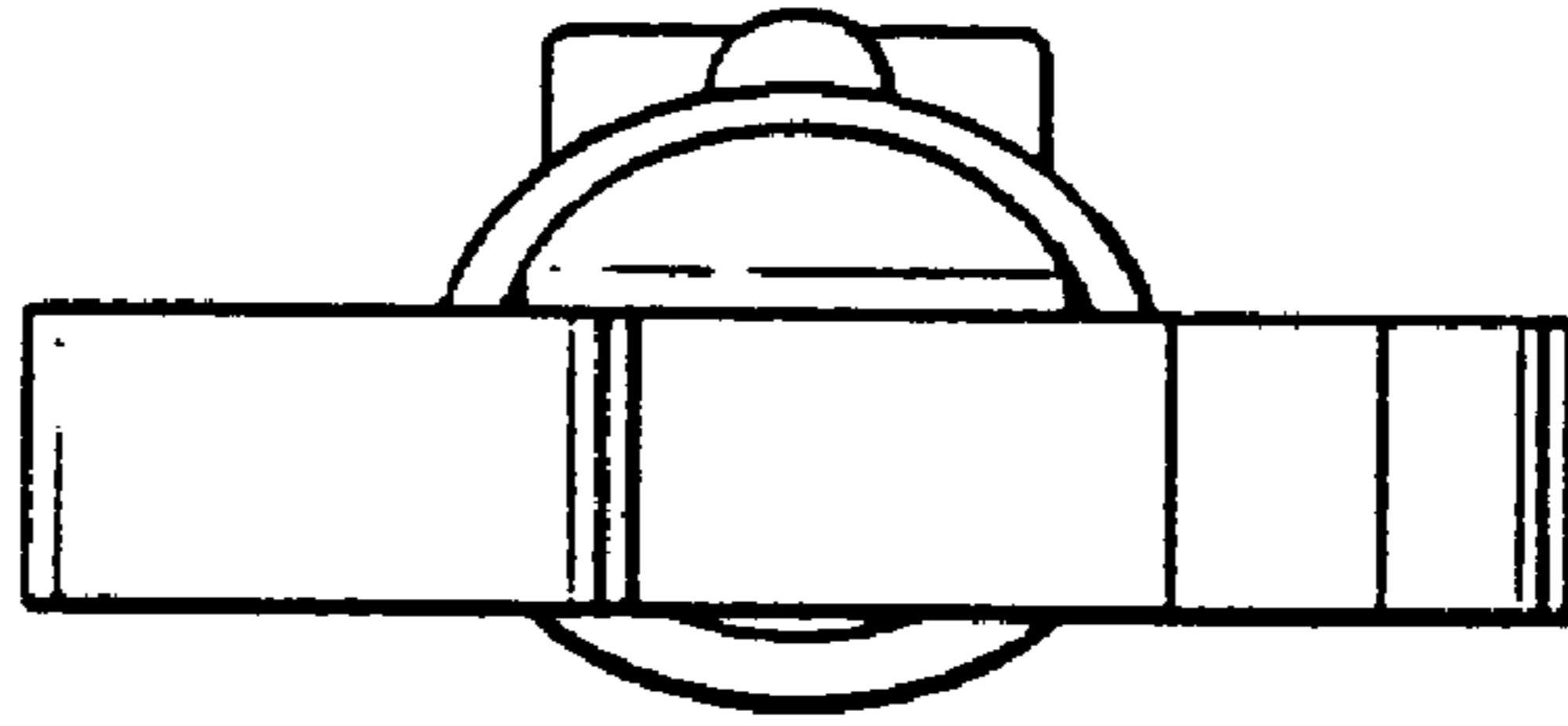


FIG. 4

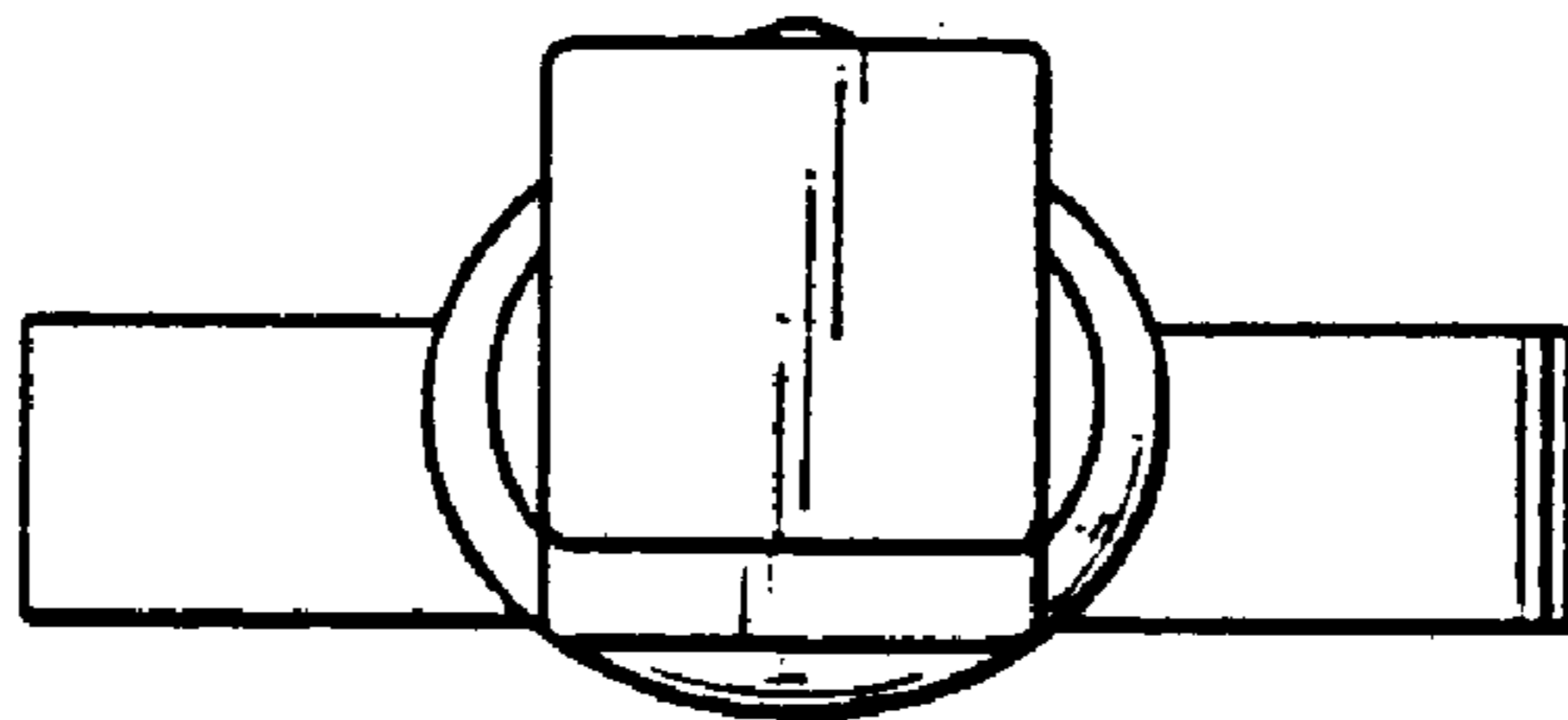


FIG. 5

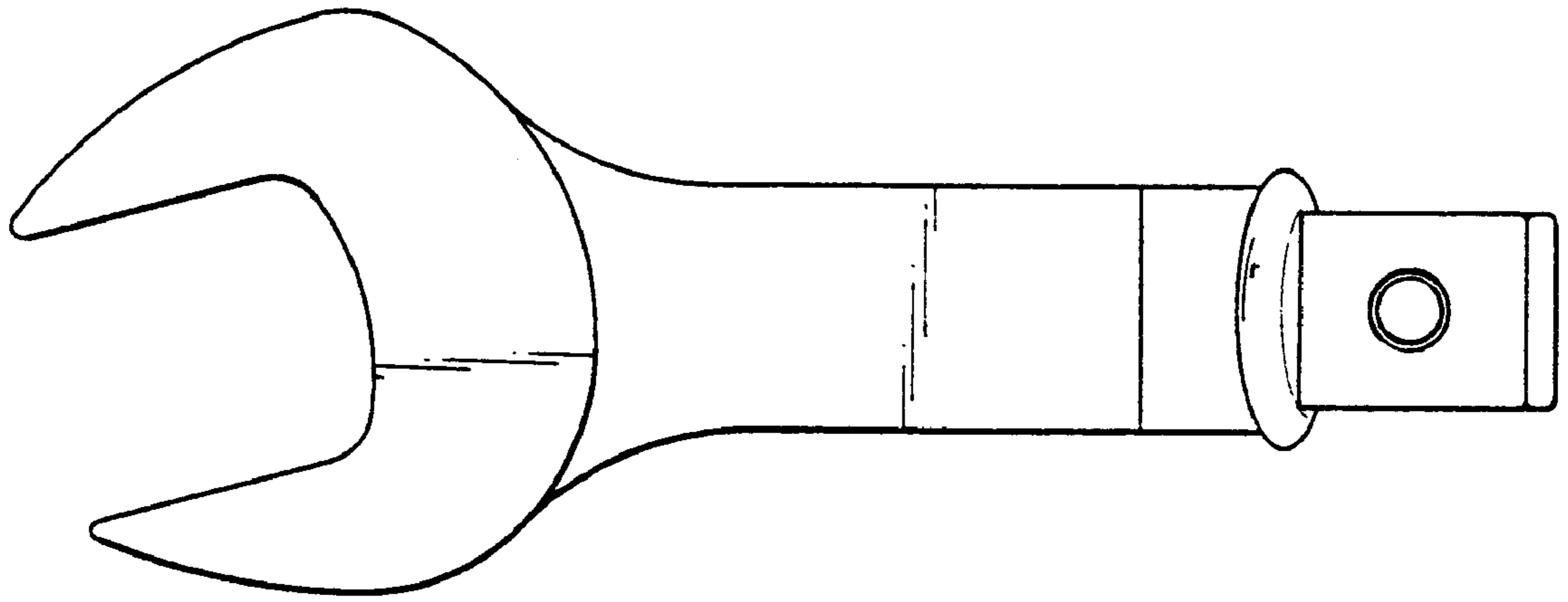


FIG. 6

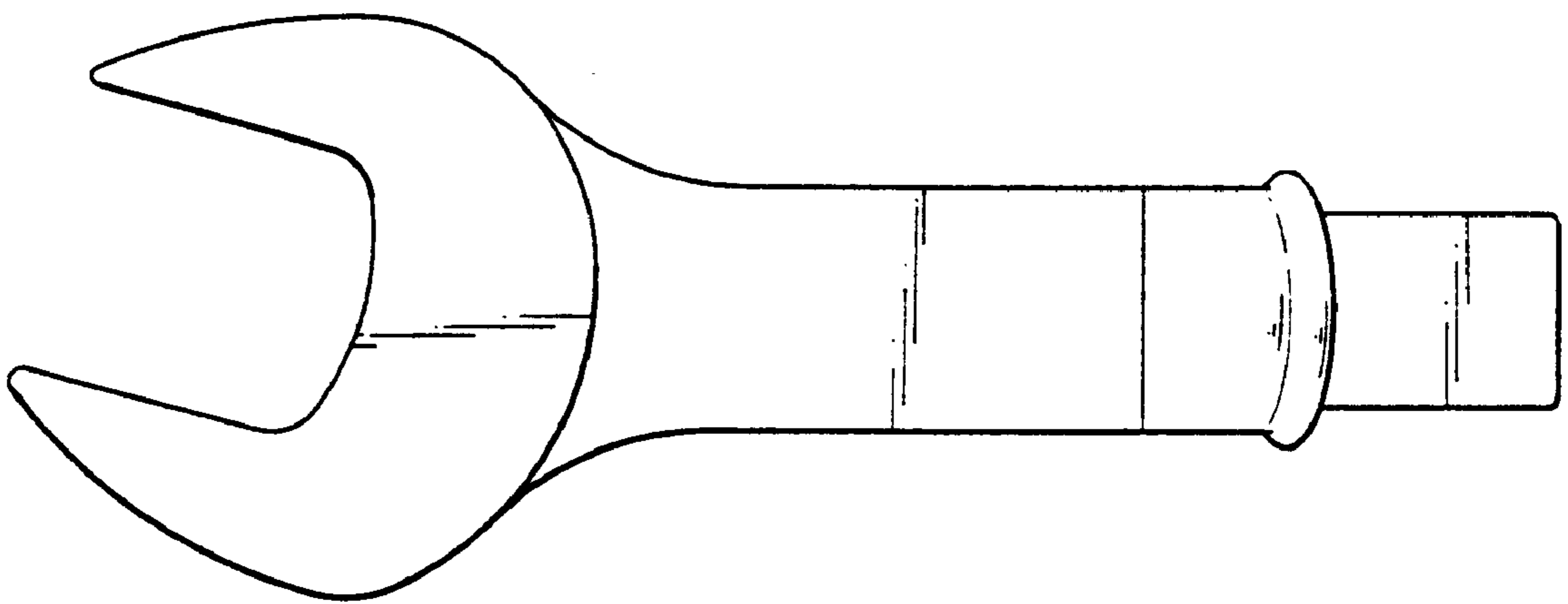


FIG. 7