



US00D442040S

(12) **United States Design Patent**
Fallandy

(10) **Patent No.:** **US D442,040 S**

(45) **Date of Patent:** **** May 15, 2001**

(54) **WIRE TERMINATION BLADE**

D. 429,978 * 8/2000 Fallandy D8/14
5,613,297 * 3/1997 Dvorak et al. 29/861

(75) Inventor: **Michael M. Fallandy**, Ventura, CA
(US)

* cited by examiner

(73) Assignee: **Harris Corporation**, Melbourne, FL
(US)

Primary Examiner—Philip S. Hyder

(74) *Attorney, Agent, or Firm*—Harry M. Fleck

(**) Term: **14 Years**

(57) **CLAIM**

I claim the ornamental design for wire termination blade, as shown.

(21) Appl. No.: **29/130,204**

(22) Filed: **Sep. 28, 2000**

DESCRIPTION

(51) **LOC (7) Cl.** **08-05**

(52) **U.S. Cl.** **D8/14**

(58) **Field of Search** D8/14, 51, 98;
29/861, 729, 739, 751, 252, 566.4; 407/40

FIG. 1 is a perspective view of the wire termination blade, looking towards the top and left sides;
FIG. 2 is an elevational view of the left side;
FIG. 3 is an elevational view of the right side;
FIG. 4 is a top plan view;
FIG. 5 is a bottom plan view;
FIG. 6 is an elevational view of the front end; and,
FIG. 7 is an elevational view of the back end.

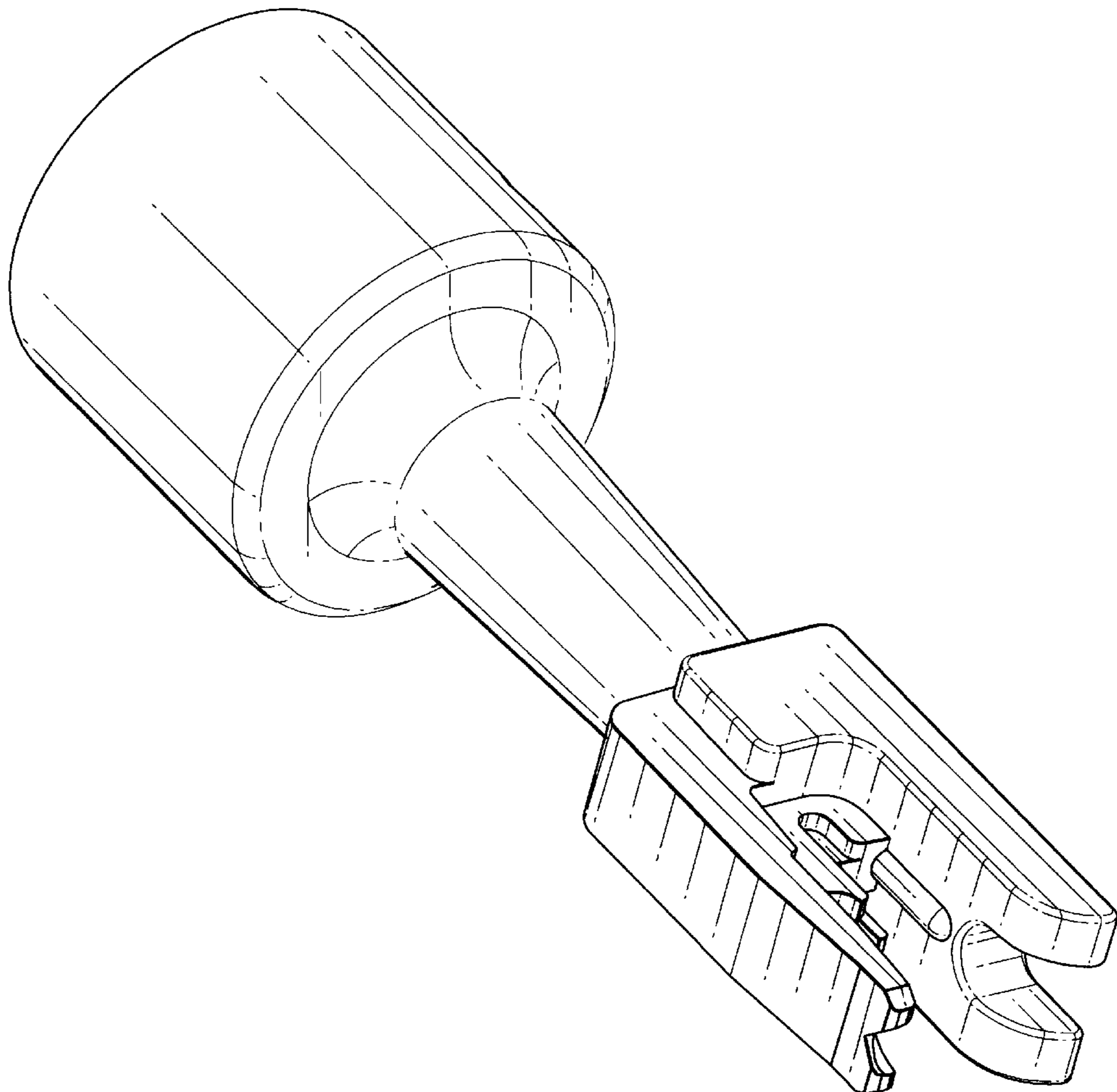
(56) **References Cited**

U.S. PATENT DOCUMENTS

D. 412,431 * 8/1999 Sullivan D8/14

D. 429,610 * 8/2000 Fallandy D8/14

1 Claim, 6 Drawing Sheets



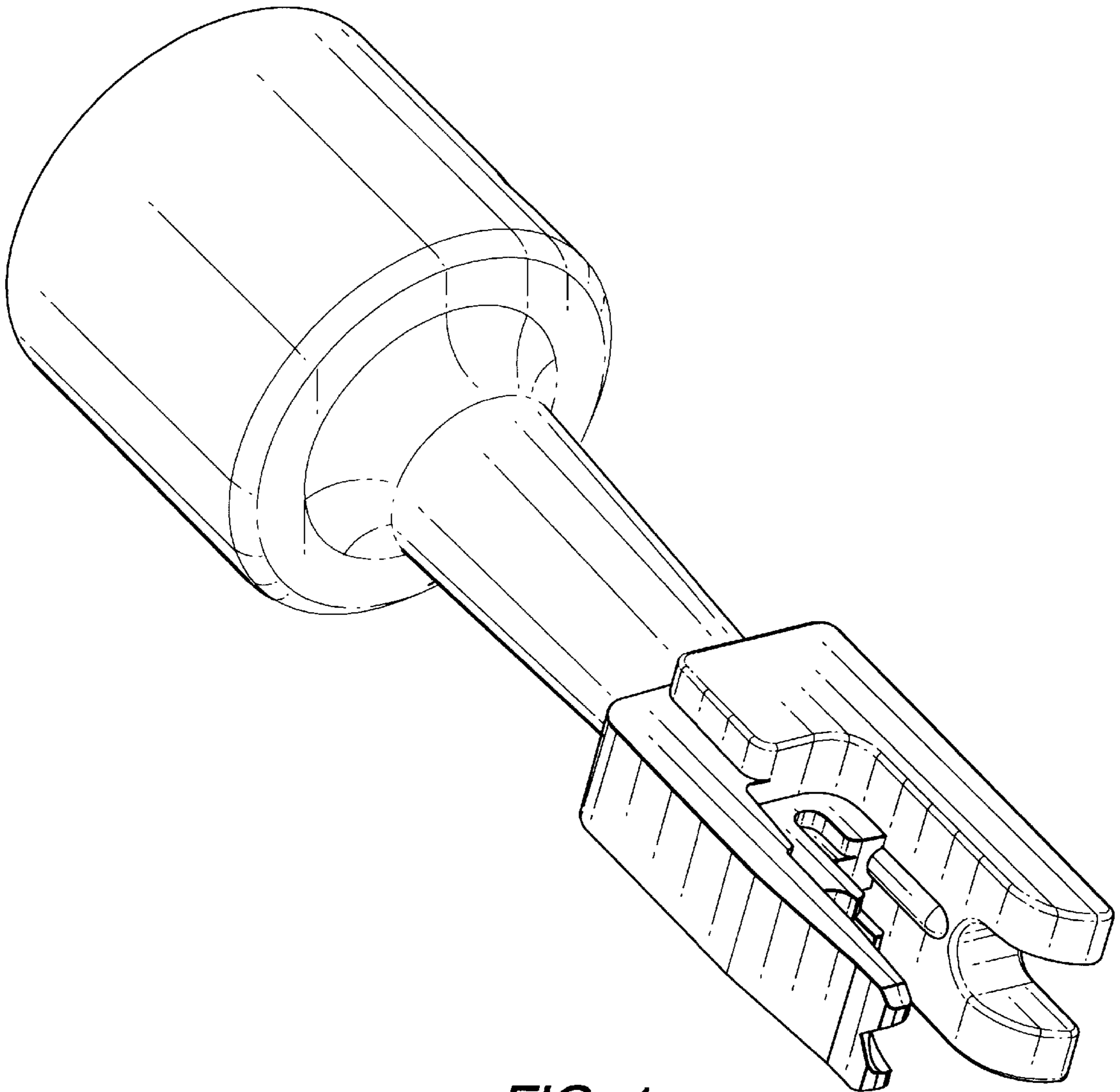


FIG. 1

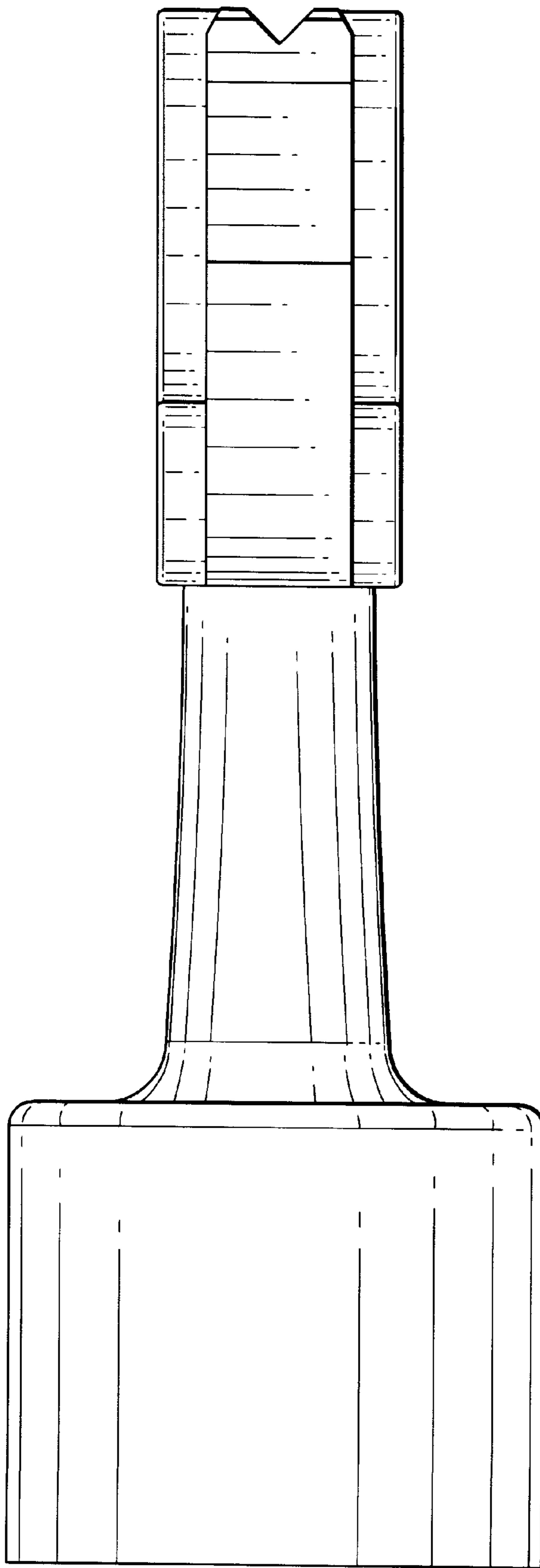


FIG. 2

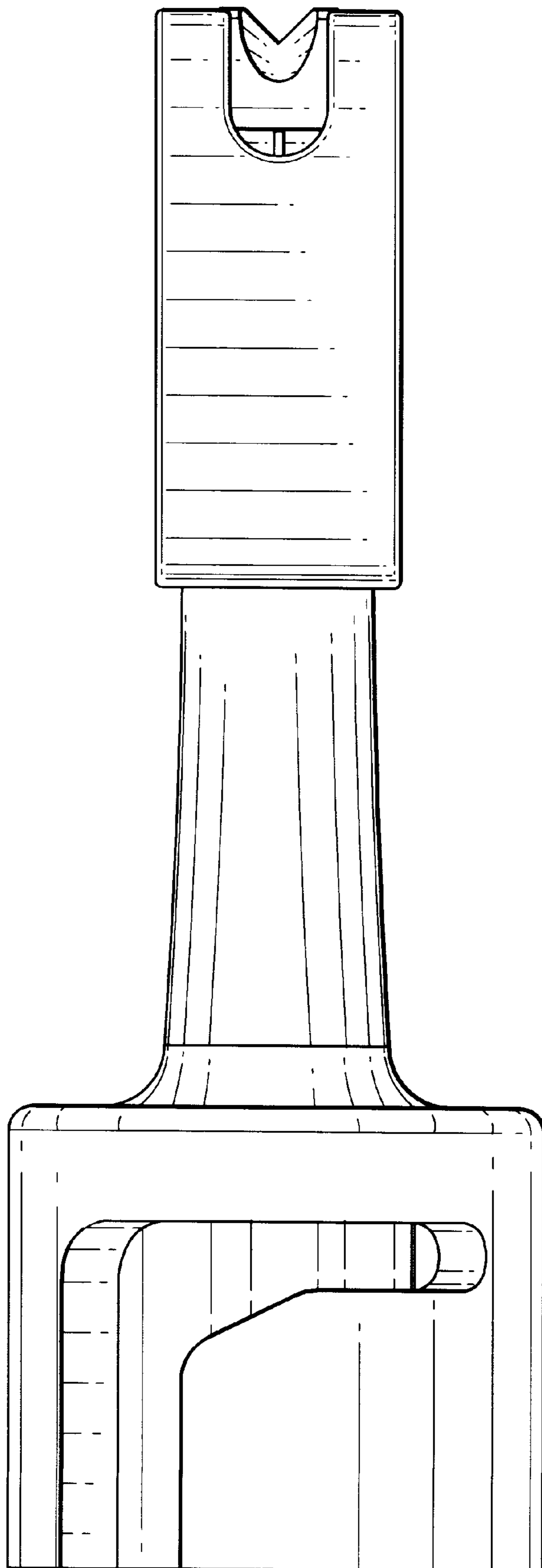


FIG. 3

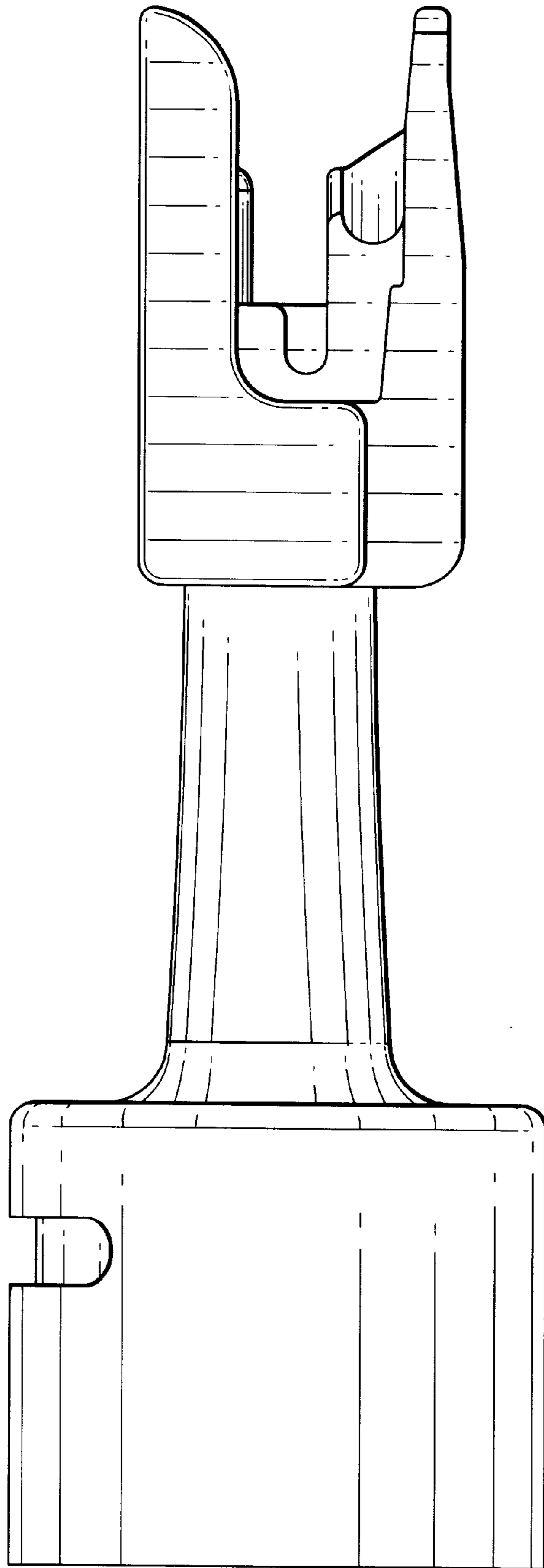


FIG. 4

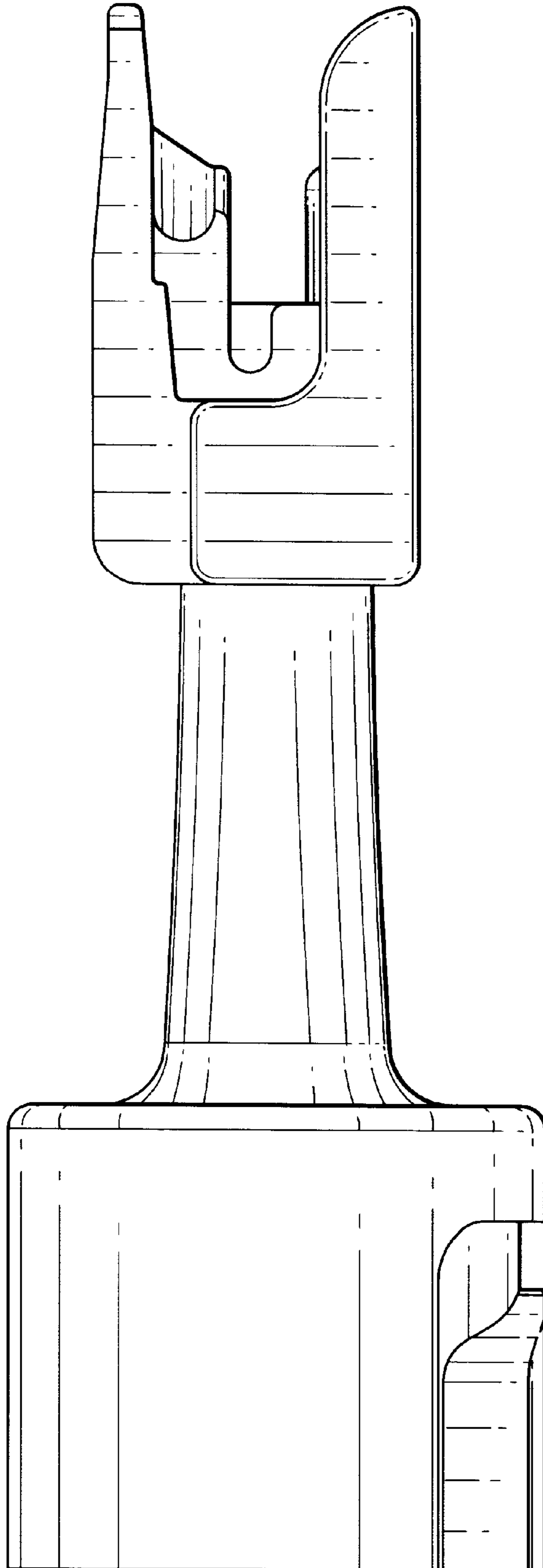


FIG. 5

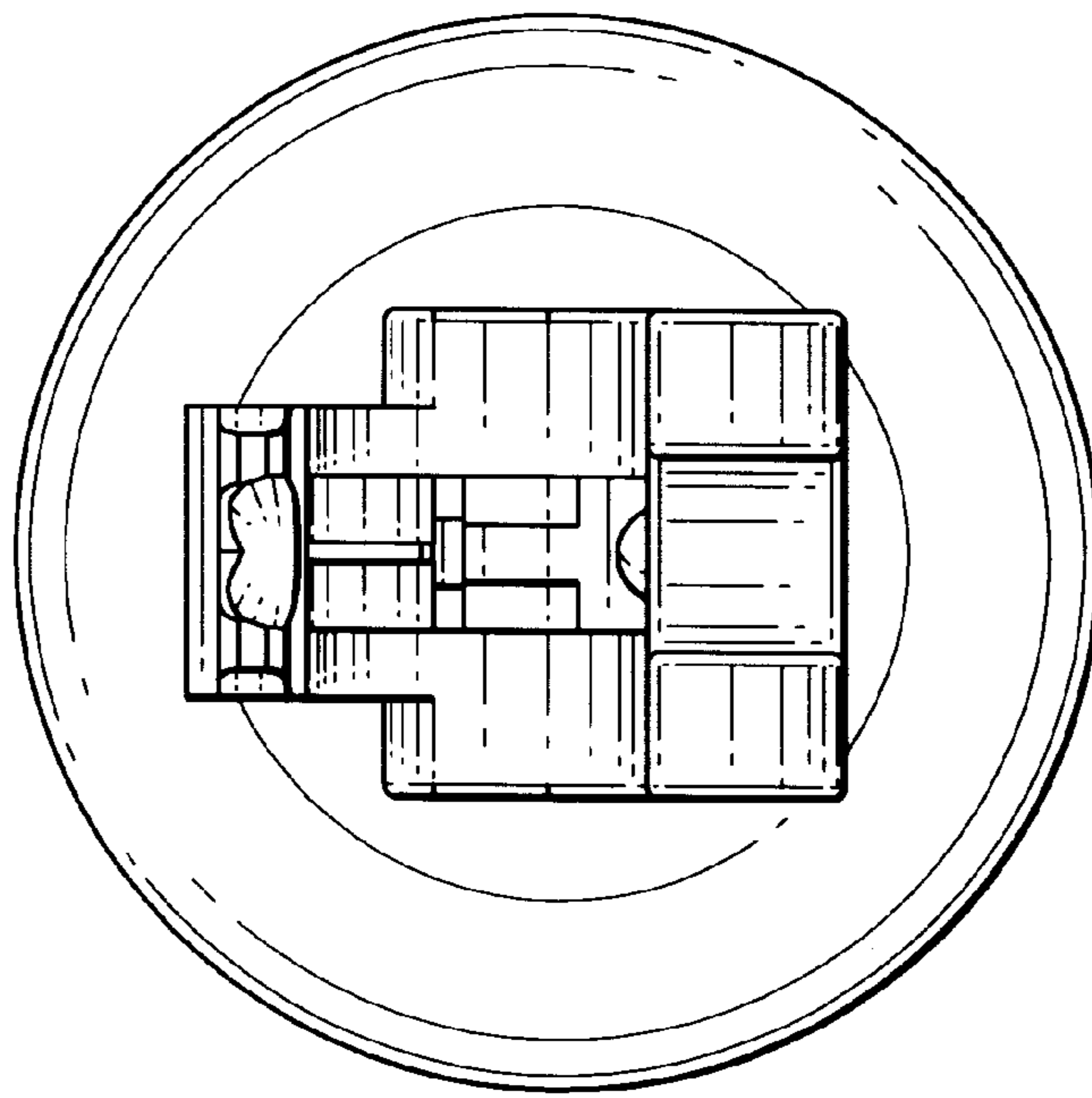


FIG. 6

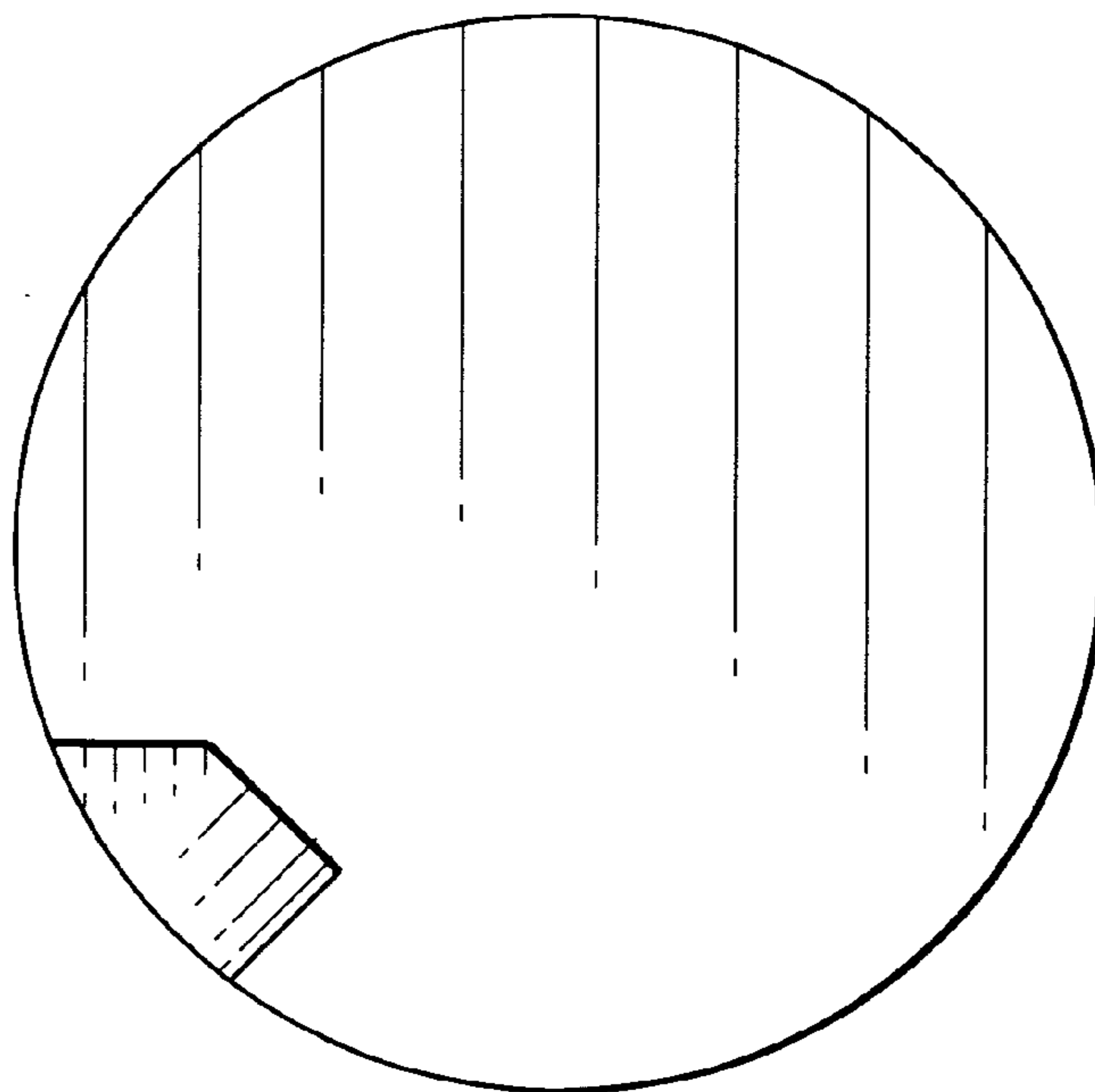


FIG. 7