



US00D442039S

(12) **United States Design Patent**
Yeh

(10) **Patent No.:** **US D442,039 S**

(45) **Date of Patent:** **** May 15, 2001**

(54) **RAKE**

D. 425,384 * 5/2000 Parker D8/13
D. 426,437 * 6/2000 Parker D8/13

(76) Inventor: **Jui-Ju Yeh**, 6 Fl., No. 240, Mai-Chin Rd., Keelung City (TW)

* cited by examiner

(**) Term: **14 Years**

Primary Examiner—Robin V. Taylor
(74) *Attorney, Agent, or Firm*—Foley & Lardner

(21) Appl. No.: **29/127,513**

(57) **CLAIM**

(22) Filed: **Aug. 8, 2000**

The ornamental design for a rake, as shown.

(51) **LOC (7) Cl.** **08-01**

DESCRIPTION

(52) **U.S. Cl.** **D8/13**

(58) **Field of Search** D8/1, 10-13; 56/400.21, 56/400.05, 400.04, 400.17; 294/49, 52

FIG. 1 is a perspective view of a rake, showing my new design;

FIG. 2 is a front elevational view thereof;

FIG. 3 is a rear elevational view thereof;

FIG. 4 is a left elevational view thereof;

FIG. 5 is a right elevational view thereof;

FIG. 6 is top plan view thereof; and,

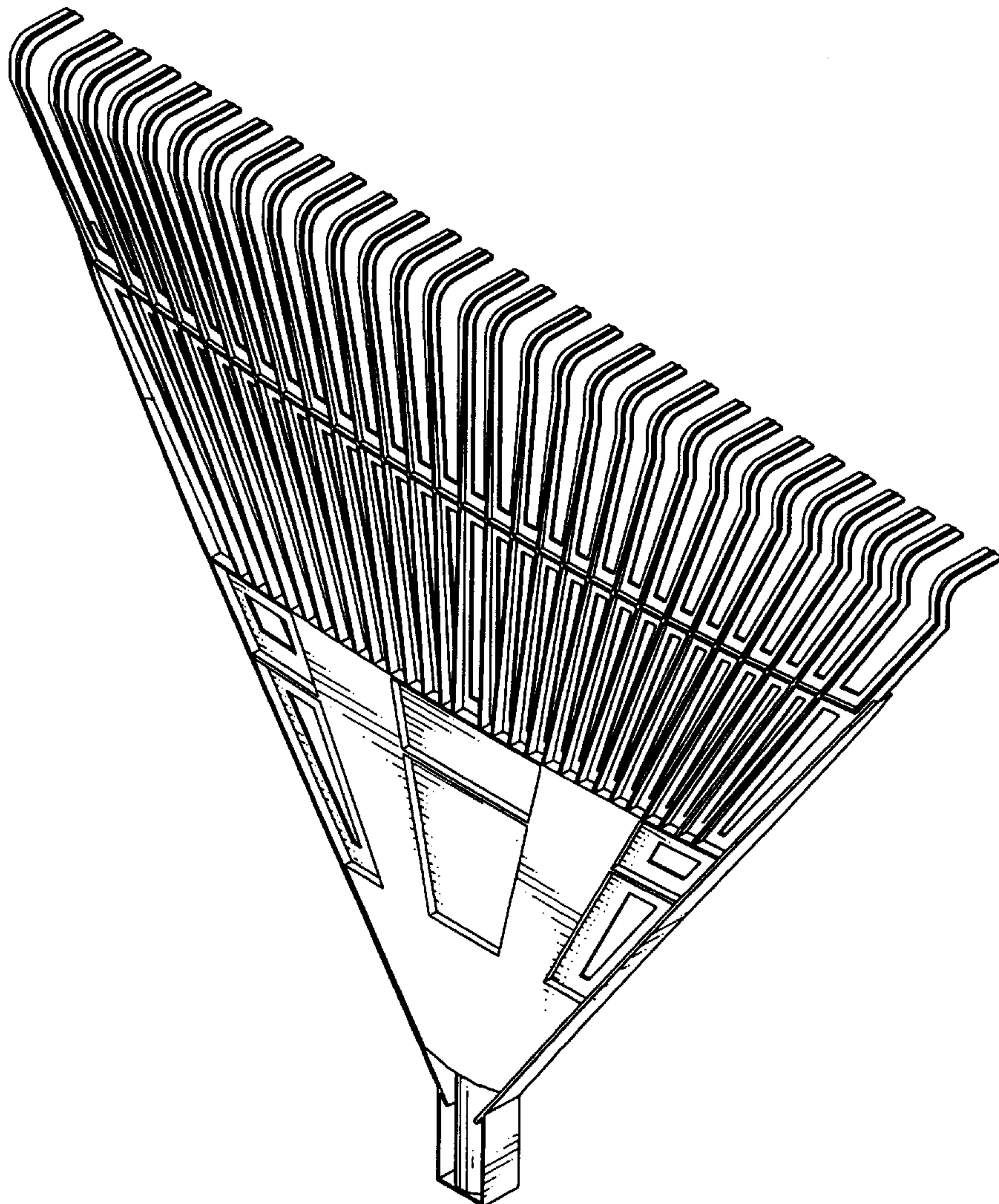
FIG. 7 is a bottom plan view thereof.

(56) **References Cited**

U.S. PATENT DOCUMENTS

- D. 248,612 * 7/1978 Oas D8/13
- D. 298,907 * 12/1988 Bonnes D8/13
- D. 311,310 * 10/1990 Clivio D8/13
- D. 393,786 * 4/1998 Hession D8/13

1 Claim, 7 Drawing Sheets



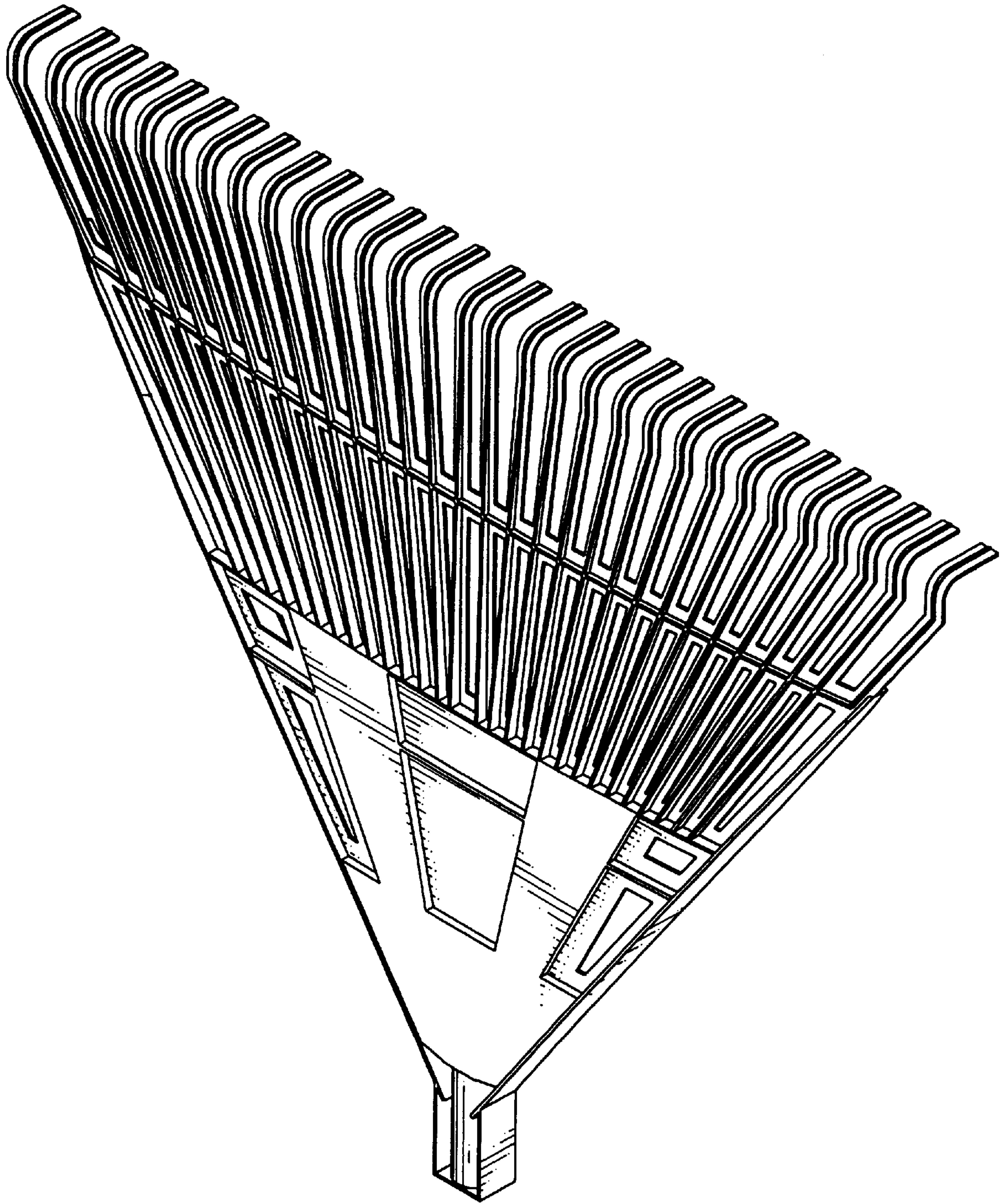


FIG.1

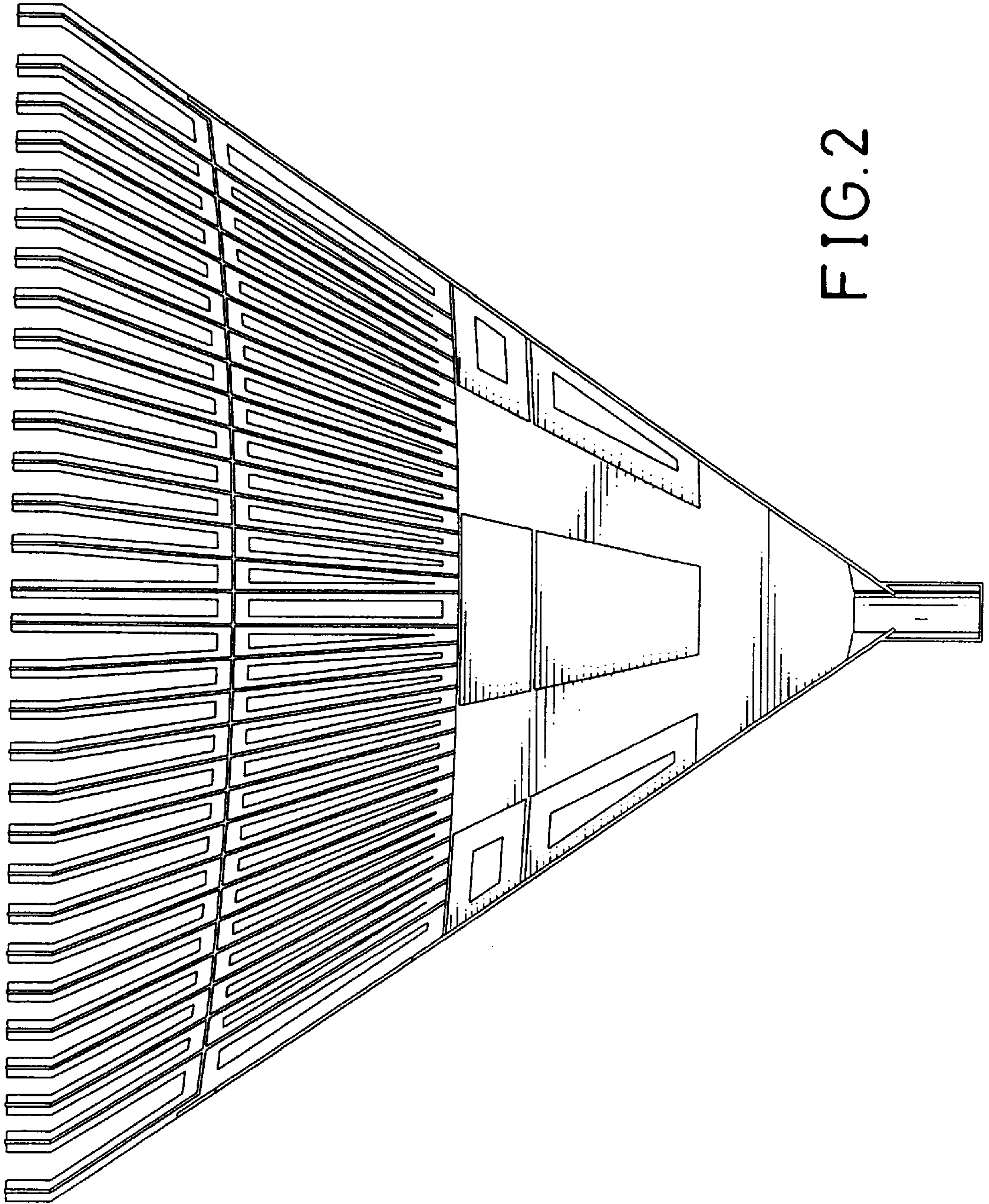


FIG.2

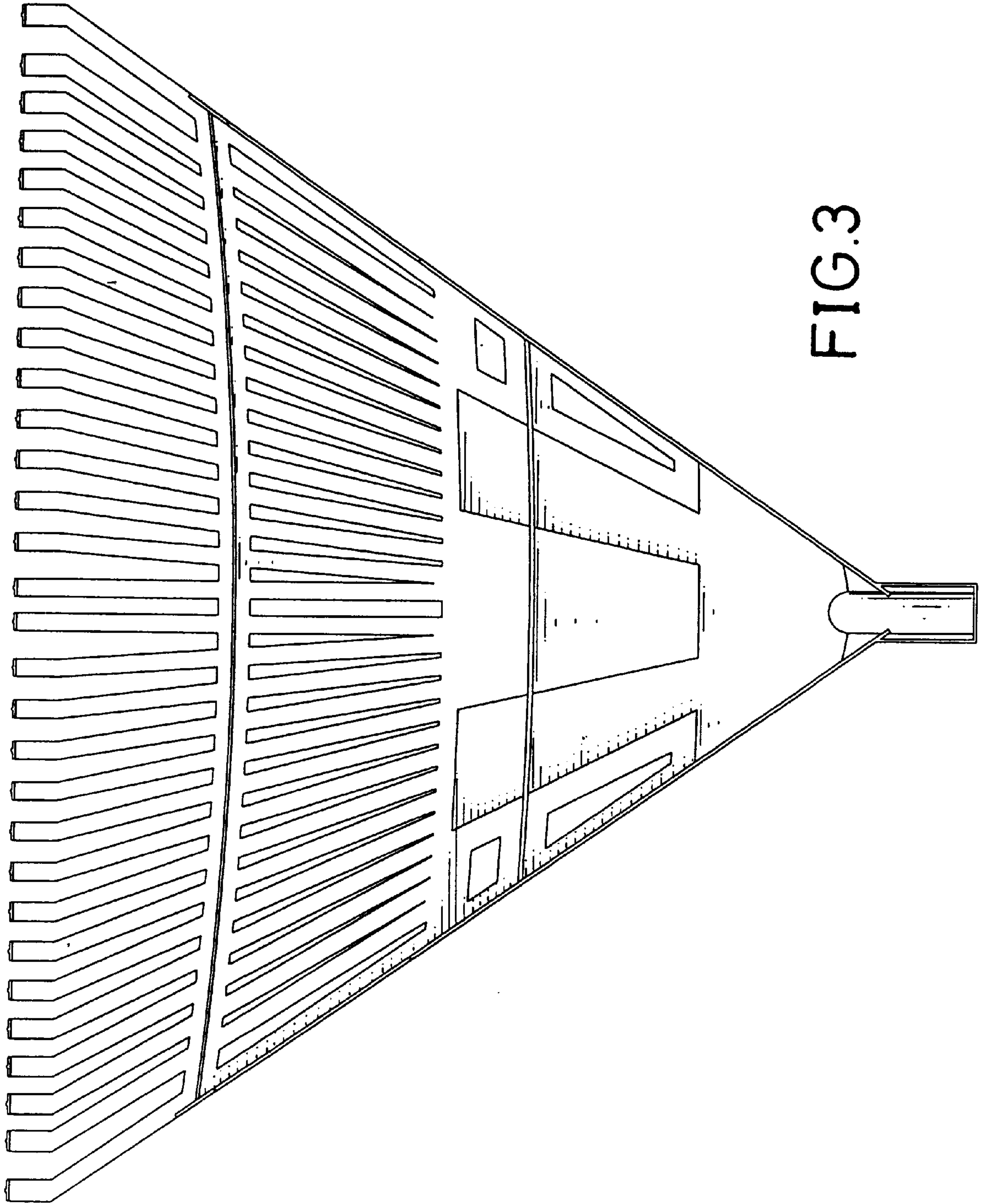


FIG.3

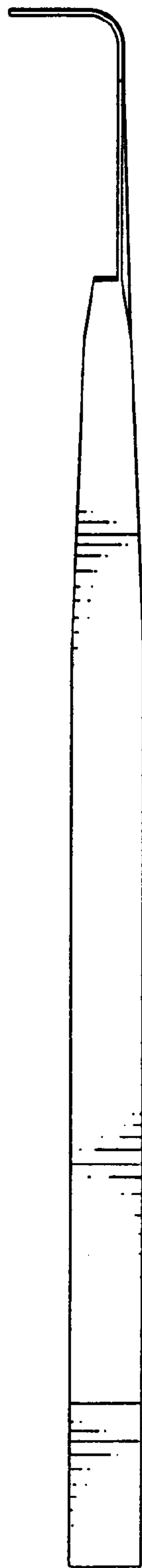


FIG. 4

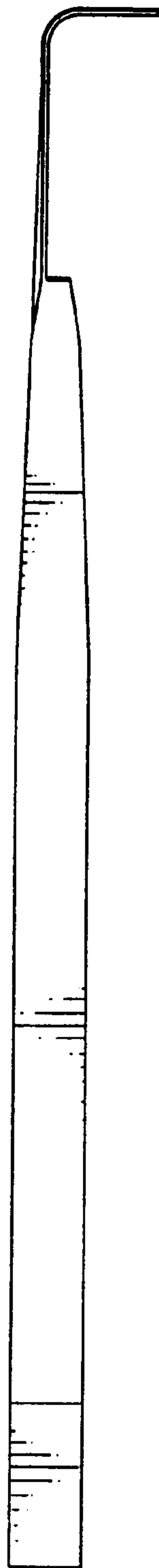


FIG. 5

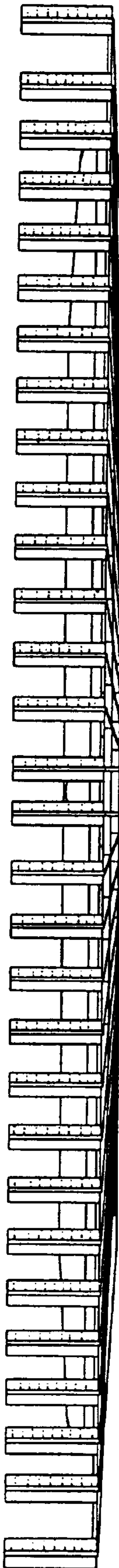


FIG. 6

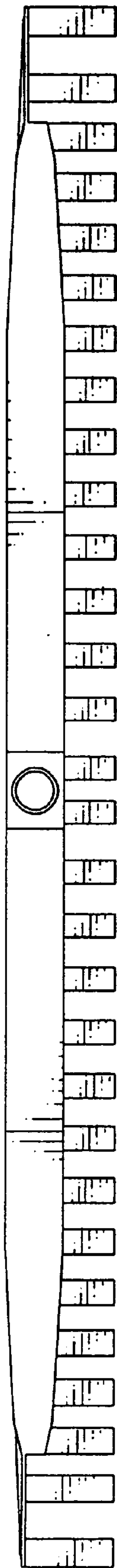


FIG. 7