



US00D442035S

(12) **United States Design Patent**
Wallace

(10) **Patent No.:** **US D442,035 S**

(45) **Date of Patent:** **** May 15, 2001**

(54) **VEGETABLE CLEANING AND PEELING MACHINE**

(75) Inventor: **Joseph E. Wallace**, Creston, IA (US)

(73) Assignee: **Vanmark Corporation**, Creston, IA (US)

(**) Term: **14 Years**

(21) Appl. No.: **29/123,125**

(22) Filed: **May 11, 2000**

(51) **LOC (7) Cl.** **07-04**

(52) **U.S. Cl.** **D7/693**

(58) **Field of Search** D7/381, 693, 695,
D7/673; 30/115-117, 123.5, 279.2, 359;
83/144; 241/95, 168

(56) **References Cited**

U.S. PATENT DOCUMENTS

- D. 128,784 * 8/1941 Linenfelser D7/693
- D. 308,803 * 6/1990 Horton et al. D7/673

* cited by examiner

Primary Examiner—Terry A. Wallace
(74) Attorney, Agent, or Firm—Zarley, McKee, Thomte, Voorhees & Sease

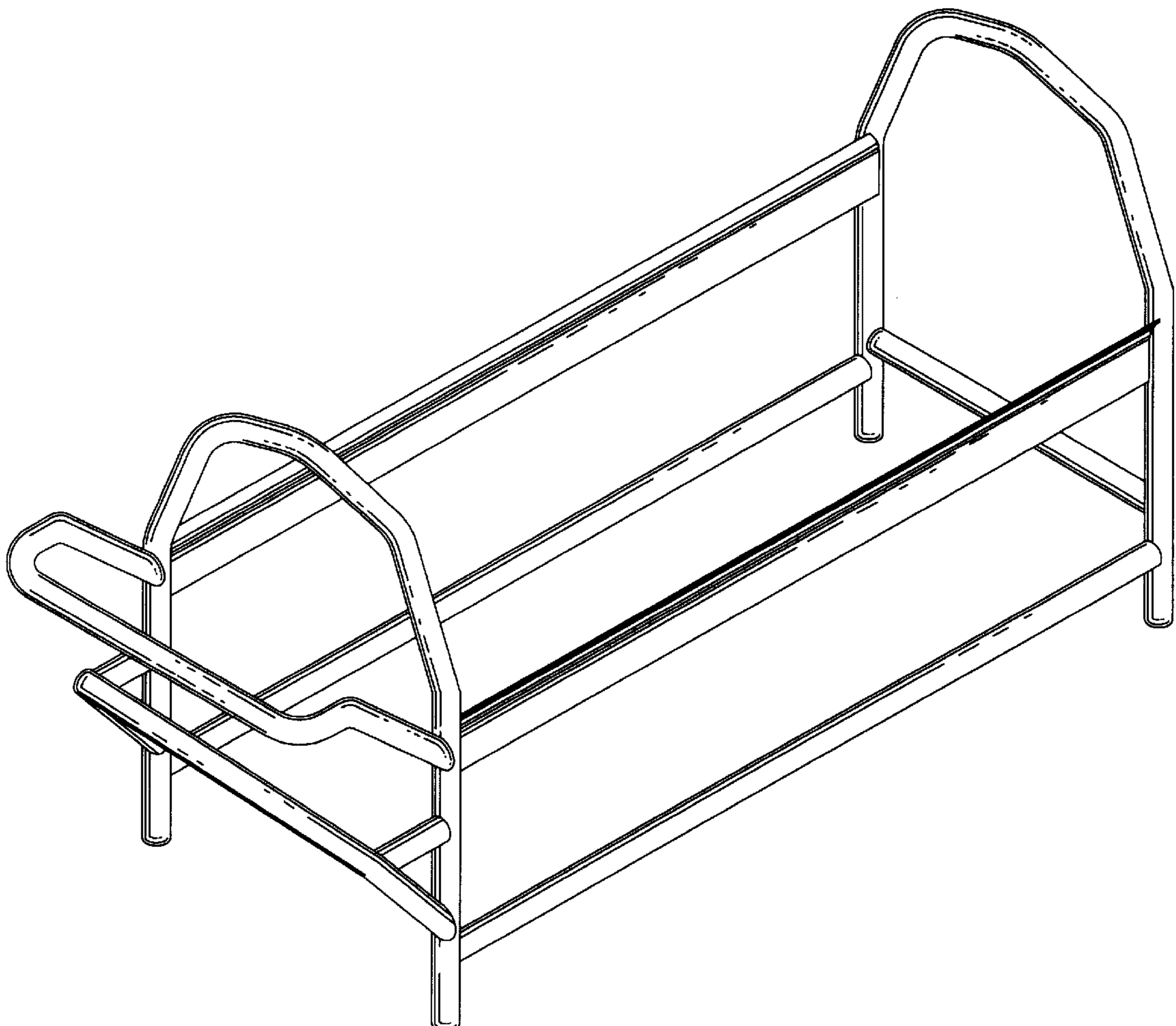
(57) **CLAIM**

I claim the ornamental design for a vegetable cleaning and peeling machine, as shown.

DESCRIPTION

FIG. 1 is a perspective view of a vegetable cleaning and peeling machine showing my new design;
 FIG. 2 is a side elevational view thereof as seen from the righthand side of FIG. 1;
 FIG. 3 is a side elevational view thereof as seen from the lefthand side of FIG. 1;
 FIG. 4 is an end view thereof as seen from the lefthand end of FIG. 2;
 FIG. 5 is an end view thereof as seen from the righthand end of FIG. 2; and,
 FIG. 6 is a top view thereof.

1 Claim, 4 Drawing Sheets



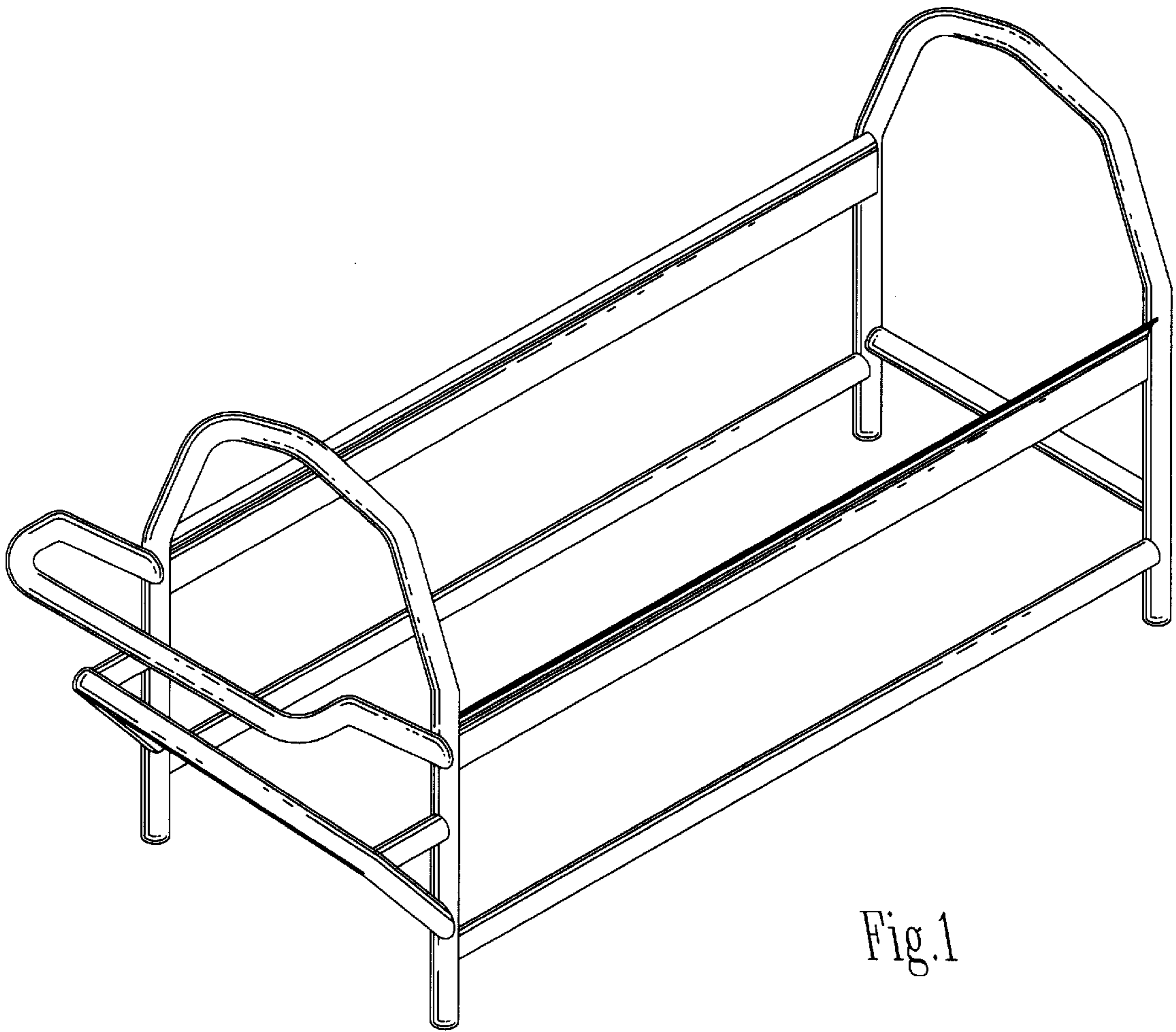


Fig. 1

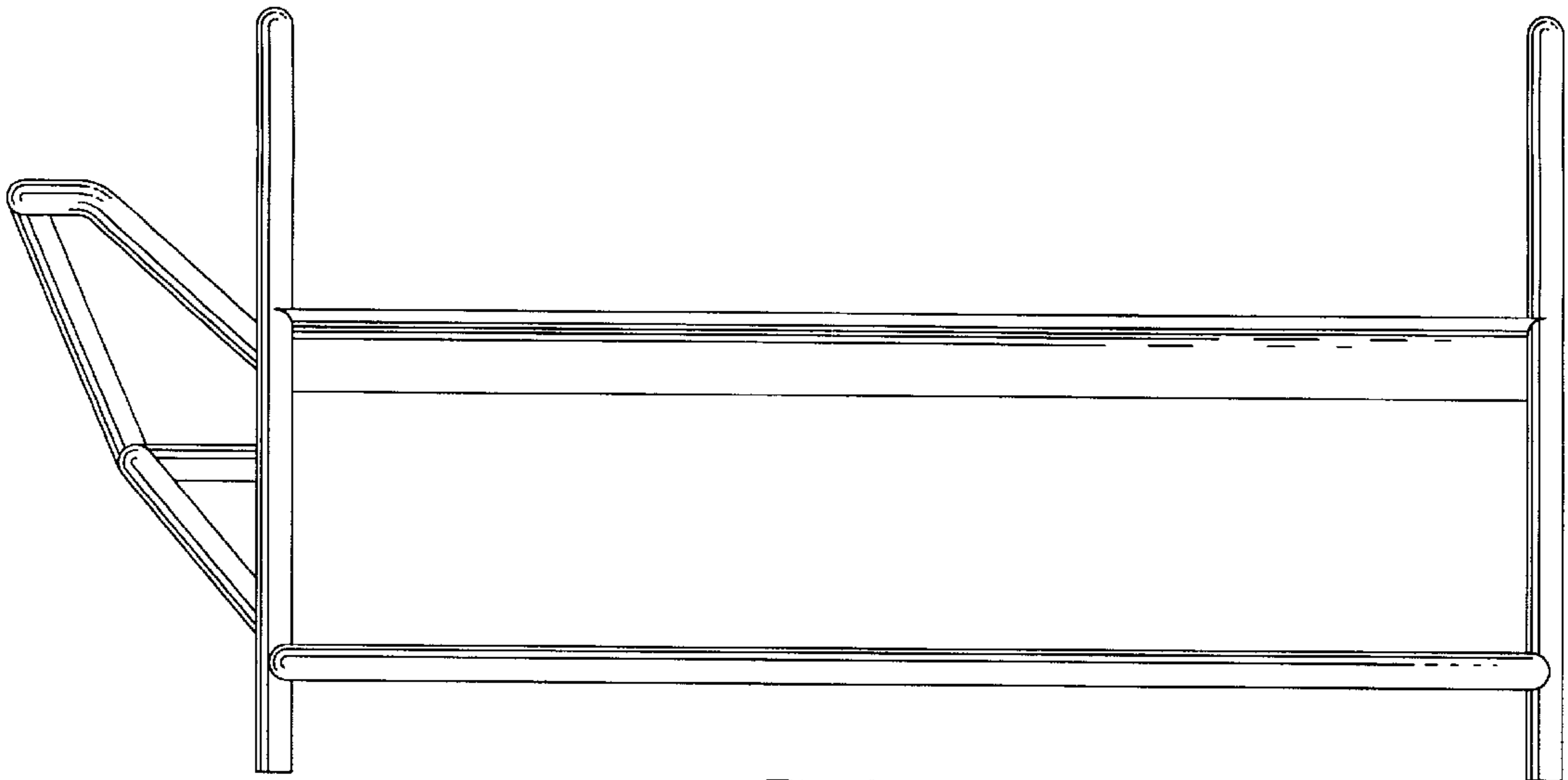


Fig.2

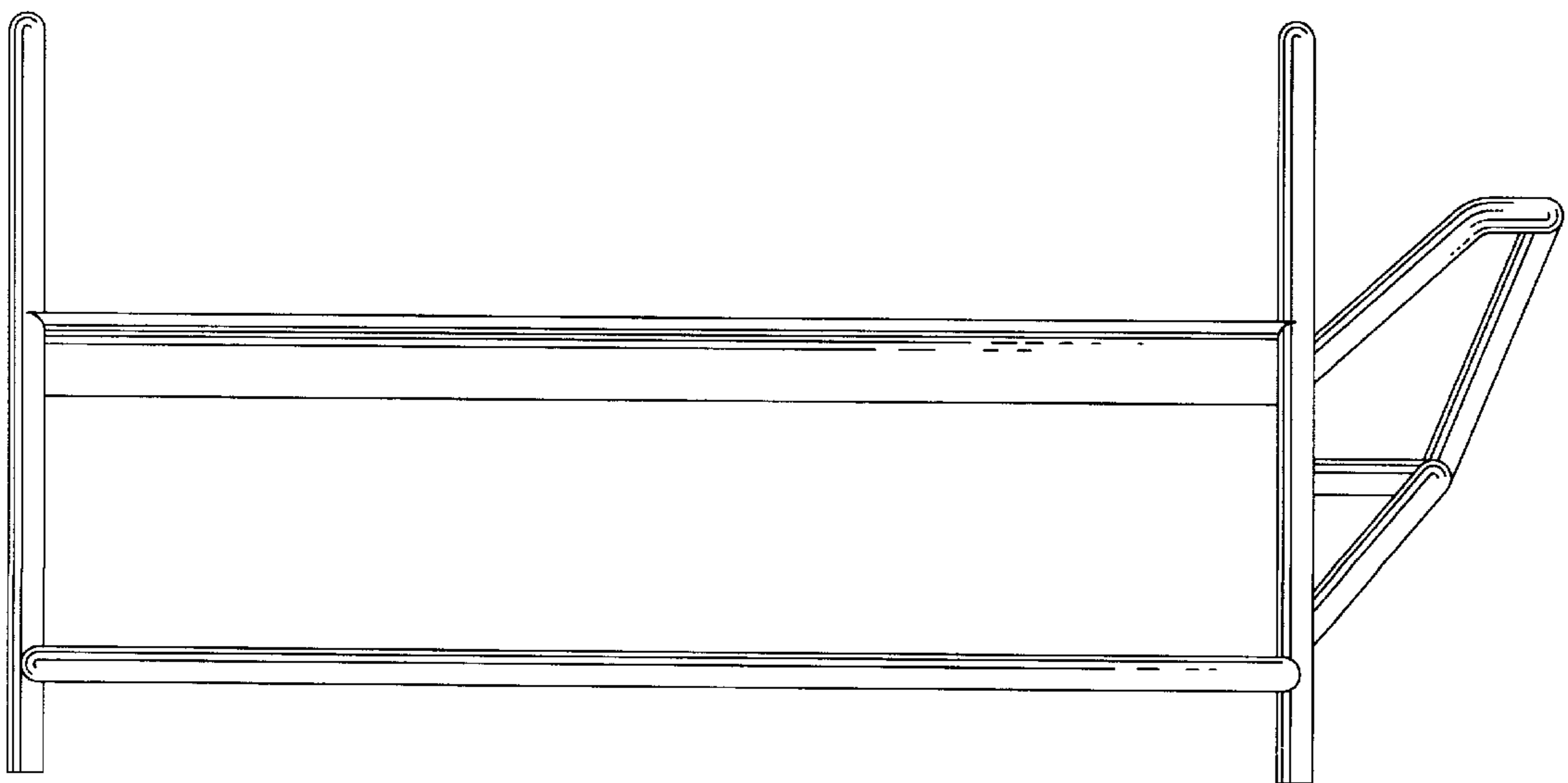


Fig.3

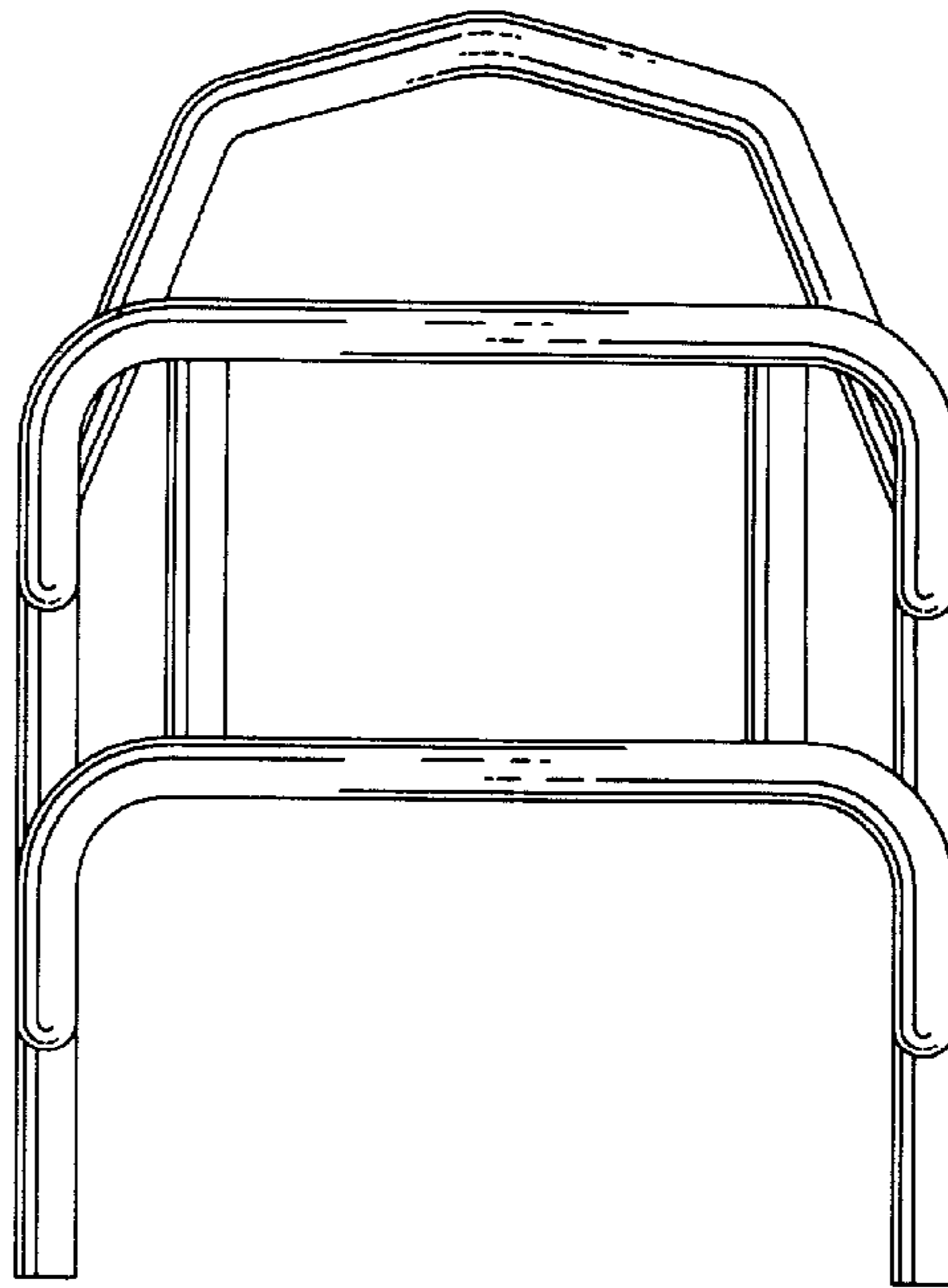


Fig.4

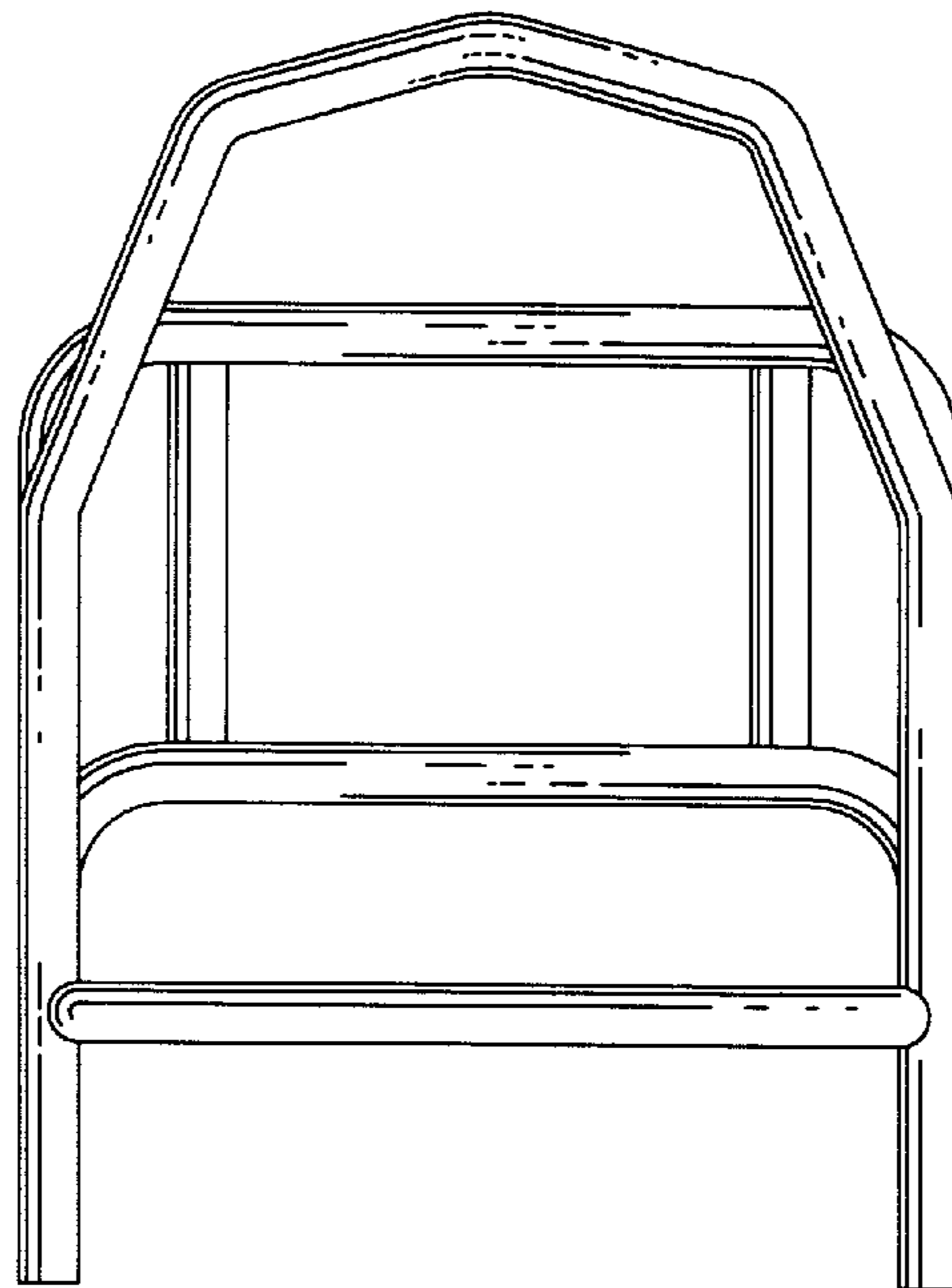


Fig.5

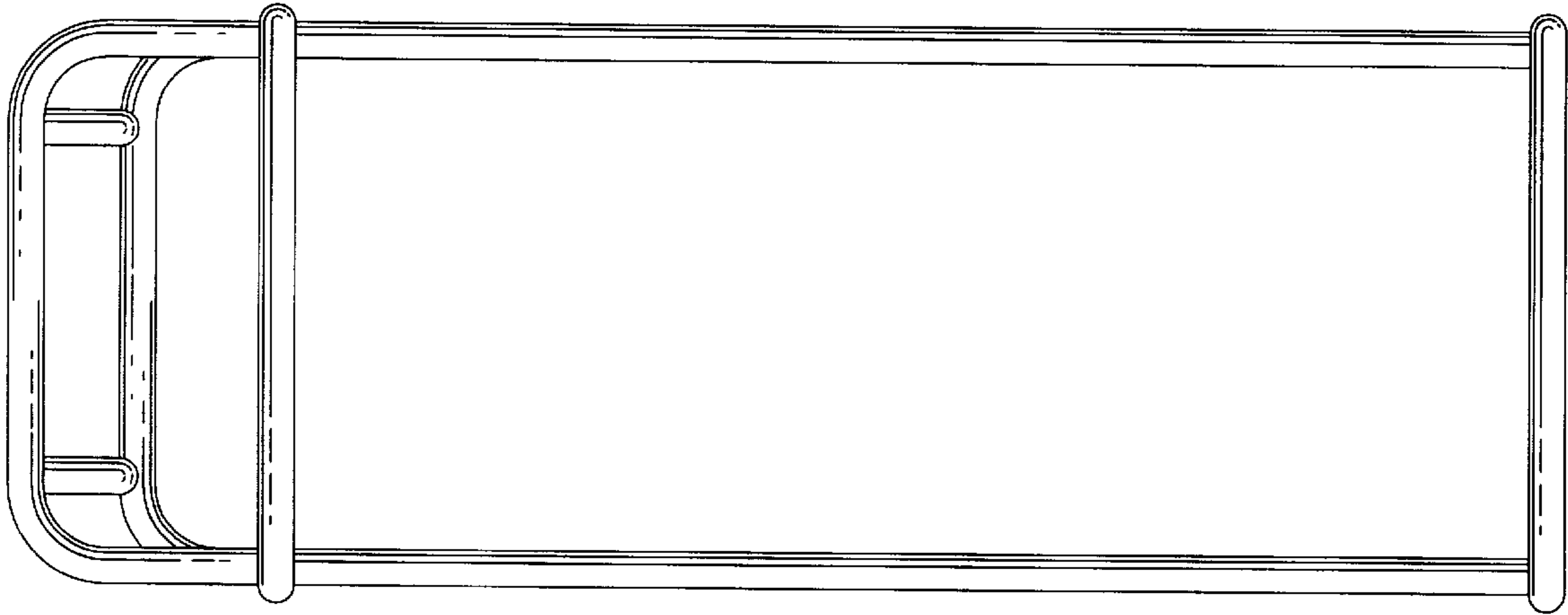


FIG. 6