



US00D442033S

(12) **United States Design Patent**  
**de Saint-Genois**

(10) **Patent No.:** **US D442,033 S**

(45) **Date of Patent:** **\*\* May 15, 2001**

(54) **KITCHEN UTENSIL**

D. 406,018 \* 2/1999 Zirbes ..... D7/673  
4,038,892 \* 8/1977 Popeil ..... 83/425.3 X

(75) Inventor: **Arnaud de Saint-Genois**, Paris (FR)

\* cited by examiner

(73) Assignee: **Matfer & Cia - Societe Anonyme de  
Distribution de Productions  
Francaises et Etrangeres Export  
Import**, Les Lilas (FR)

*Primary Examiner*—Terry A. Wallace  
(74) *Attorney, Agent, or Firm*—Baker Botts L.L.P.

(\*\*) Term: **14 Years**

(57) **CLAIM**

The ornamental design for a kitchen utensil, as shown and described.

(21) Appl. No.: **29/123,383**

**DESCRIPTION**

(22) Filed: **May 17, 2000**

(30) **Foreign Application Priority Data**

Nov. 18, 1999 (FR) ..... 99/7107

(51) **LOC (7) Cl.** ..... **07-04**

(52) **U.S. Cl.** ..... **D7/673**

(58) **Field of Search** ..... D7/381, 412, 368,  
D7/673, 693; 241/95, 100, 168, 257.1,  
273.1–273.4; 83/144, 425, 644, 669, 846,  
856, 857, 932

FIG. 1 is a left side elevational view of an embodiment of a kitchen utensil according to the new design;  
FIG. 2 is a right side elevational view of the embodiment shown in FIG. 1;  
FIG. 3 is a perspective view of the embodiment shown in FIGS. 1 and 2, showing it from a viewpoint above, in front, and to the left;  
FIG. 4 is a top plan view of the embodiment shown in FIGS. 1 to 3;  
FIG. 5 is a bottom plan view of the embodiment shown in FIGS. 1 to 4;  
FIG. 6 is a rear elevational view of the embodiment shown in FIGS. 1 to 5; and,  
FIG. 7 is a front elevational view of the embodiment shown in FIGS. 1 to 6.

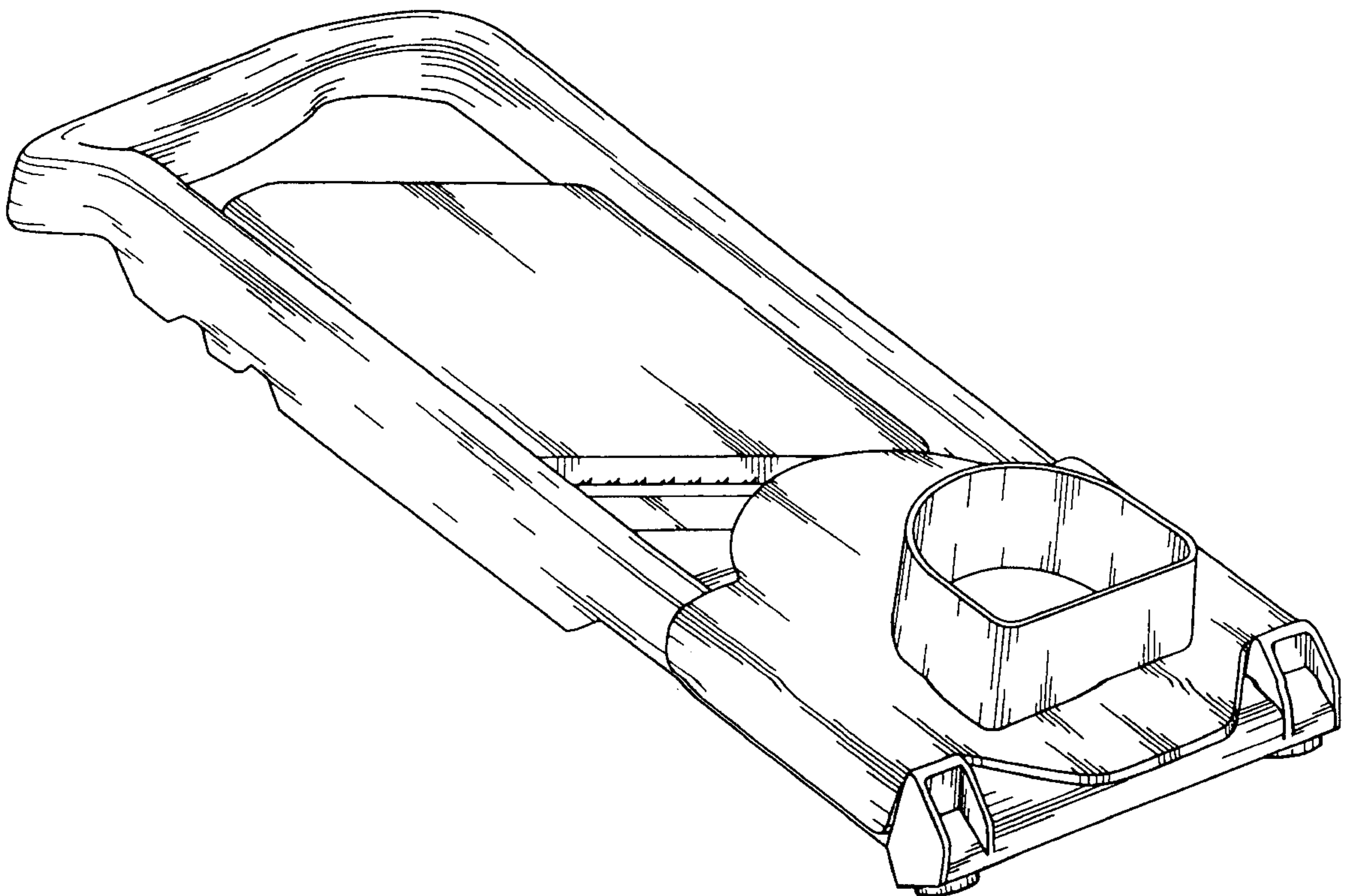
(56) **References Cited**

**U.S. PATENT DOCUMENTS**

D. 268,562 \* 4/1983 Bright ..... D7/381

D. 326,388 \* 5/1992 Boerner ..... D7/381

**1 Claim, 7 Drawing Sheets**



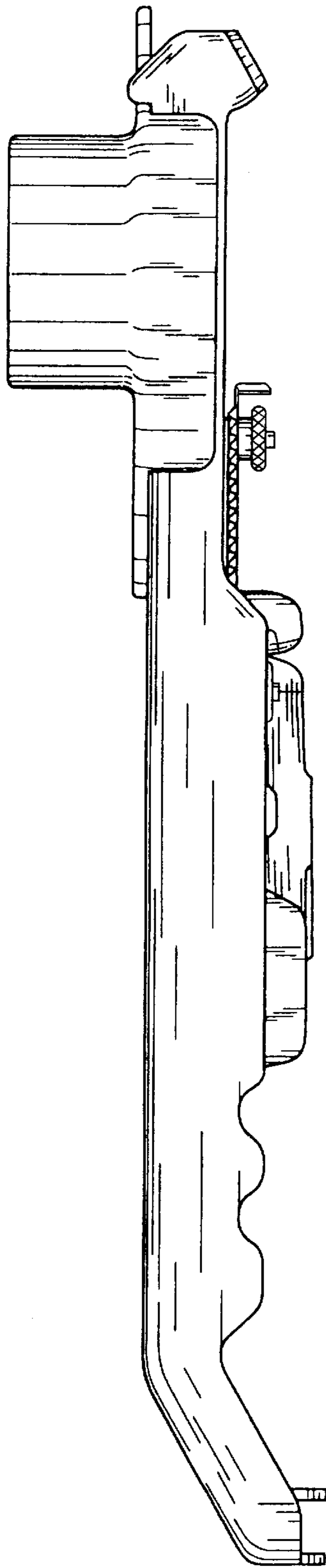


FIG. 1

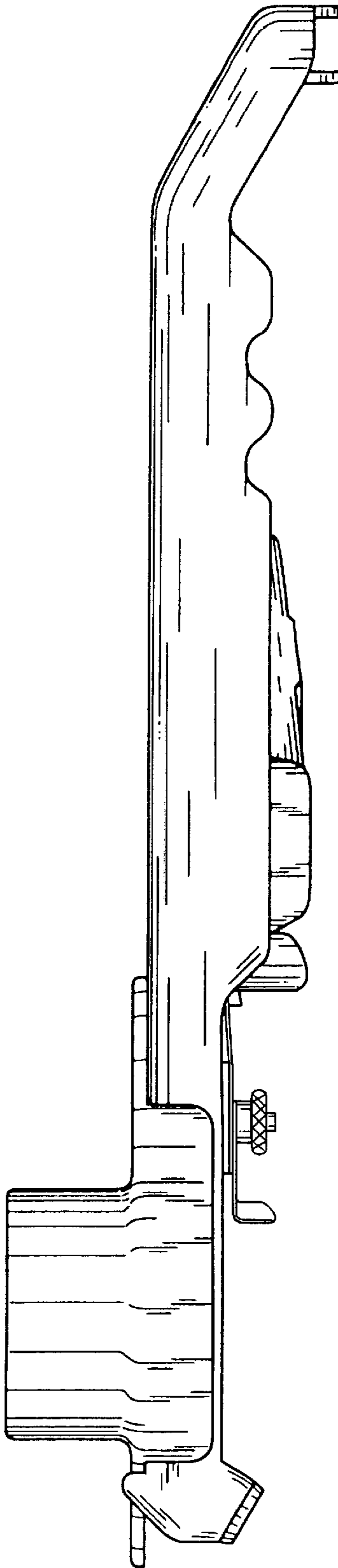


FIG. 2

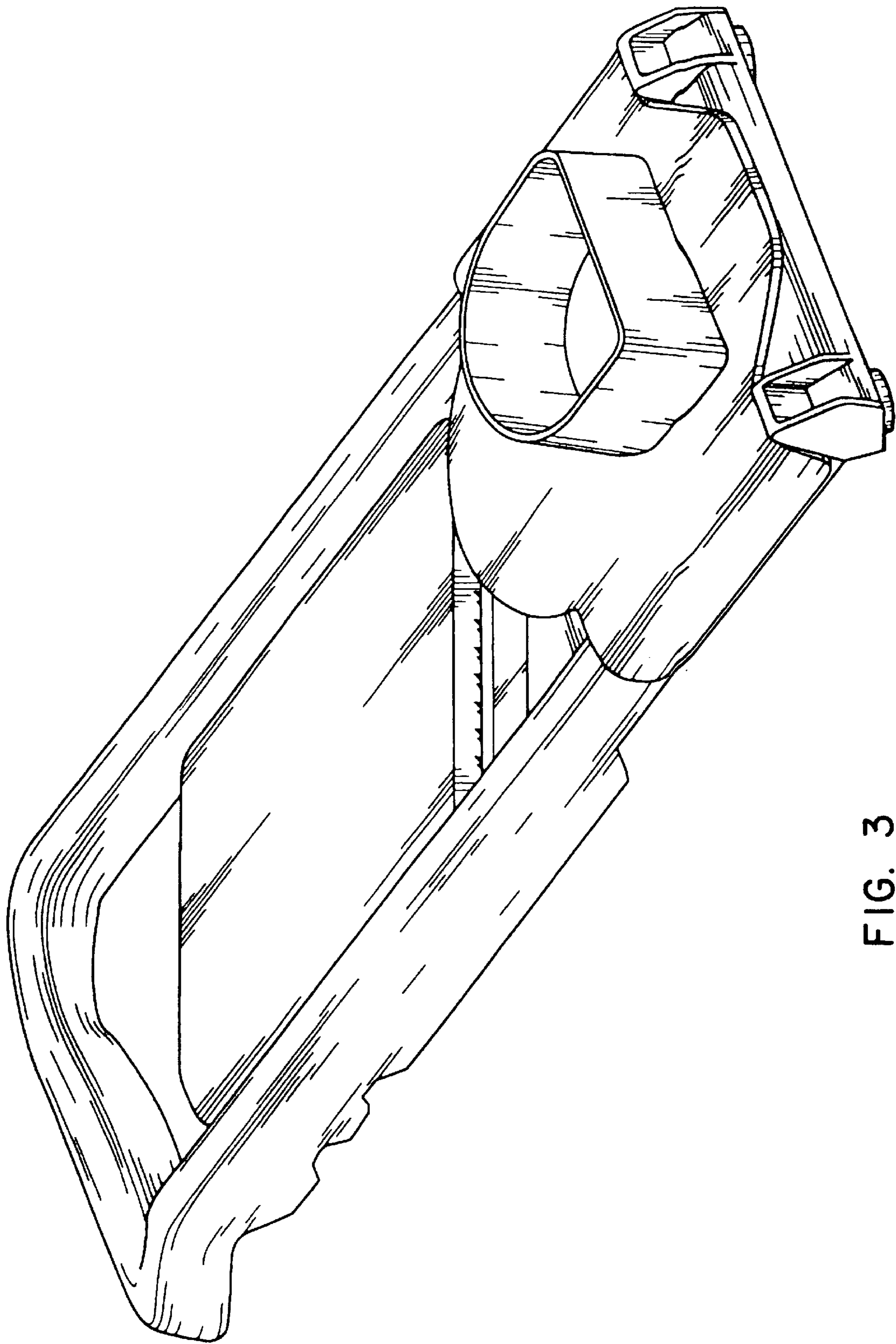


FIG. 3

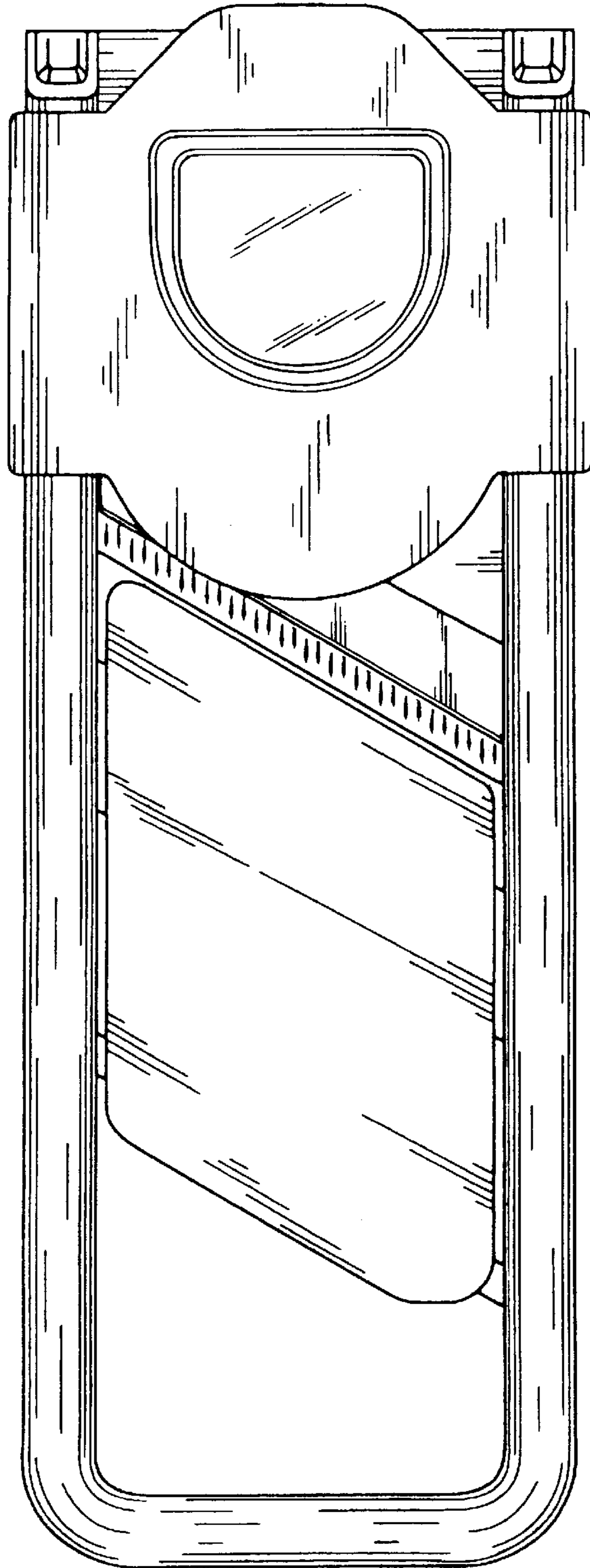


FIG. 4

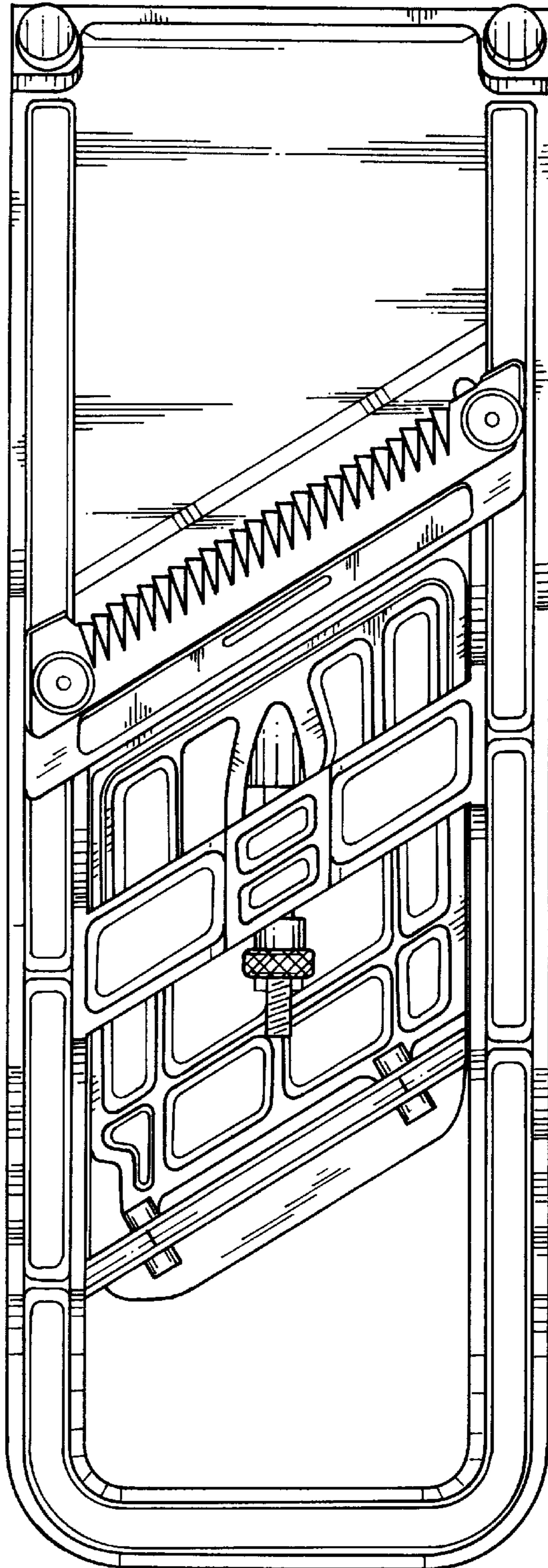


FIG. 5

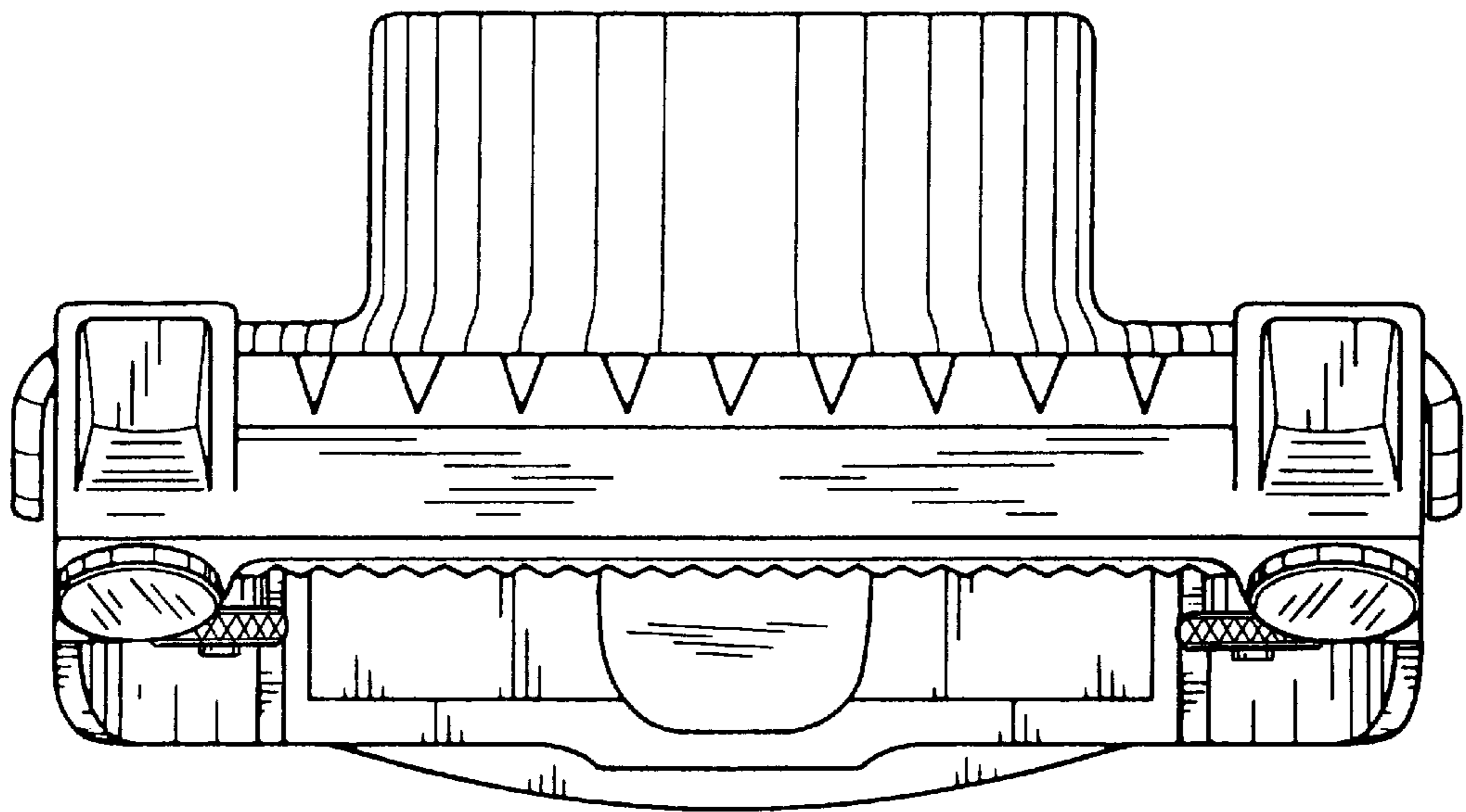


FIG. 6

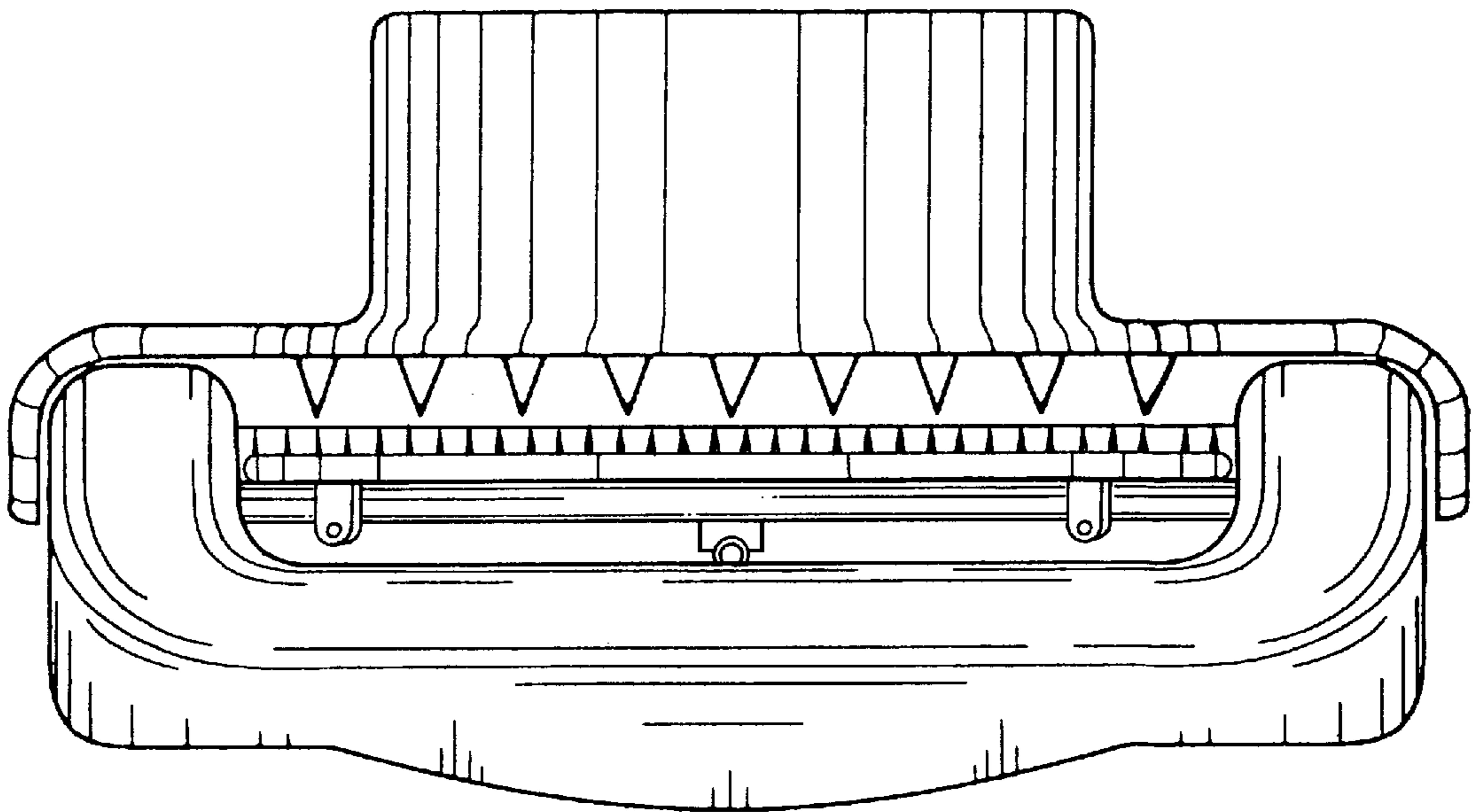


FIG. 7