



US00D442029S

(12) **United States Design Patent**  
**Otake**

(10) **Patent No.:** **US D442,029 S**

(45) **Date of Patent:** **\*\* May 15, 2001**

(54) **CUP WITH LID**

(75) **Inventor:** **Yasuo Otake**, Huntington Beach, CA  
(US)

(73) **Assignee:** **Nippon Sanso Corporation**, Tokyo  
(JP)

(\*\*) **Term:** **14 Years**

(21) **Appl. No.:** **29/115,599**

(22) **Filed:** **Dec. 20, 1999**

(30) **Foreign Application Priority Data**

Aug. 9, 1999 (JP) ..... 11-21405

(51) **LOC (7) Cl.** ..... **07-01**

(52) **U.S. Cl.** ..... **D7/510; D7/511**

(58) **Field of Search** ..... **D7/507, 509, 510,**  
**D7/511, 532, 533; 220/715, 713**

(56) **References Cited**

**U.S. PATENT DOCUMENTS**

- D. 274,695 \* 7/1984 Kennedy ..... D9/503
- D. 290,323 \* 6/1987 Weernink ..... D7/511
- D. 322,218 \* 12/1991 Lynd ..... D9/556
- D. 322,224 \* 12/1991 Miner ..... D7/511
- D. 396,381 \* 7/1998 Chung ..... D7/510
- D. 404,613 \* 1/1999 Hatsumoto et al. .... D7/510
- D. 410,174 \* 5/1999 Sheu ..... D7/510

- D. 412,088 \* 7/1999 Otake ..... D7/510
- D. 417,591 \* 12/1999 Roehrig ..... D7/510
- D. 429,959 \* 8/2000 Otake ..... D7/510
- D. 431,159 \* 9/2000 Otake ..... D7/510
- D. 432,865 \* 10/2000 Cohen ..... D7/510

\* cited by examiner

*Primary Examiner*—M. N. Pandozzi

(74) *Attorney, Agent, or Firm*—Armstrong, Westerman,  
Hattori, McLeland & Naughton, LLP

(57) **CLAIM**

I claim the ornamental design for the cup with lid, as shown  
and described.

**DESCRIPTION**

FIG. 1 is a perspective view of a cup with lid showing my  
new design;  
FIG. 2 is a front elevational view thereof, the opposite side  
being a mirror image thereof;  
FIG. 3 is a left side elevational view thereof, the opposite  
side being a mirror image thereof;  
FIG. 4 is a top plan view thereof;  
FIG. 5 is a bottom plan view thereof;  
FIG. 6 is a cross-sectional view thereof taken along line  
6—6 of FIG. 4; and,  
FIG. 7 is a cross-sectional view thereof taken along line  
7—7 of FIG. 2.

**1 Claim, 4 Drawing Sheets**

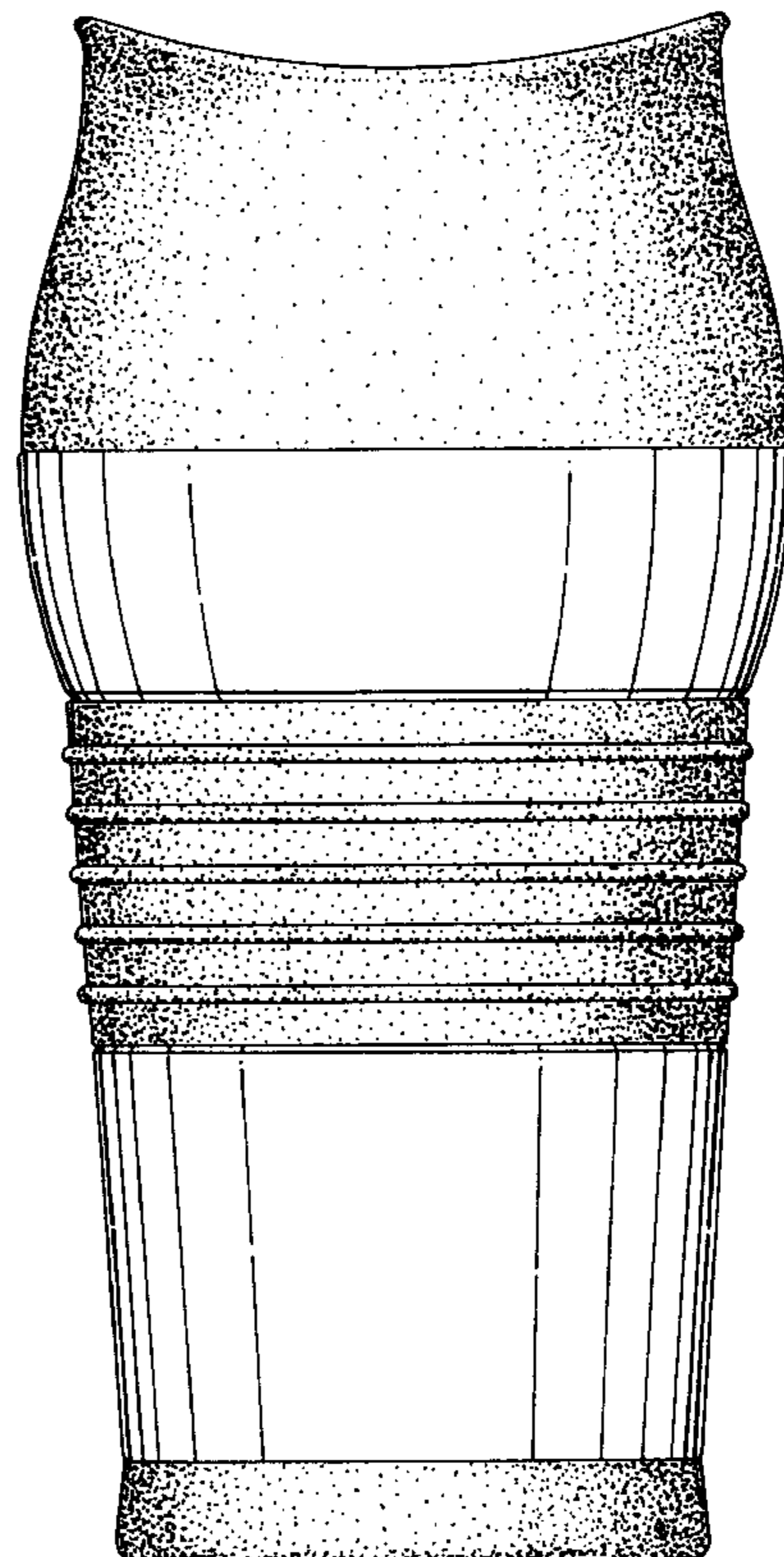
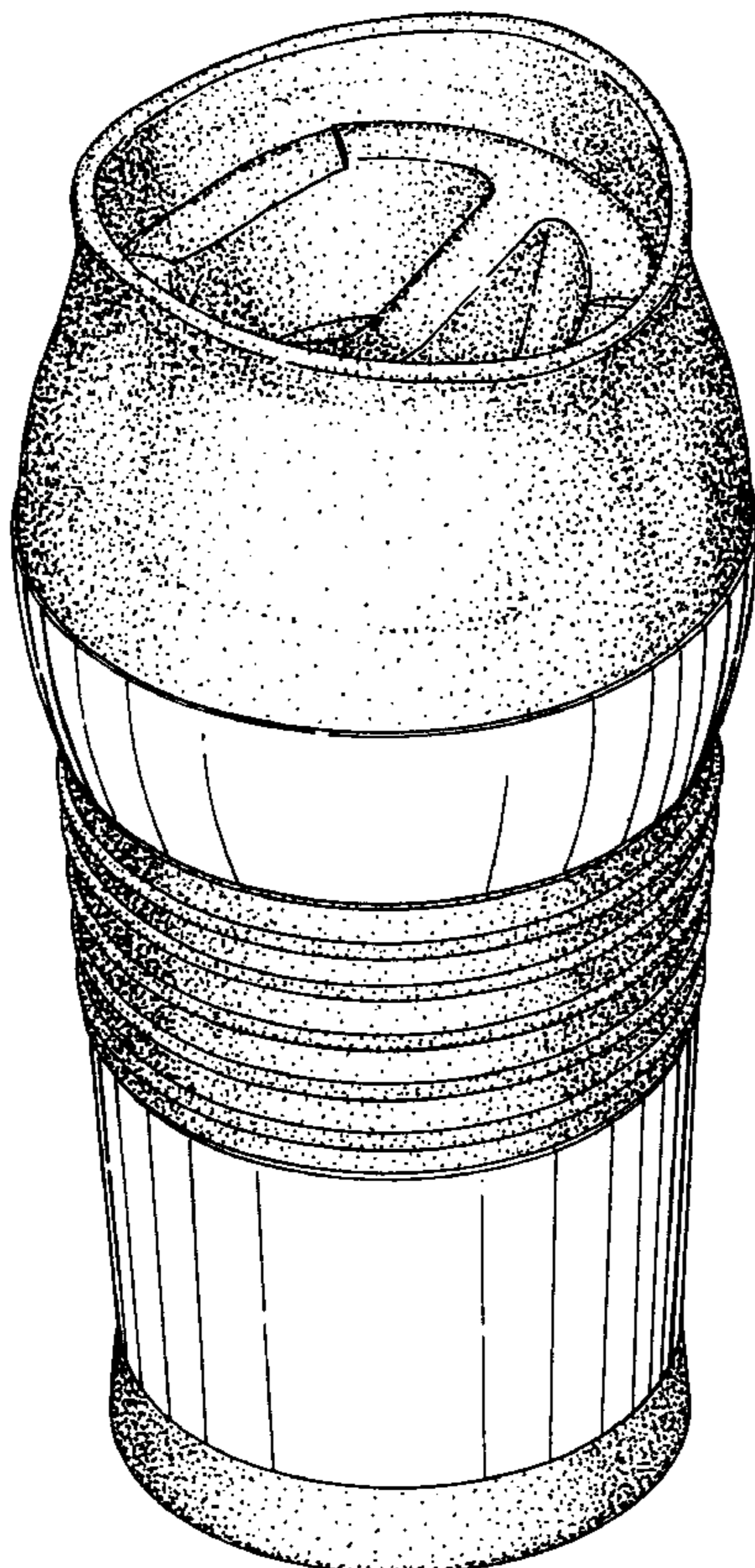


FIG. 1

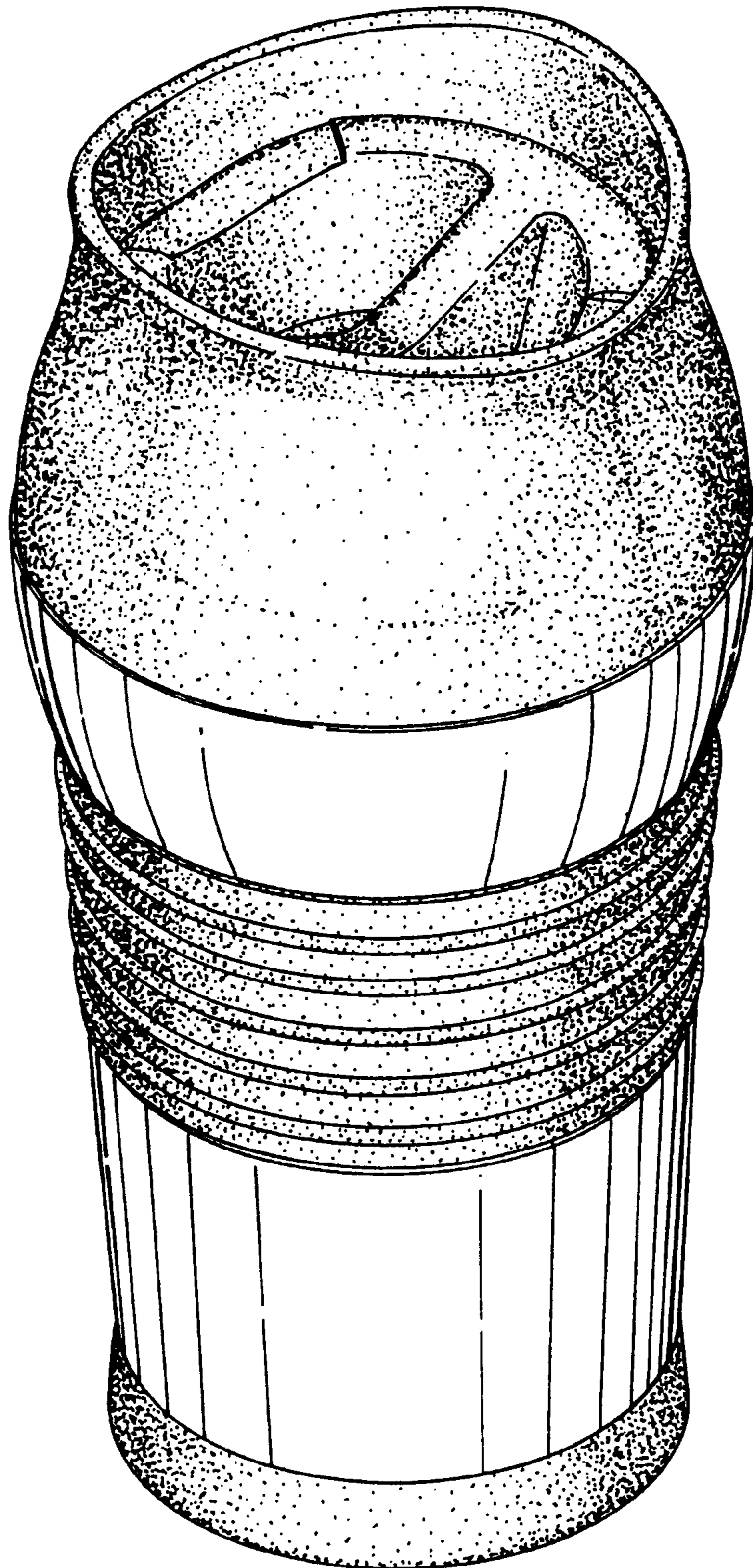


FIG. 3

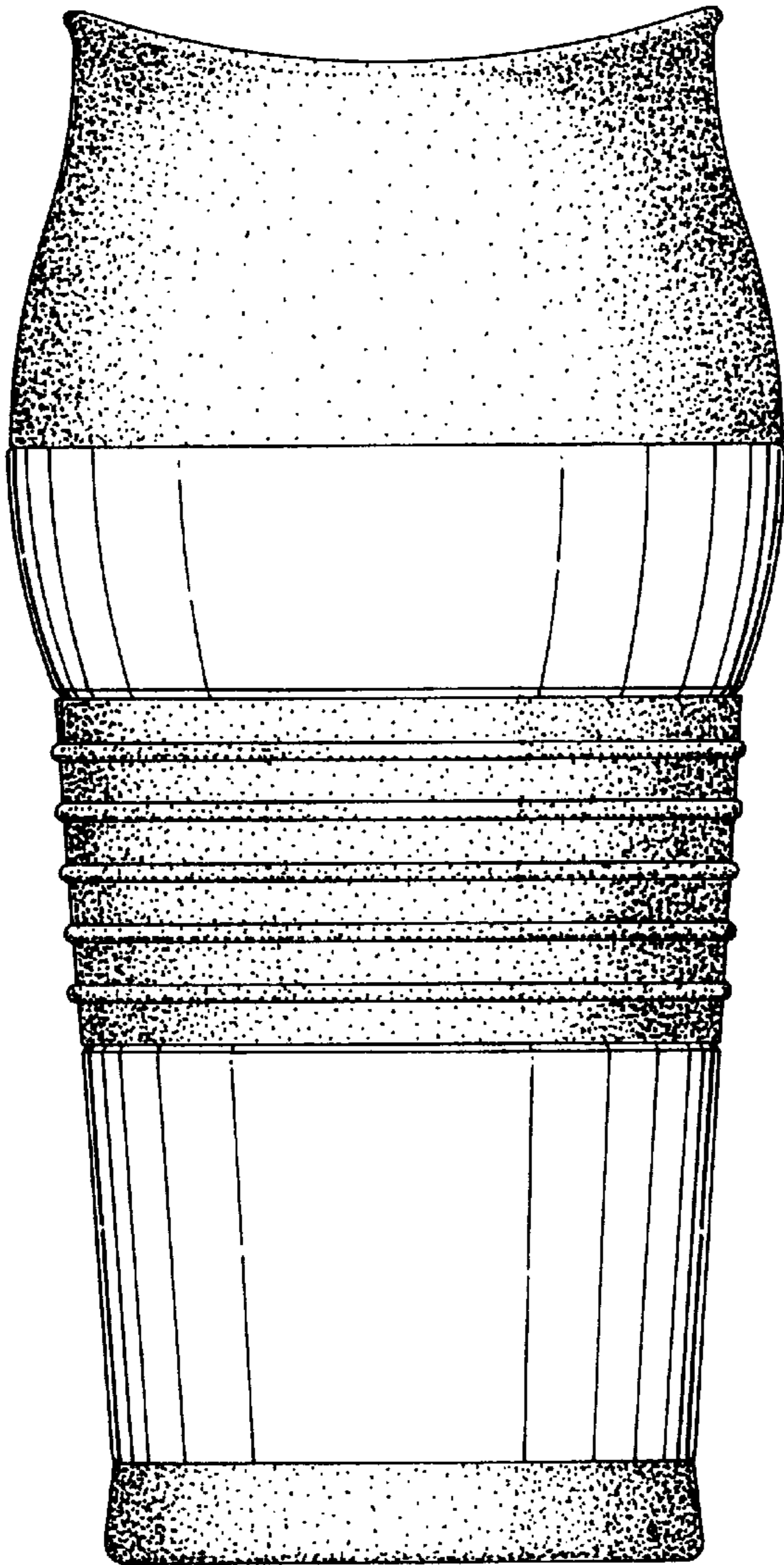
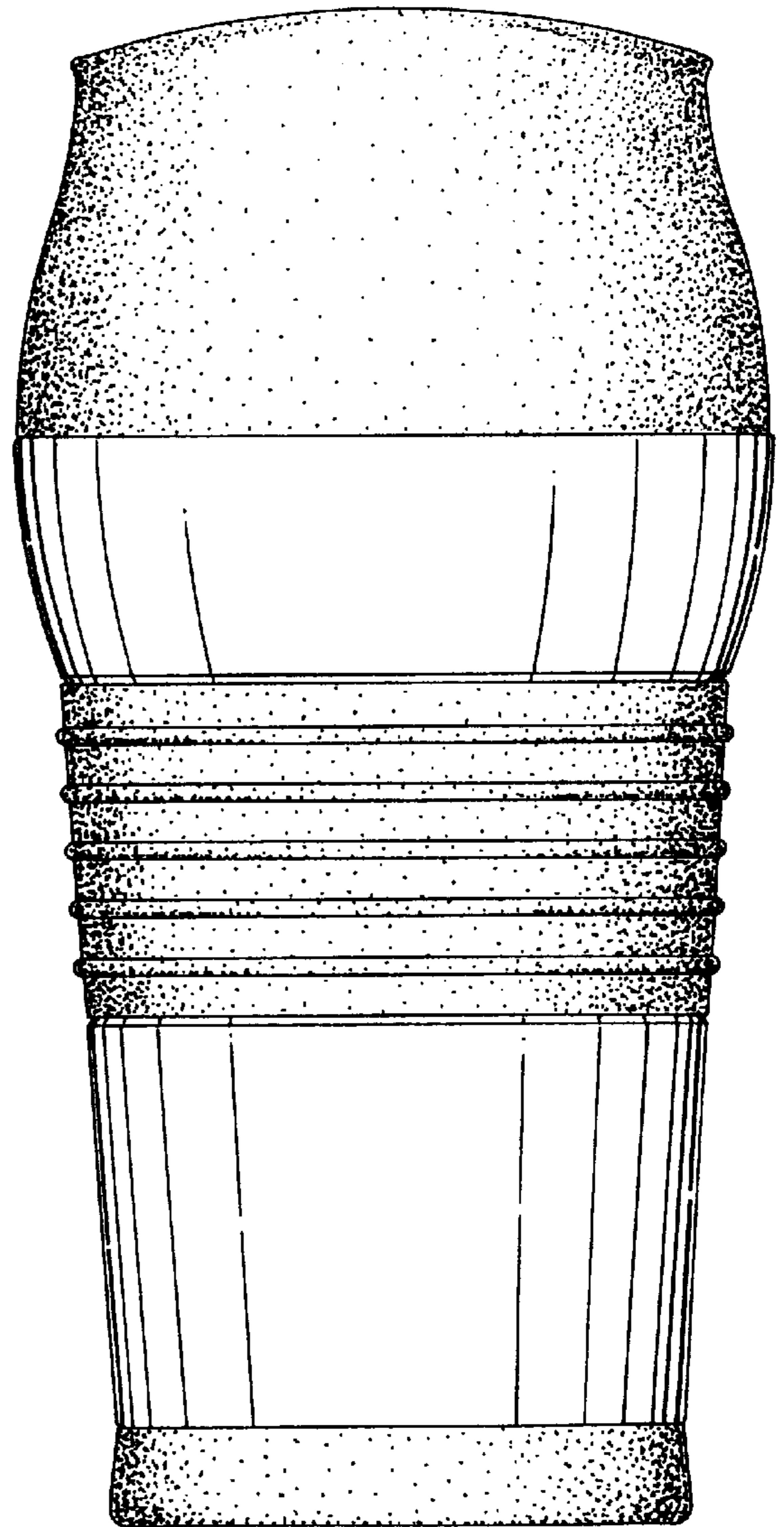


FIG. 2

7 ←



7 ←

FIG. 4

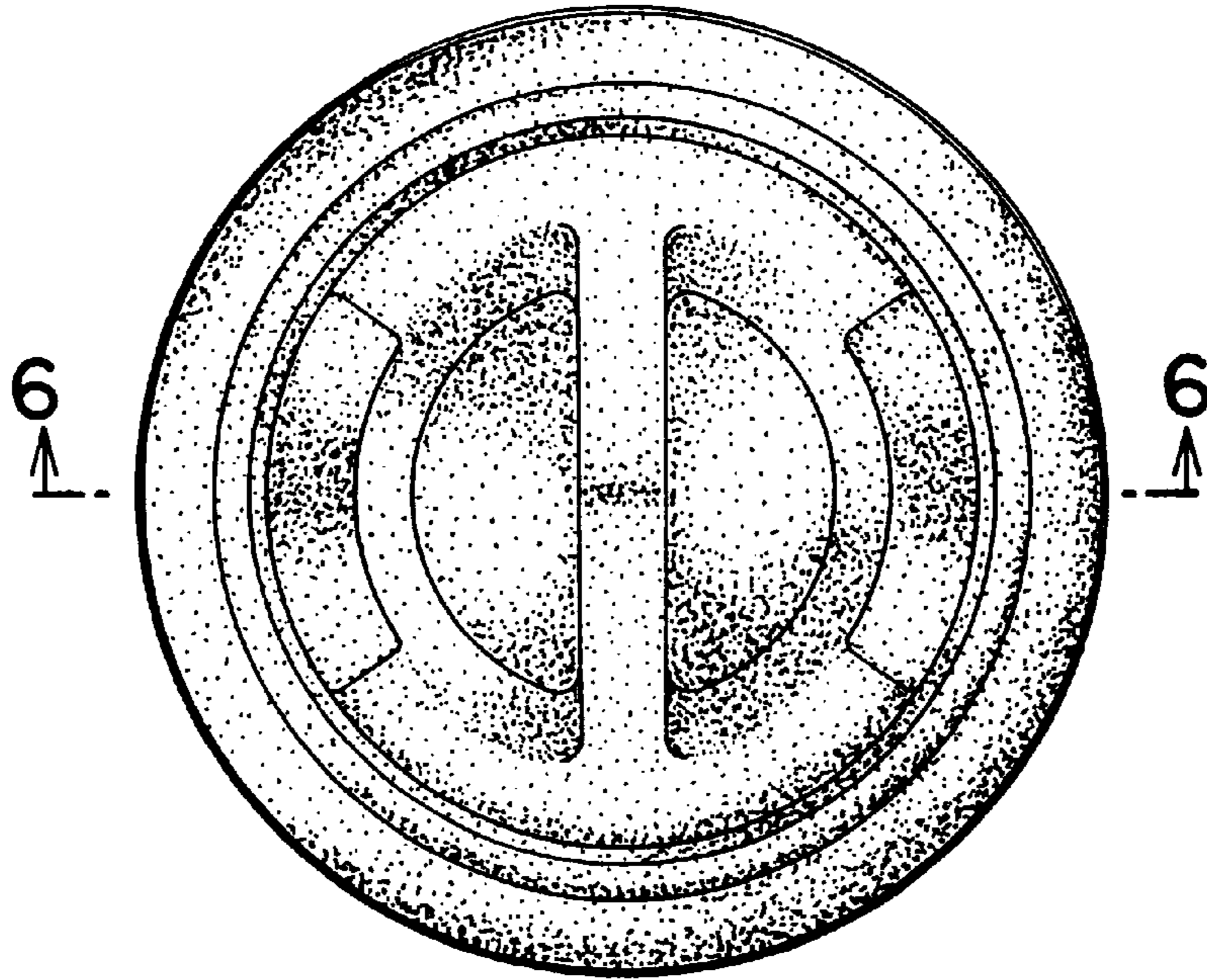


FIG. 5

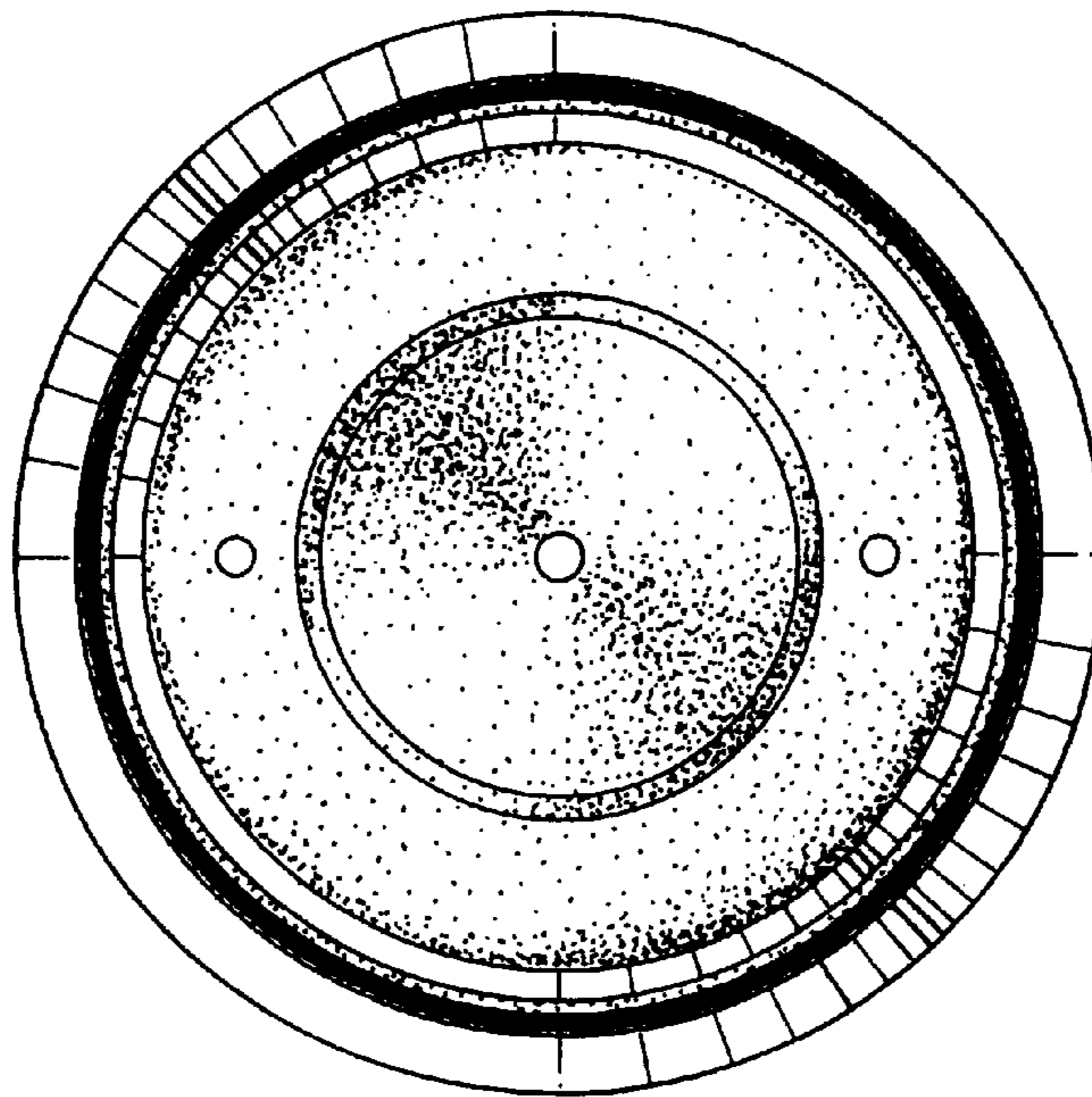


FIG.7

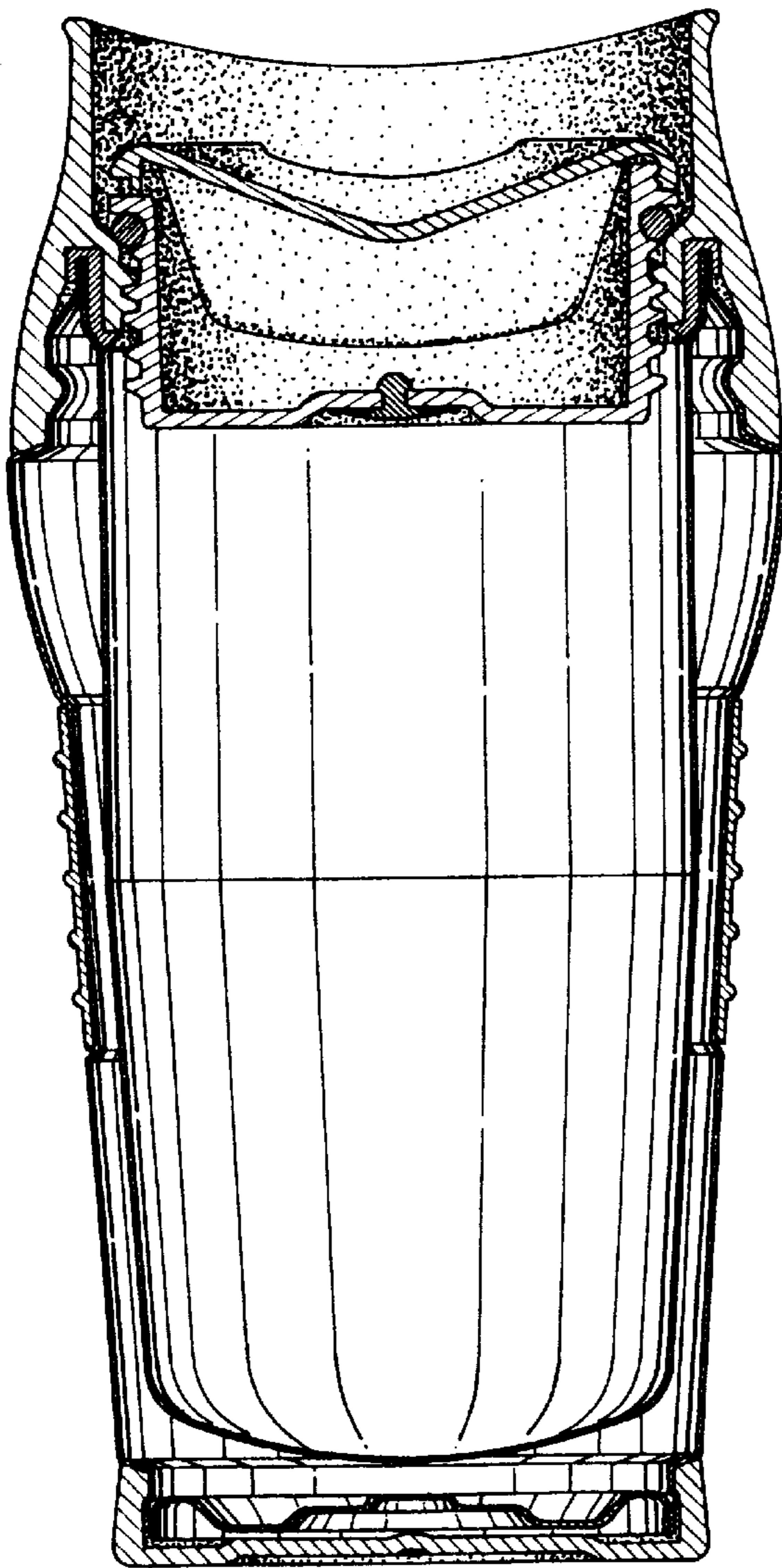


FIG. 6

