



US00D442028S

(12) **United States Design Patent**
Chien

(10) **Patent No.:** **US D442,028 S**

(45) **Date of Patent:** **** May 15, 2001**

(54) **TOOL HANDLE**

(76) **Inventor:** **Yu-Chang Chien**, 212-1 Tsao-His Road, Tsao-Twen Town, Nan-Tou Hsiang (TW)

(**) **Term:** **14 Years**

(21) **Appl. No.:** **29/123,853**

(22) **Filed:** **May 26, 2000**

(51) **LOC (7) Cl.** **08-03**

(52) **U.S. Cl.** **D7/401.2**; D8/107

(58) **Field of Search** D8/107, DIG. 4, D8/303, 98, 75, 80, 83, 87, 300; D22/118; D7/395, 649, 401.2; 30/340, 343, 344; 16/110.1, 431; 81/489, 427.5

(56) **References Cited**

U.S. PATENT DOCUMENTS

- D. 309,557 * 7/1990 Quennessen D7/693
- D. 323,448 * 1/1992 Salviato D7/649
- D. 355,331 * 2/1995 Rich D7/401.2
- D. 414,986 * 10/1999 Mulhauser et al. D7/401.2

- D. 425,365 * 5/2000 Chien D7/401.2
- 4,712,304 * 12/1987 Sanelli 30/343
- 5,791,055 * 8/1998 Mangol 30/340

* cited by examiner

Primary Examiner—Susan J. Lucas

Assistant Examiner—Clare E. Heflin

(74) *Attorney, Agent, or Firm*—Bacon & Thomas, PLLC

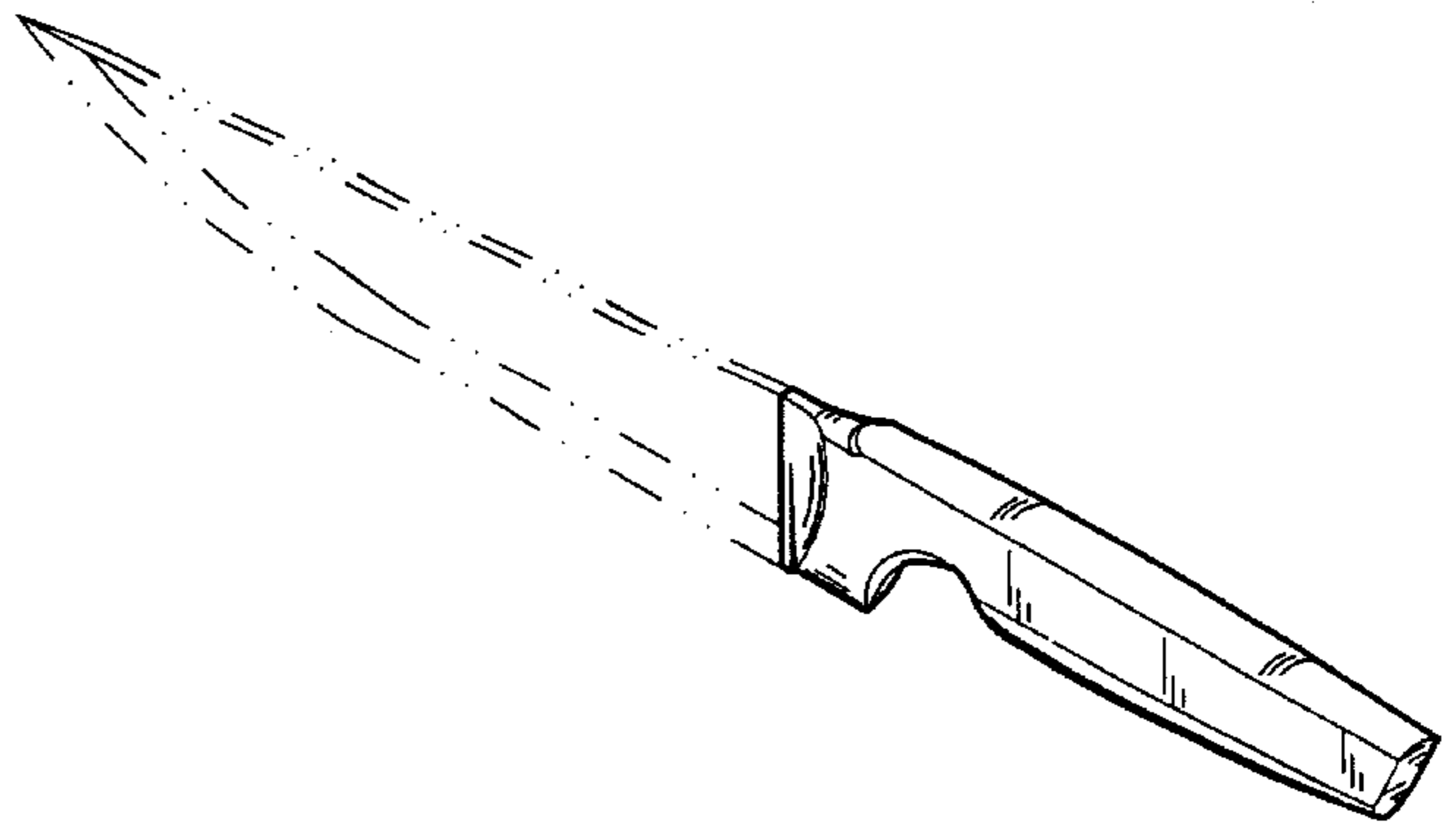
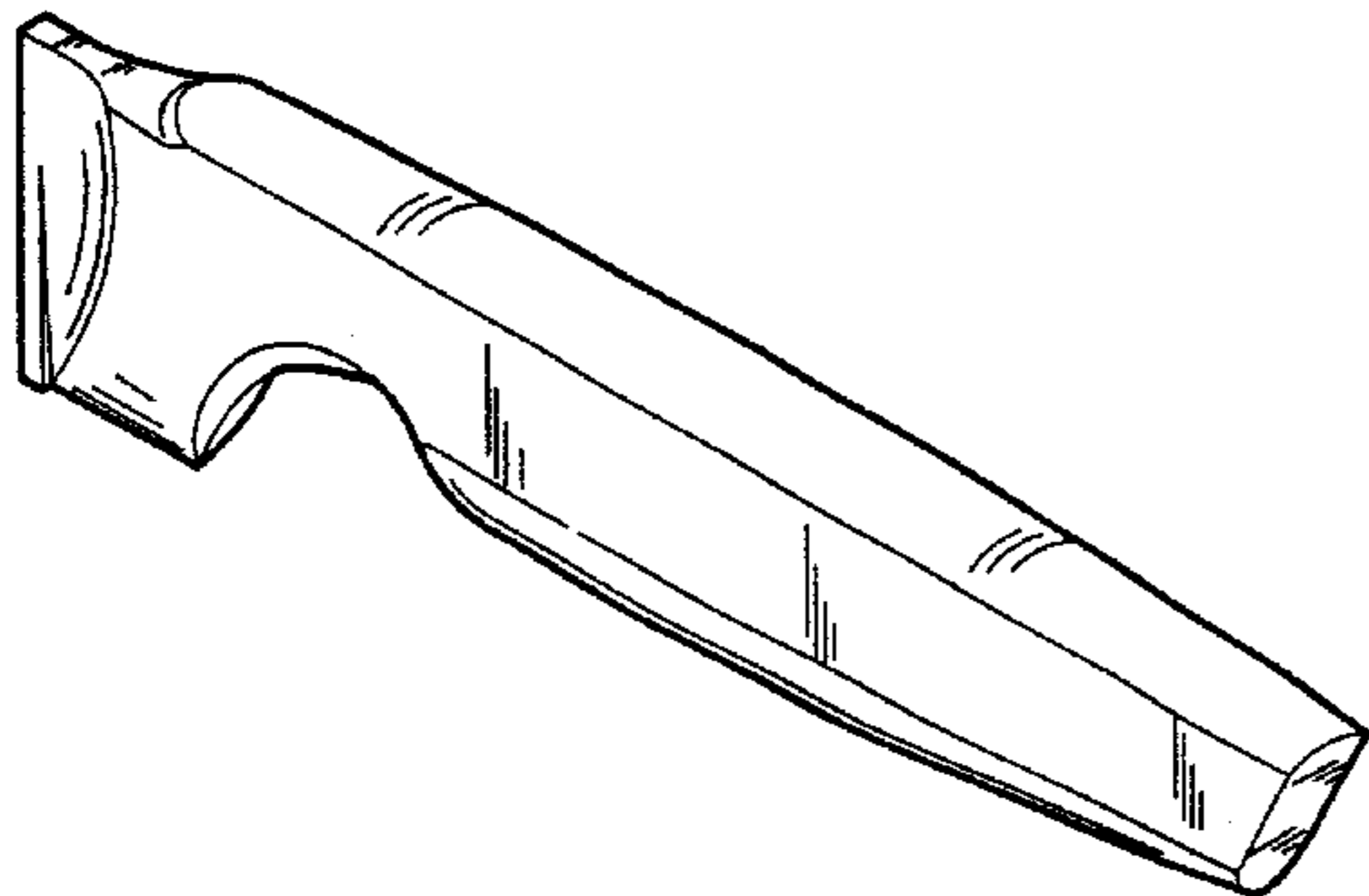
(57) **CLAIM**

The ornamental design for a tool handle, as shown and described.

DESCRIPTION

- FIG. 1. is a front elevational view of a tool handle showing my new design;
- FIG. 2. is a rear elevational view thereof;
- FIG. 3. is a left side elevational view thereof;
- FIG. 4. is a right side elevational view thereof;
- FIG. 5. is a top plan view thereof;
- FIG. 6. is a bottom plan view thereof;
- FIG. 7. is a perspective view thereof; and,
- FIG. 8. is a schematic view thereof at work.

1 Claim, 4 Drawing Sheets



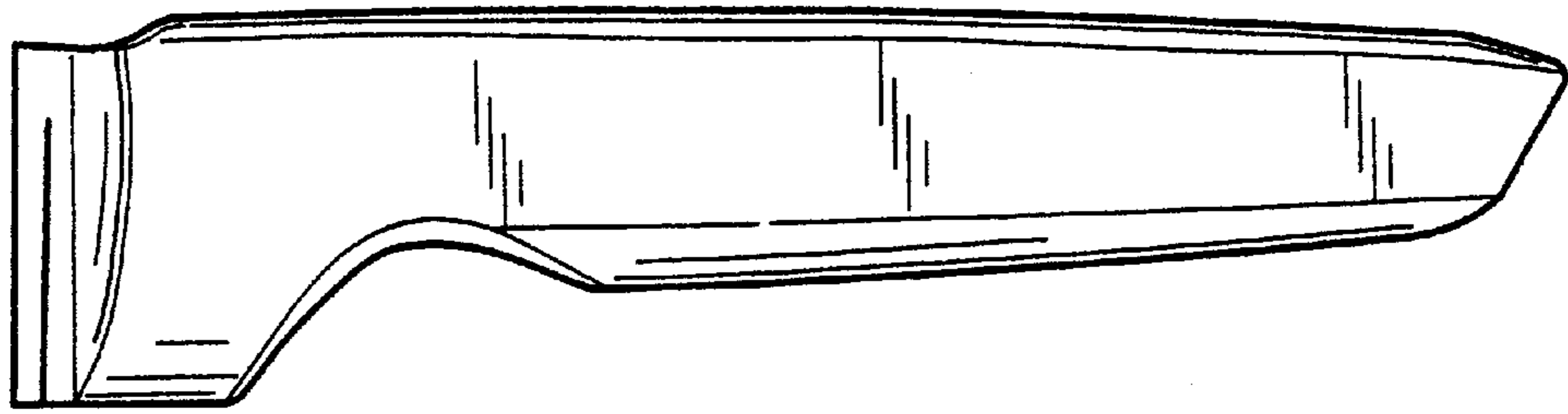


FIG. 1

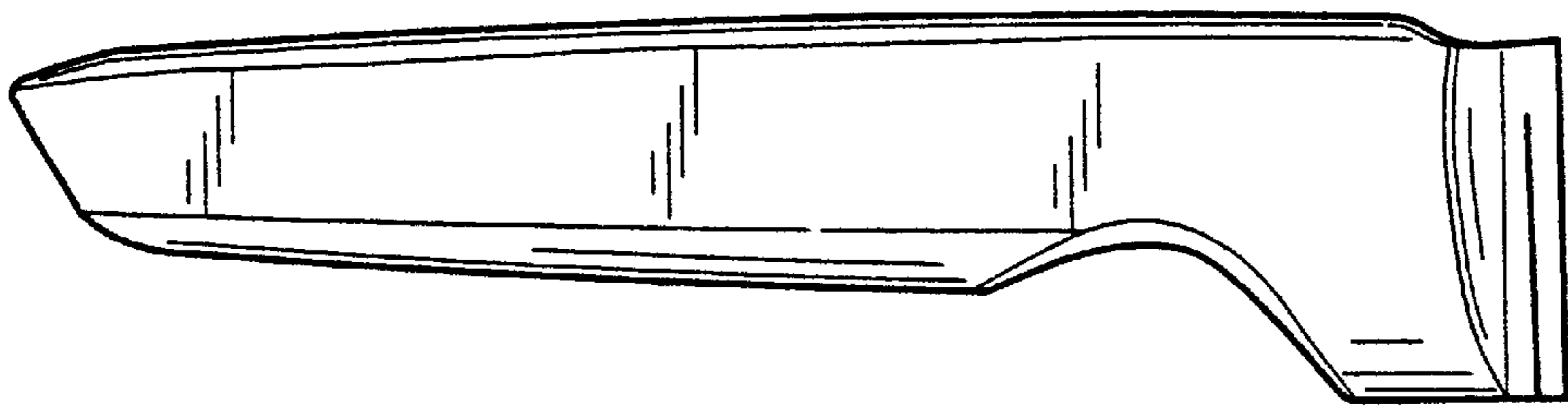


FIG. 2

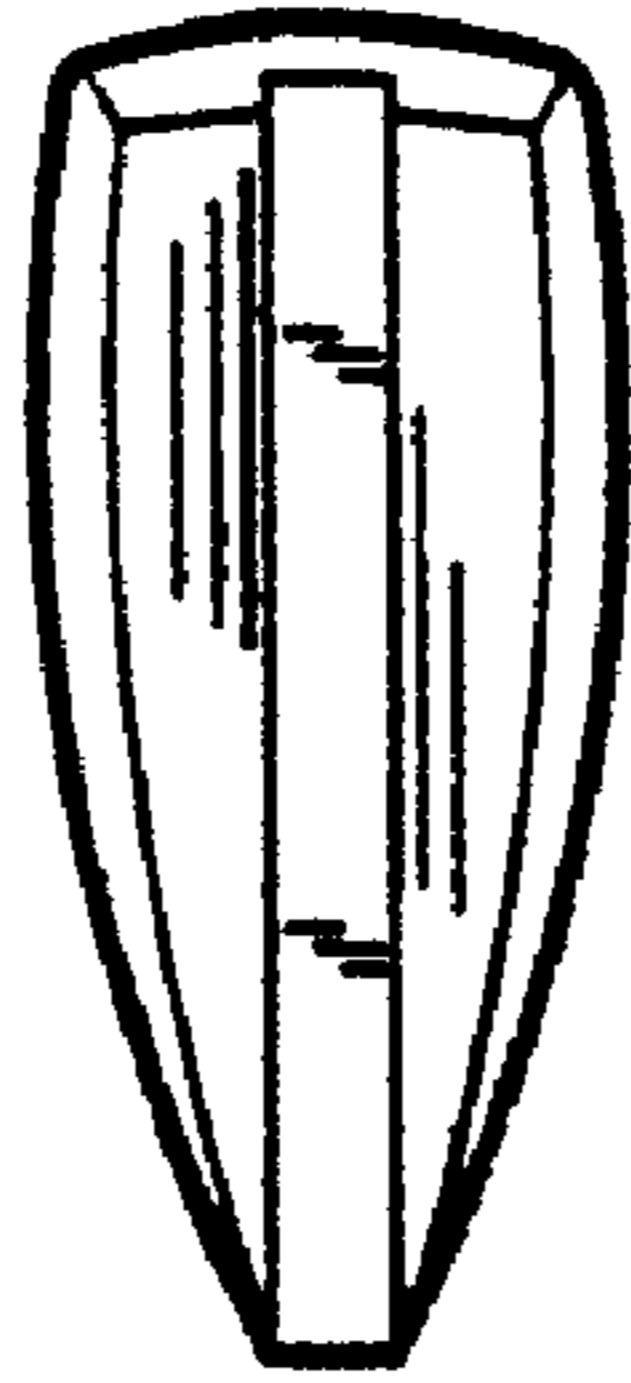


FIG. 3



FIG. 4



FIG. 5

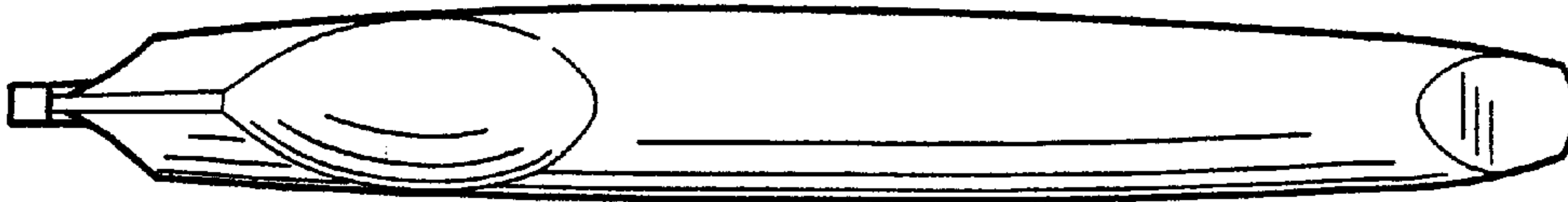


FIG. 6

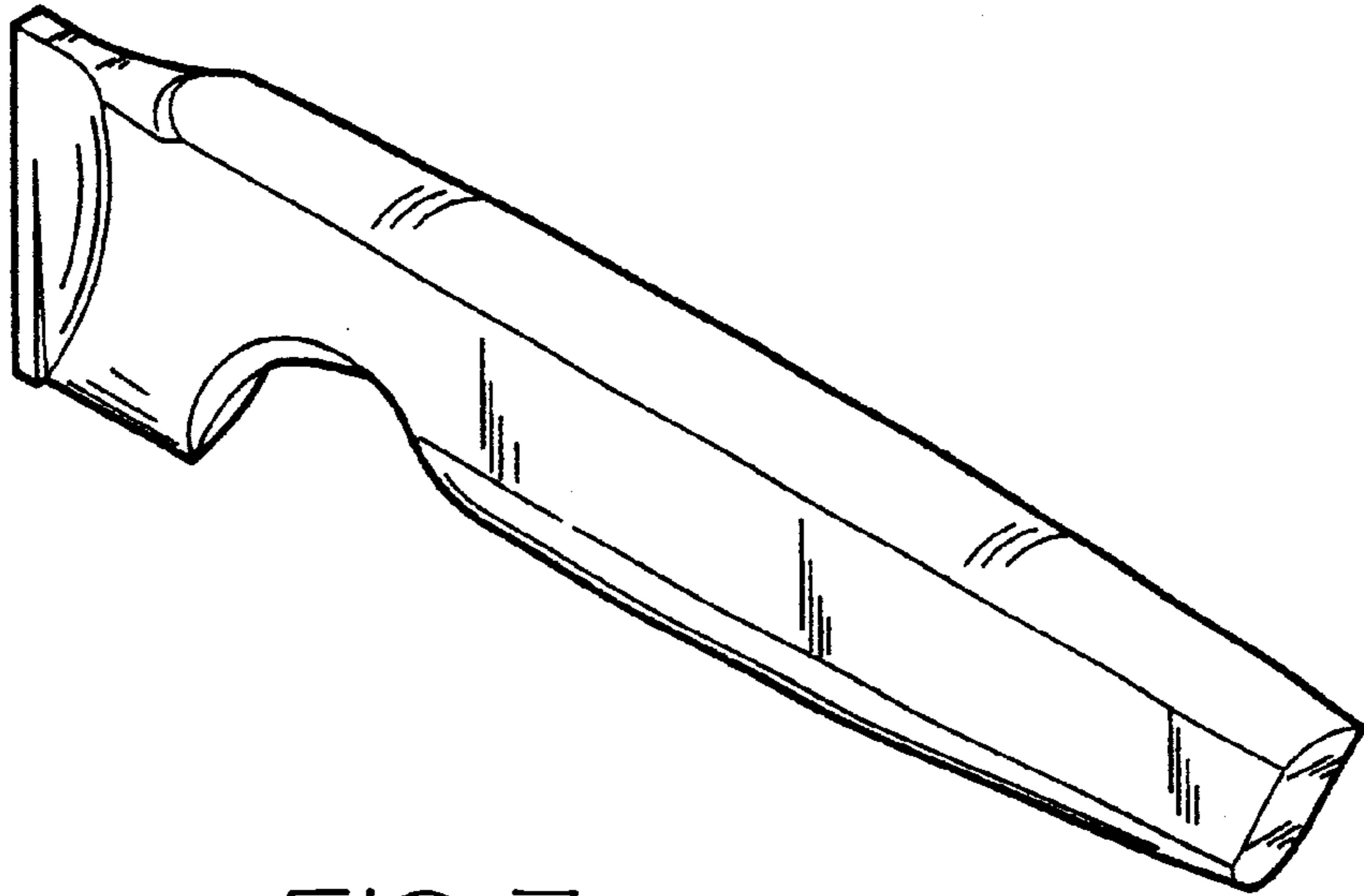


FIG. 7

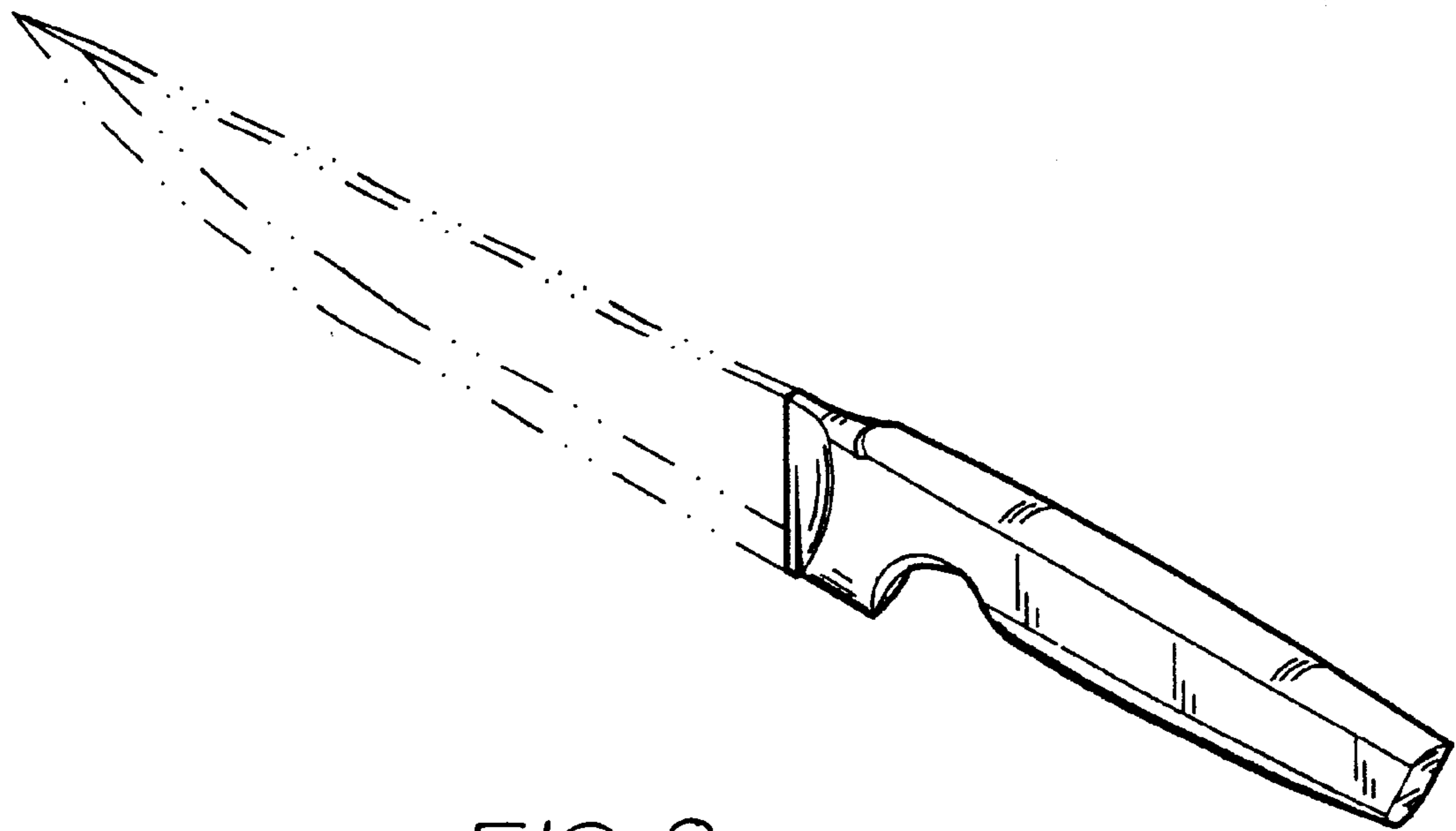


FIG. 8