



US00D442020S

(12) **United States Design Patent**  
**Pierick**

(10) **Patent No.:** **US D442,020 S**

(45) **Date of Patent:** **\*\* May 15, 2001**

(54) **COMBINATION PIE AND PIZZA COOKING PAN**

(75) **Inventor:** **Richard Pierick**, Minneapolis, MN (US)

(73) **Assignee:** **T & L Nifty Products, Inc.**, Braham, MN (US)

(\*\*) **Term:** **14 Years**

(21) **Appl. No.:** **29/107,989**

(22) **Filed:** **Jul. 19, 1999**

(51) **LOC (7) Cl.** ..... **07-02**

(52) **U.S. Cl.** ..... **D7/359; D7/354**

(58) **Field of Search** ..... D7/323, 354-361, D7/337, 363, 409; 99/446, 449, 483, 467; 219/450.1, 620-622; 126/1 R, 24, 25 R, 27

(56) **References Cited**

**U.S. PATENT DOCUMENTS**

- D. 229,277 \* 11/1973 Ming-Kong ..... D7/337
- 254,709 \* 3/1882 Sheldon ..... 99/446
- D. 287,091 \* 12/1986 Elliston ..... D7/337

- D. 340,163 \* 10/1993 Howard et al. .... D7/363
- D. 371,719 \* 7/1996 Perry ..... D7/409 X
- 3,301,172 \* 1/1967 Haro ..... 99/446
- 3,398,264 \* 8/1968 Katzman et al. .... 219/450.1
- 4,782,745 \* 11/1988 George, Jr. .... D7/354 X
- 5,458,054 \* 10/1995 Yu ..... 99/446

\* cited by examiner

*Primary Examiner*—Caron D. Veynar

(74) *Attorney, Agent, or Firm*—James R. Cwayna

(57) **CLAIM**

The ornamental design for a combination pie and pizza cooking pan, as shown.

**DESCRIPTION**

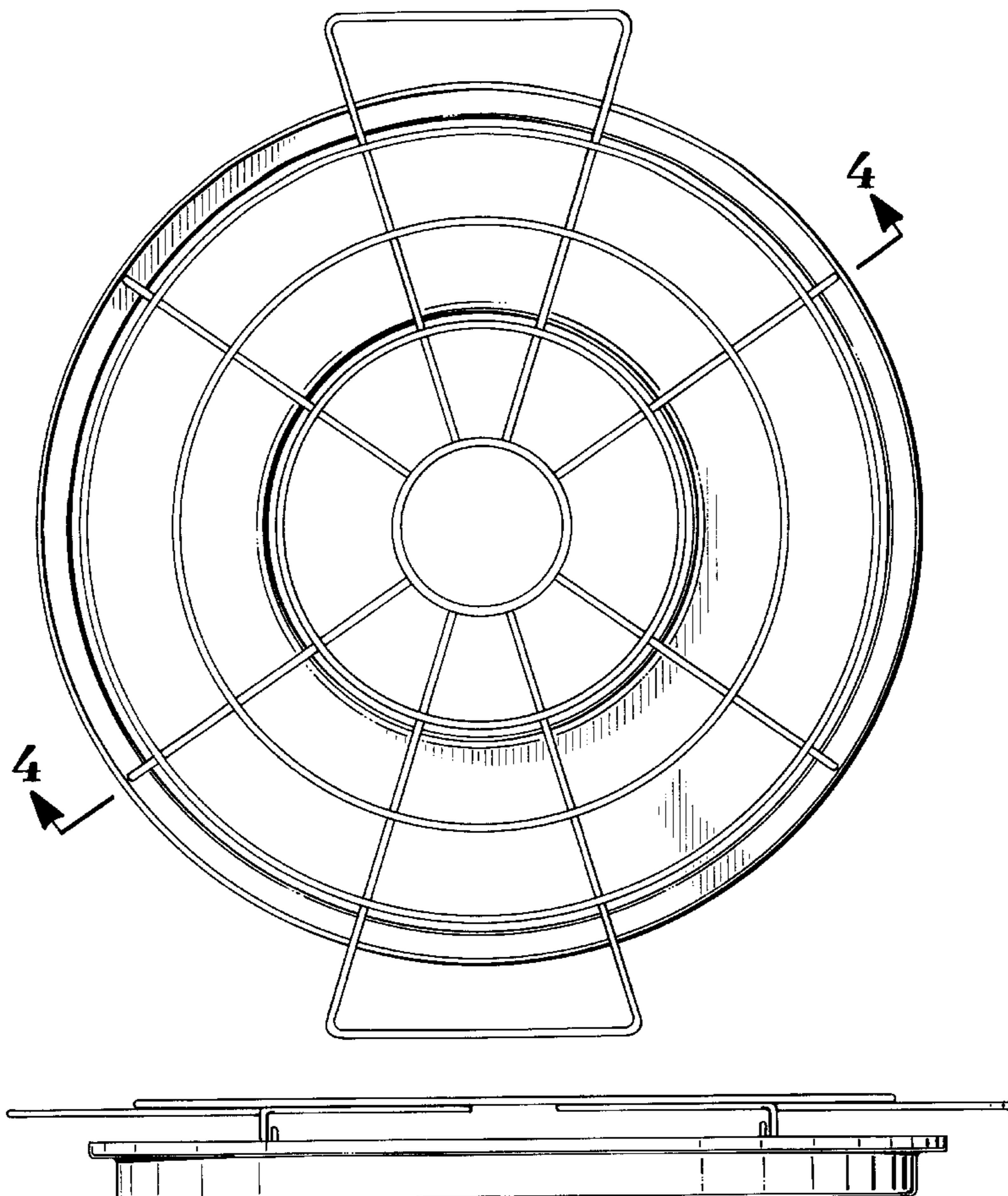
FIG. 1 is a top, plan view of the combination pie and pizza cooking pan embodying the concepts of the Applicant's invention;

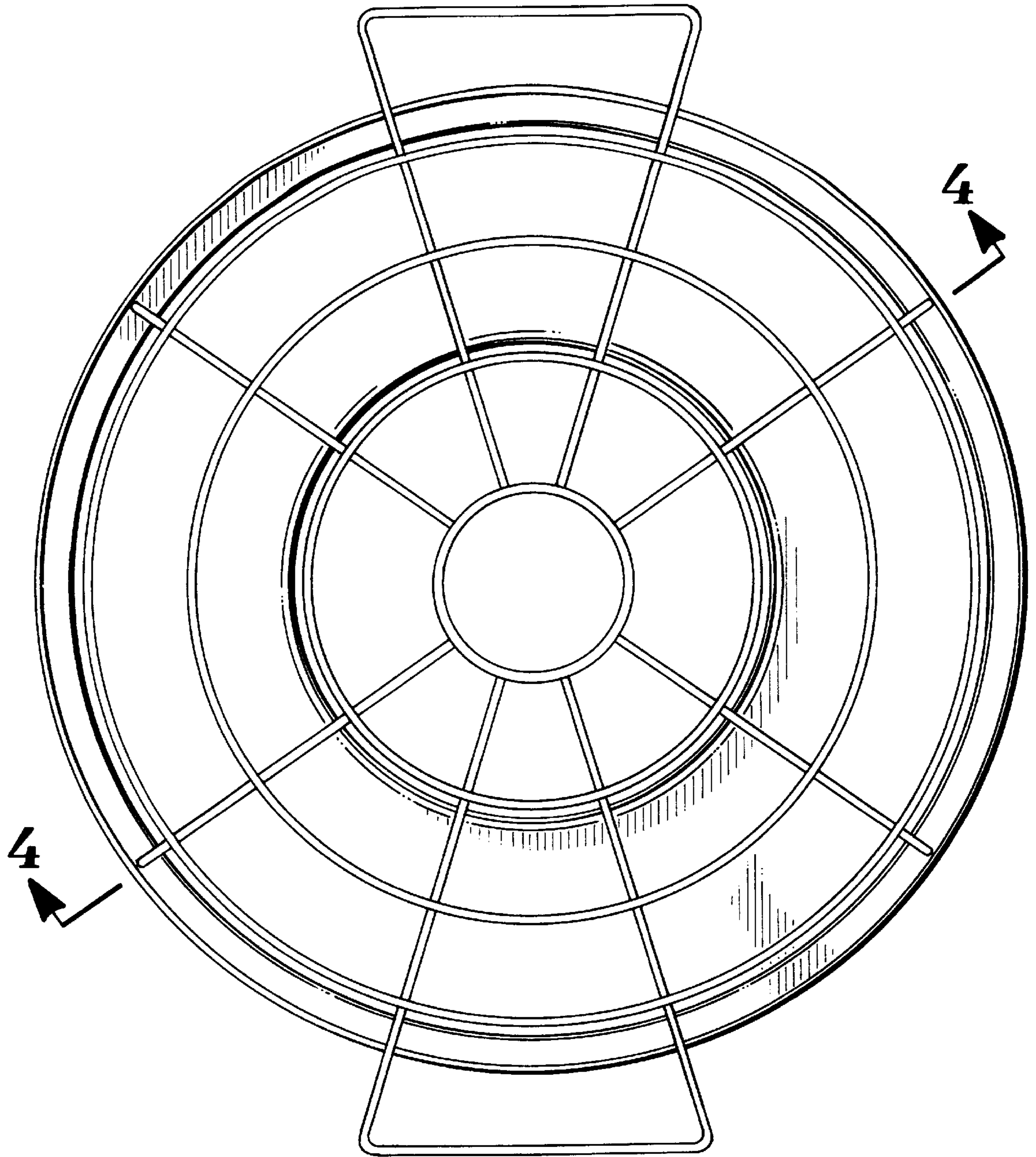
FIG. 2 is a bottom, plan view of the pan;

FIG. 3 is an elevation taken from one side of the pan; and,

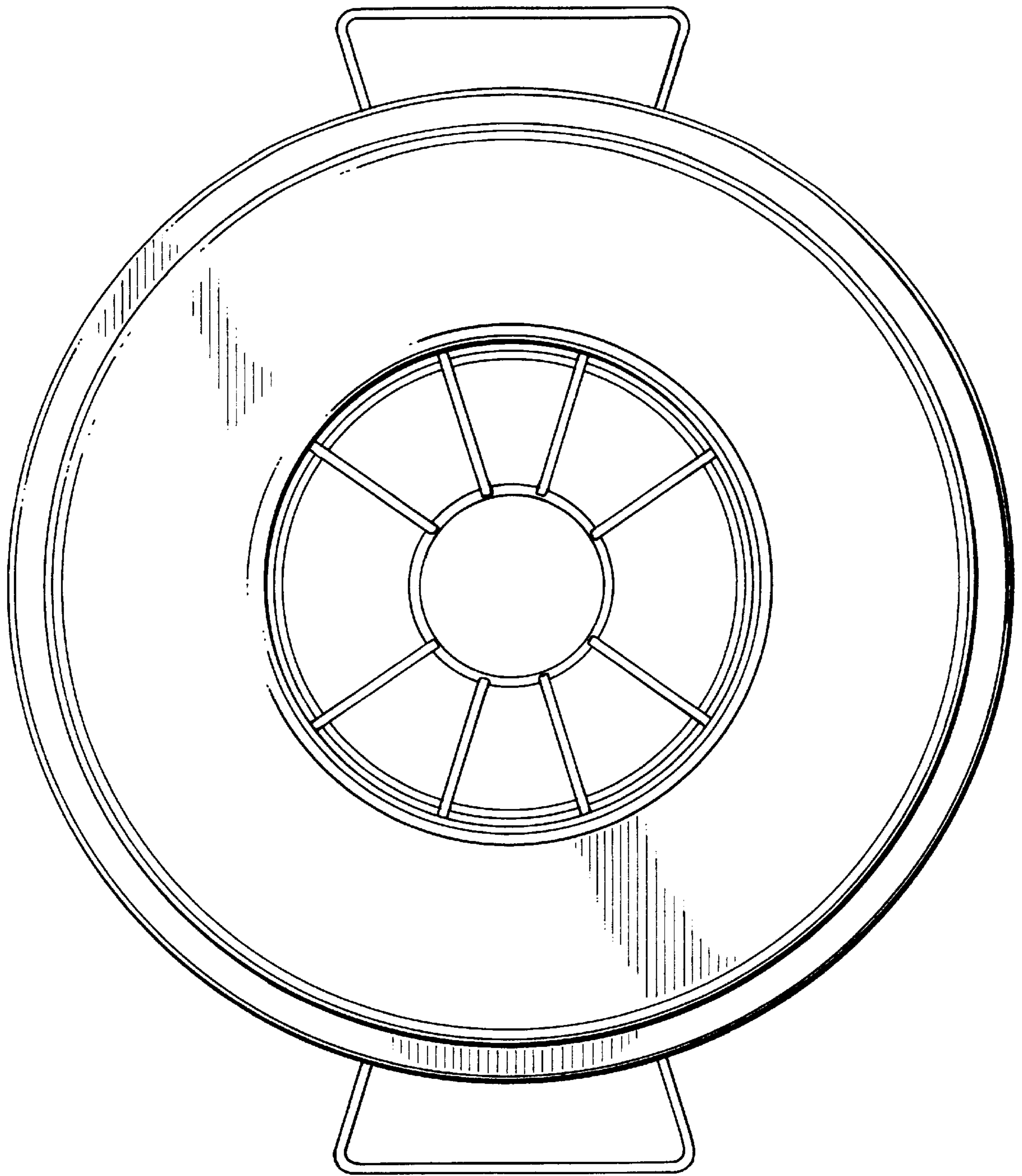
FIG. 4 is an exploded, section view taken substantially along Line 4-4 of FIG. 1 particularly illustrating the two pan elements.

**1 Claim, 3 Drawing Sheets**





**Fig. 1**



**Fig. 2**



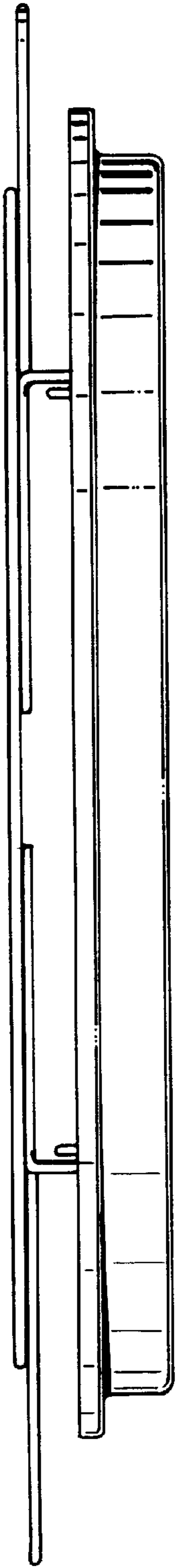


Fig. 3

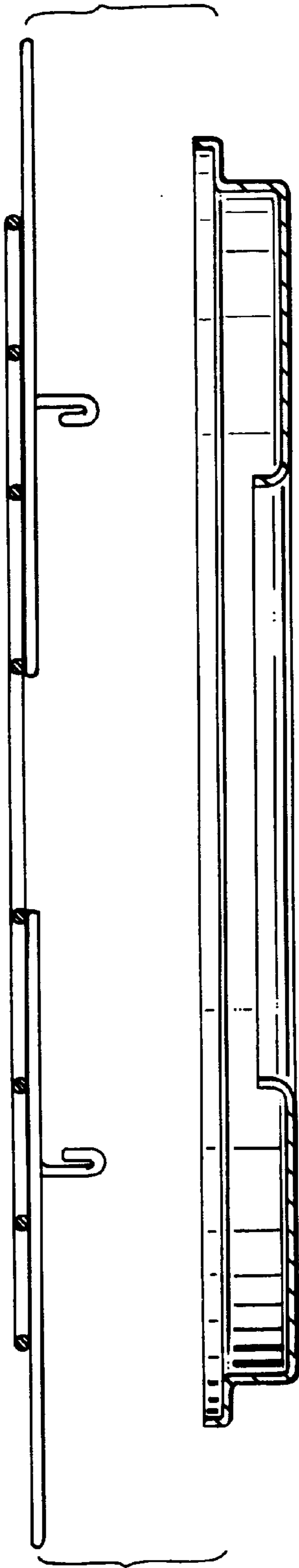


Fig. 4