



US00D442016S

(12) **United States Design Patent**
Park

(10) **Patent No.:** **US D442,016 S**

(45) **Date of Patent:** **** May 15, 2001**

(54) **PORTABLE ROASTER**

(75) Inventor: **Sang Geun Park**, Jeongeup (KR)

(73) Assignee: **Han Sung Enertec Co., Ltd.**,
Jeongeup-Si (KR)

(**) Term: **14 Years**

(21) Appl. No.: **29/123,544**

(22) Filed: **May 22, 2000**

(30) **Foreign Application Priority Data**

Jan. 29, 2000 (KR) 200-2244

(51) **LOC (7) Cl.** **07-02**

(52) **U.S. Cl.** **D7/347**

(58) **Field of Search** D7/350.1, 350.2,
D7/350.3, 350.4, 323, 347, 332; 99/340,
341, 421 H, 427, 446, 448, 450; 126/9 B,
9 R, 25 R, 27, 41 R; 219/400, 401, 752,
753; 403/386

(56) **References Cited**

U.S. PATENT DOCUMENTS

- D. 169,357 * 4/1953 Budlong D7/350
- D. 370,380 * 6/1996 McGourthy, Jr. et al. D7/332
- D. 422,172 * 4/2000 Hsu D7/350

- D. 423,280 * 4/2000 Lin D7/363
- D. 433,867 * 11/2000 Hsu D7/350
- 6,076,453 * 6/2000 Hsu 99/421 H

* cited by examiner

Primary Examiner—Robert M. Spear

(74) *Attorney, Agent, or Firm*—Jacobson, Price, Holman & Stern, PLLC

(57) **CLAIM**

The ornamental design for a portable roaster, as shown and described.

DESCRIPTION

FIG. 1 is a perspective view of a portable roaster according to my invention;

FIG. 2 is a front elevational view thereof;

FIG. 3 is a rear elevational view thereof;

FIG. 4 is a left side elevational view thereof;

FIG. 5 is a right side elevational view thereof;

FIG. 6 is a top plan view thereof;

FIG. 7 is a bottom plan view thereof; and,

FIG. 8 is a perspective view thereof, shown in an alternate position of use.

The broken lines in the drawing disclose environmental structure only and form no part of the claimed design.

1 Claim, 7 Drawing Sheets

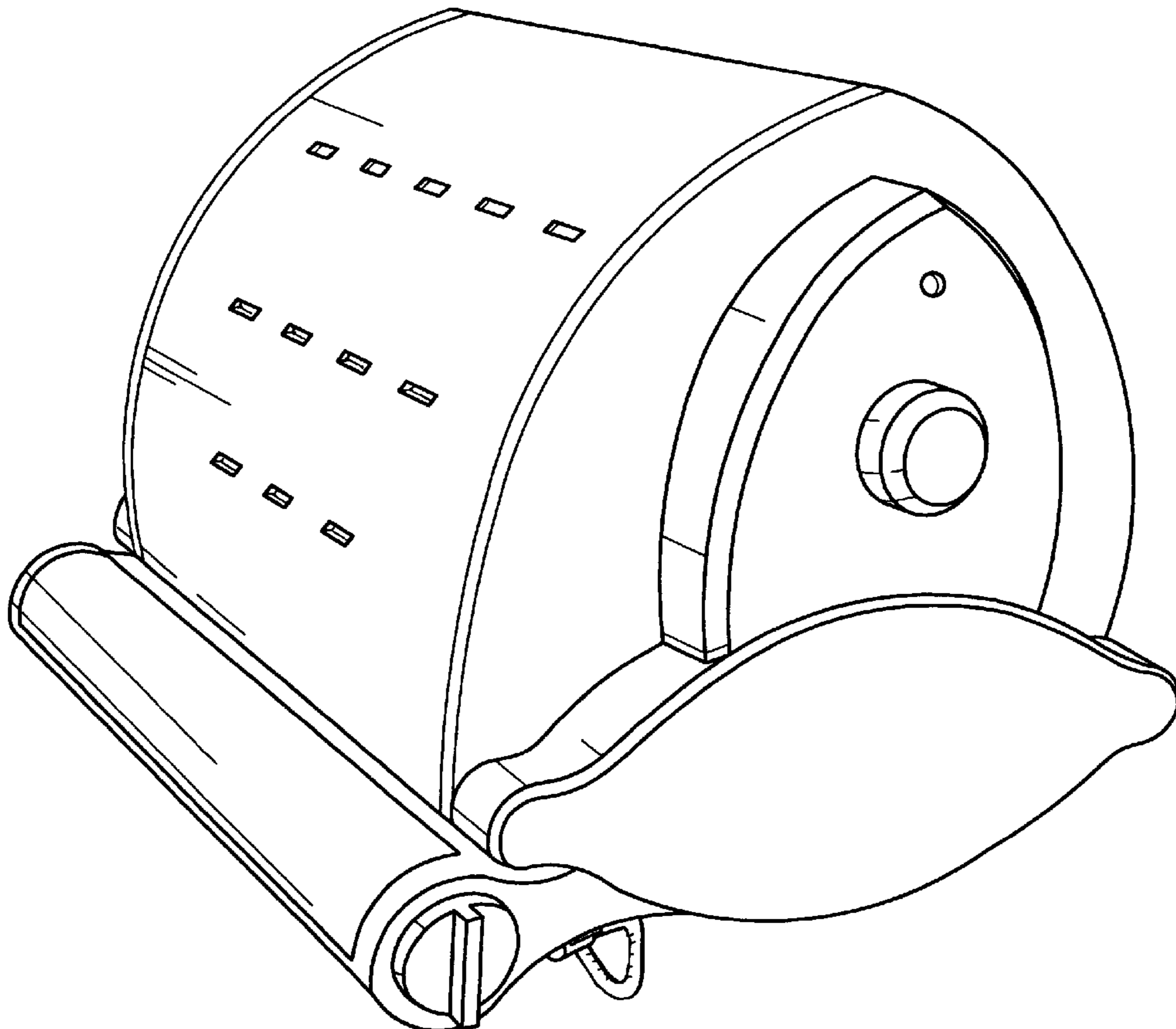


FIG.1

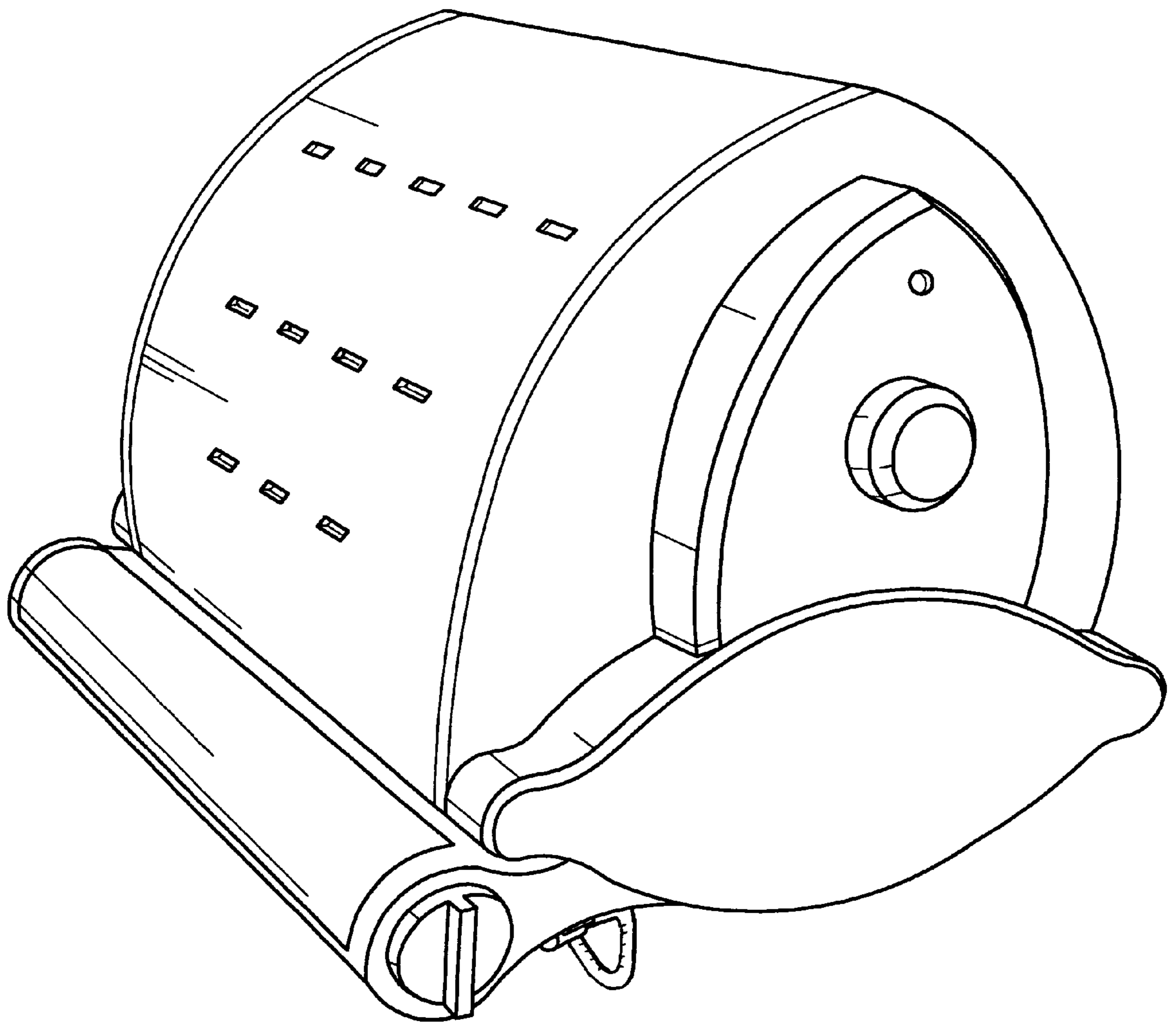


FIG. 2

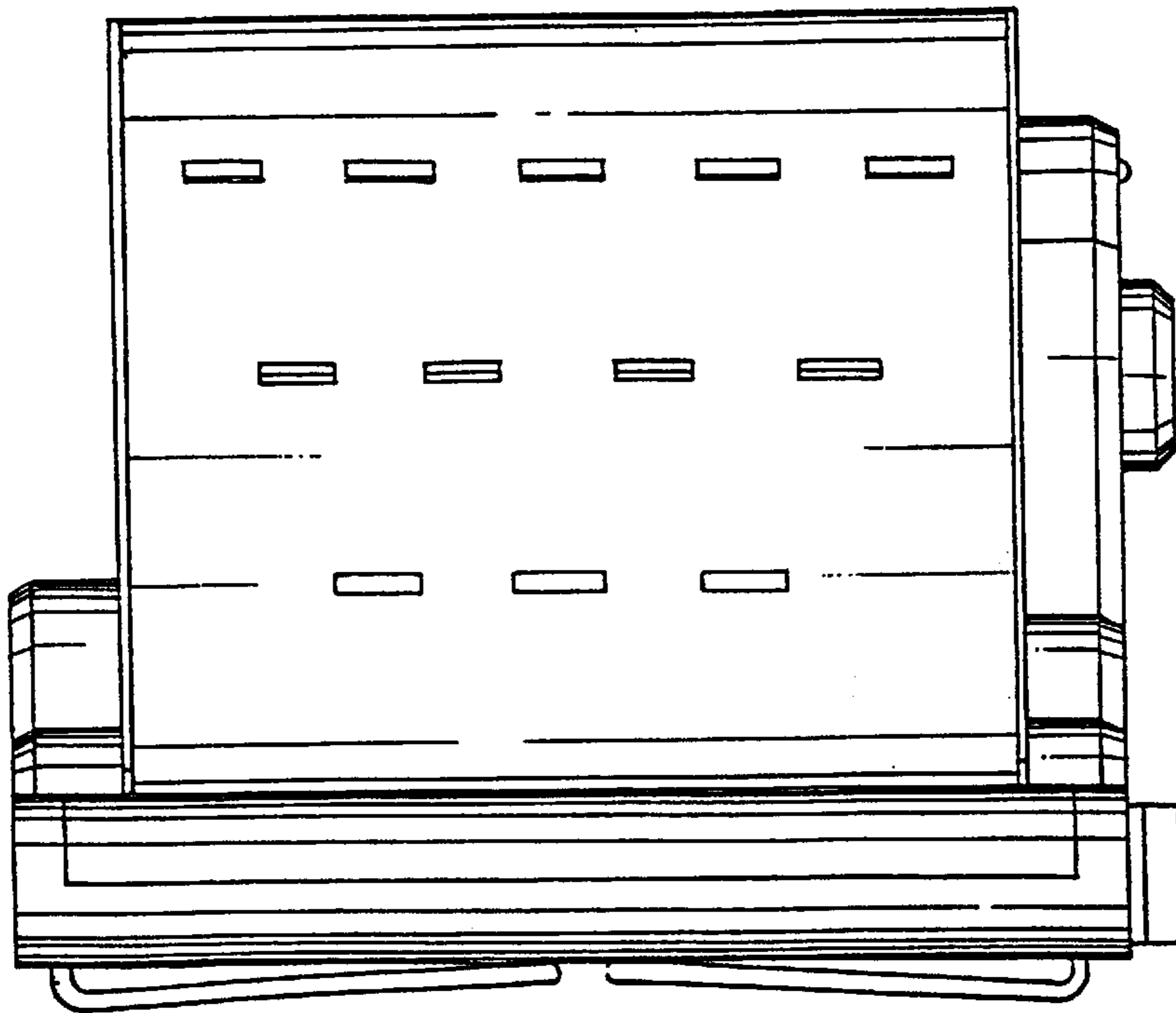


FIG. 3

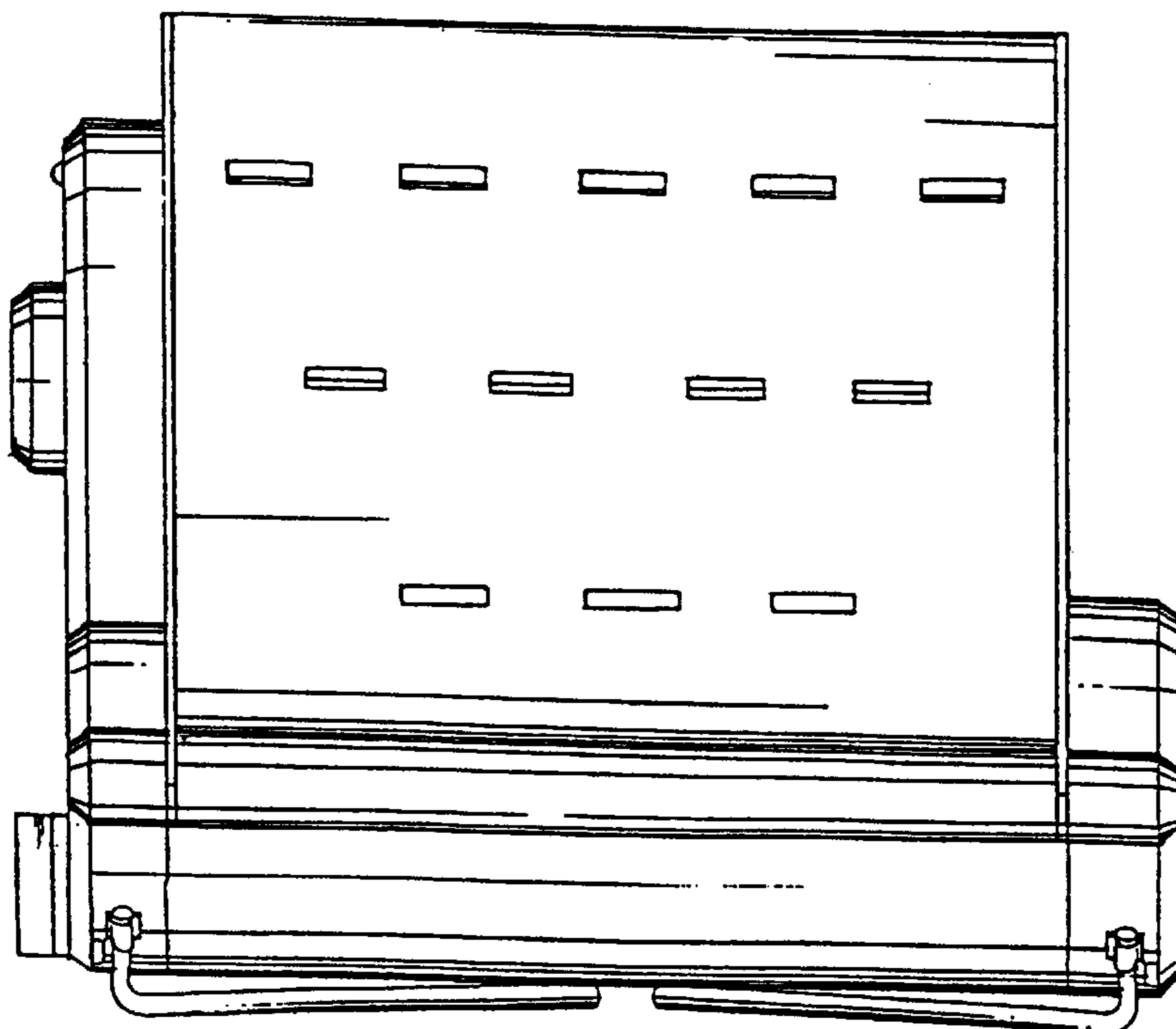


FIG. 4

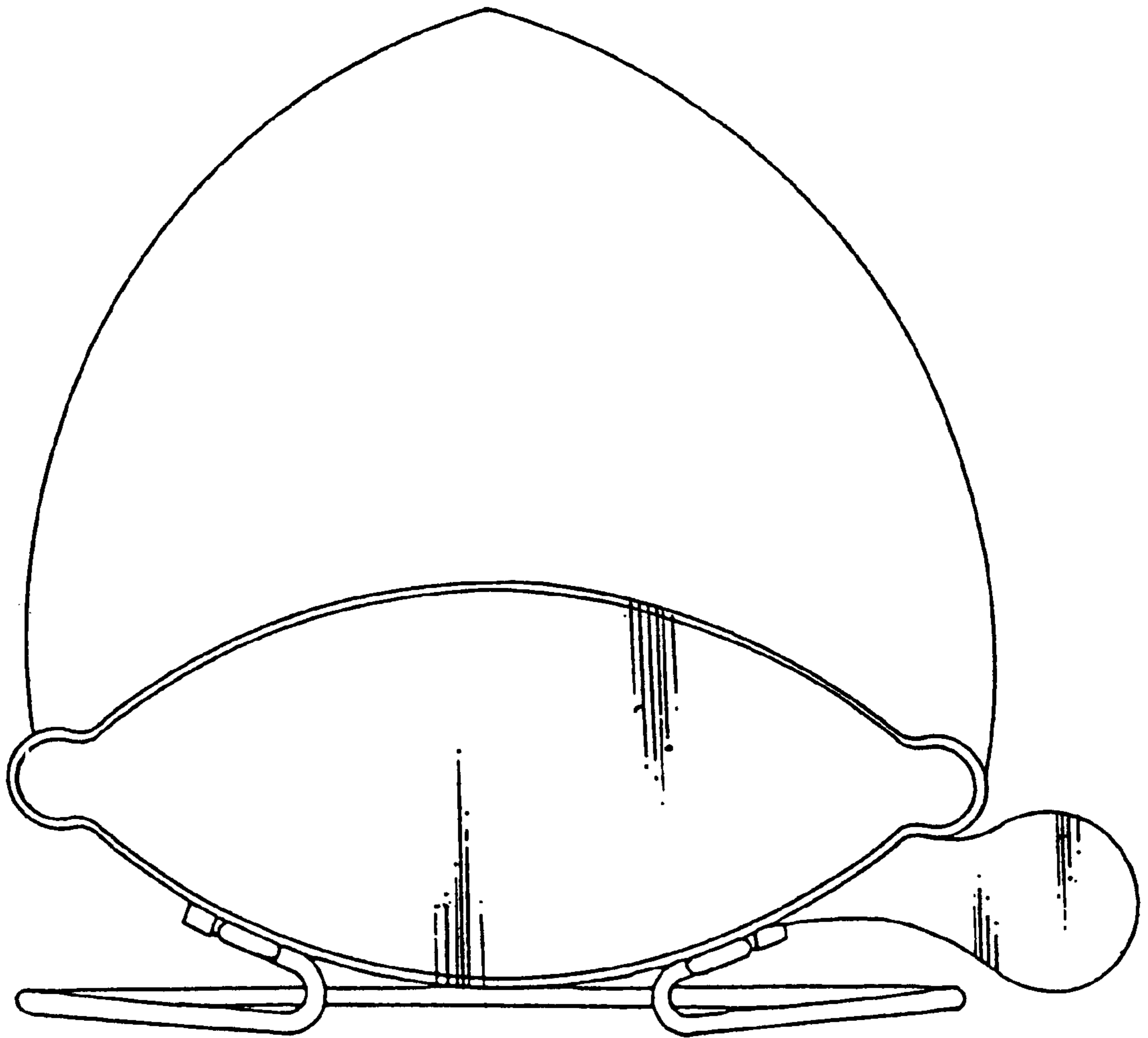


FIG. 5

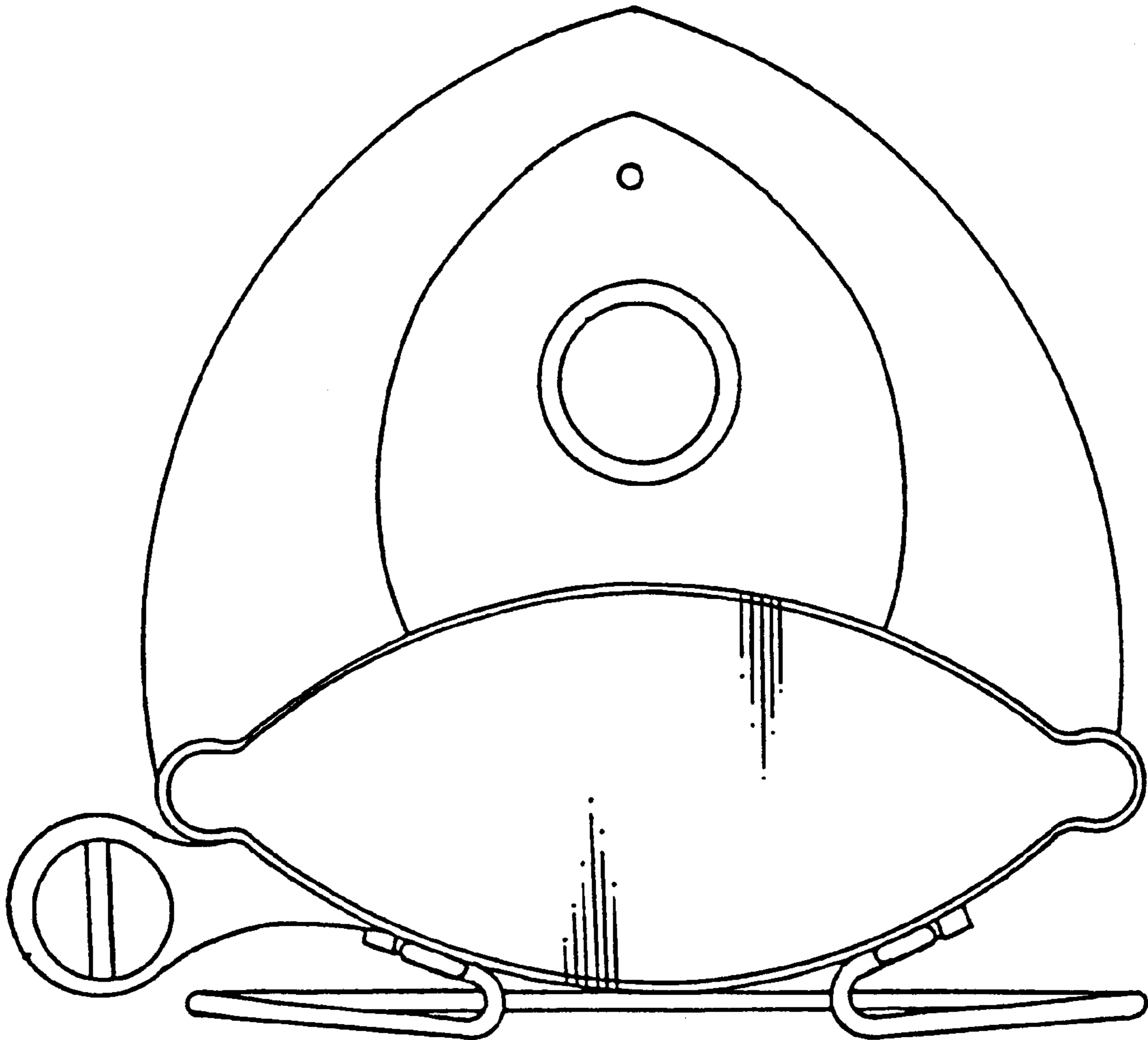


FIG. 6

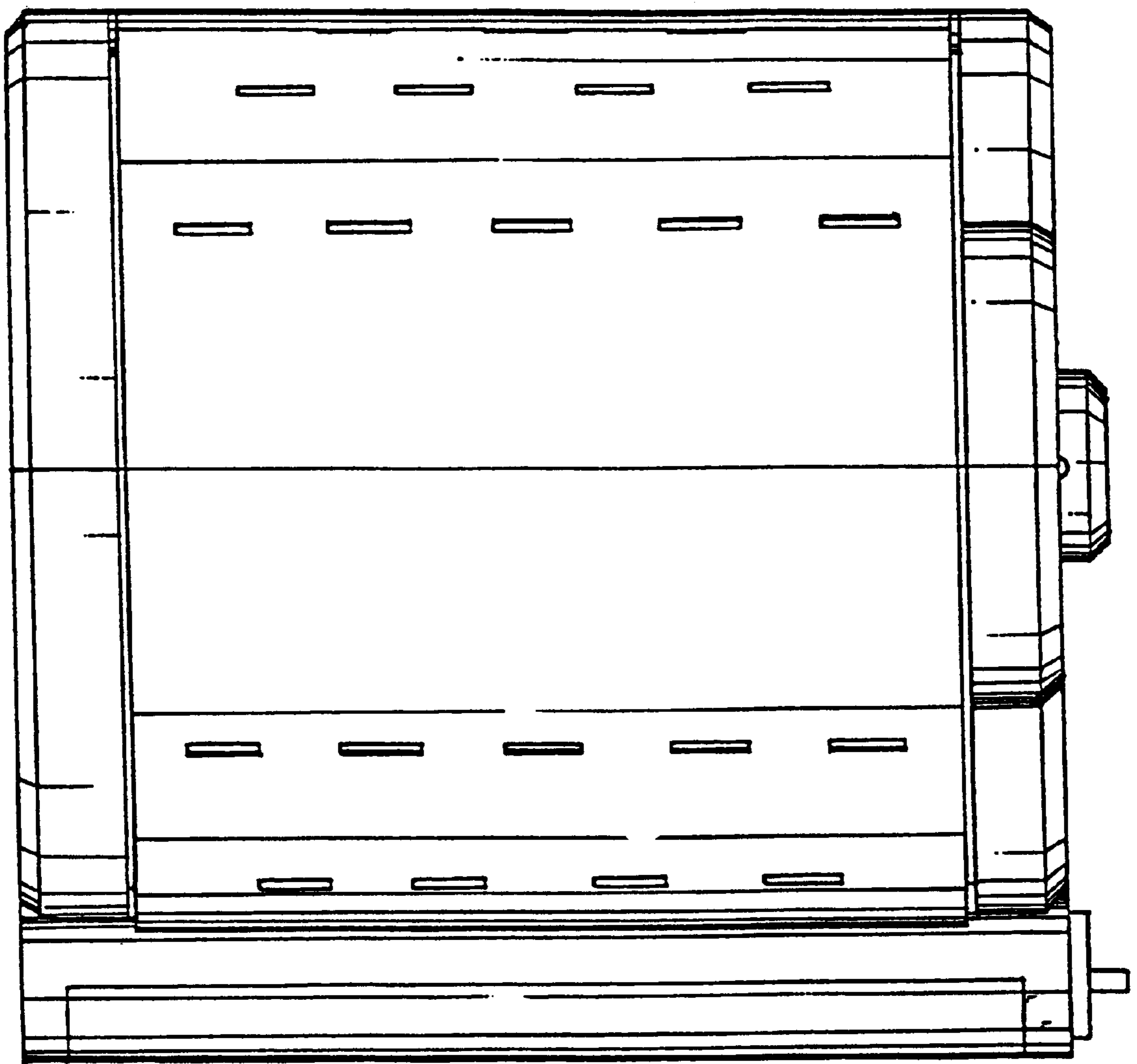


FIG. 7

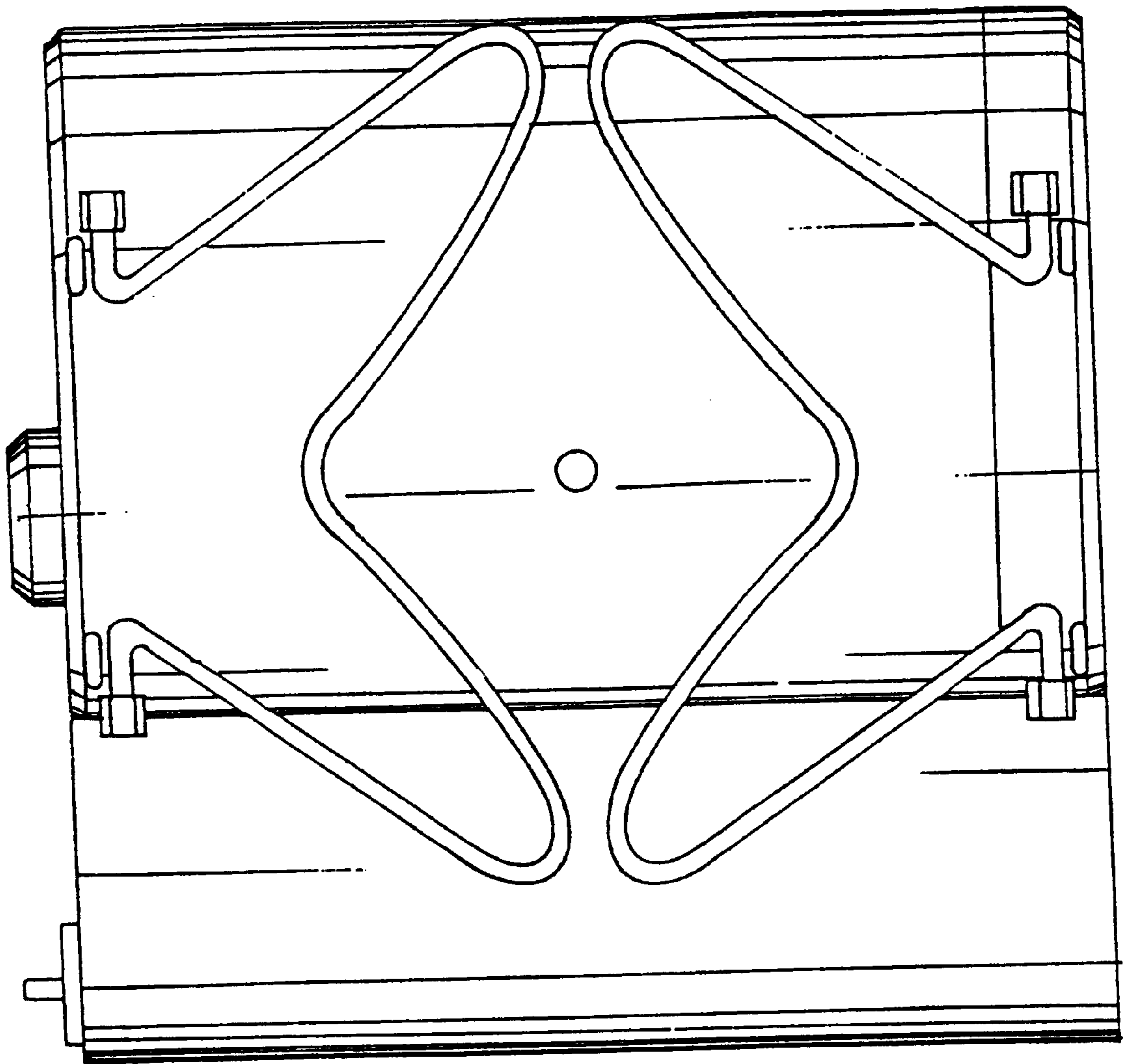


FIG.8

