



US00D442014S

(12) **United States Design Patent**  
**Haring et al.**

(10) **Patent No.:** **US D442,014 S**

(45) **Date of Patent:** **\*\* May 15, 2001**

(54) **GLASS CARAFE**

(75) Inventors: **Steven M. Haring**, Hattiesburg, MS  
(US); **Dana Blanchard**, Boulder, CO  
(US); **Jeffrey De Boer**, Ann Arbor;  
**Evan A. Carpenter-Crawford**,  
Farmington Hills, both of MI (US)

(73) Assignee: **Sunbeam Products, Inc.**, Boca Raton,  
FL (US)

(\*\*) Term: **14 Years**

(21) Appl. No.: **29/109,259**

(22) Filed: **Aug. 12, 1999**

(51) **LOC (7) Cl.** ..... **07-01**

(52) **U.S. Cl.** ..... **D7/319; D7/318; D7/317**

(58) **Field of Search** ..... D7/312, 313, 314,  
D7/317, 318, 319, 322; 99/279, 307, 280,  
283; 220/300; 222/475.1, 131, 183, 88

(56) **References Cited**

**U.S. PATENT DOCUMENTS**

D. 251,821	*	5/1979	Levine	.....	D7/318
D. 268,319	*	3/1983	Donoski et al.	.....	D7/318
D. 271,074	*	10/1983	Richardson	.....	D7/318
D. 283,194	*	4/1986	Durand	.....	D7/318
D. 305,854	*	2/1990	Ryan et al.	.....	D7/319

D. 326,206	*	5/1992	Rakocy et al.	.....	D7/317
D. 354,879	*	1/1995	Ullmann	.....	D7/317
D. 355,329	*	2/1995	Ullmann	.....	D7/317
D. 378,722	*	4/1997	Brady	.....	D7/319
D. 393,174	*	4/1998	Mork et al.	.....	D7/318
D. 411,404	*	6/1999	Littmann	.....	D7/319
D. 414,071	*	9/1999	Mork et al.	.....	D7/319
D. 419,028	*	1/2000	Mork et al.	.....	D7/321
D. 422,831	*	4/2000	Lucas et al.	.....	D7/319

\* cited by examiner

*Primary Examiner*—M. N. Pandozzi

(74) *Attorney, Agent, or Firm*—Kramer, Levin, Naftalis &  
Frankel LLP

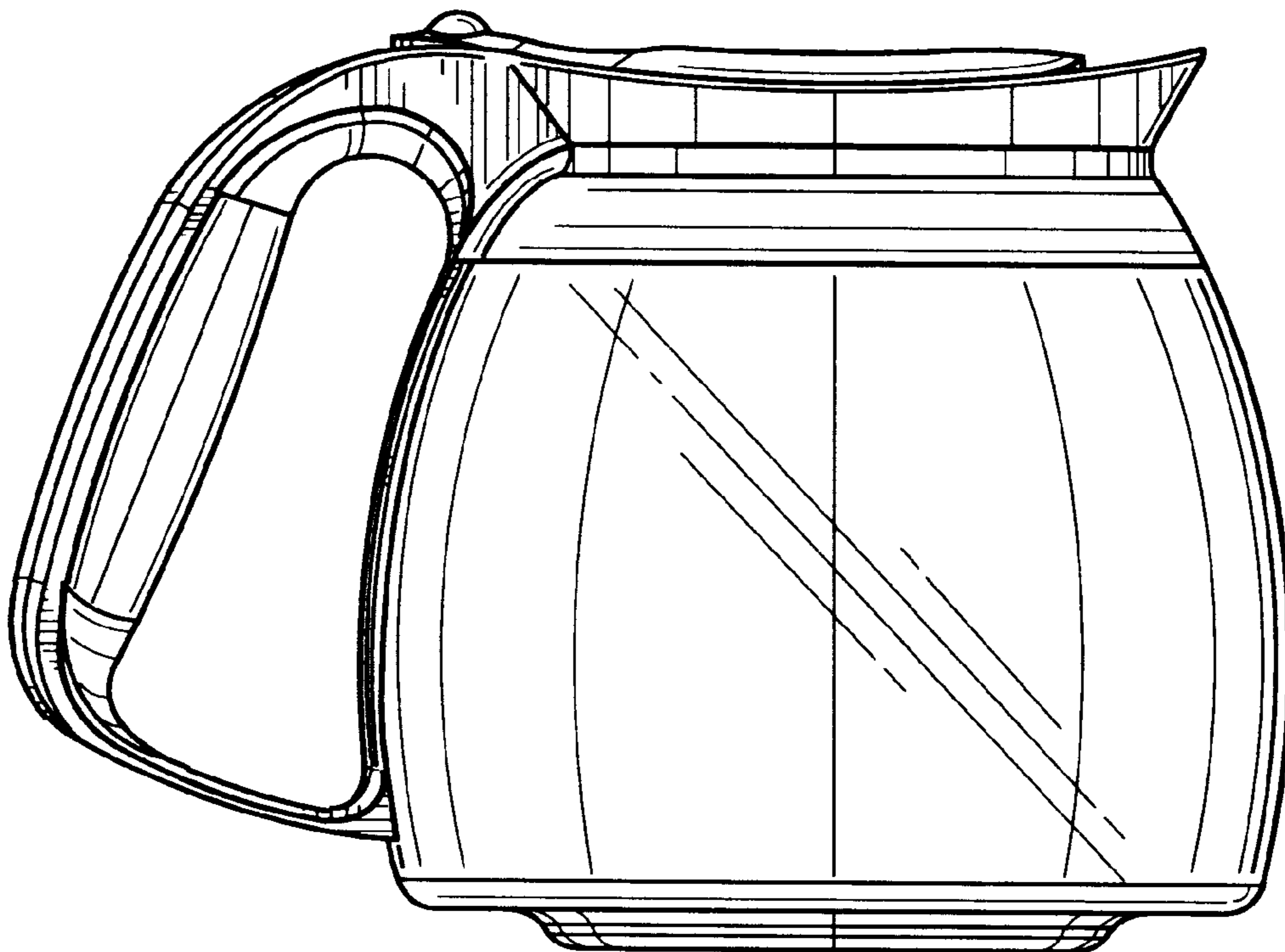
(57) **CLAIM**

The ornamental design for an glass carafe, as shown and described.

**DESCRIPTION**

FIG. 1 is a back perspective view showing our new design;  
FIG. 2 is a left side elevational view, the opposite side being  
a mirror image thereof;  
FIG. 3 is a top plan view thereof;  
FIG. 4 is a bottom plan view thereof;  
FIG. 5 is a front elevational view thereof; and,  
FIG. 6 is a back elevational view thereof.

**1 Claim, 6 Drawing Sheets**



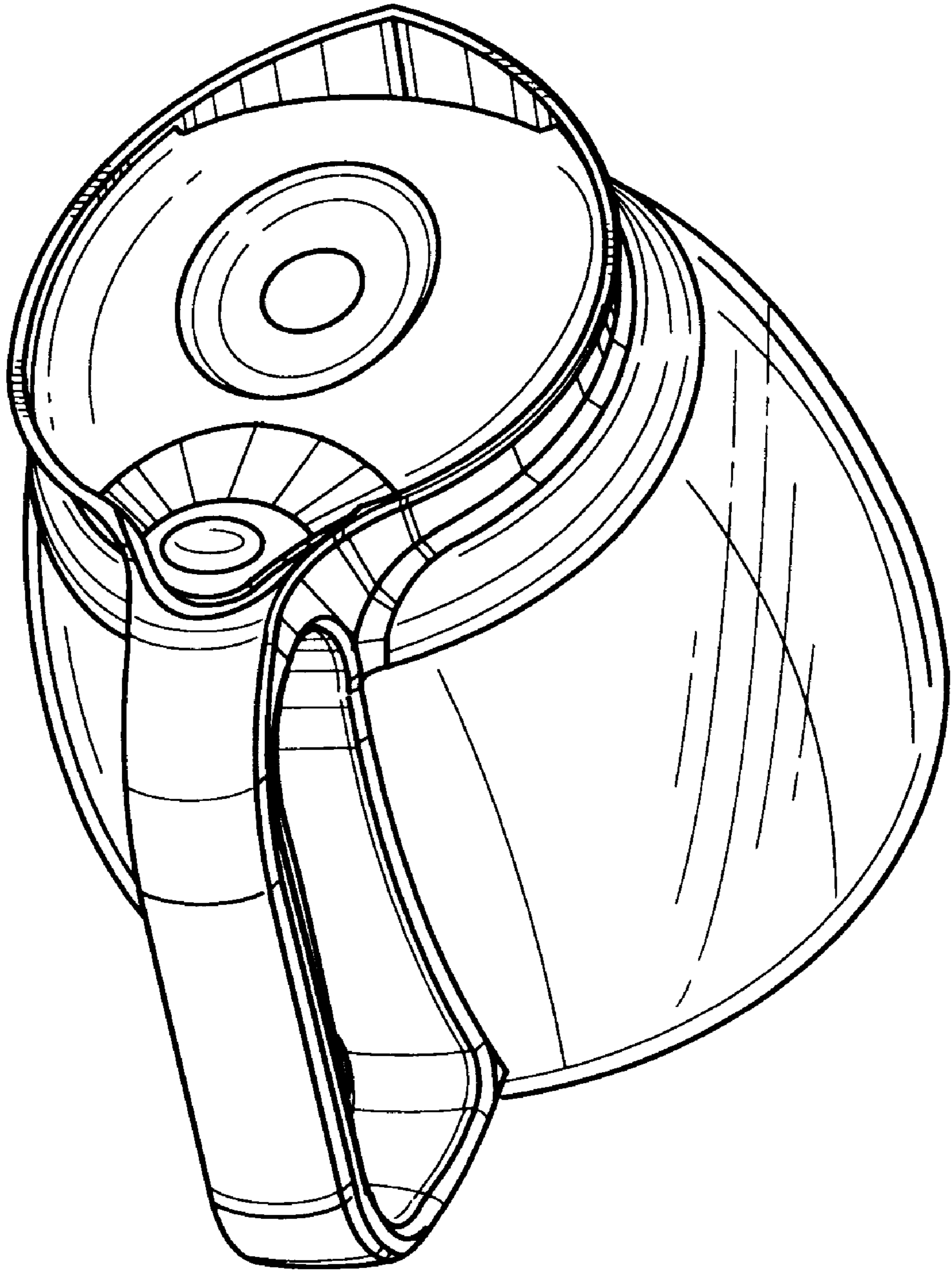


FIG. 1

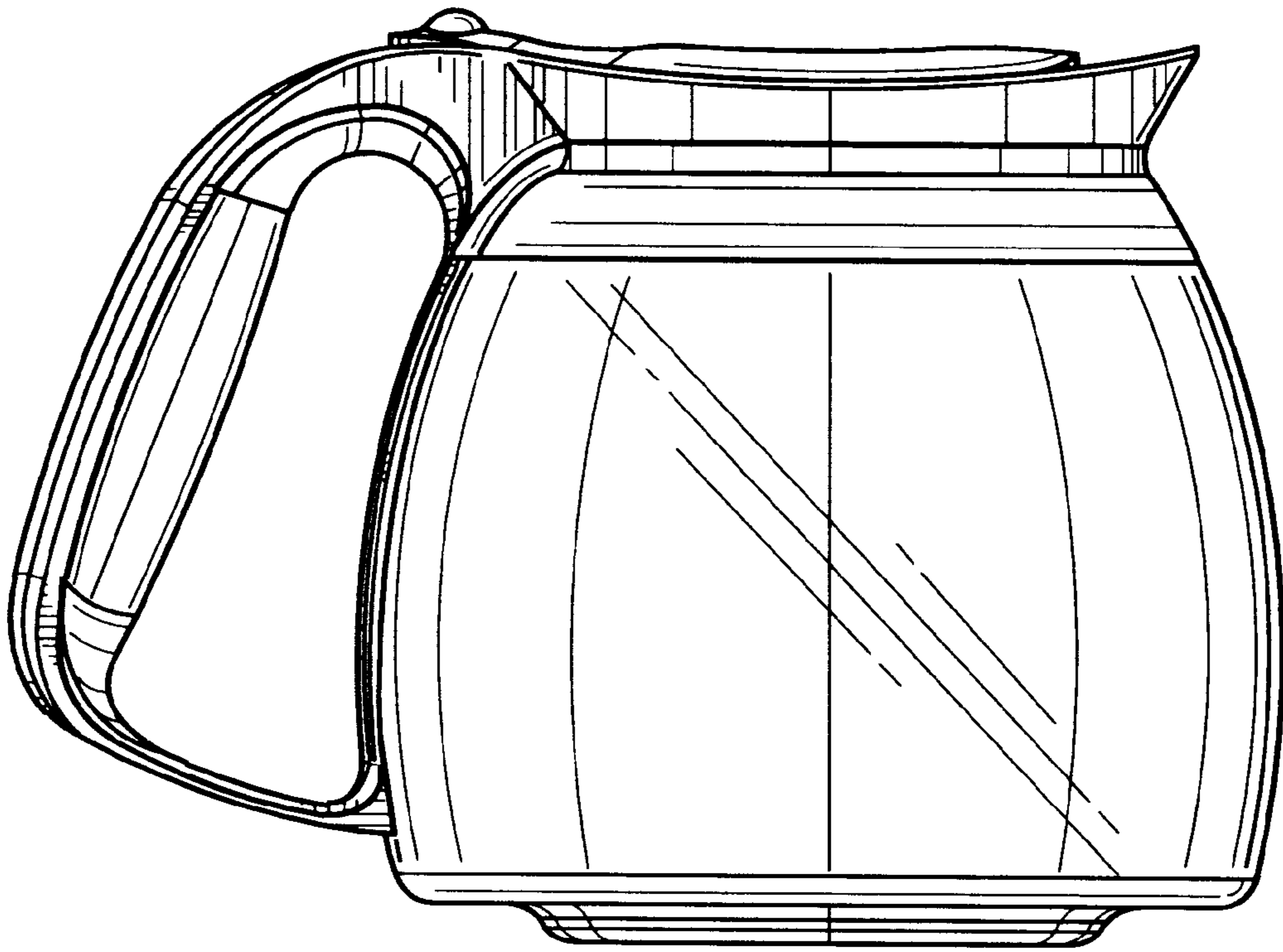


FIG. 2

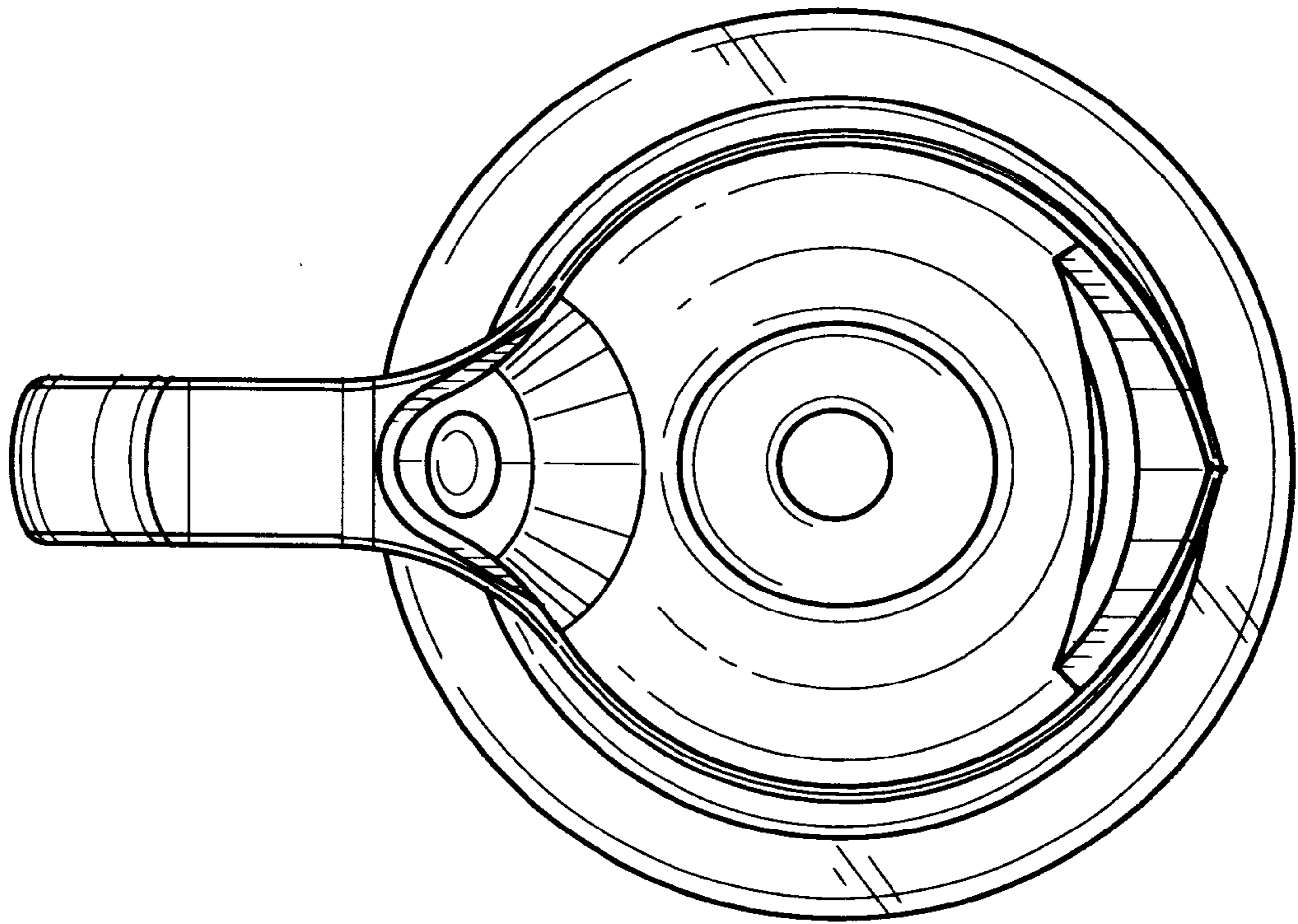


FIG. 3



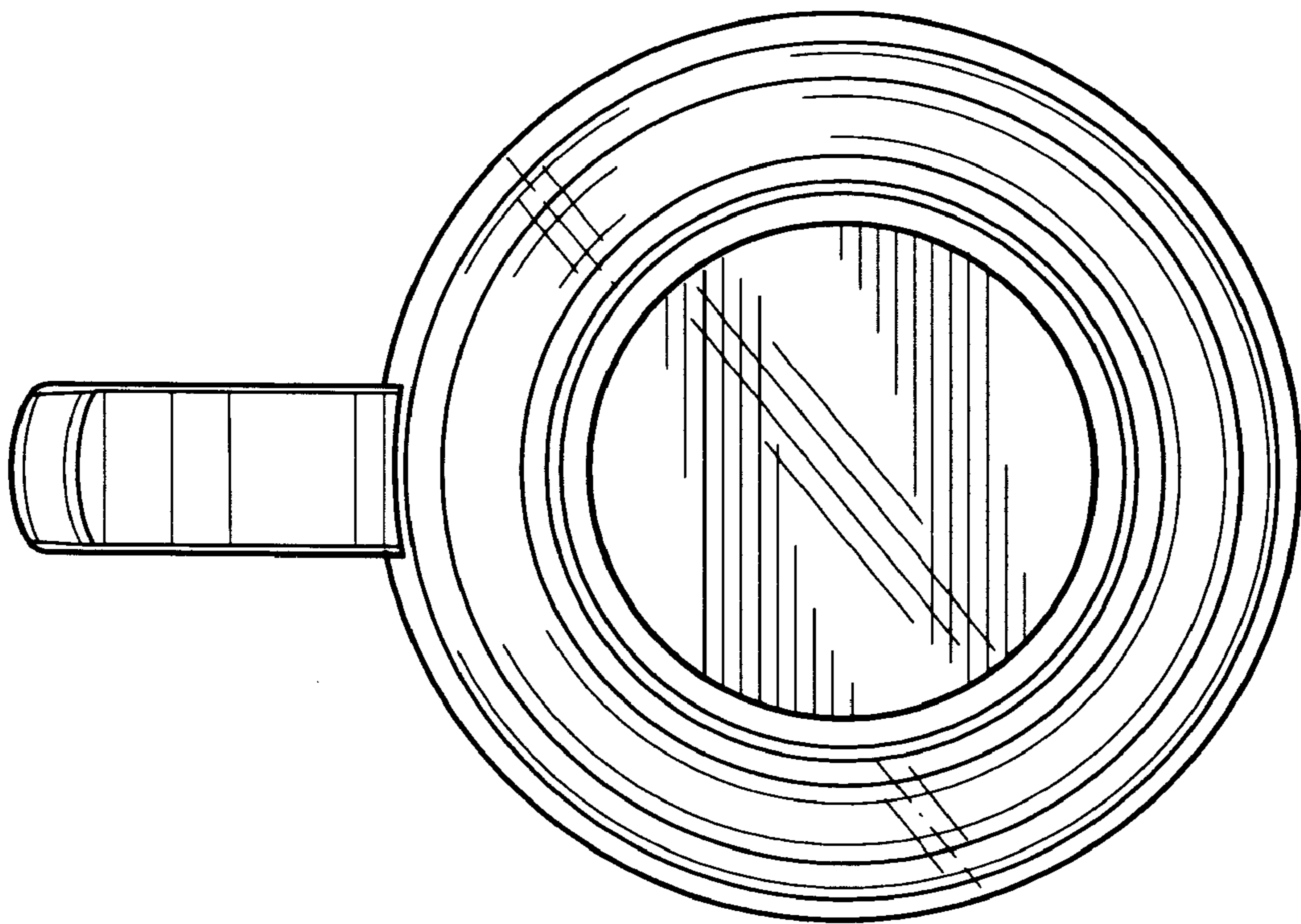


FIG. 4

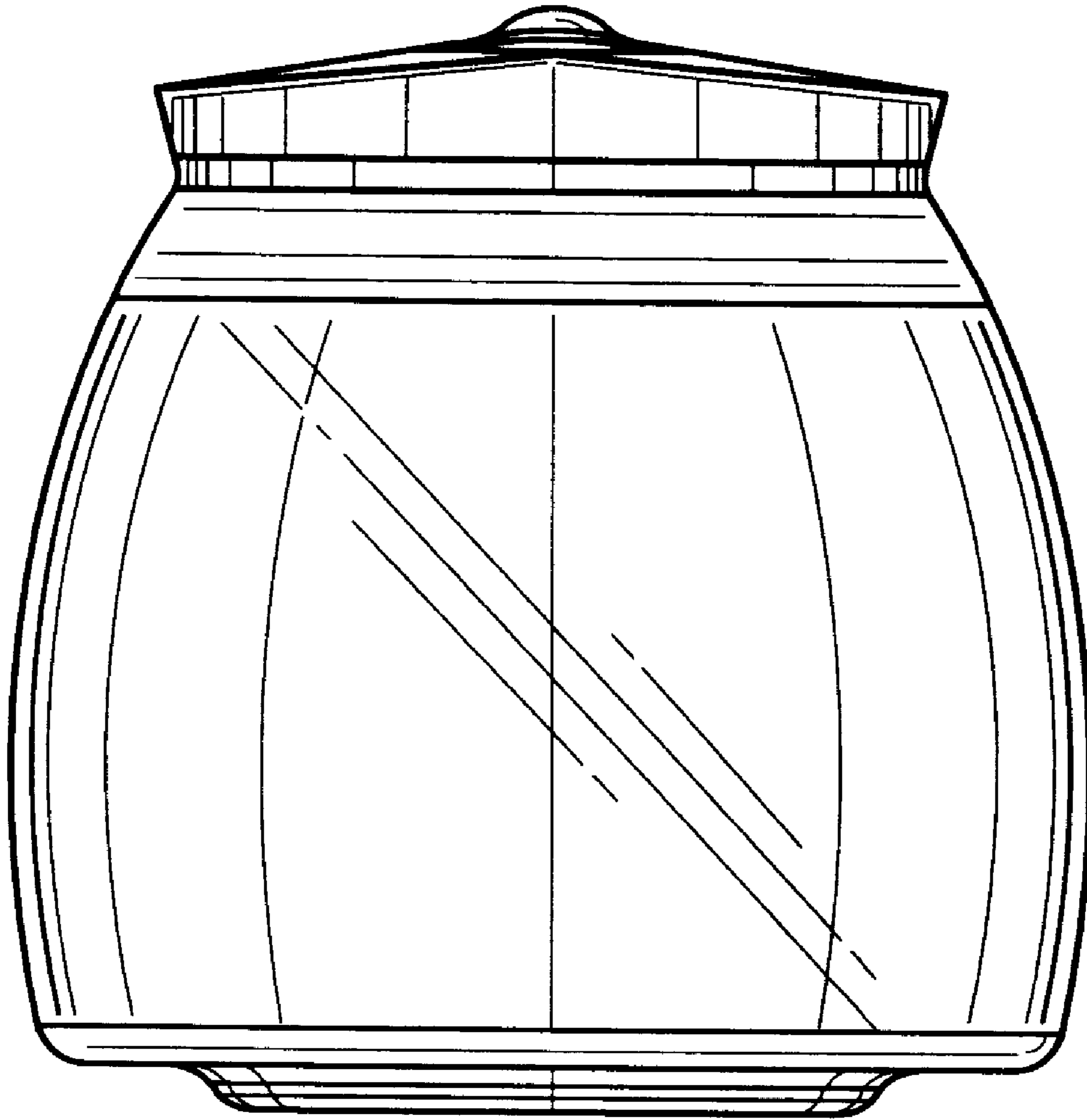


FIG. 5

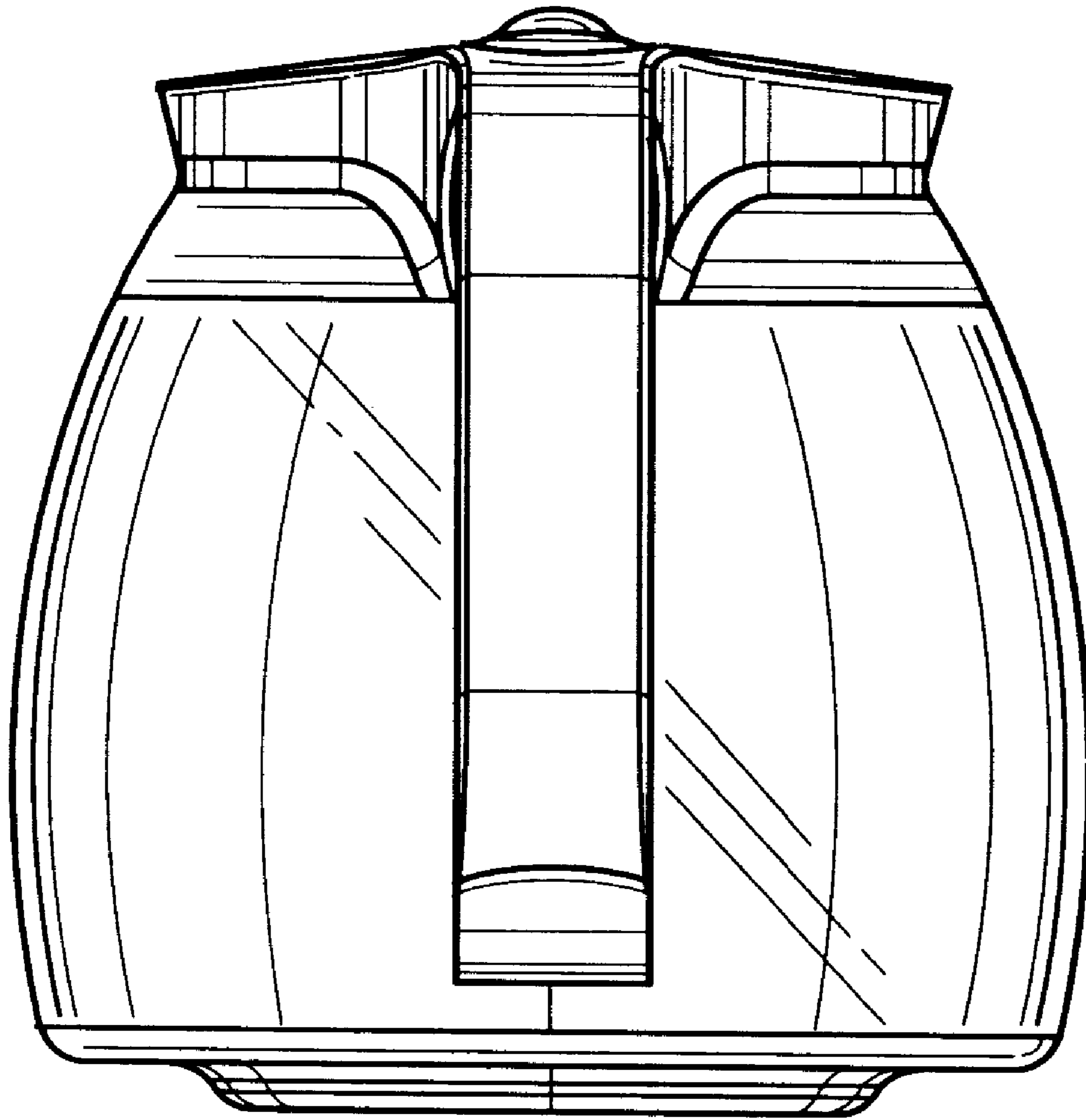


FIG. 6