



US00D442013S

(12) **United States Design Patent**
Trazzi

(10) **Patent No.:** **US D442,013 S**

(45) **Date of Patent:** **** May 15, 2001**

(54) **COFFEE MACHINE**

(75) Inventor: **Luca Trazzi, Milan (IT)**

(73) Assignee: **Petervin S.A. (LU)**

(**) Term: **14 Years**

(21) Appl. No.: **29/120,646**

(22) Filed: **Mar. 23, 2000**

(51) **LOC (7) Cl.** **07-01**

(52) **U.S. Cl.** **D7/309; D7/310; D7/311**

(58) **Field of Search** **D7/310, 309, 311,**
D7/300, 312, 308; 99/280, 284, 295, 293

(56) **References Cited**

U.S. PATENT DOCUMENTS

D. 304,408	*	11/1989	Beeren	D7/309
D. 309,842	*	8/1990	Frech	D7/308
D. 323,949	*	2/1992	Kahlcke	D7/309
D. 347,759	*	6/1994	Felip	D7/305
D. 348,373	*	7/1994	Webster	D7/311
D. 360,555	*	7/1995	Miguel	D7/309
D. 365,490	*	12/1995	Pomeroy	D7/309
D. 395,975	*	7/1998	Munoz	D7/308

D. 417,580	*	12/1999	Fusi	D7/309
D. 424,871	*	5/2000	Hahn	D7/397
D. 431,409	*	10/2000	Man	D7/309
D. 431,749	*	10/2000	Cahen	D7/309
D. 431,750	*	10/2000	Cahen	D7/309
D. 431,751	*	10/2000	Cahen	D7/309

* cited by examiner

Primary Examiner—M. N. Pandozzi

(74) *Attorney, Agent, or Firm*—Rankin, Hill, Porter & Clark LLP

(57) **CLAIM**

The ornamental design for a coffee machine, as shown and described.

DESCRIPTION

FIG. 1 is a top plan view of a coffee machine according to my new design;

FIG. 2 is a left side elevational view thereof;

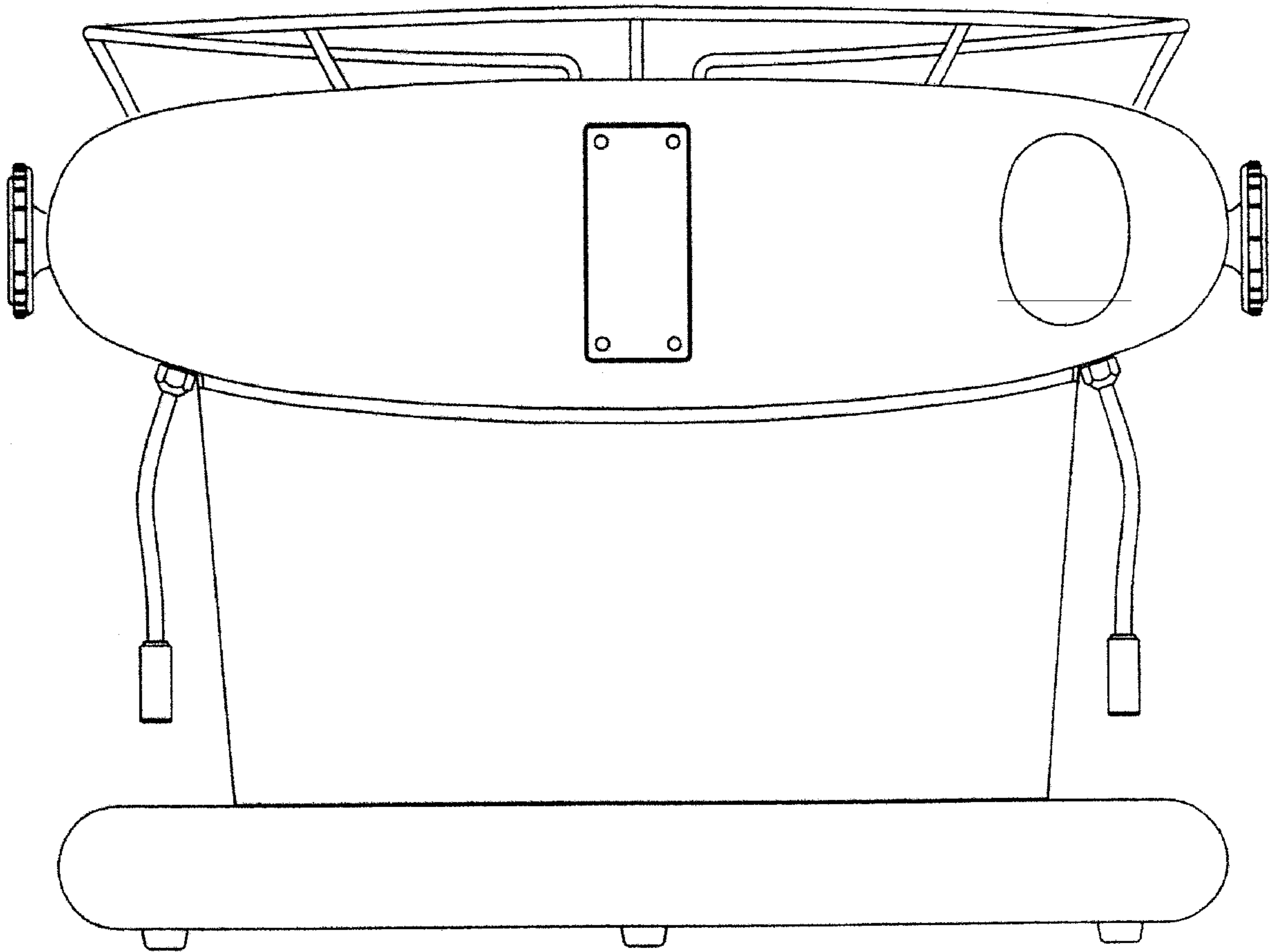
FIG. 3 is a right side elevational view thereof;

FIG. 4 is a front side elevational view thereof;

FIG. 5 is a rear side elevational view thereof; and,

FIG. 6 is a bottom plan view thereof.

1 Claim, 6 Drawing Sheets



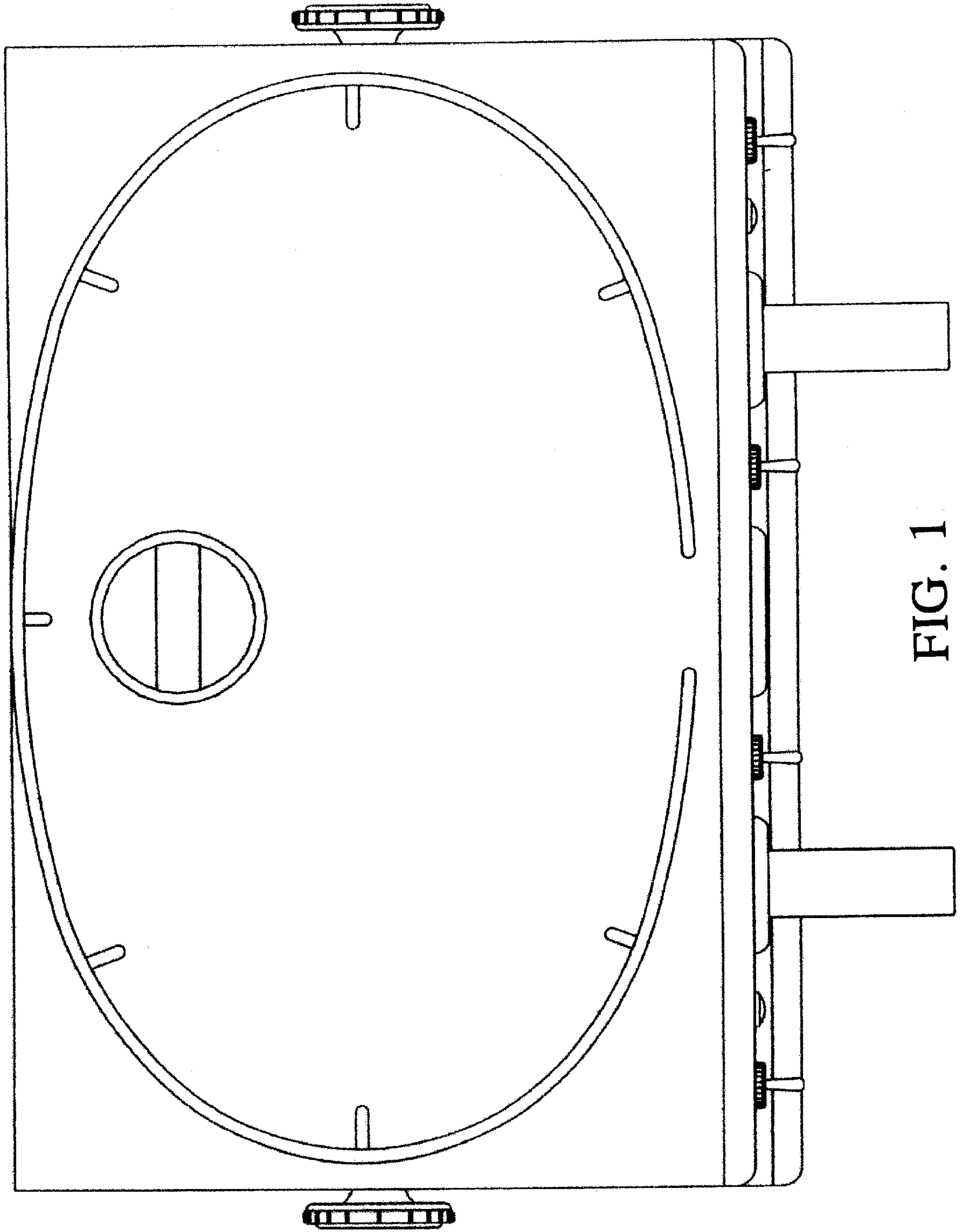


FIG. 1

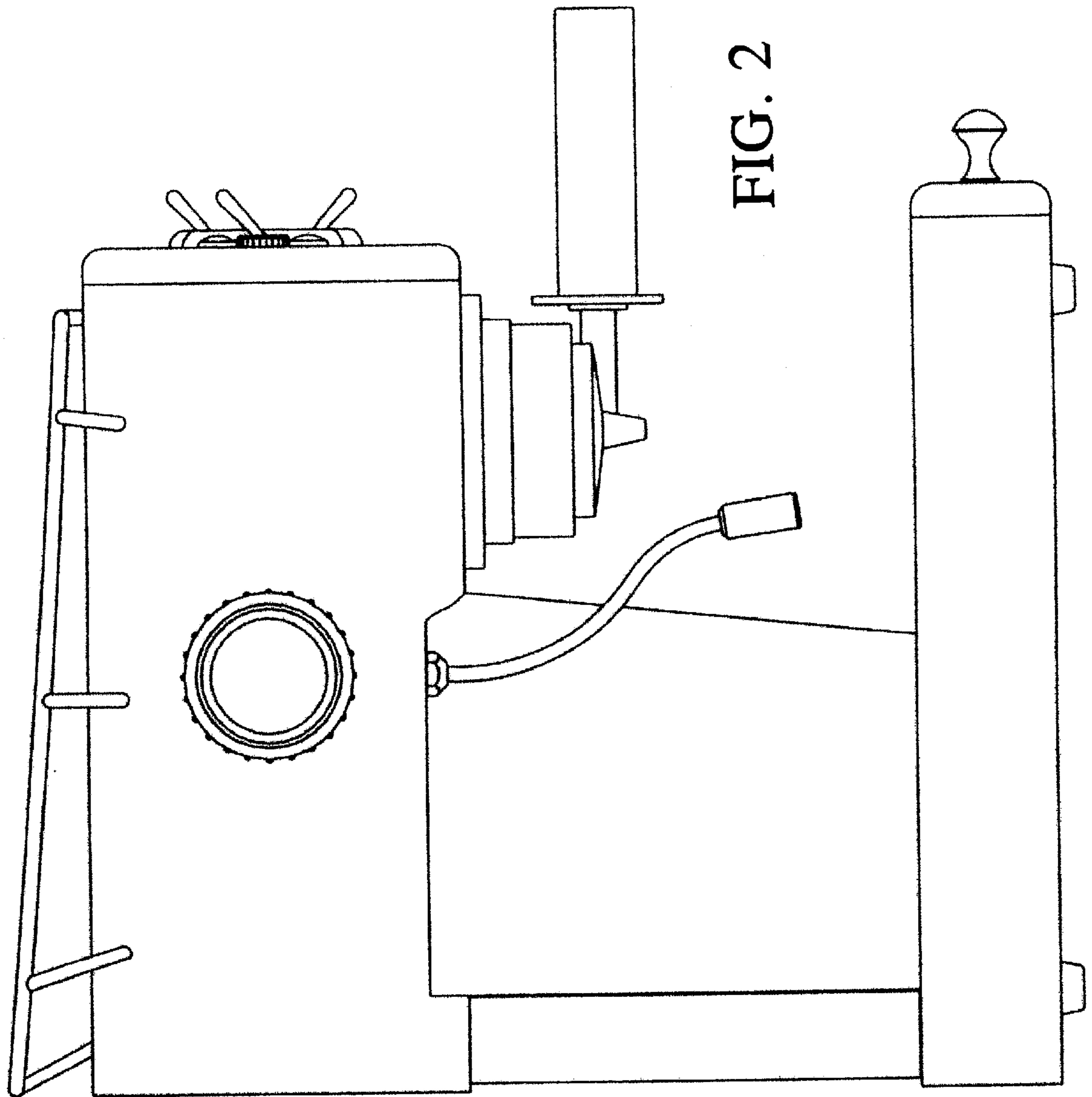
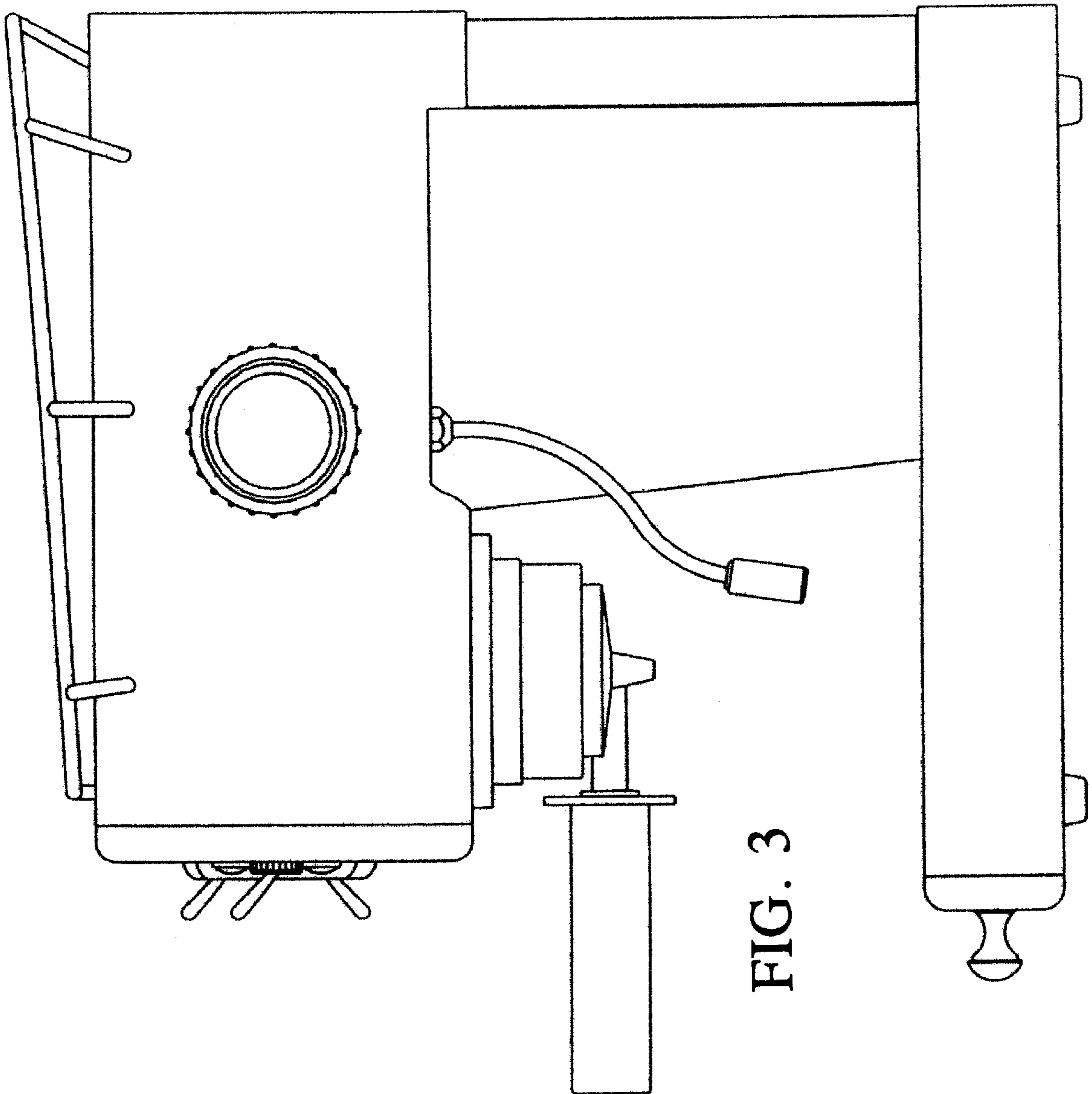


FIG. 2



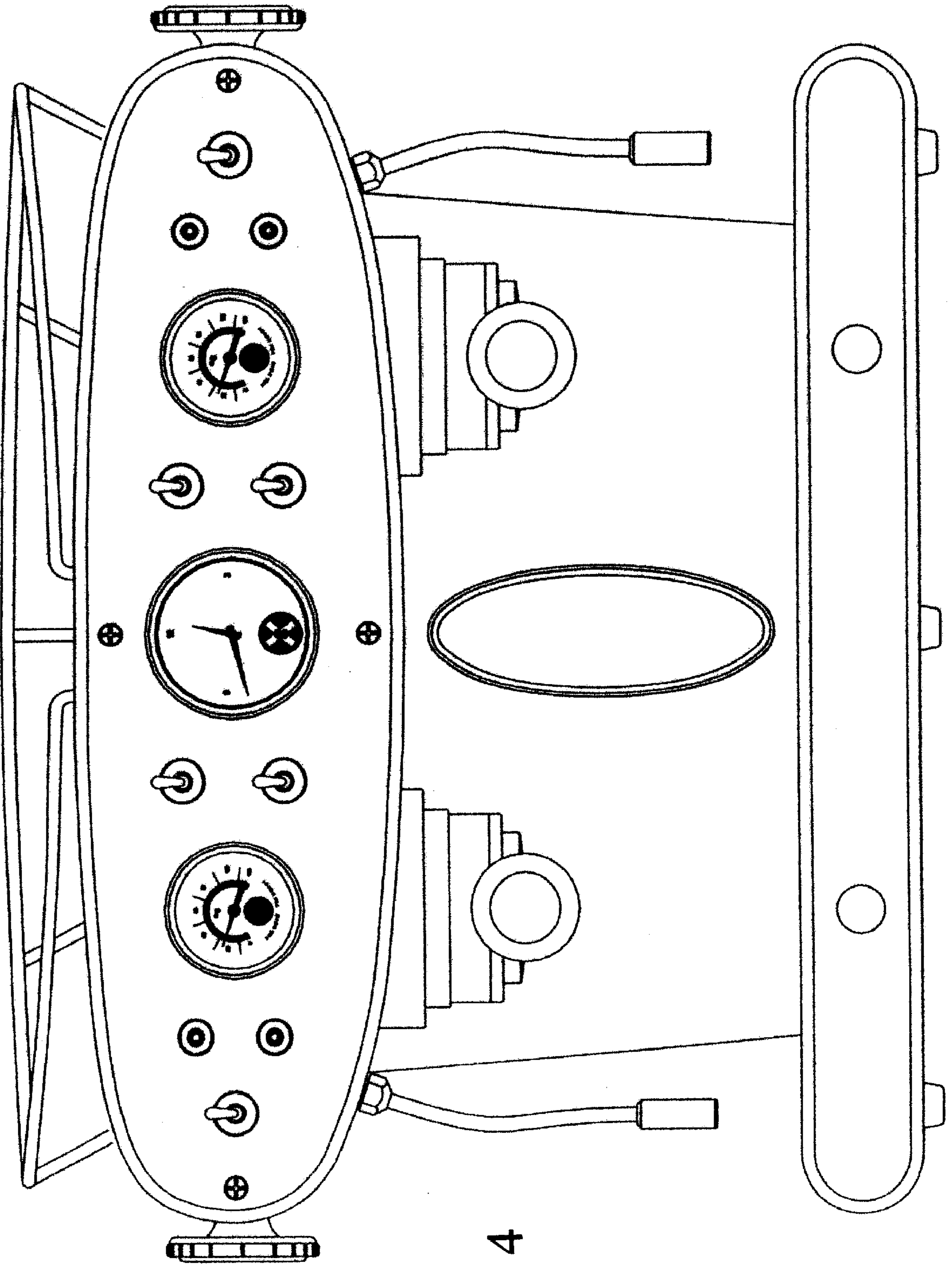
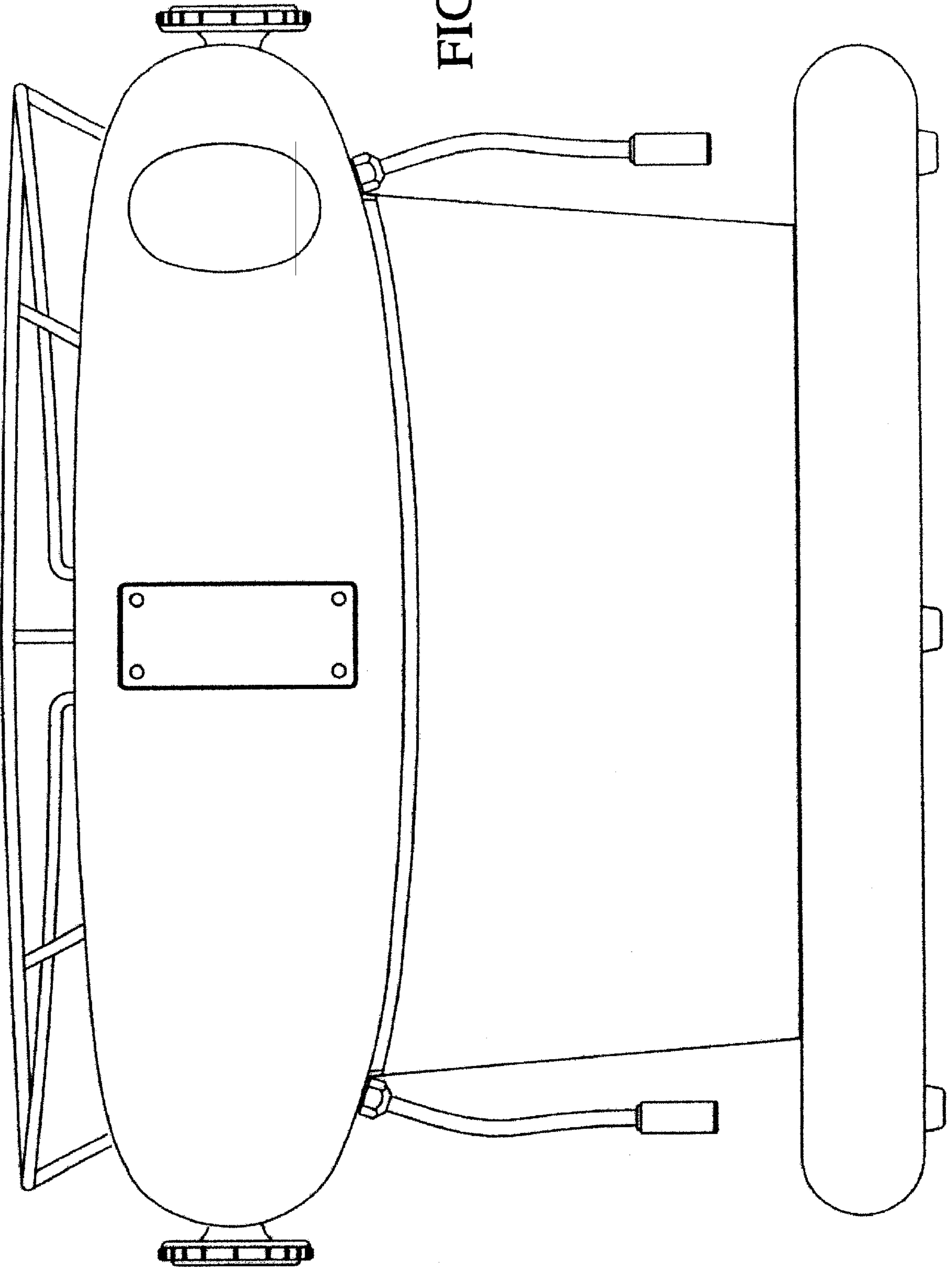


FIG. 4

FIG. 5



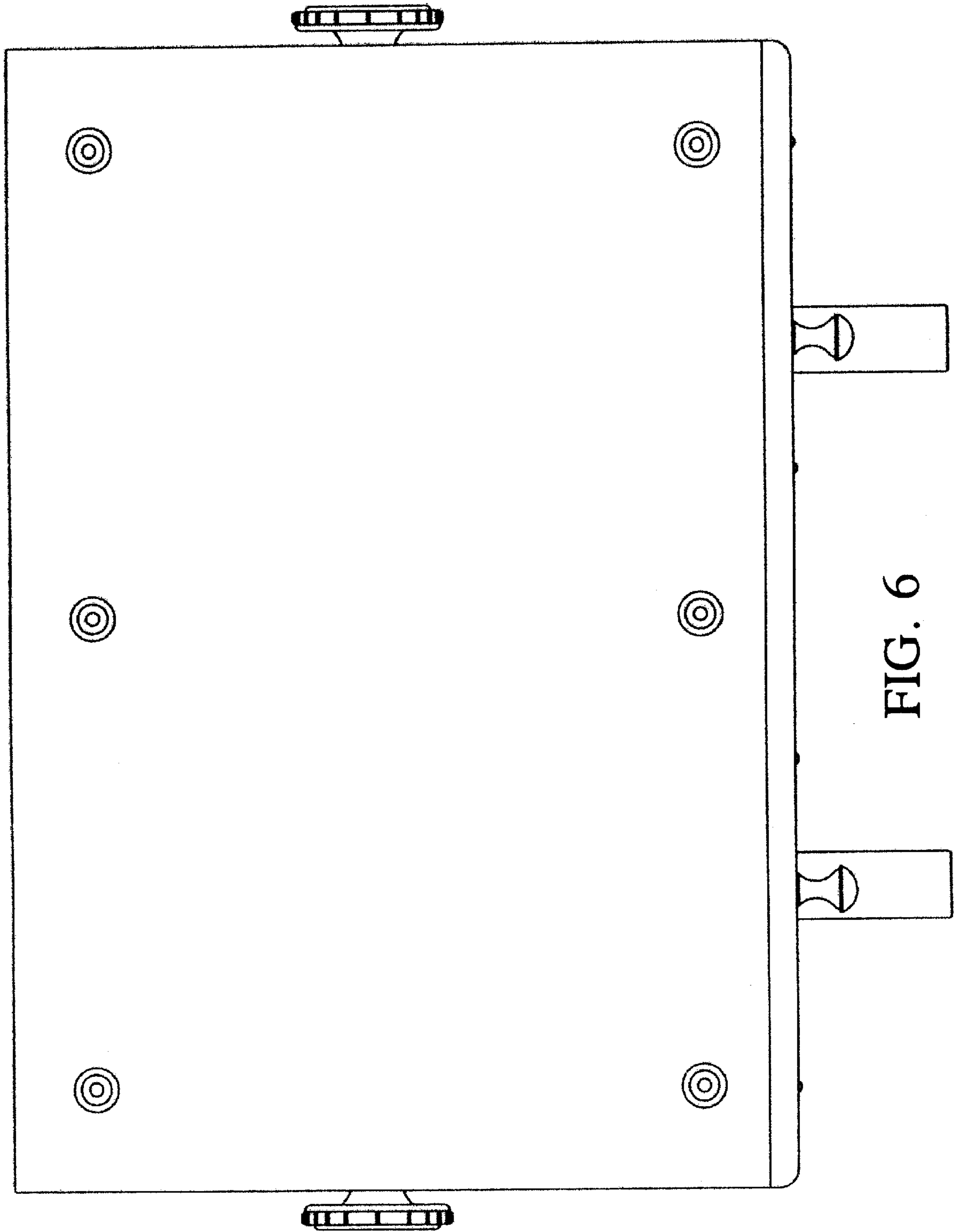


FIG. 6