



US00D442012S

(12) **United States Design Patent**  
**Haring et al.**

(10) **Patent No.:** **US D442,012 S**

(45) **Date of Patent:** **\*\* May 15, 2001**

(54) **COFFEE MAKER**

(75) Inventors: **Steven M. Haring**, Hattiesburg, MS (US); **Dana Blanchard**, Boulder, CO (US); **Jeffrey De Boer**, Ann Arbor; **Evan A. Carpenter-Crawford**, Farmington Hills, both of MI (US)

(73) Assignee: **Sunbeam Products, Inc.**, Boca Raton, FL (US)

(\*\*) Term: **14 Years**

(21) Appl. No.: **29/109,256**

(22) Filed: **Aug. 12, 1999**

(51) **LOC (7) Cl.** ..... **07-01**

(52) **U.S. Cl.** ..... **D7/309**

(58) **Field of Search** ..... D7/300, 309-311; 99/305, 307, 295, 304, 306, 308-312, 316

(56) **References Cited**

**U.S. PATENT DOCUMENTS**

- D. 424,360 \* 5/2000 Schwarz et al. .... D7/309
- 6,009,793 \* 6/2000 Blankenship et al. .... 99/307
- 6,101,924 \* 5/2000 Blankenship et al. .... 99/305 X

\* cited by examiner

*Primary Examiner*—Antoine Duval Davis  
(74) *Attorney, Agent, or Firm*—Kramer Levin Naftalis & Frankel LLP

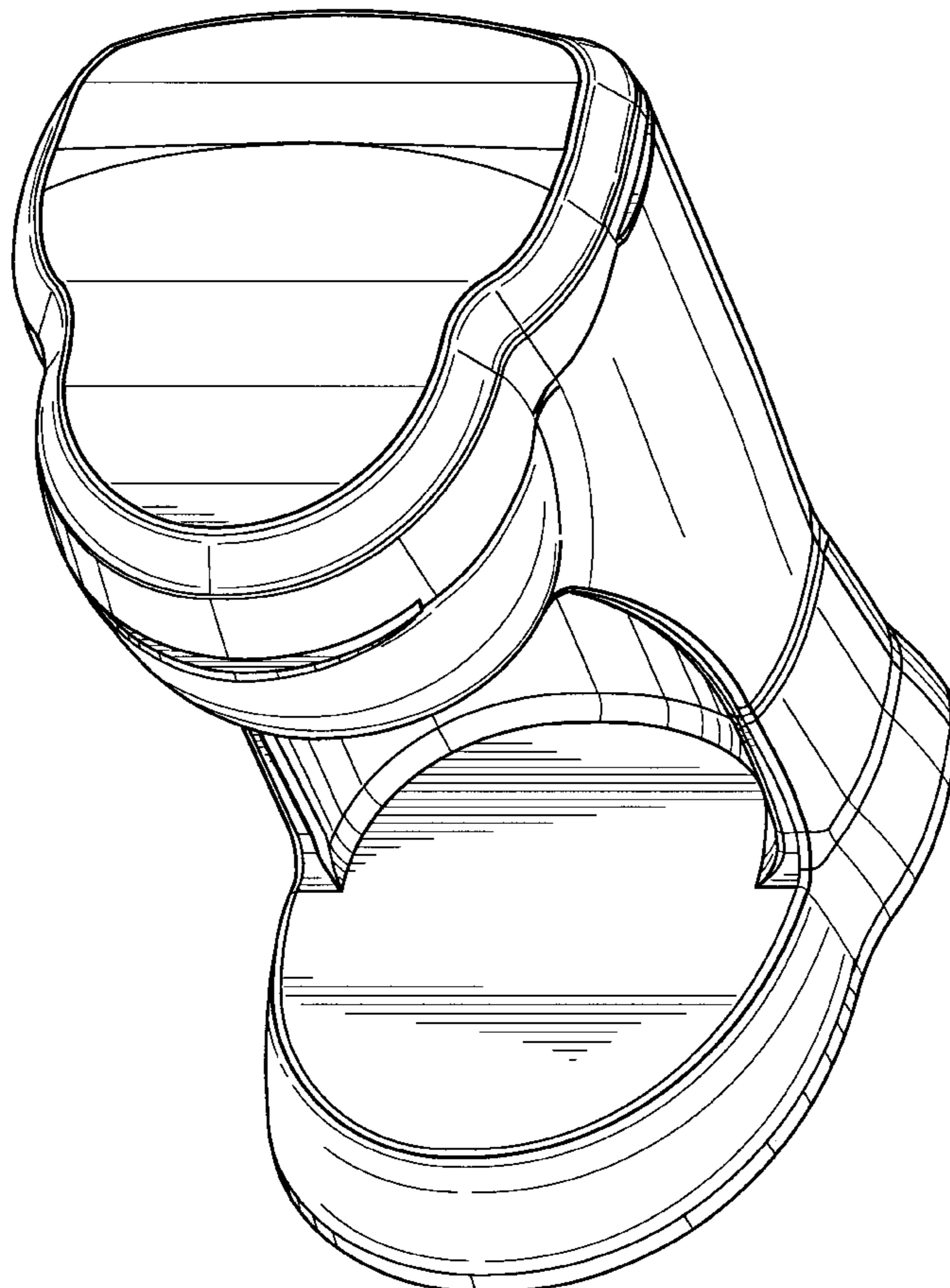
(57) **CLAIM**

The ornamental design for a coffee maker, as shown and described.

**DESCRIPTION**

FIG. 1 is a front elevational plan view thereof for a first embodiment;  
 FIG. 2 is a left plan view thereof for the first embodiment;  
 FIG. 3 is a top plan view thereof for the first embodiment;  
 FIG. 4 is a bottom plan view thereof for the first embodiment;  
 FIG. 5 is a front plan view thereof for the first embodiment;  
 FIG. 6 is a back plan view for the first embodiment;  
 FIG. 7 is a front elevational plan view thereof for a second embodiment;  
 FIG. 8 is a left plan view thereof for the second embodiment;  
 FIG. 9 is a top plan view thereof for the second embodiment;  
 FIG. 10 is a bottom plan view thereof for the second embodiment;  
 FIG. 11 is a front plan view thereof for the second embodiment; and,  
 FIG. 12 is a back plan view for the second embodiment.

**1 Claim, 12 Drawing Sheets**



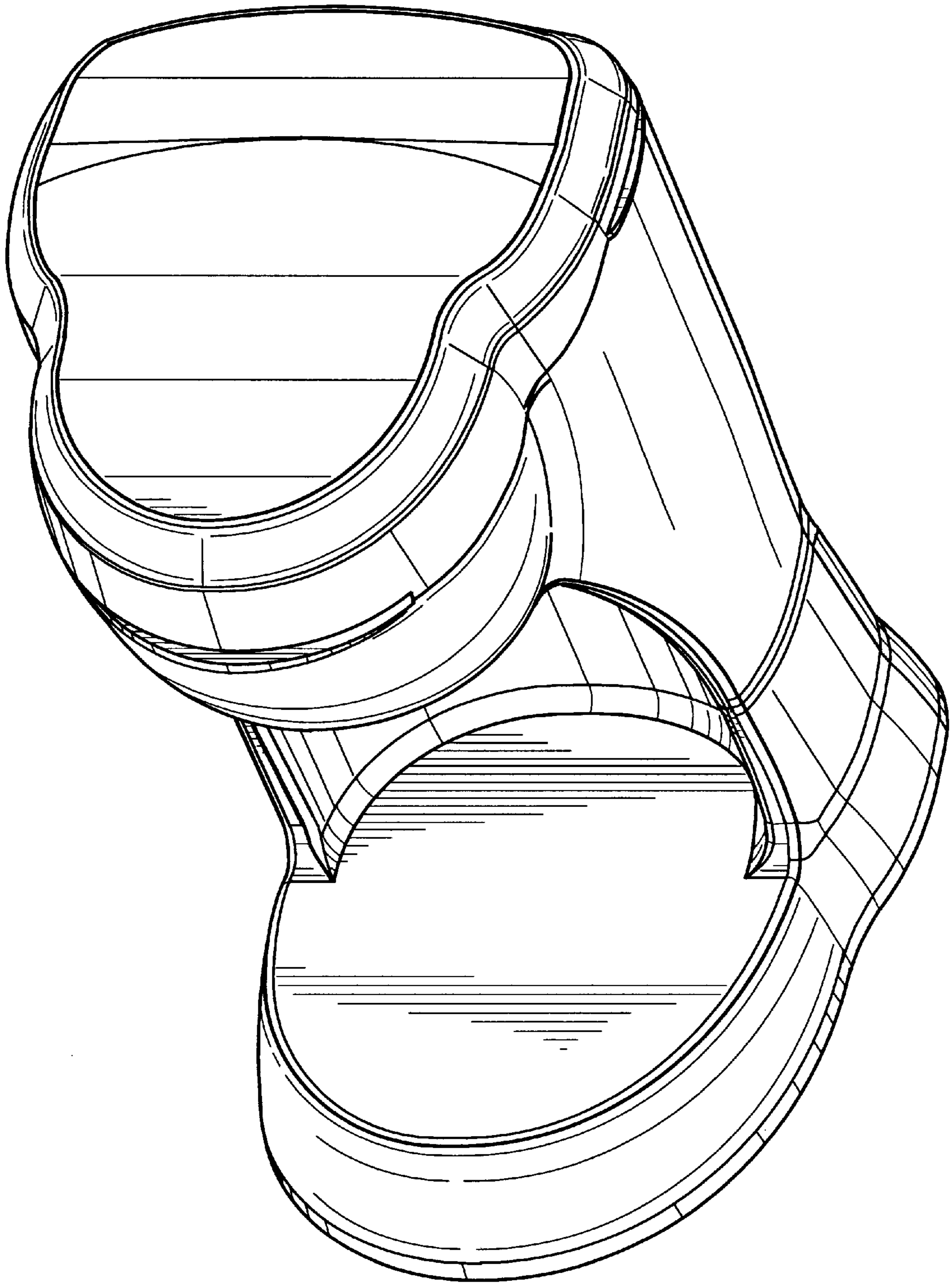


FIG. 1

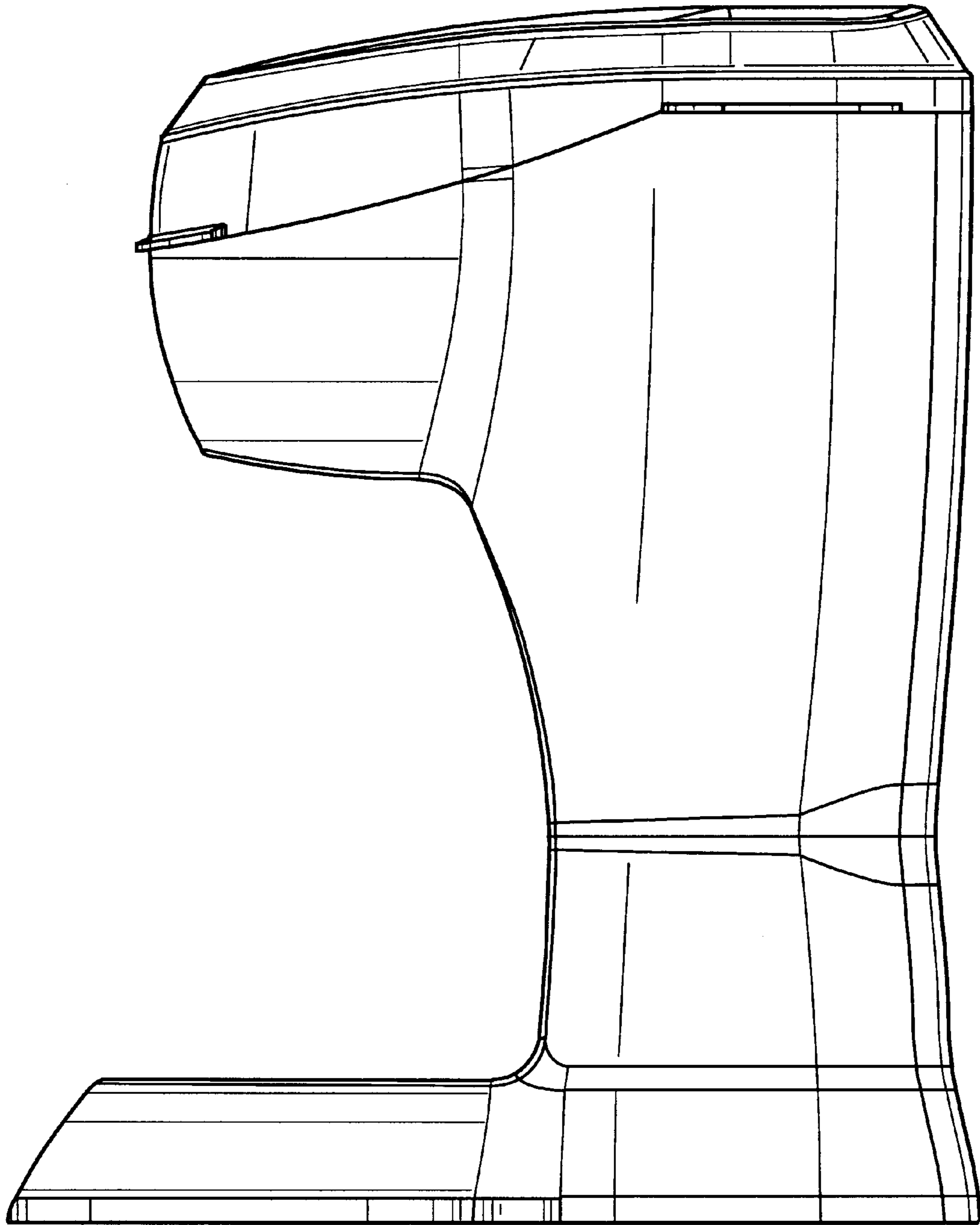


FIG. 2

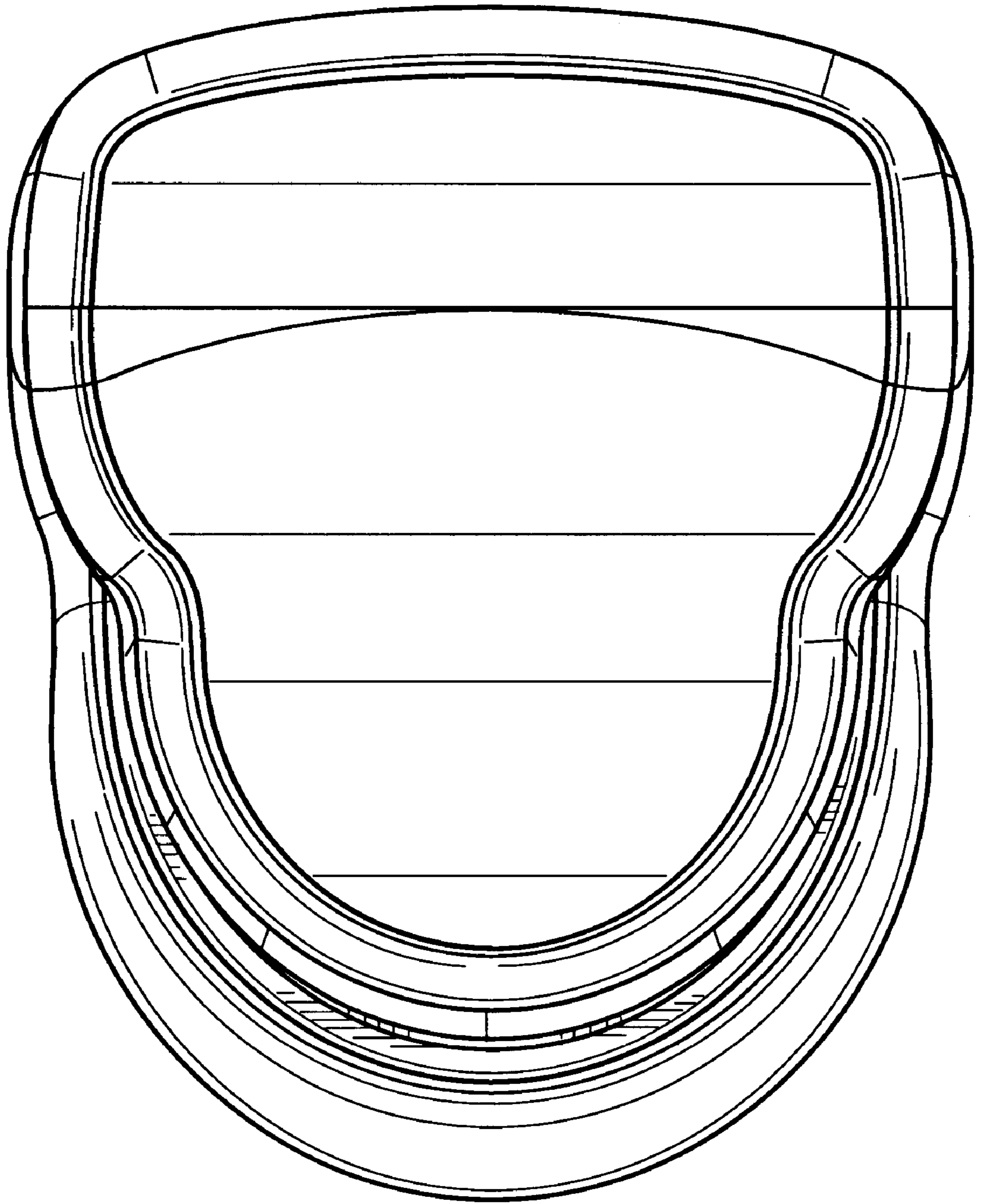


FIG. 3

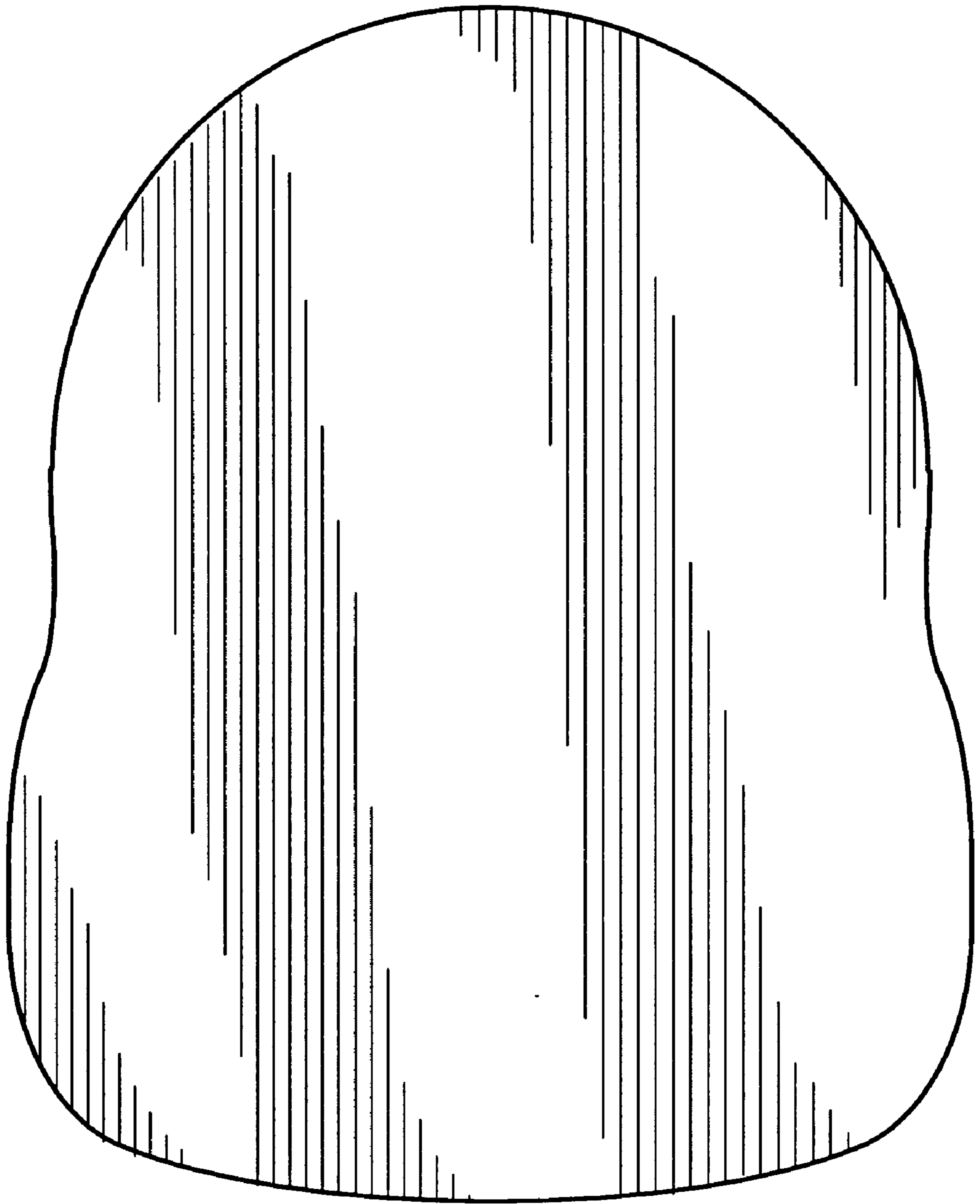


FIG. 4



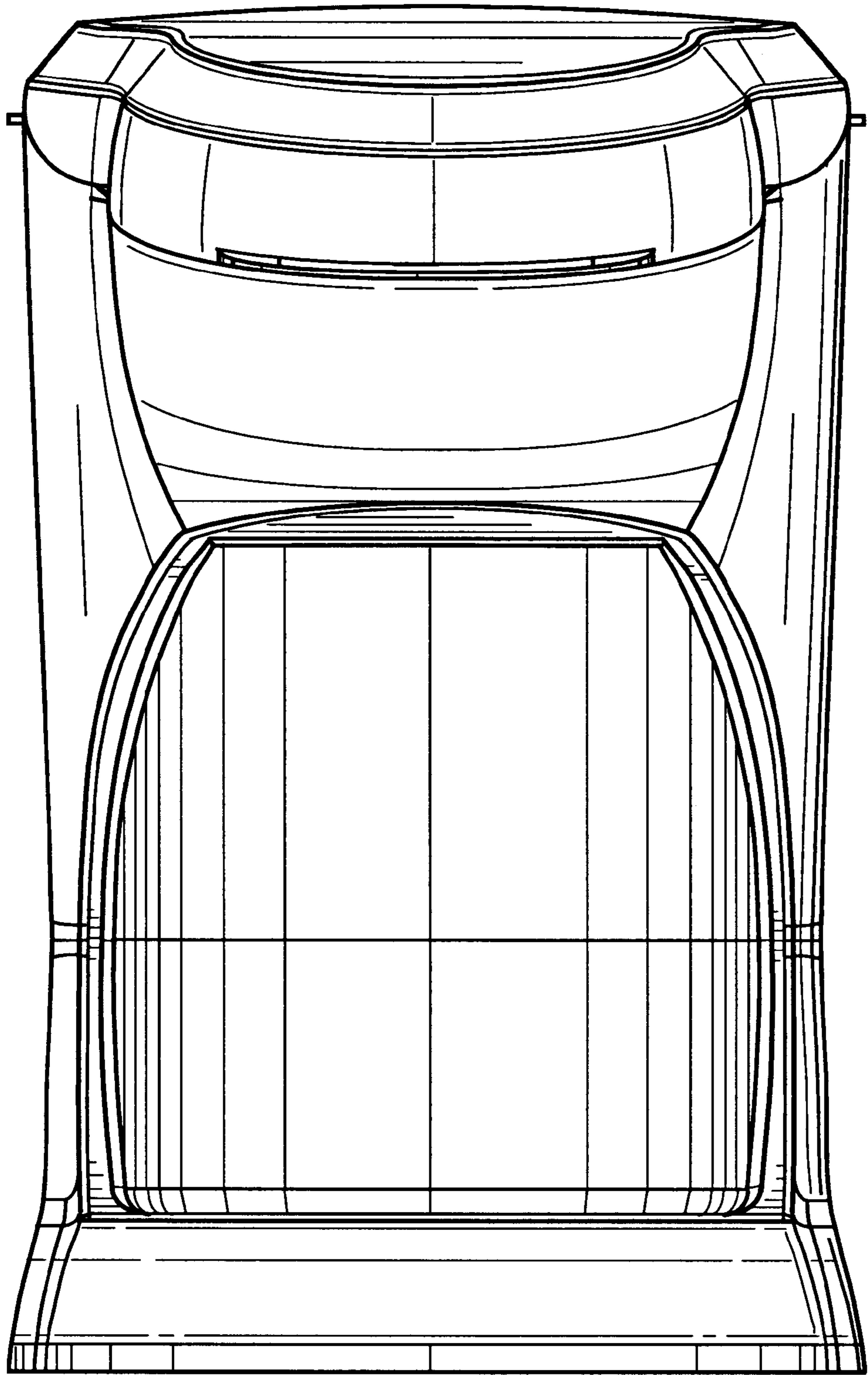


FIG. 5

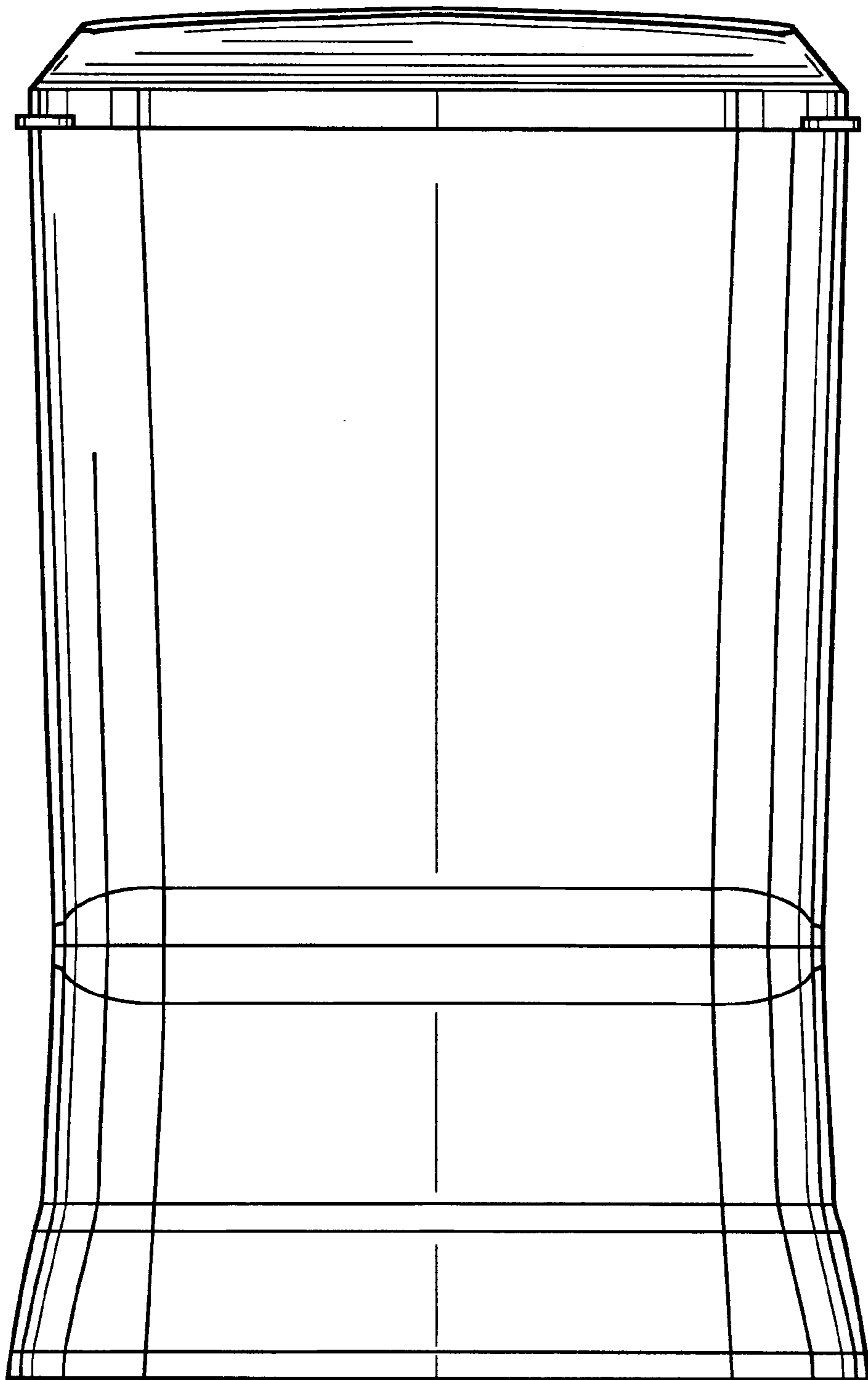


FIG. 6

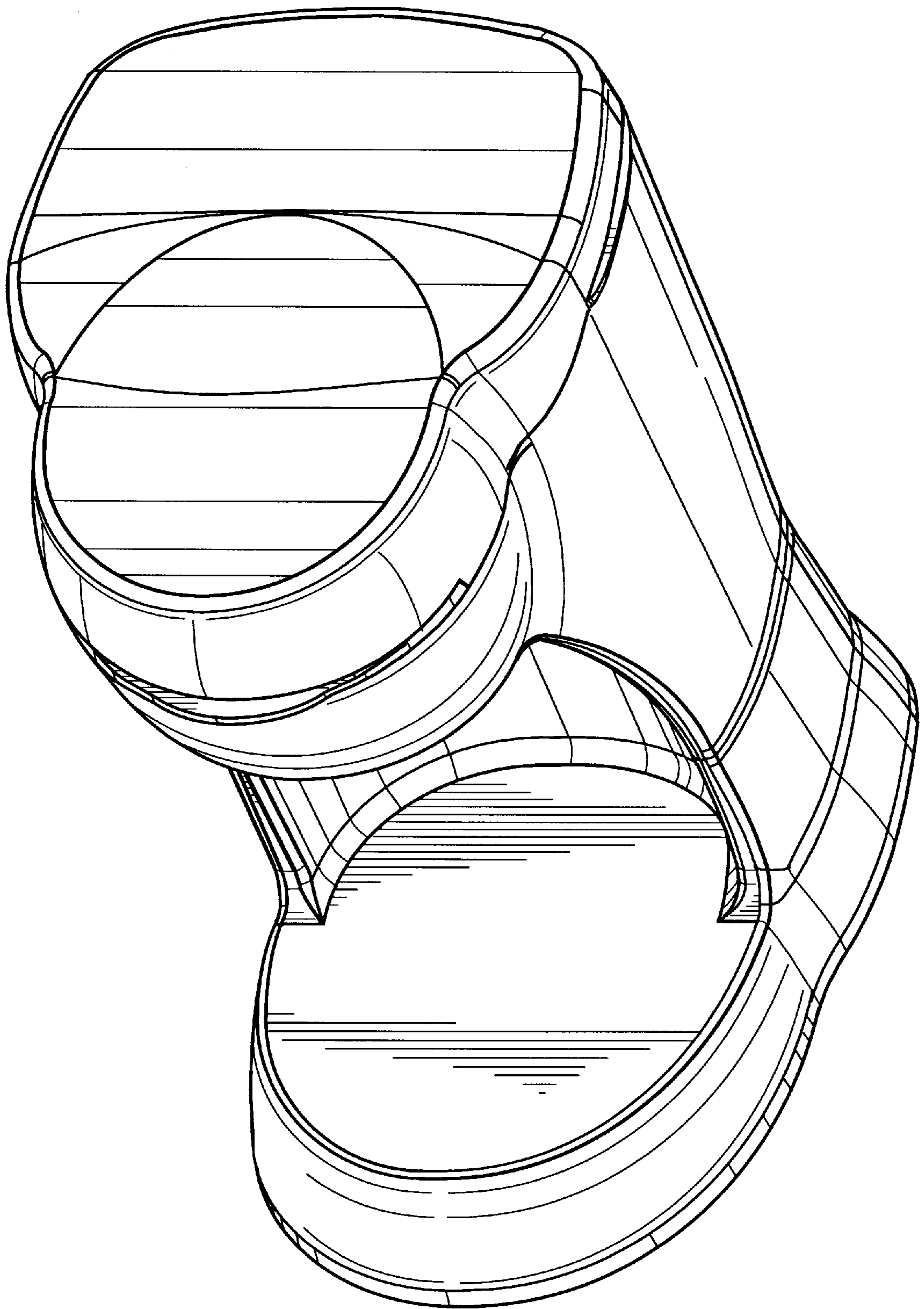


FIG. 7



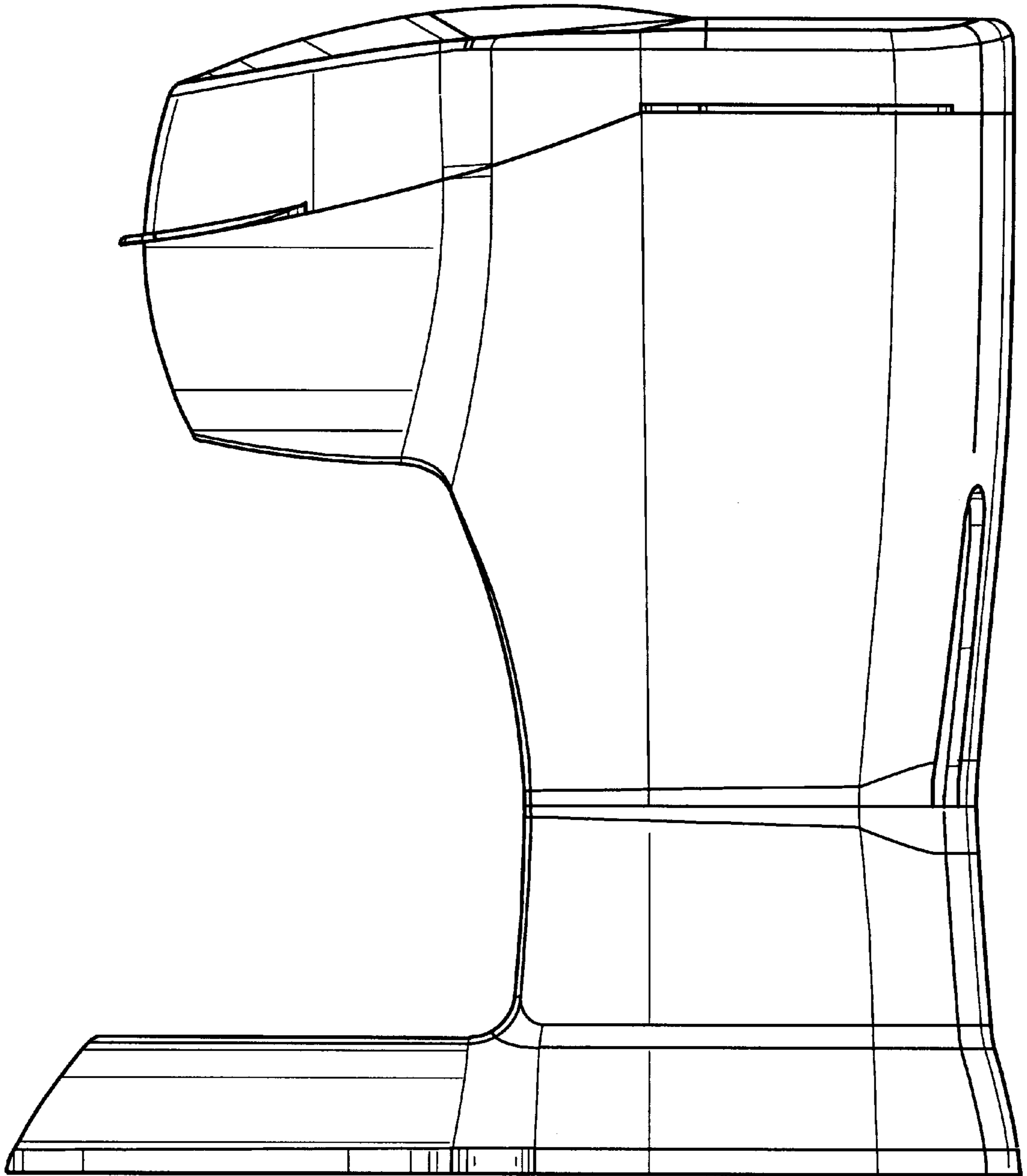


FIG. 8

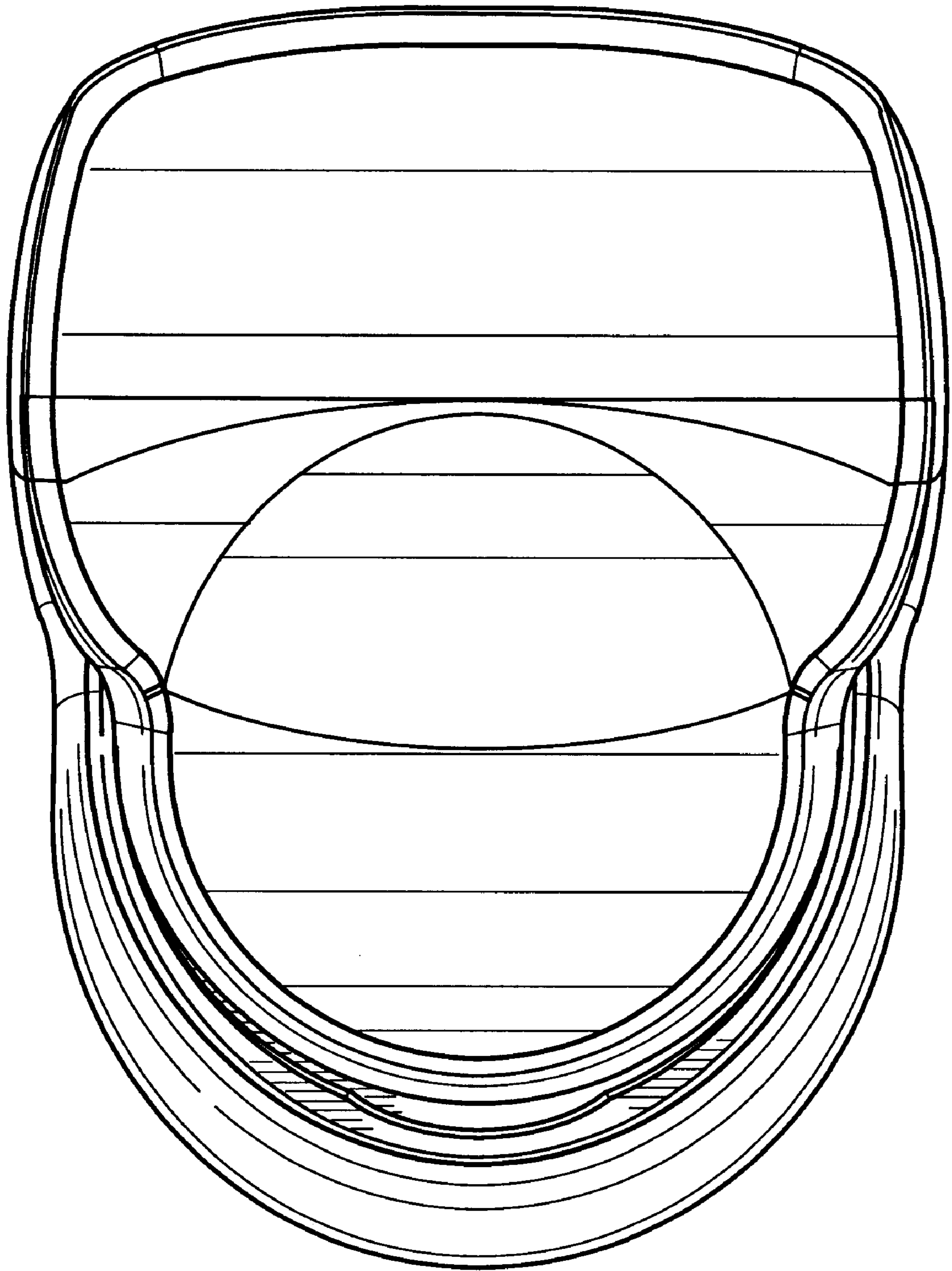


FIG. 9

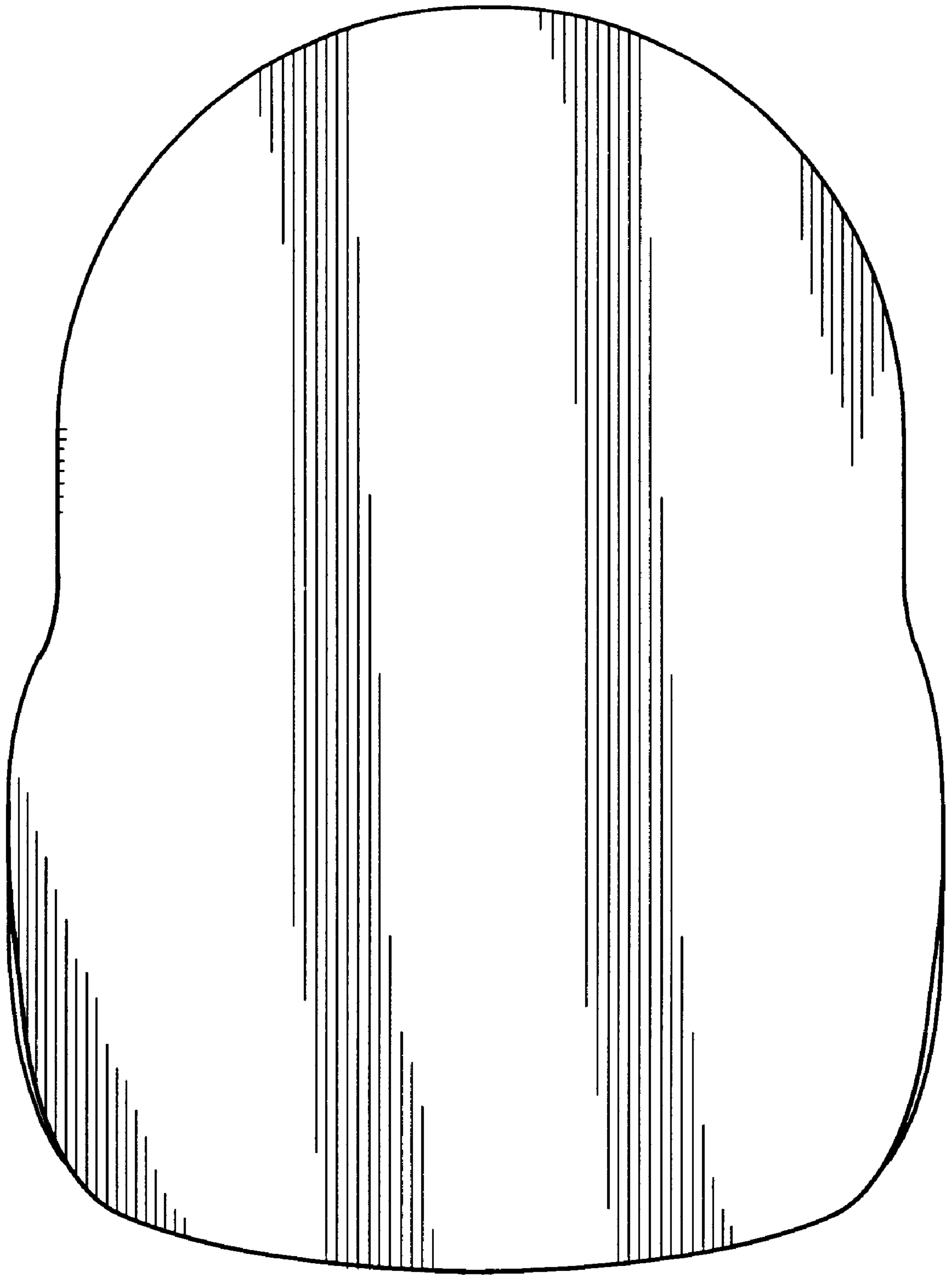


FIG. 10

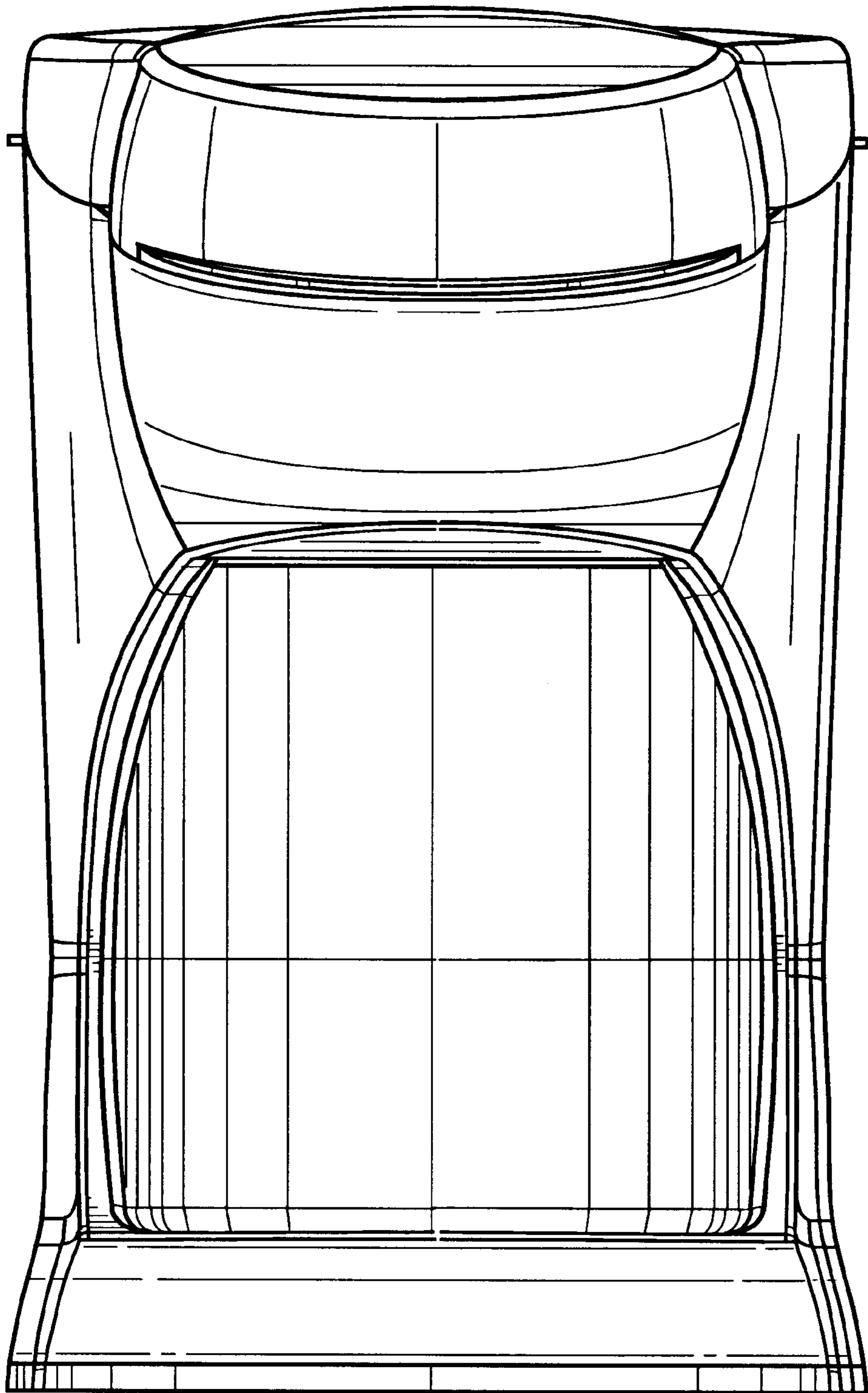


FIG. 11

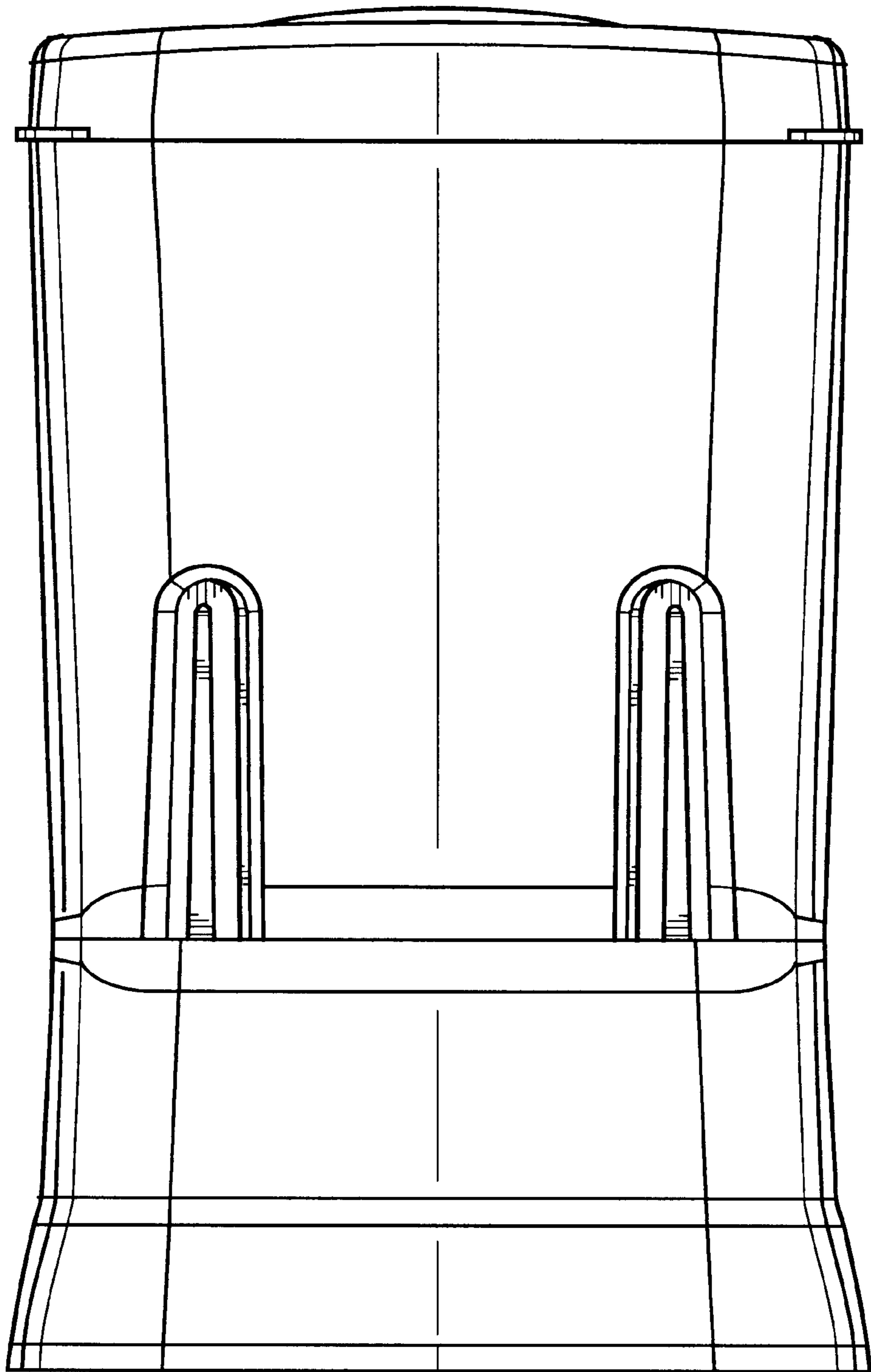


FIG. 12