



US00D442010S

(12) **United States Design Patent**  
**Collin et al.**

(10) **Patent No.:** **US D442,010 S**

(45) **Date of Patent:** **\*\* May 15, 2001**

(54) **CARBONATING DEVICE**

(75) Inventors: **James Richard Collin**, Shropshire;  
**Peter Carr**, Hertfordshire, both of (GB)

(73) Assignee: **Atchison Investments Limited** (GI)

(\*\*) Term: **14 Years**

(21) Appl. No.: **29/115,857**

(22) Filed: **Dec. 21, 1999**

(51) **LOC (7) Cl.** ..... **07-01**

(52) **U.S. Cl.** ..... **D7/306; D7/300; D7/300.1**

(58) **Field of Search** ..... **D7/300, 312, 300.1,**  
**D7/306; D23/207, 209; 141/46; 215/11.5;**  
**222/394**

(56) **References Cited**

**U.S. PATENT DOCUMENTS**

D. 259,567	*	6/1981	Grange	.....	D7/300
D. 276,021	*	10/1984	Mabb	.....	D7/300
D. 290,439	*	6/1987	Weaver	.....	D7/300
D. 309,494	*	7/1990	Riley	.....	D23/209
D. 311,296	*	10/1990	Santoiemmo	.....	D7/300
D. 336,208	*	6/1993	Gibert	.....	D7/312
D. 338,366	*	8/1993	Ueda et al.	.....	D7/312
D. 343,545	*	1/1994	Billet	.....	D7/306
D. 386,350	*	11/1997	Mogadam	.....	D7/312

D. 394,778	*	6/1998	Arns et al.	.....	D7/313
D. 408,494	*	4/1999	Parise	.....	D23/209
D. 414,240	*	9/1999	Kool et al.	.....	D23/207
D. 415,818	*	10/1999	Kruepke et al.	.....	D23/207
2,928,576	*	3/1960	Kochner	.....	222/394

\* cited by examiner

*Primary Examiner*—M. N. Pandozzi

(74) *Attorney, Agent, or Firm*—Fay, Sharpe, Fagan,  
Minnich & McKee, LLP

(57) **CLAIM**

The ornamental design for a carbonating device, as shown and described.

**DESCRIPTION**

FIG. 1 is a rear elevational view of a carbonating device showing our new design;  
 FIG. 2 is left side elevational view thereof;  
 FIG. 3 is a right side elevational view thereof;  
 FIG. 4 is a front elevational view thereof;  
 FIG. 5 is a top plan view thereof;  
 FIG. 6 is a bottom plan view thereof; and,  
 FIG. 7 is a front elevational view thereof with a part thereof being located in an alternate position.  
 The broken lines in FIGS. 2,3,4, and 7 are for illustrative purposes only and form no part of the claimed design.

**1 Claim, 2 Drawing Sheets**

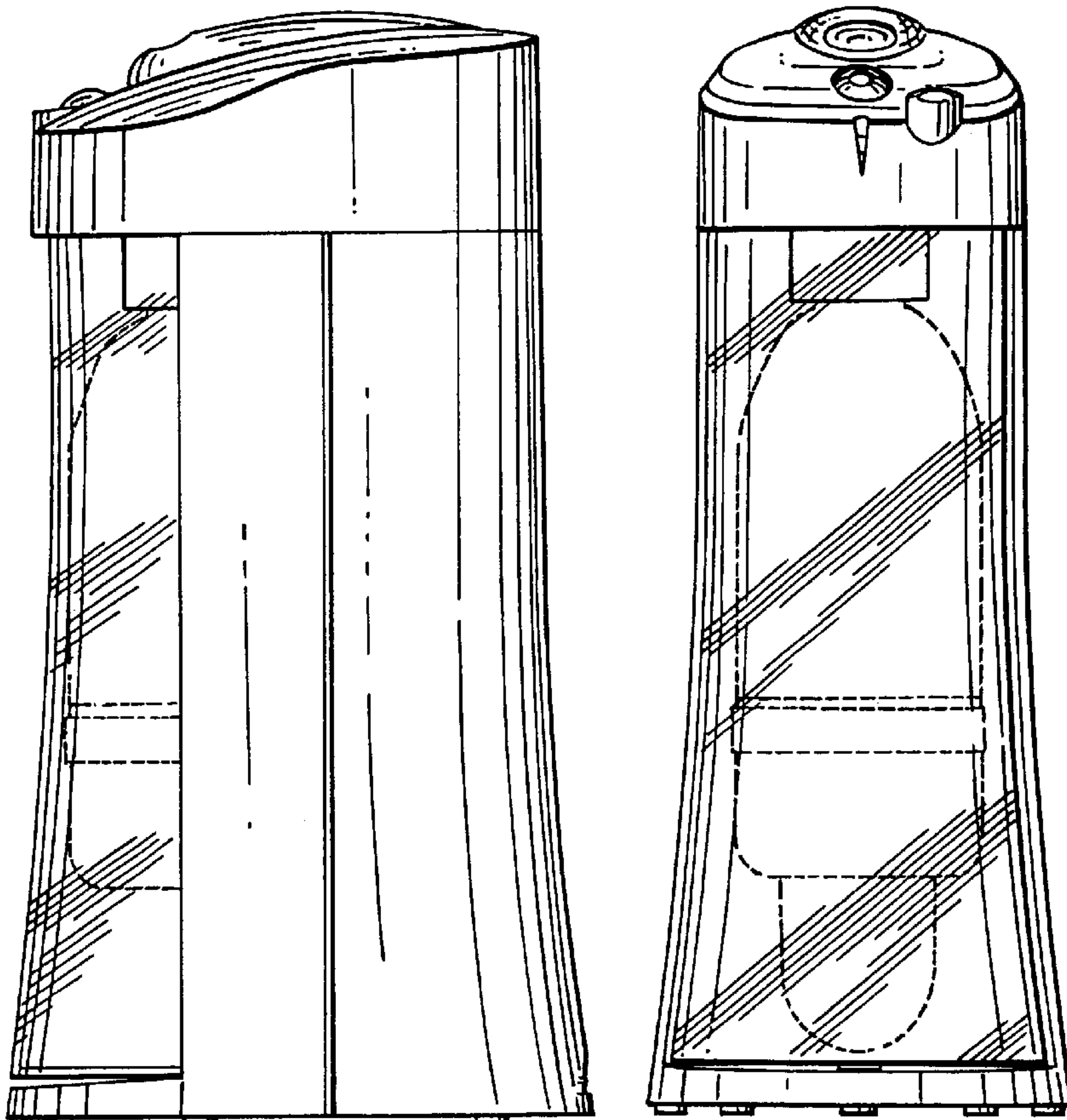


FIG. 1

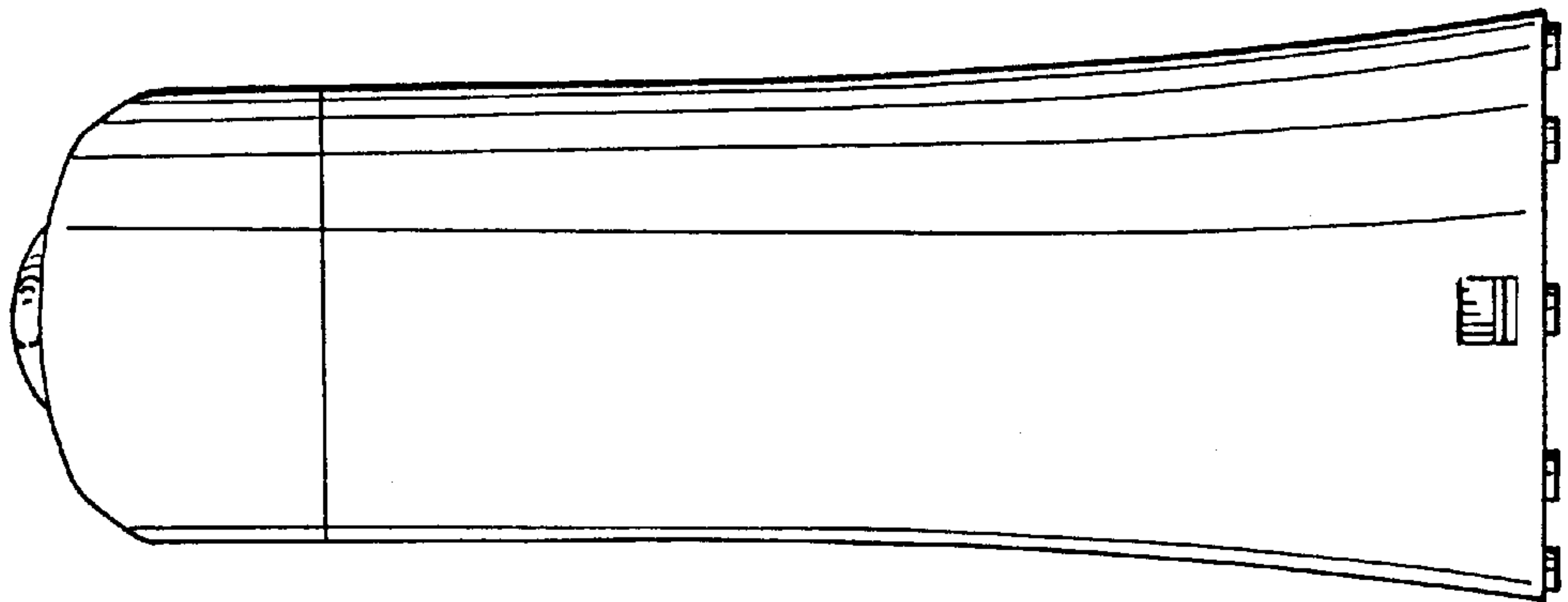


FIG. 2

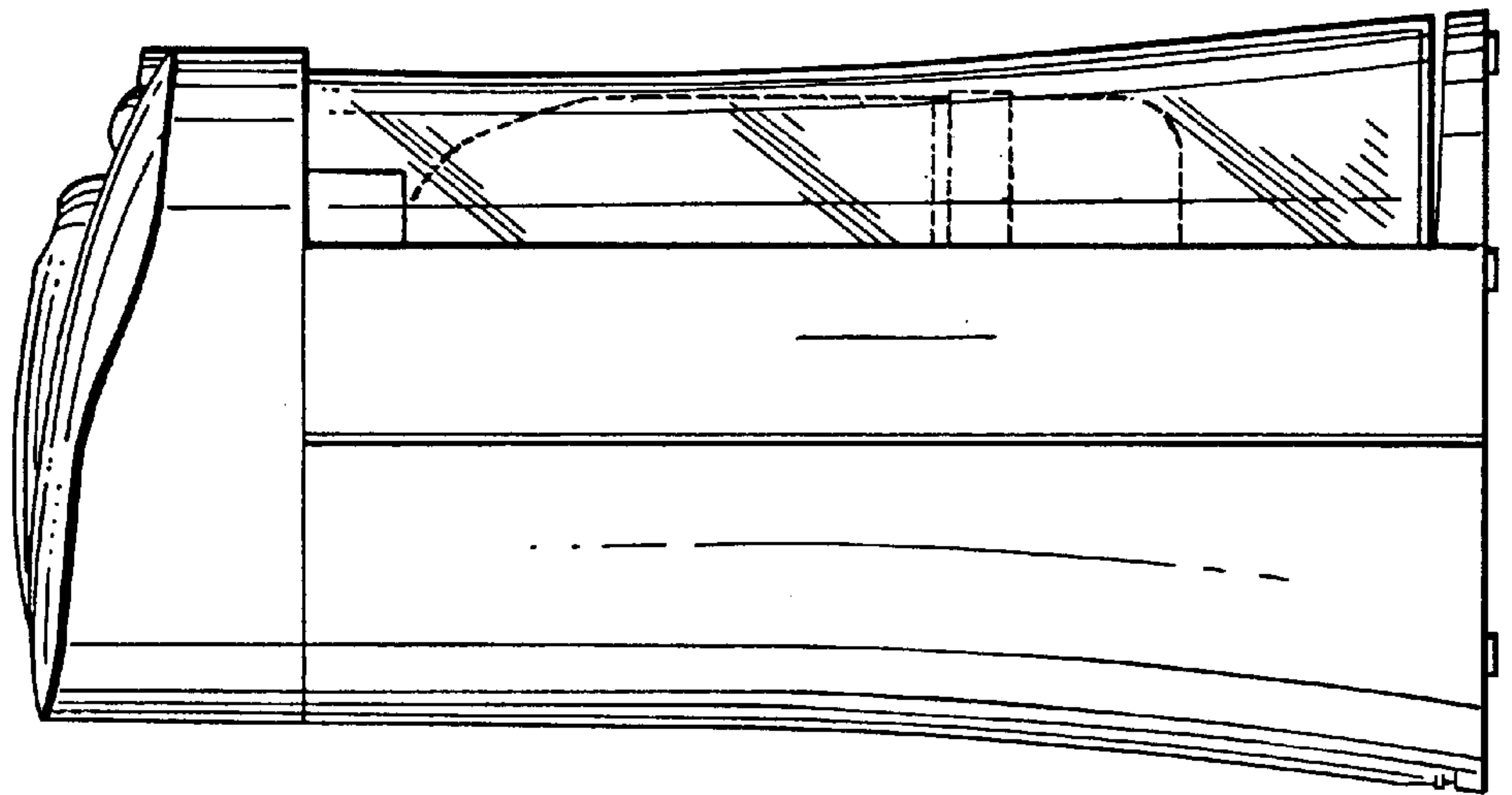


FIG. 3

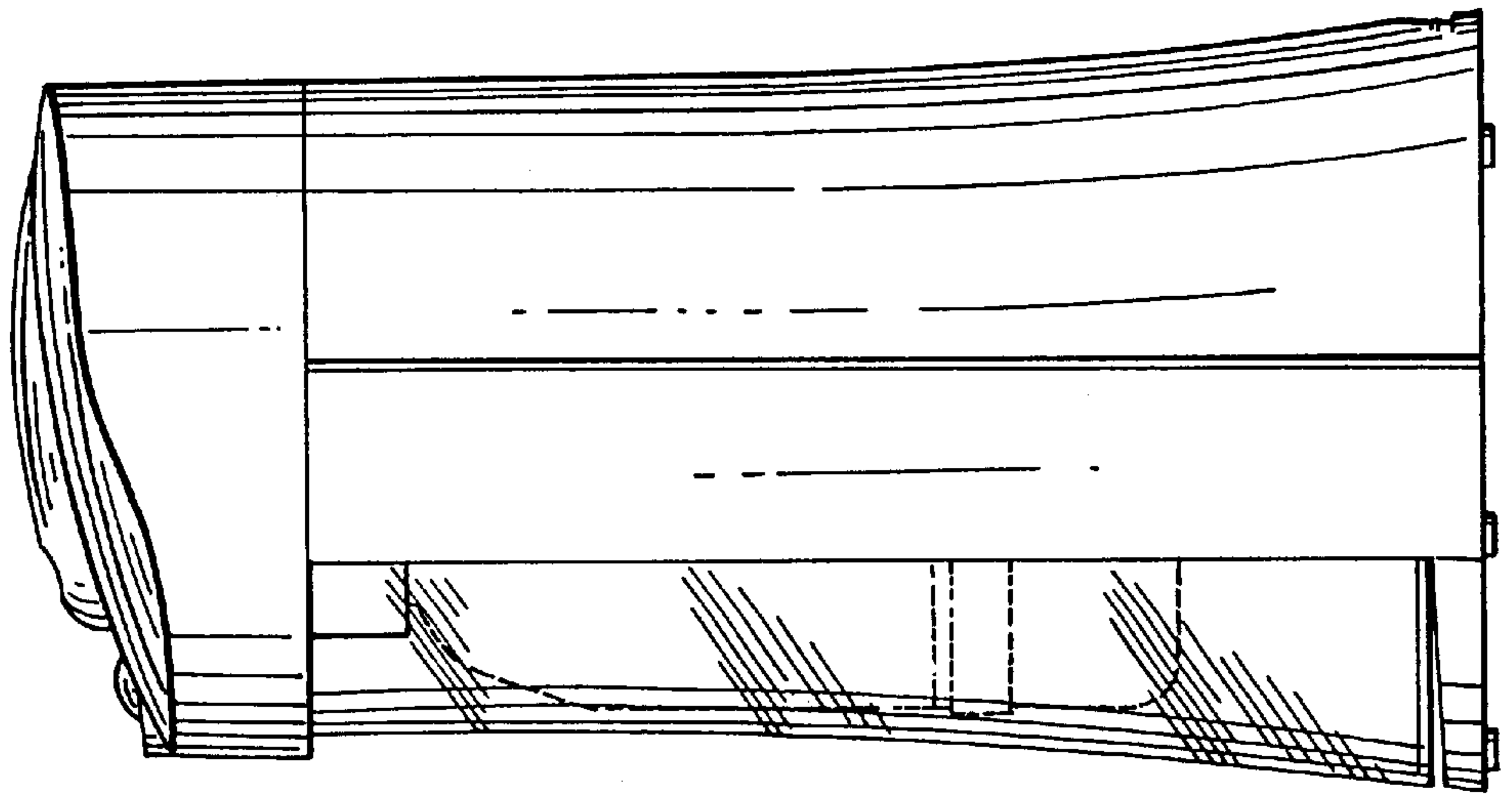


FIG. 4

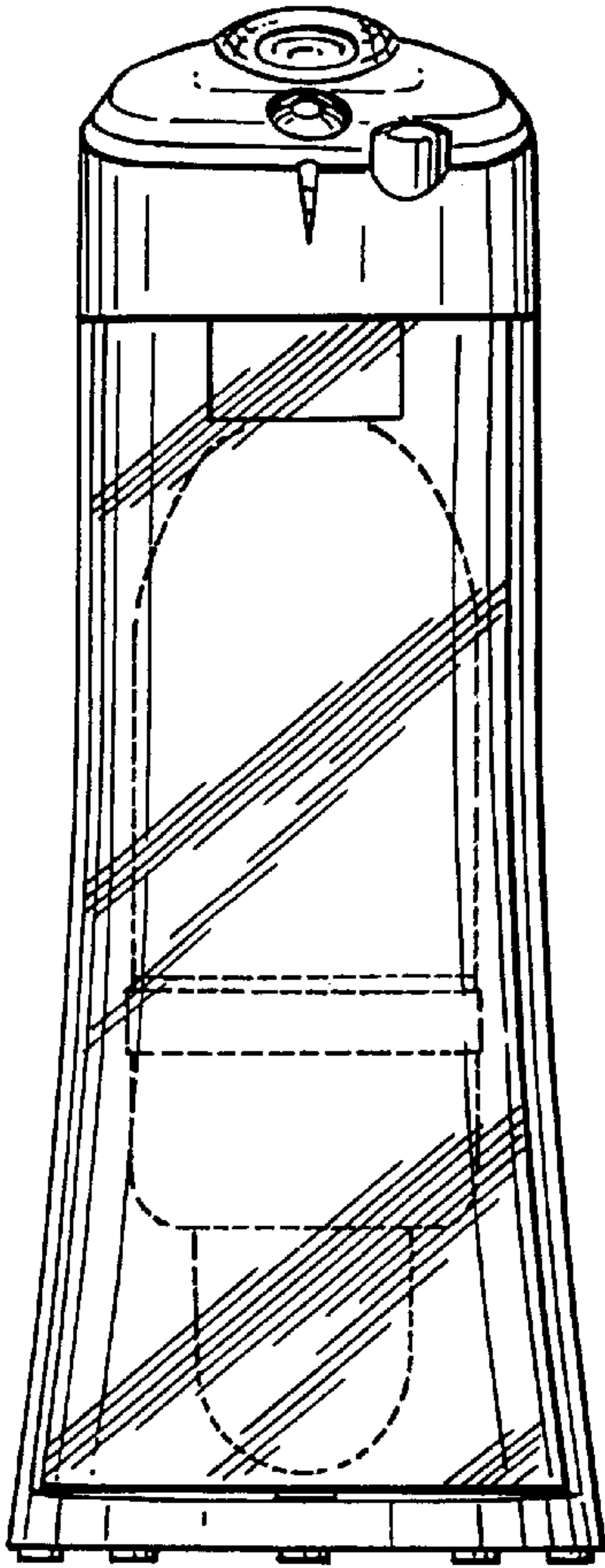


FIG. 5

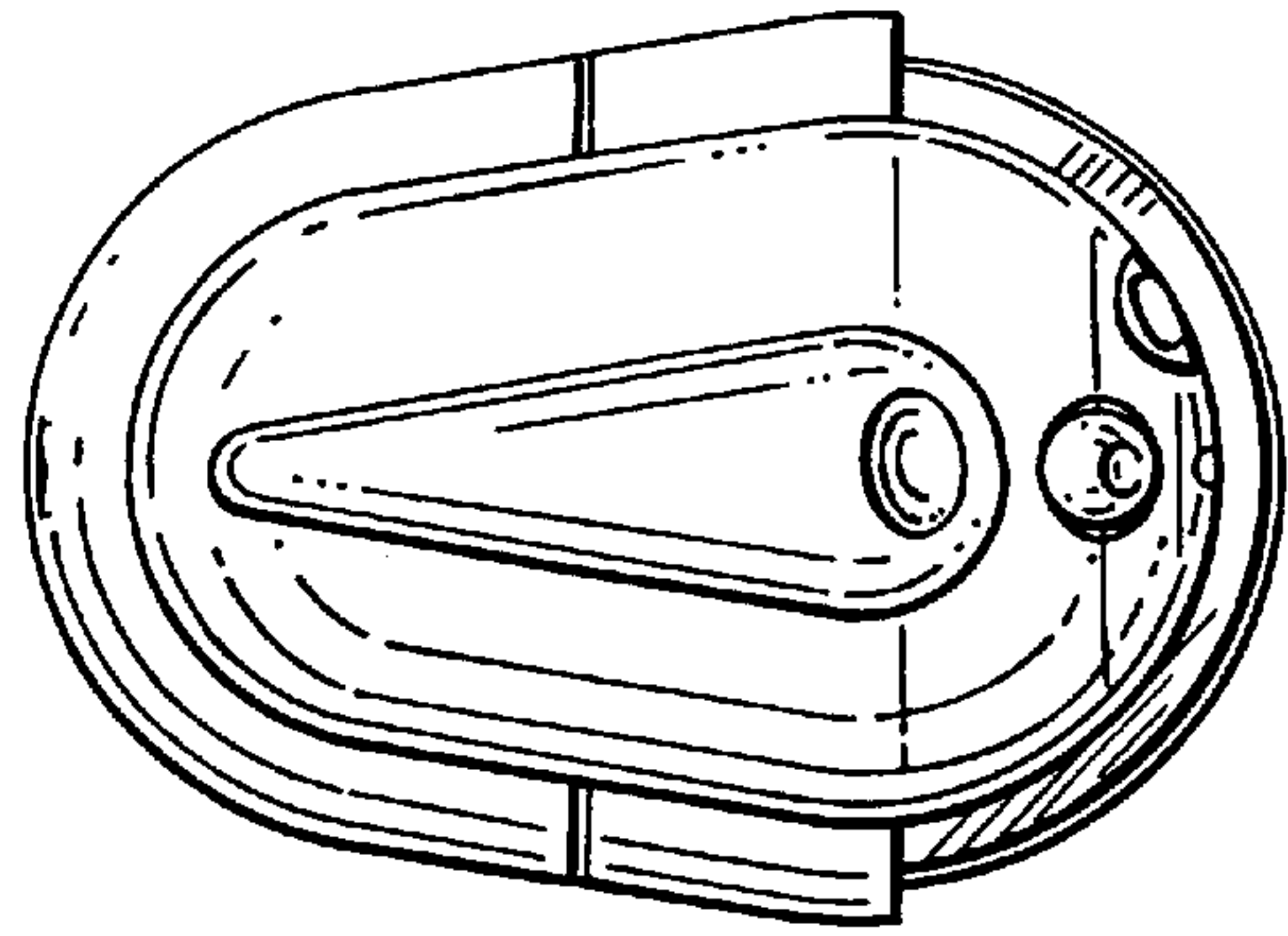


FIG. 7

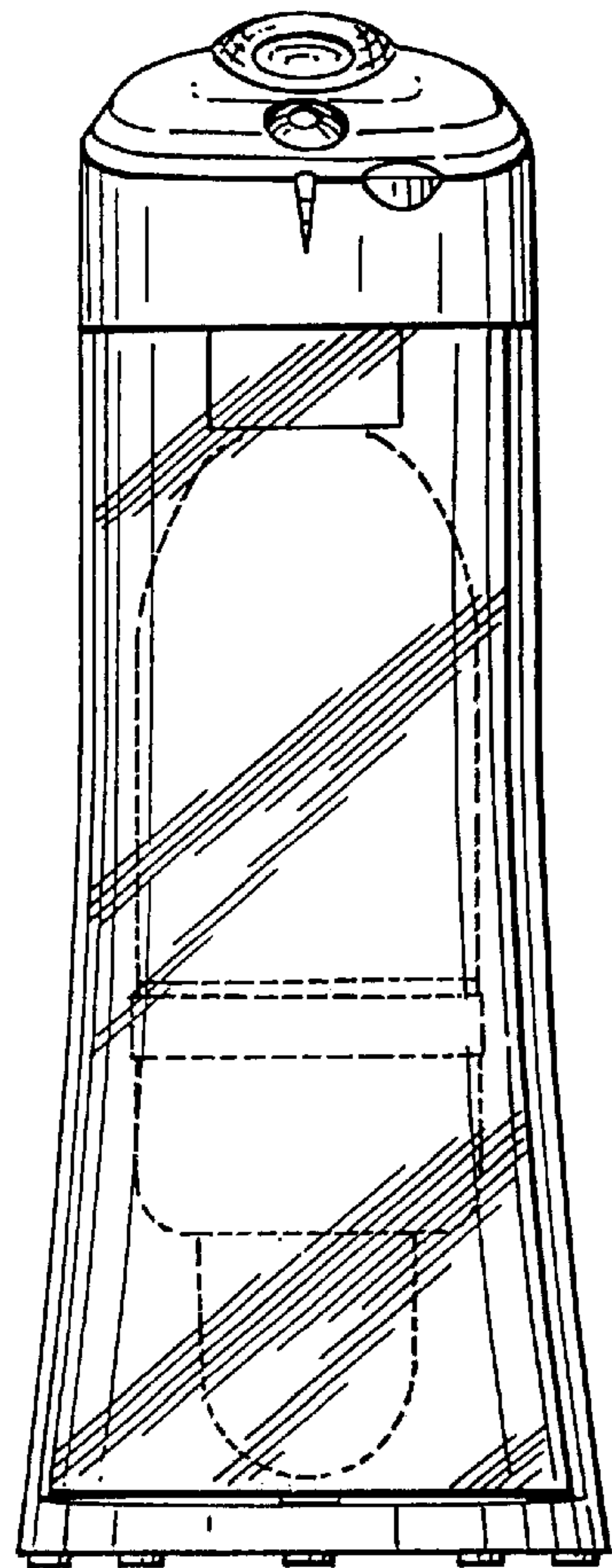


FIG. 6

