



US00D442009S

(12) **United States Design Patent**
Schwarzli

(10) **Patent No.:** **US D442,009 S**

(45) **Date of Patent:** **** May 15, 2001**

(54) **DISPENSER**

(76) Inventor: **Josef W. Schwarzli**, 3927 Vandorf
Road R.R. #4, Stouffville, Ontario
(CA), L4A 7X5

(**) Term: **14 Years**

(21) Appl. No.: **29/109,860**

(22) Filed: **Aug. 25, 1999**

(30) **Foreign Application Priority Data**

Feb. 25, 1999 (GB) 2081535

(51) **LOC (7) Cl.** **07-01**

(52) **U.S. Cl.** **D7/306; D7/313; D7/312;**
D7/300

(58) **Field of Search** D7/306, 307, 308,
D7/313, 322, 300, 312; D23/207; 222/127.1,
8.8, 146.6; 210/232, 466, 474

(56) **References Cited**

U.S. PATENT DOCUMENTS

D. 75,151 * 5/1928 Cordley D7/313

D. 161,592 * 1/1951 Persak, Jr. D7/313
D. 199,407 * 10/1964 Ernest D7/313
D. 199,408 * 10/1964 Felske D7/313
D. 208,082 * 7/1967 Falkenberg D7/313
D. 274,929 * 7/1984 Davis et al. D23/207
D. 366,095 * 1/1996 Farley D23/209
D. 380,641 * 7/1997 Randle D7/313
4,145,291 * 3/1979 Console 210/232

* cited by examiner

Primary Examiner—M. N. Pandozzi

(74) *Attorney, Agent, or Firm*—Dorsey & Whitney LLP

(57) **CLAIM**

The ornamental design for a dispenser, as shown and described.

DESCRIPTION

FIG. 1 is a front elevational view of the dispenser showing my new design;

FIG. 2 is a rear elevational view thereof;

FIG. 3 is a side elevational view thereof;

FIG. 4 is a top plan view thereof; and,

FIG. 5 is a bottom plan view thereof;

1 Claim, 2 Drawing Sheets

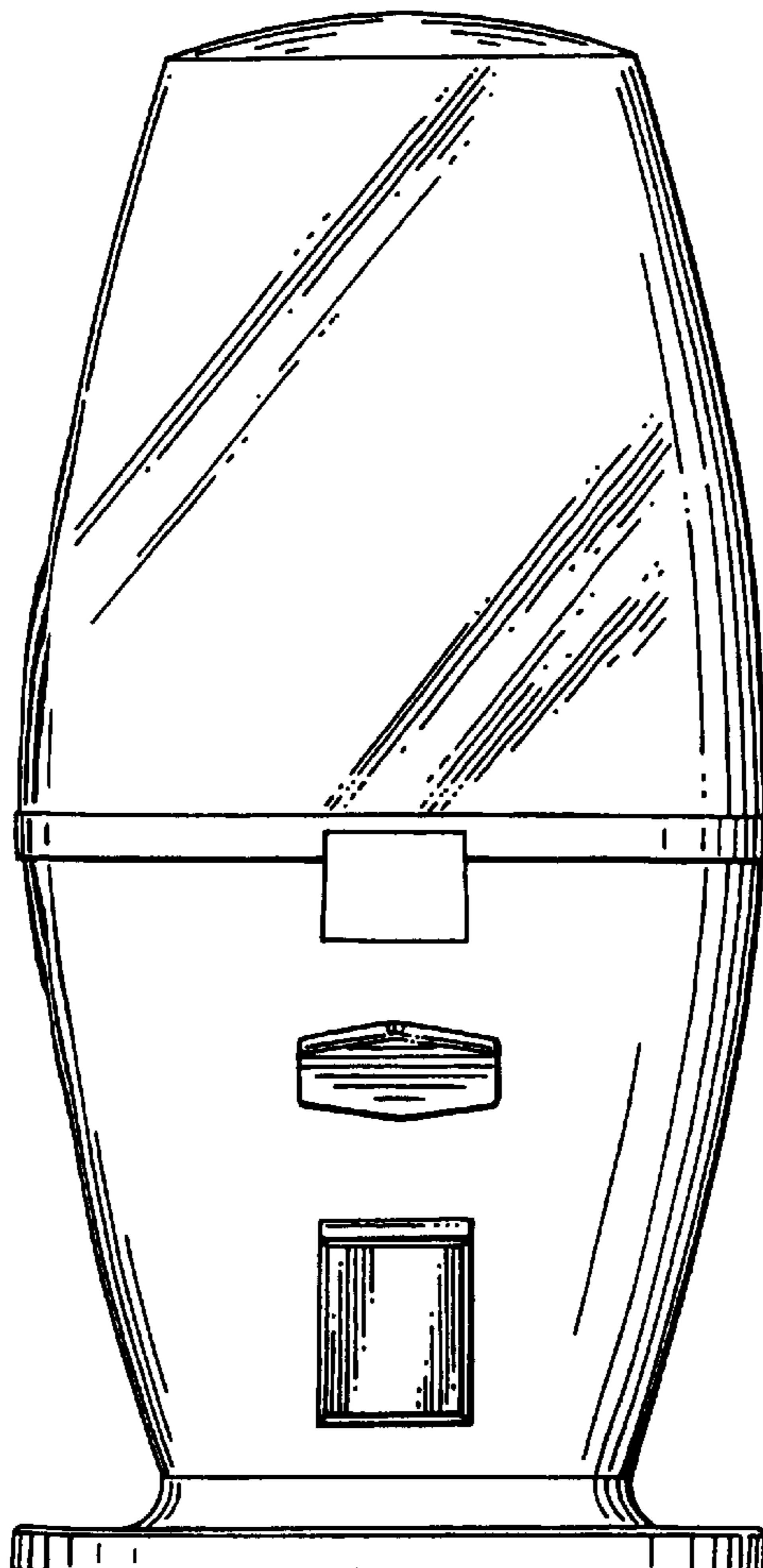


FIG. 2

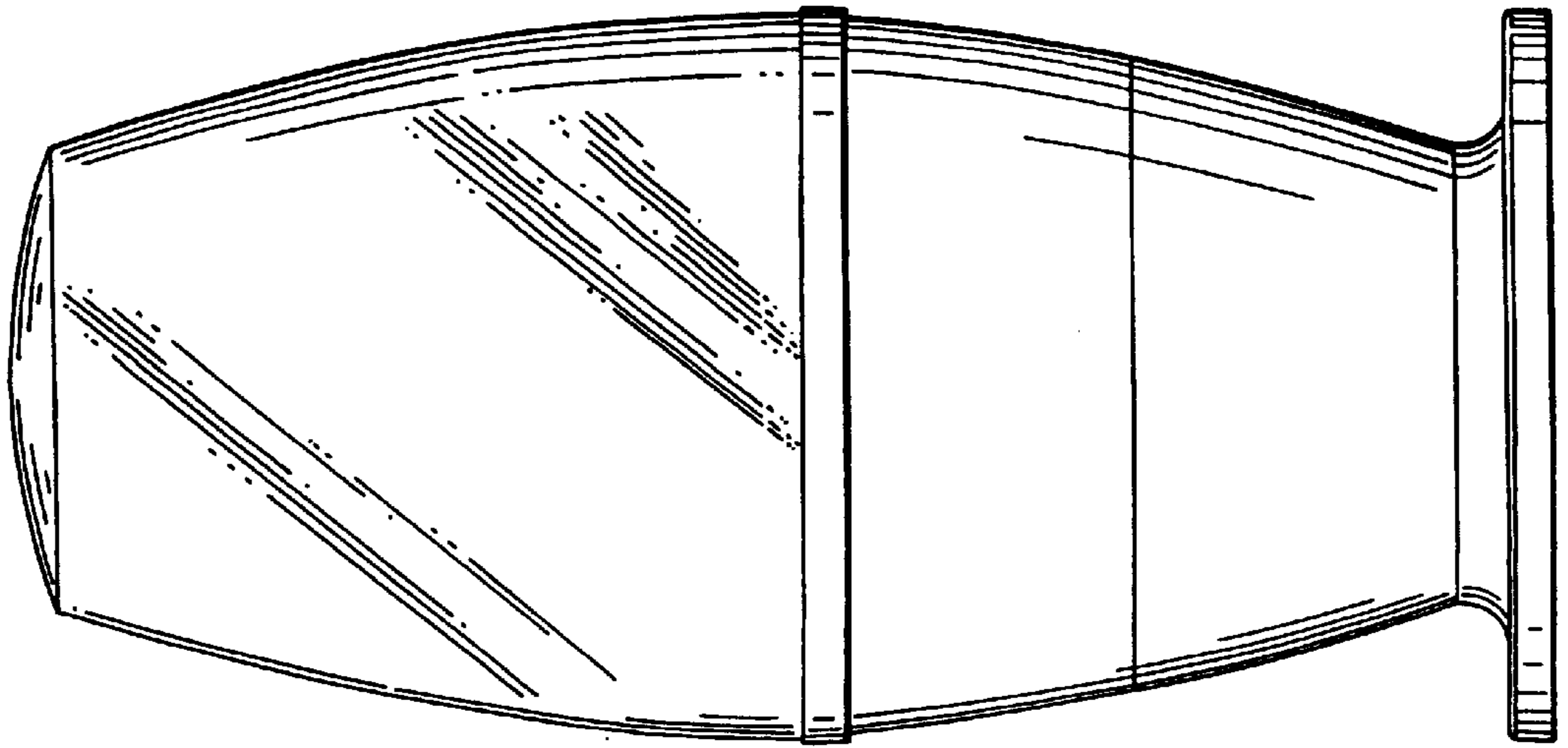


FIG. 1

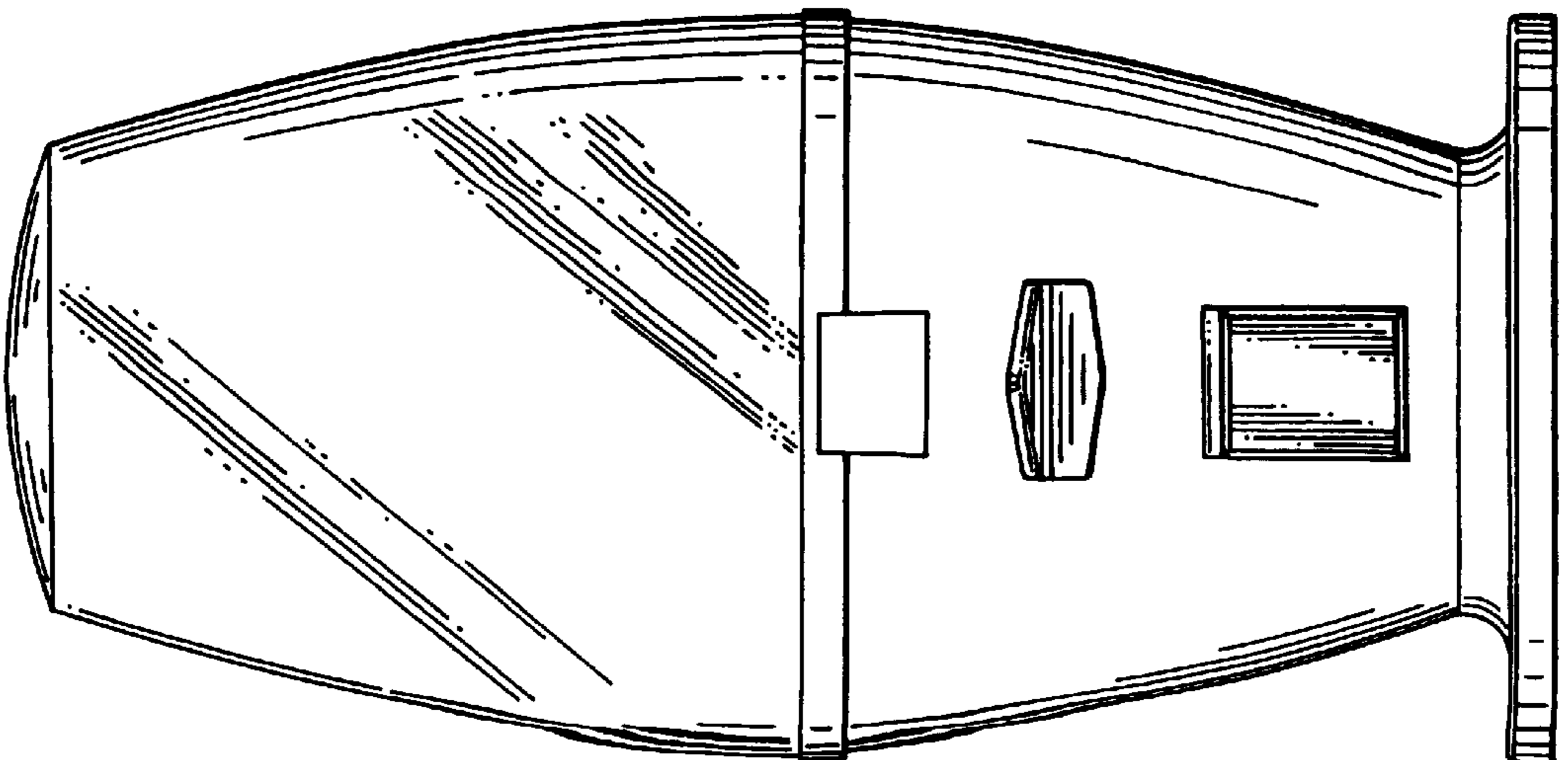


FIG. 3

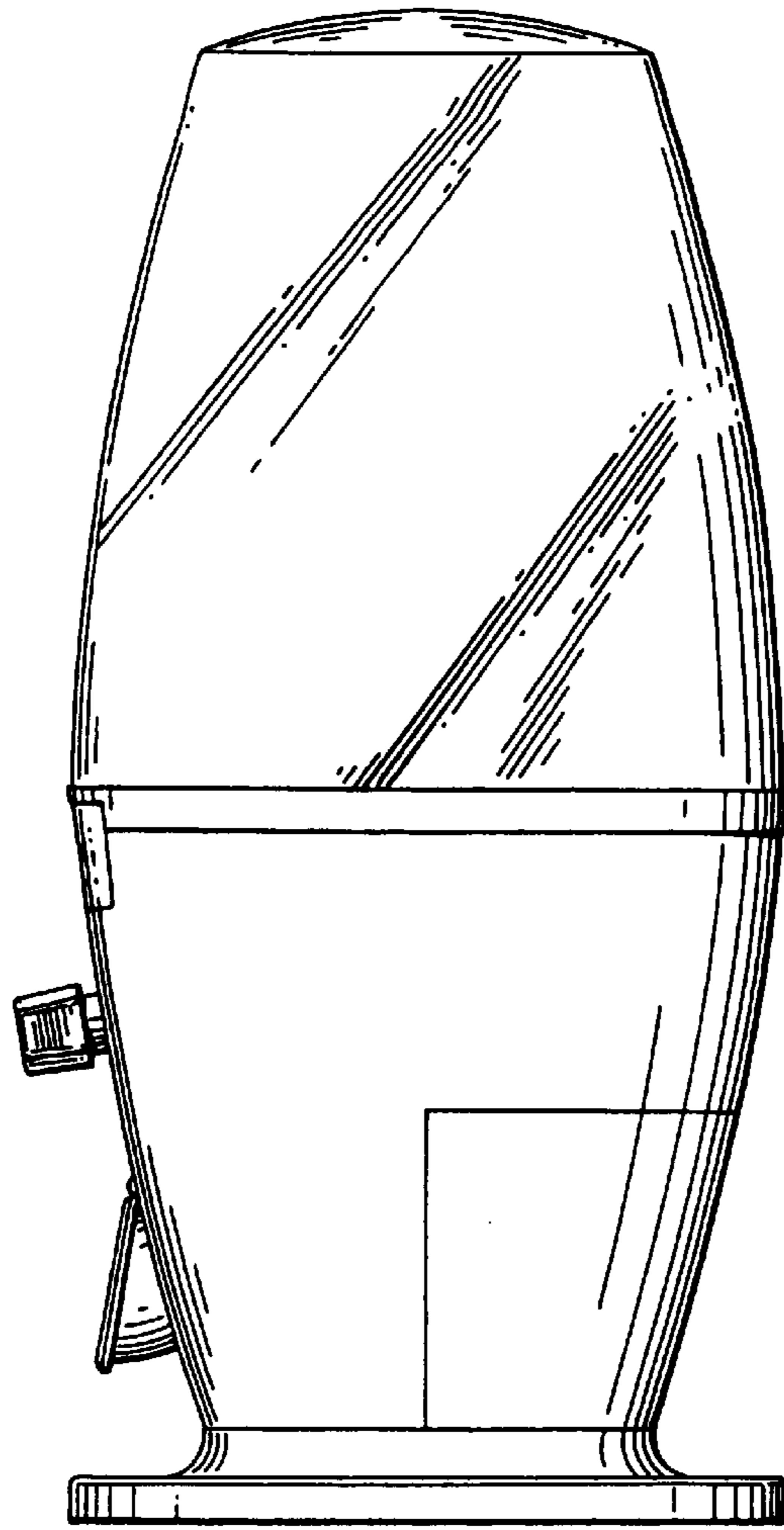


FIG. 4

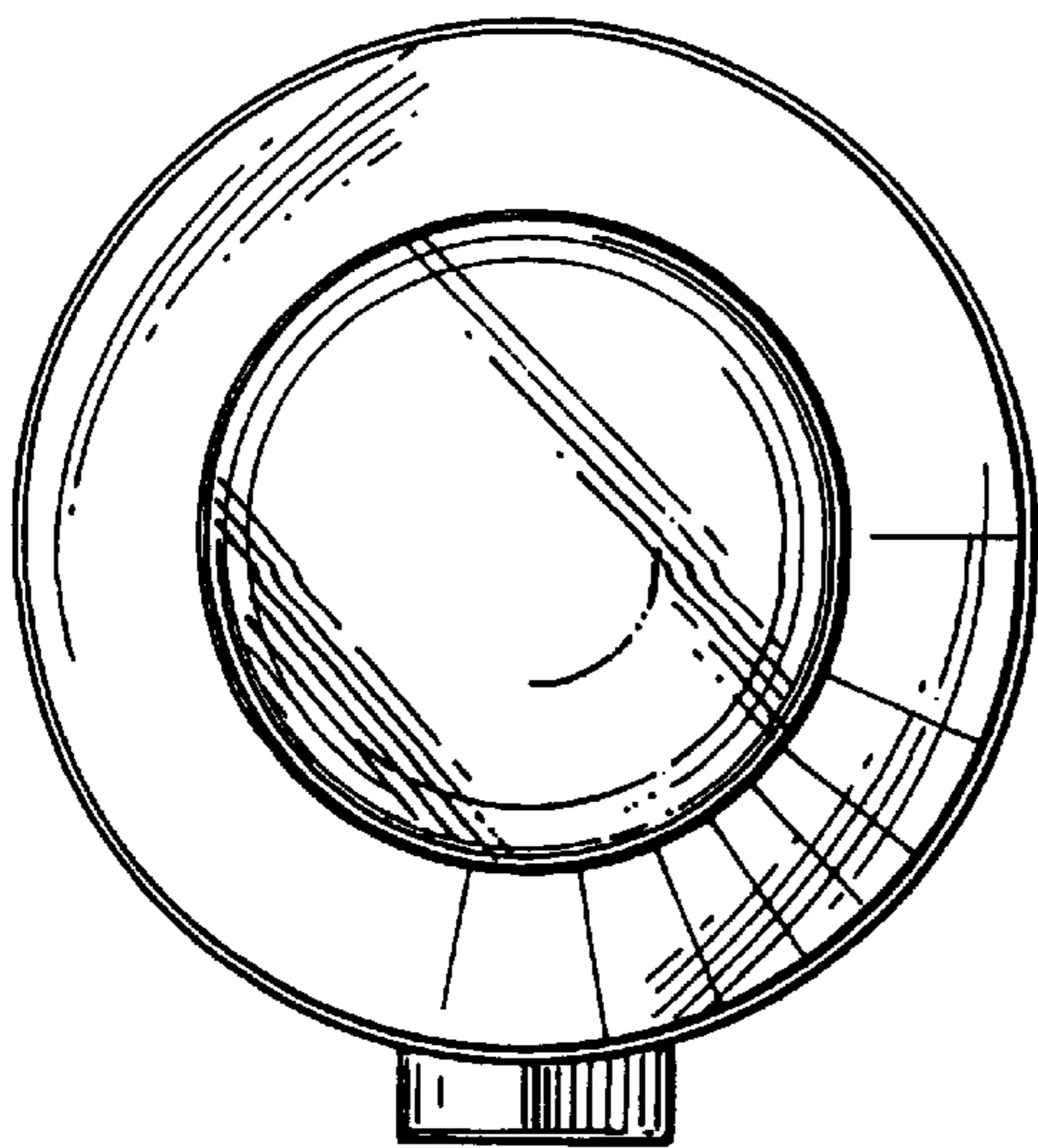


FIG. 5

