



US00D442007S

(12) **United States Design Patent**
Lin

(10) **Patent No.:** **US D442,007 S**

(45) **Date of Patent:** **** May 15, 2001**

(54) **COMPACT DISK SHELF**

(76) **Inventor:** **Tsong-Yow Lin**, 58, Ma Yuan West St.,
Taichung (TW)

(**) **Term:** **14 Years**

(21) **Appl. No.:** **29/130,411**

(22) **Filed:** **Sep. 28, 2000**

(51) **LOC (7) Cl.** **06-04**

(52) **U.S. Cl.** **D6/630; D6/468**

(58) **Field of Search** D6/407, 626-630,
D6/462-468, 450, 457, 473-476, 556-567,
570-572, 553; D32/55, 58; 211/40, 41.1,
41.2, 41.3, 41.4, 42, 41.12, 44, 41.18, 48,
181.1

(56) **References Cited**

U.S. PATENT DOCUMENTS

D. 89,626	*	4/1933	Carpenter	D6/462
D. 132,201	*	4/1942	Slough	D6/407
D. 142,498	*	10/1945	Salinger	D6/468
D. 180,366	*	5/1957	Hitchins	D6/462
D. 199,504	*	11/1964	Maiolatesi	D6/467
D. 317,095	*	5/1991	Albers et al.	D6/464
D. 353,400	*	12/1994	Goodman et al.	D19/90
D. 395,569	*	6/1998	Hamada	D6/629

D. 434,591	*	12/2000	Goodman et al.	D6/629
1,192,299	*	7/1916	Goebel	211/40 X
1,250,220	*	12/1917	Powers	211/40 X
1,487,942	*	3/1924	Hines	211/41.3
3,094,129	*	6/1963	Wills	131/238
3,290,238	*	12/1966	Wierwille	204/297.1
3,461,842	*	8/1969	Conrad et al.	211/41.1
5,054,626	*	10/1991	Stempinski	211/40
5,195,642	*	3/1993	Dardashti	211/40

* cited by examiner

Primary Examiner—Jeffrey Asch

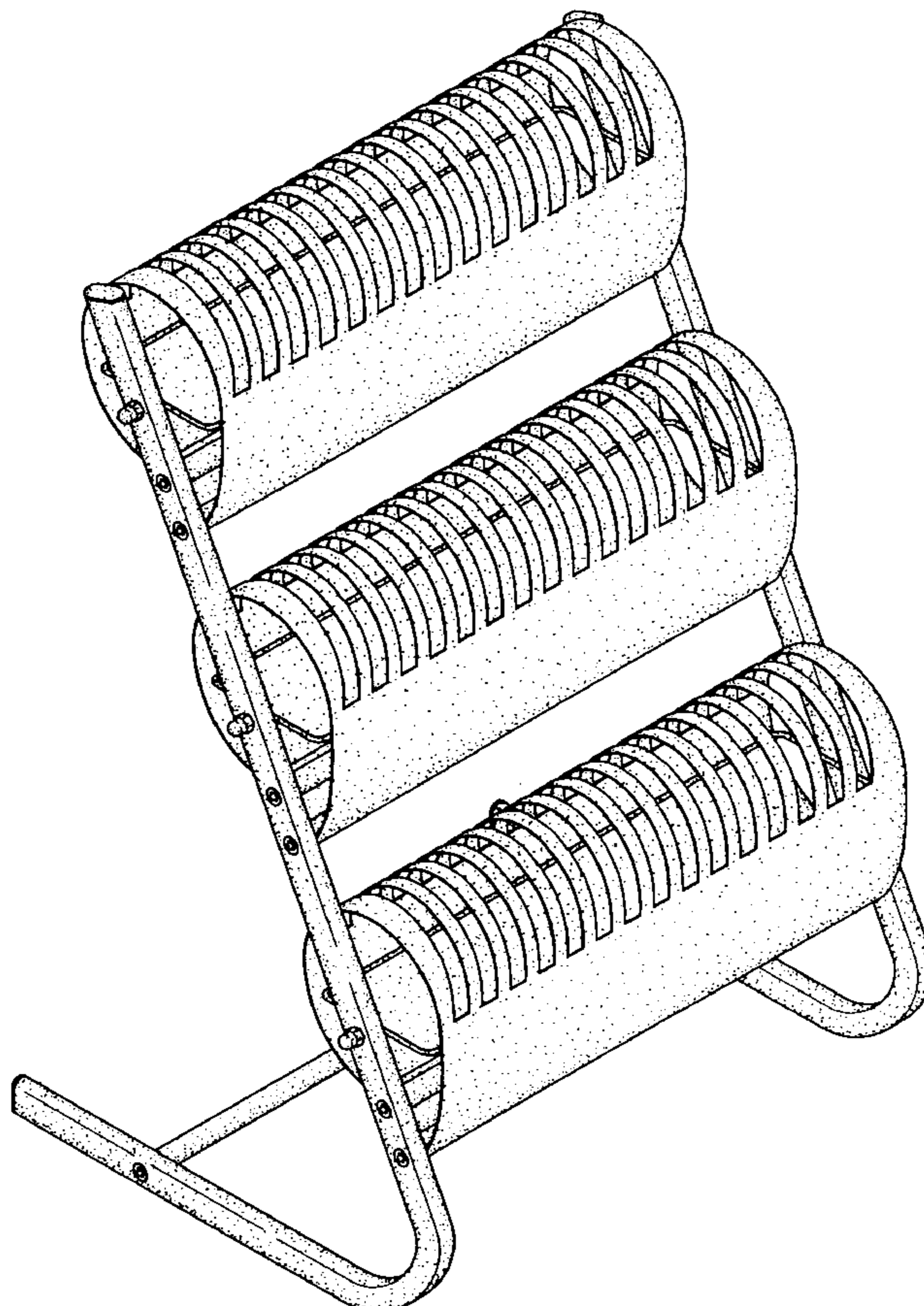
(57) **CLAIM**

The ornamental design for a compact disk shelf, as shown and described.

DESCRIPTION

FIG. 1 is a perspective view of a compact disk shelf showing my new design;
FIG. 2 is a front elevational view thereof;
FIG. 3 is a rear elevational view thereof;
FIG. 4 is a left side elevational view thereof.
FIG. 5 is a right side elevational view thereof;
FIG. 6 is a top plan view thereof; and,
FIG. 7 is a bottom plan view thereof.

1 Claim, 6 Drawing Sheets



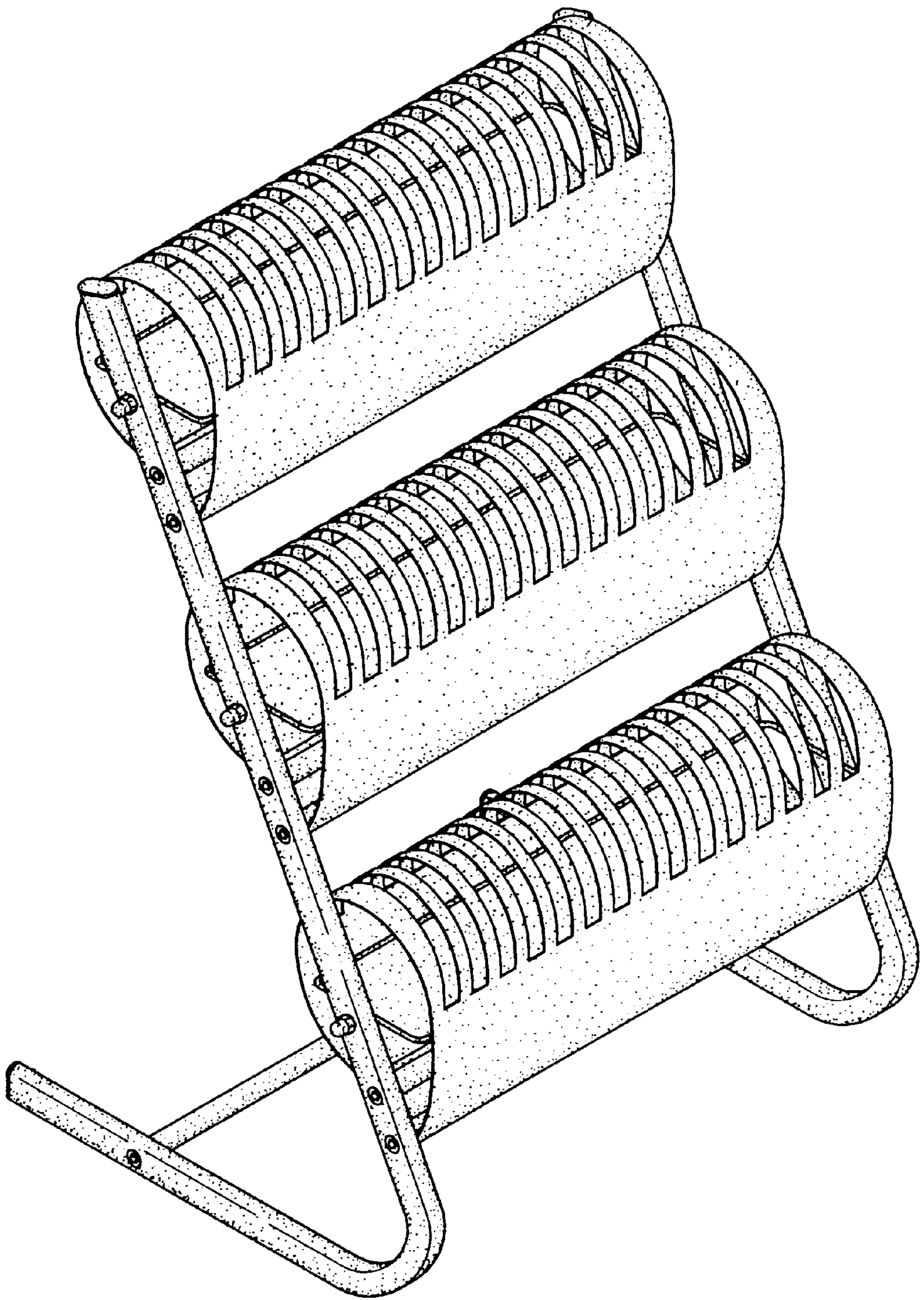
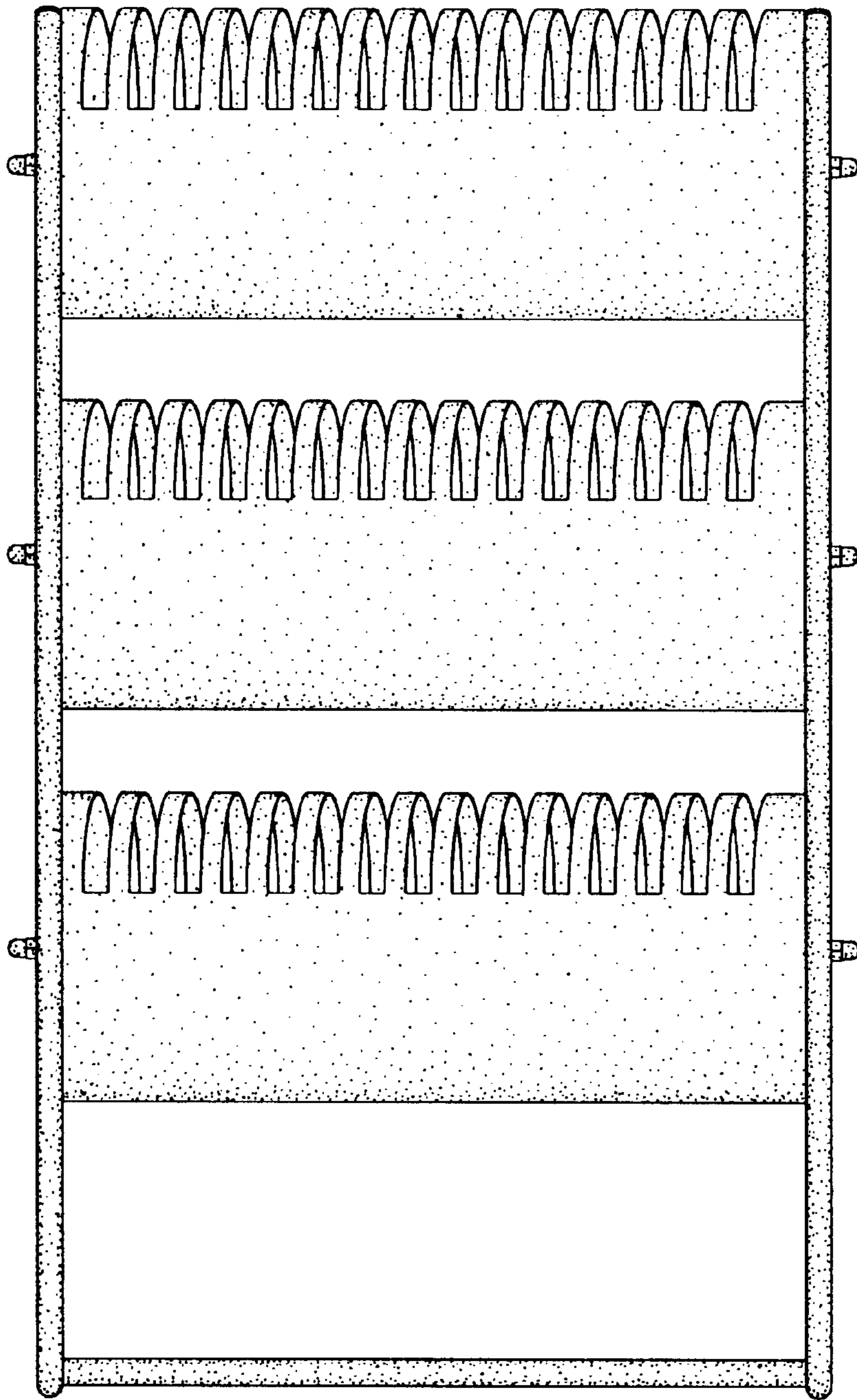


FIG. 1



F I G. 2

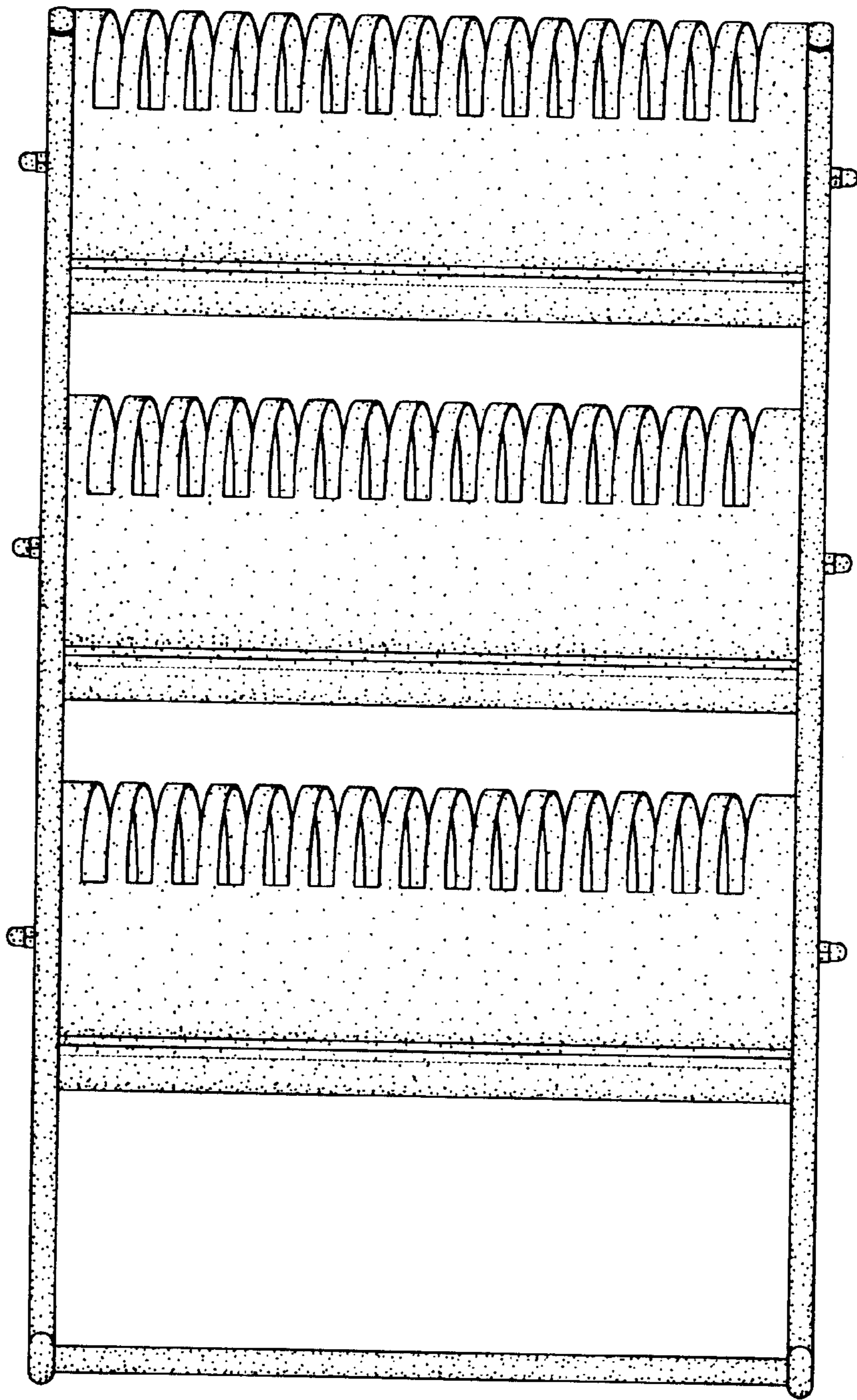


FIG. 3

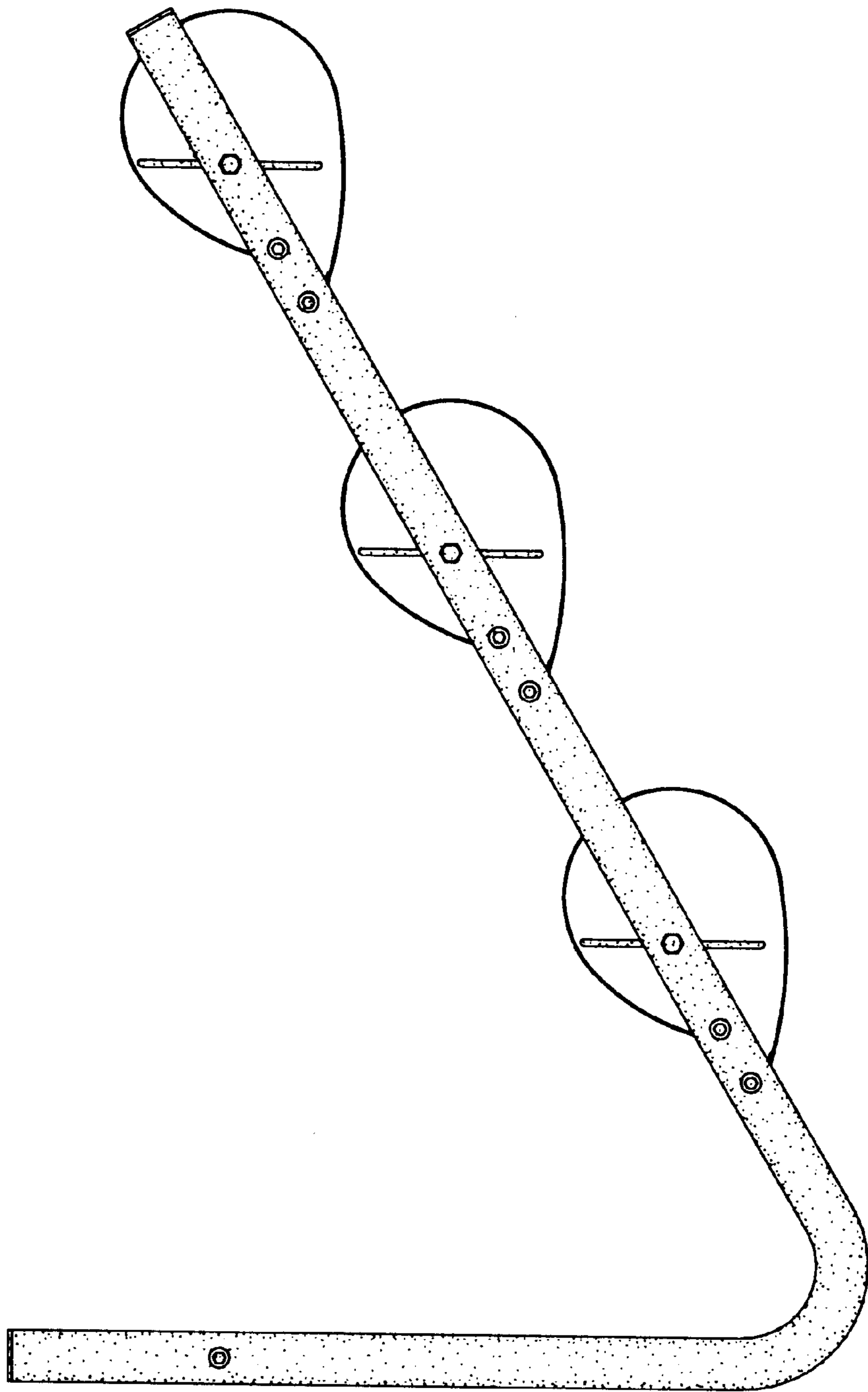


FIG. 4

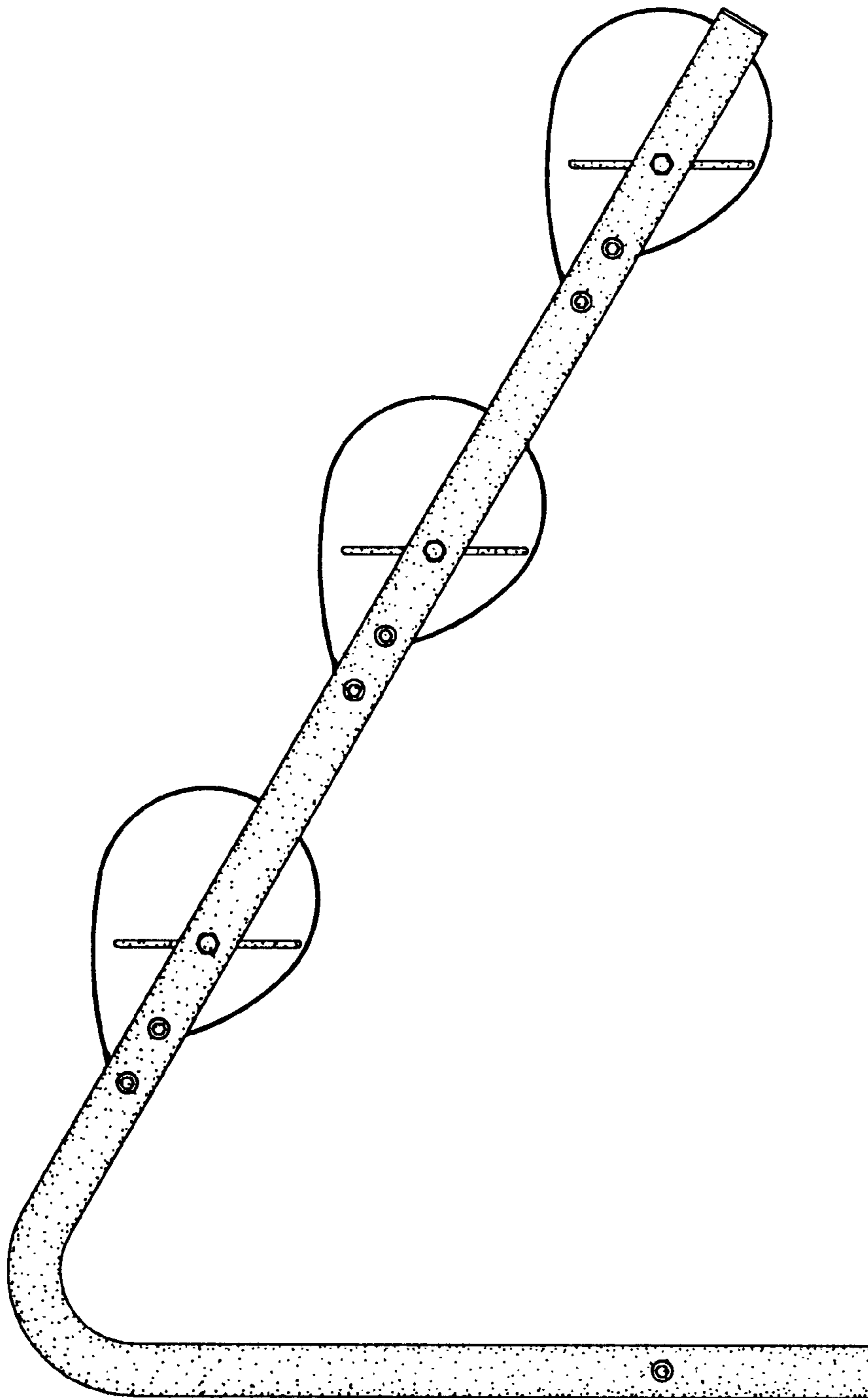
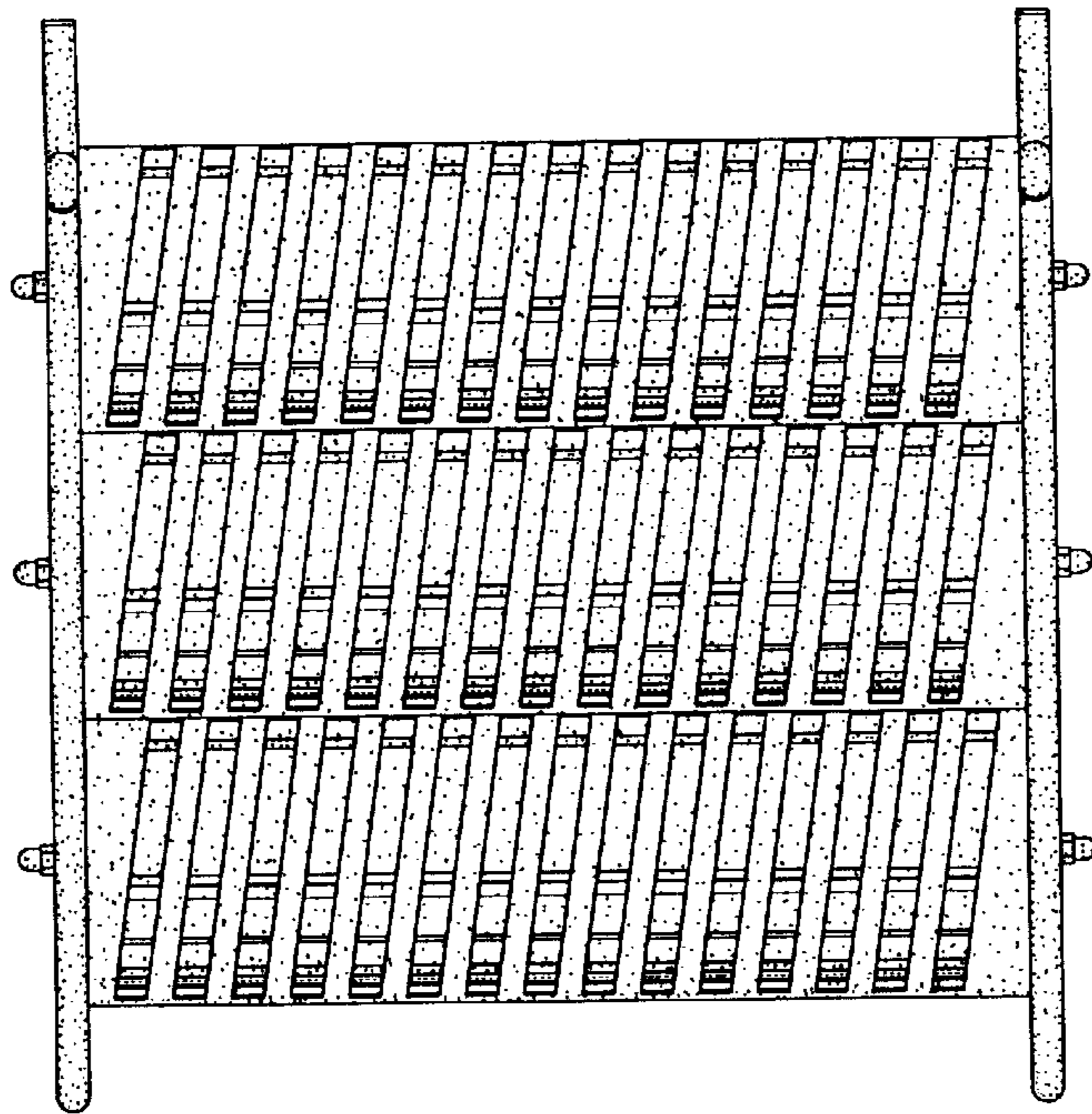
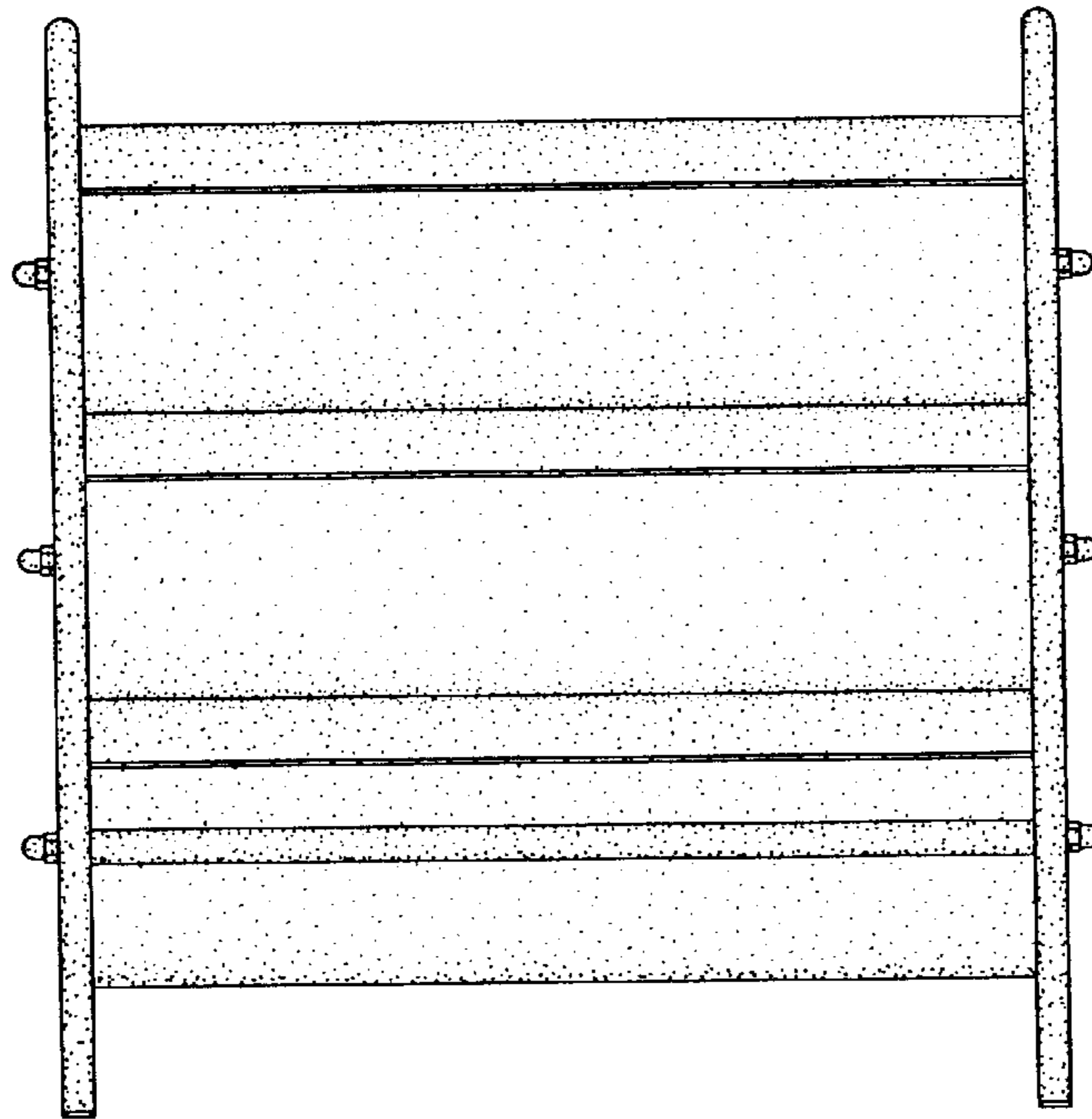


FIG. 5



F I G. 6



F I G. 7