



US00D442003S

(12) **United States Design Patent**
Minami

(10) **Patent No.:** **US D442,003 S**

(45) **Date of Patent:** **** May 15, 2001**

(54) **DRESSING MIRROR**

(75) Inventor: **Nobuyuki Minami**, Osaka (JP)

(73) Assignee: **Oohiro Works, Ltd.** (JP)

(**) Term: **14 Years**

(21) Appl. No.: **29/107,492**

(22) Filed: **Jul. 7, 1999**

(30) **Foreign Application Priority Data**

Jan. 11, 1999 (JP) 11-507

(51) **LOC (7) Cl.** **06-04**

(52) **U.S. Cl.** **D6/568**

(58) **Field of Search** D6/553, 567, 568,
D6/300, 310; 211/86, 87, 88, 90, 134; 312/245

(56) **References Cited**

U.S. PATENT DOCUMENTS

- D. 167,517 * 8/1952 Kopko D6/568
- D. 238,638 * 2/1976 Johnson D6/568
- D. 267,213 * 12/1982 Ness D6/568

OTHER PUBLICATIONS

“LA Coiffure De Paris,” vol. 1009, Societe d'Editions Modemes Parisienne, Dec. 31, 1996 & JP Design HB0900170700).

* cited by examiner

Primary Examiner—Brian N. Vinson

(74) *Attorney, Agent, or Firm*—Wall Marjama Bilinski & Burr

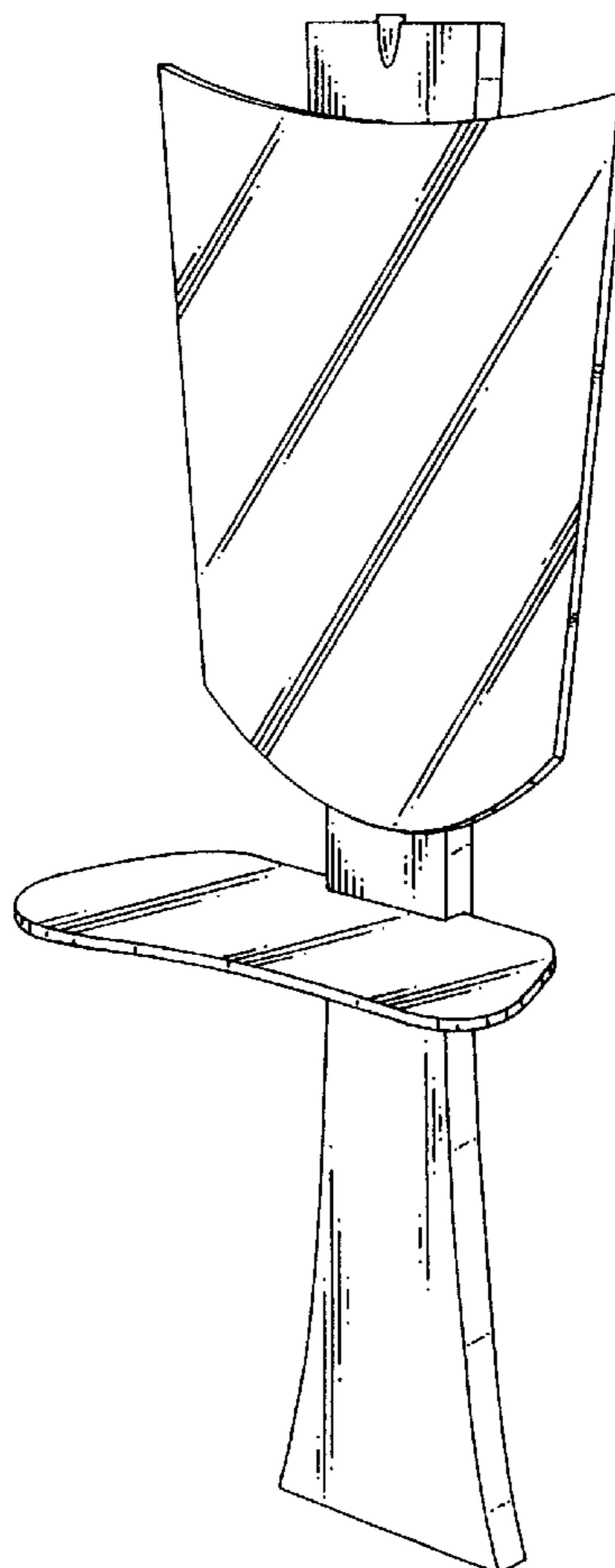
(57) **CLAIM**

The ornamental design for a dressing mirror, as shown and described.

DESCRIPTION

FIG. 1 is a front view of the dressing mirror in accordance with my new design;
FIG. 2 is a back view thereof;
FIG. 3 is a right side view thereof;
FIG. 4 is a left side view thereof;
FIG. 5 is an A—A line sectional view thereof;
FIG. 6 is a top view thereof;
FIG. 7 is a bottom view thereof; and,
FIG. 8 is a perspective view thereof.

1 Claim, 3 Drawing Sheets



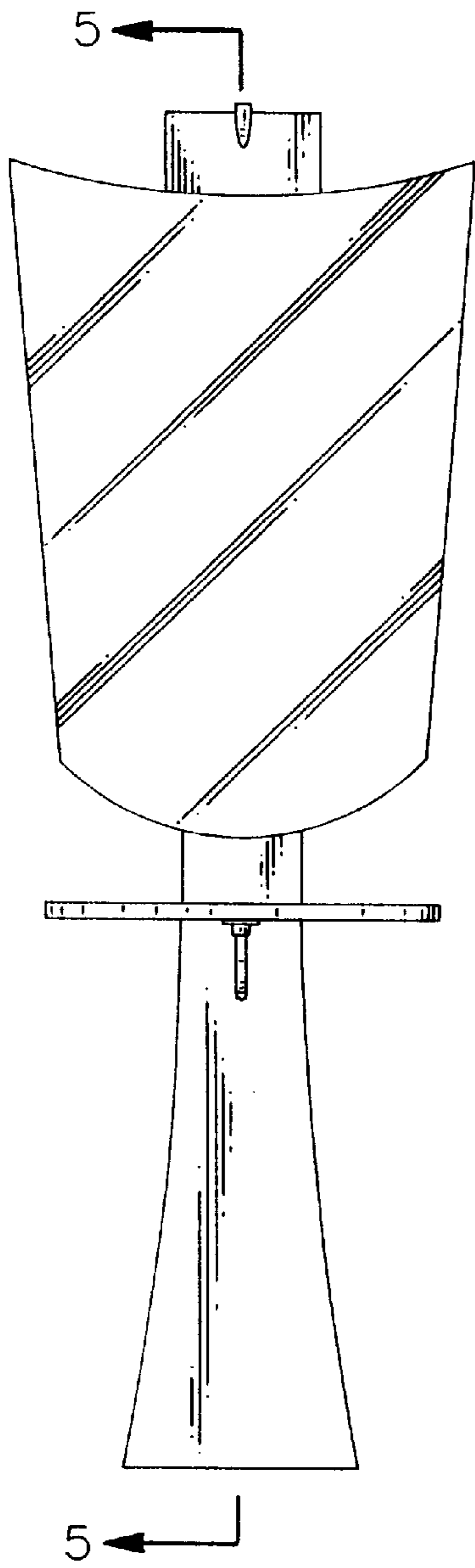


FIG. 1

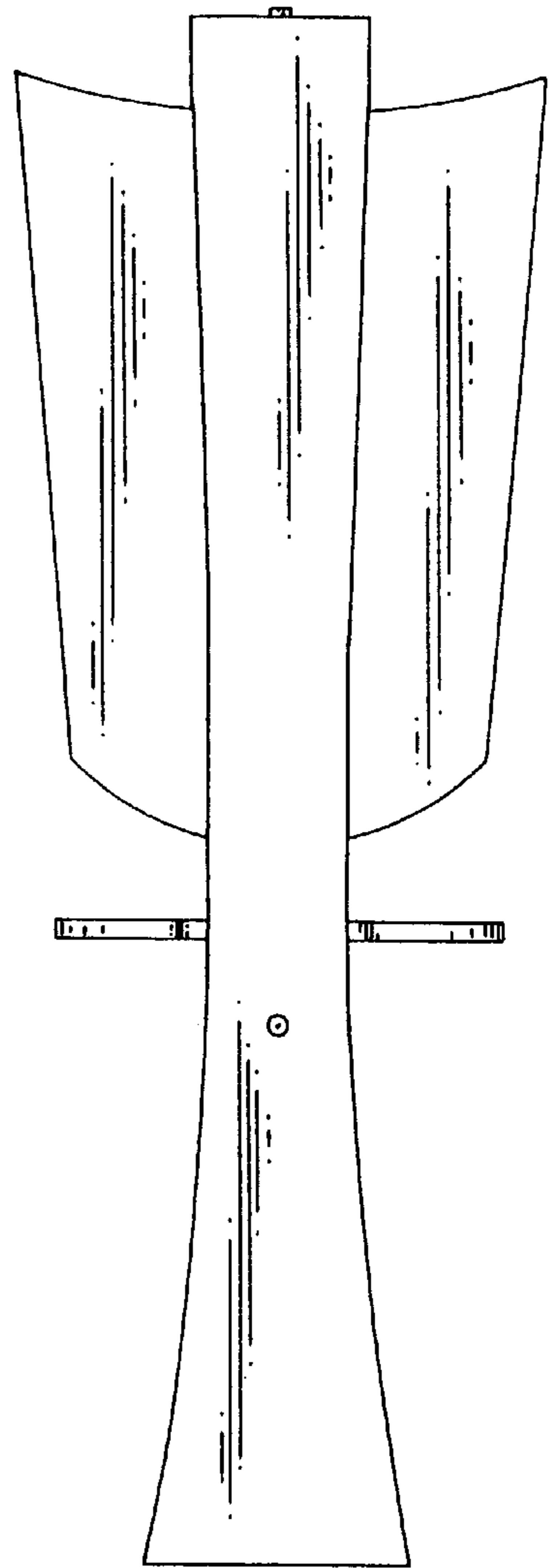


FIG. 2

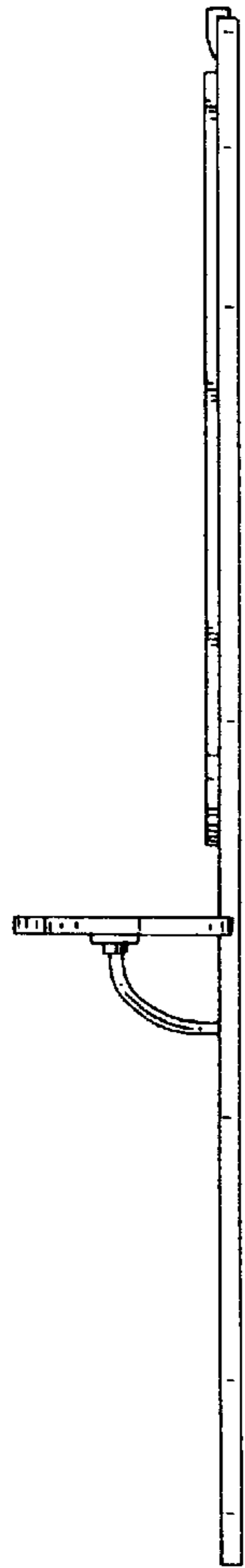


FIG. 3

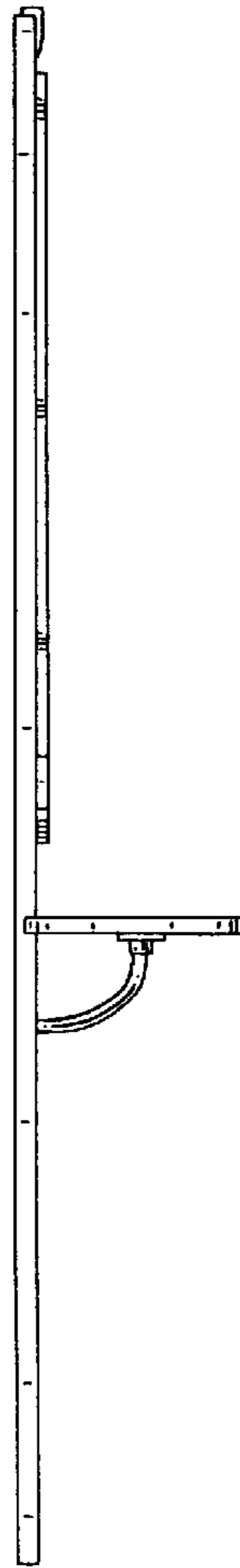


FIG. 4

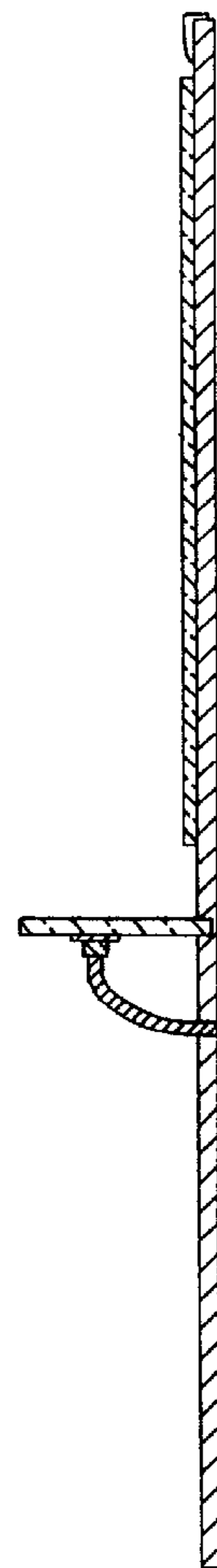


FIG. 5

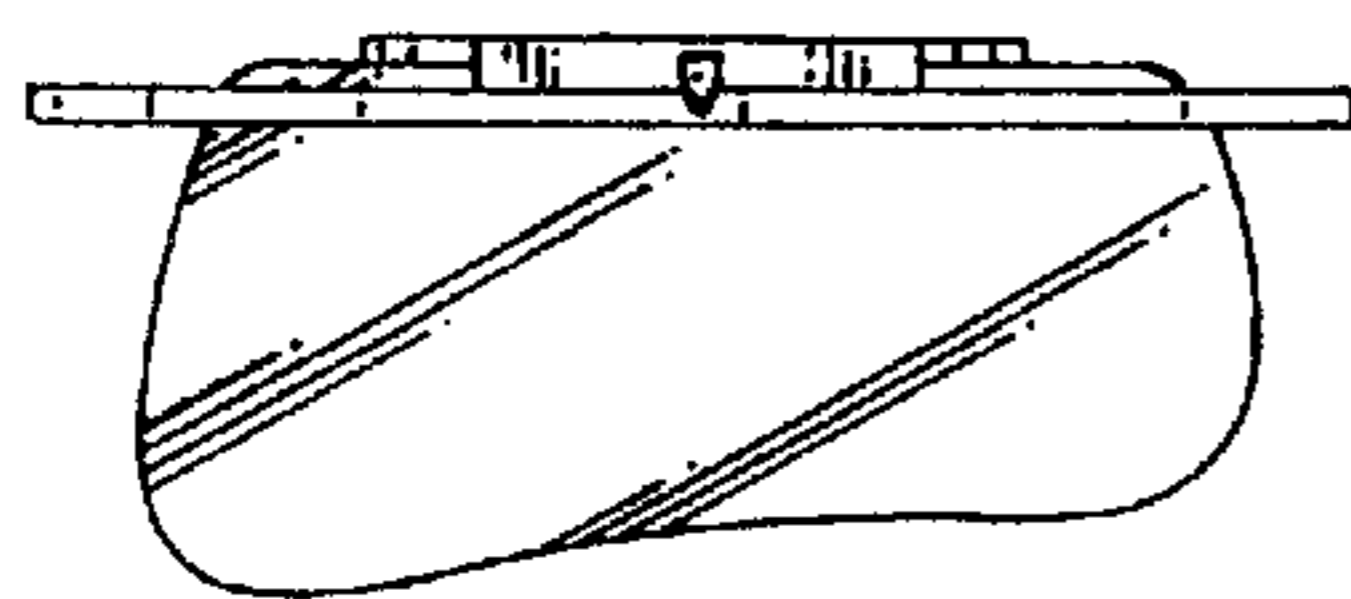


FIG. 6

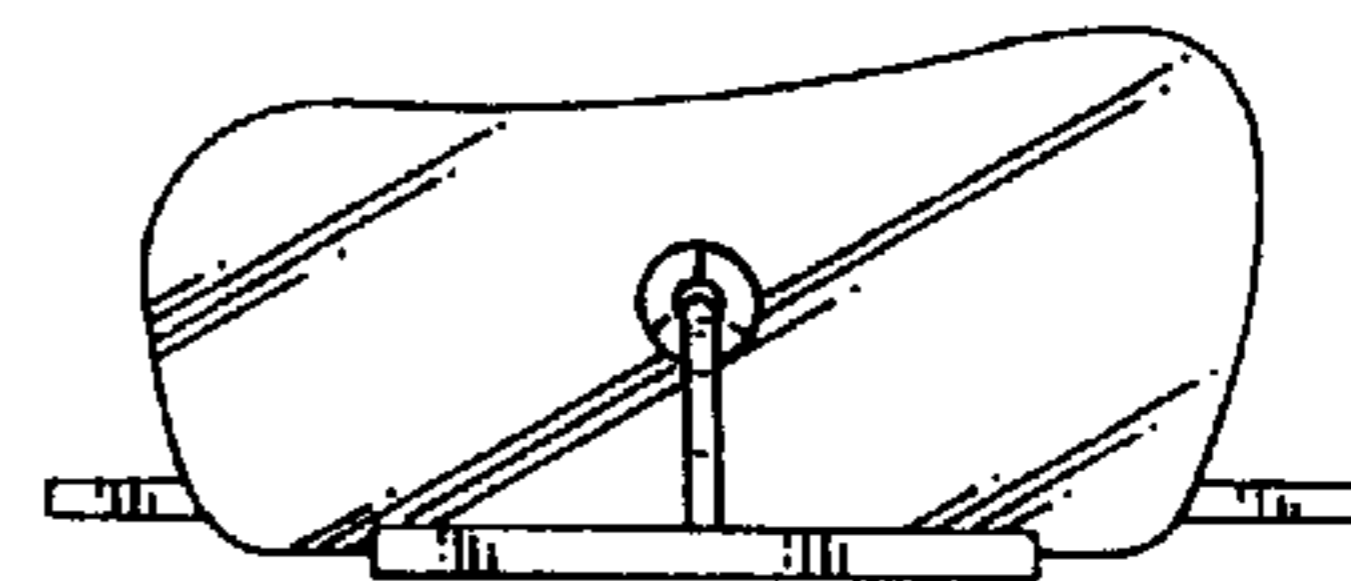


FIG. 7

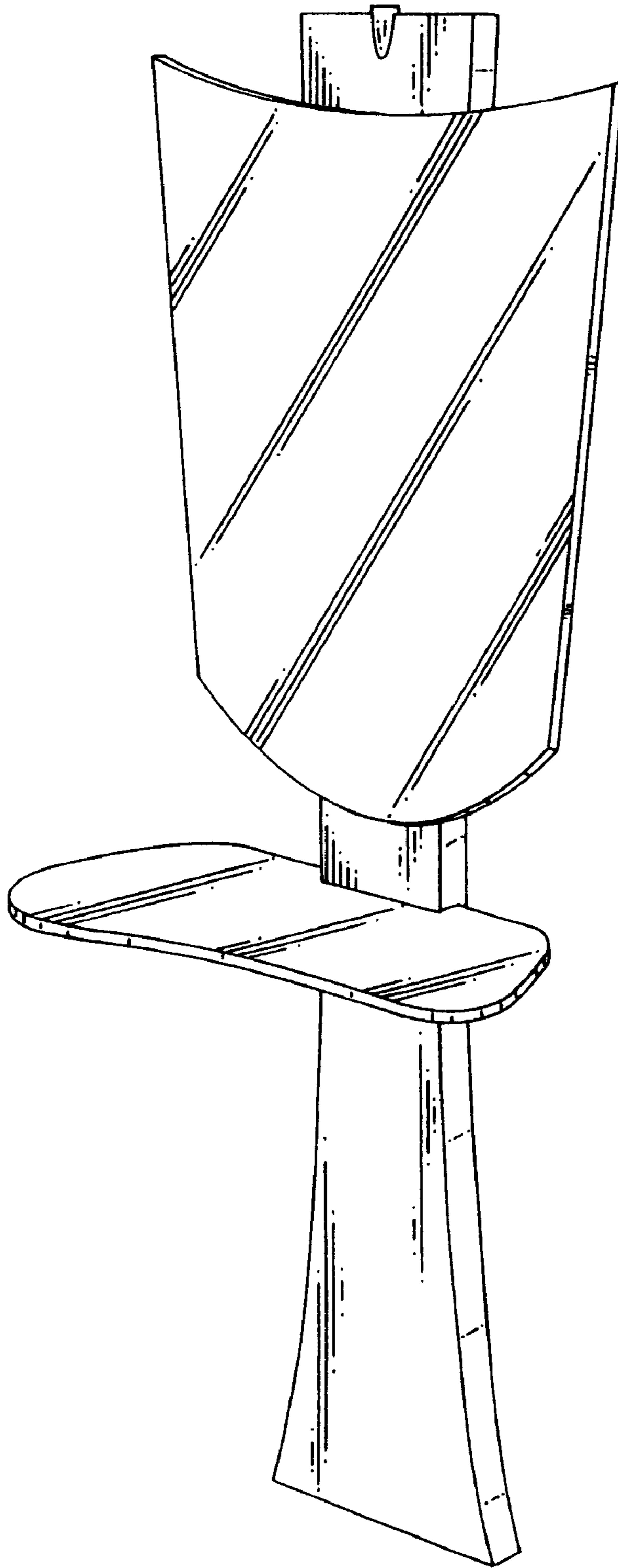


FIG. 8