



US00D441997S

(12) **United States Design Patent**
Lillelund et al.

(10) **Patent No.:** **US D441,997 S**

(45) **Date of Patent:** **** May 15, 2001**

(54) **SOAP DISH WITH RING HOLDER**

(75) Inventors: **Stig Lillelund**, Gentofte; **Jakob Heiberg**, Charloteenlund; **Hanne Dalsgaard Jeppesen**, Holte, all of (DK); **Robert H. C. M. Daenen**, Herne (BE)

(73) Assignee: **Dart Industries Inc.**, Orlando, FL (US)

(**) Term: **14 Years**

(21) Appl. No.: **29/122,147**

(22) Filed: **Apr. 19, 2000**

(51) **LOC (7) Cl.** **23-02**

(52) **U.S. Cl.** **D6/536**

(58) **Field of Search** D6/536-540, 532, D6/524; D27/102, 104; 248/309.1; 206/77.1; 211/13.1, 86.01, 88.01, 126.1, 126.5, 134

(56) **References Cited**

U.S. PATENT DOCUMENTS

- D. 163,084 * 5/1951 Biener D6/536
- D. 185,778 7/1959 Sharpe .
- D. 231,056 4/1974 Tegner .
- D. 256,861 9/1980 Ryan .
- D. 272,492 2/1984 Bennato .

- D. 272,875 * 3/1984 Johnston D6/536
- D. 286,396 * 10/1986 Luciano D6/536 X
- D. 291,638 * 9/1987 Chap D6/540
- D. 294,095 2/1988 Tegner .
- D. 386,026 11/1997 Buelow D6/540
- D. 388,643 1/1998 Buelow D6/540
- D. 416,415 11/1999 Ming-Hsiao D6/540
- 4,133,443 1/1979 Medina et al. .

* cited by examiner

Primary Examiner—Brian N. Vinson

(74) *Attorney, Agent, or Firm*—Taylor J. Ross

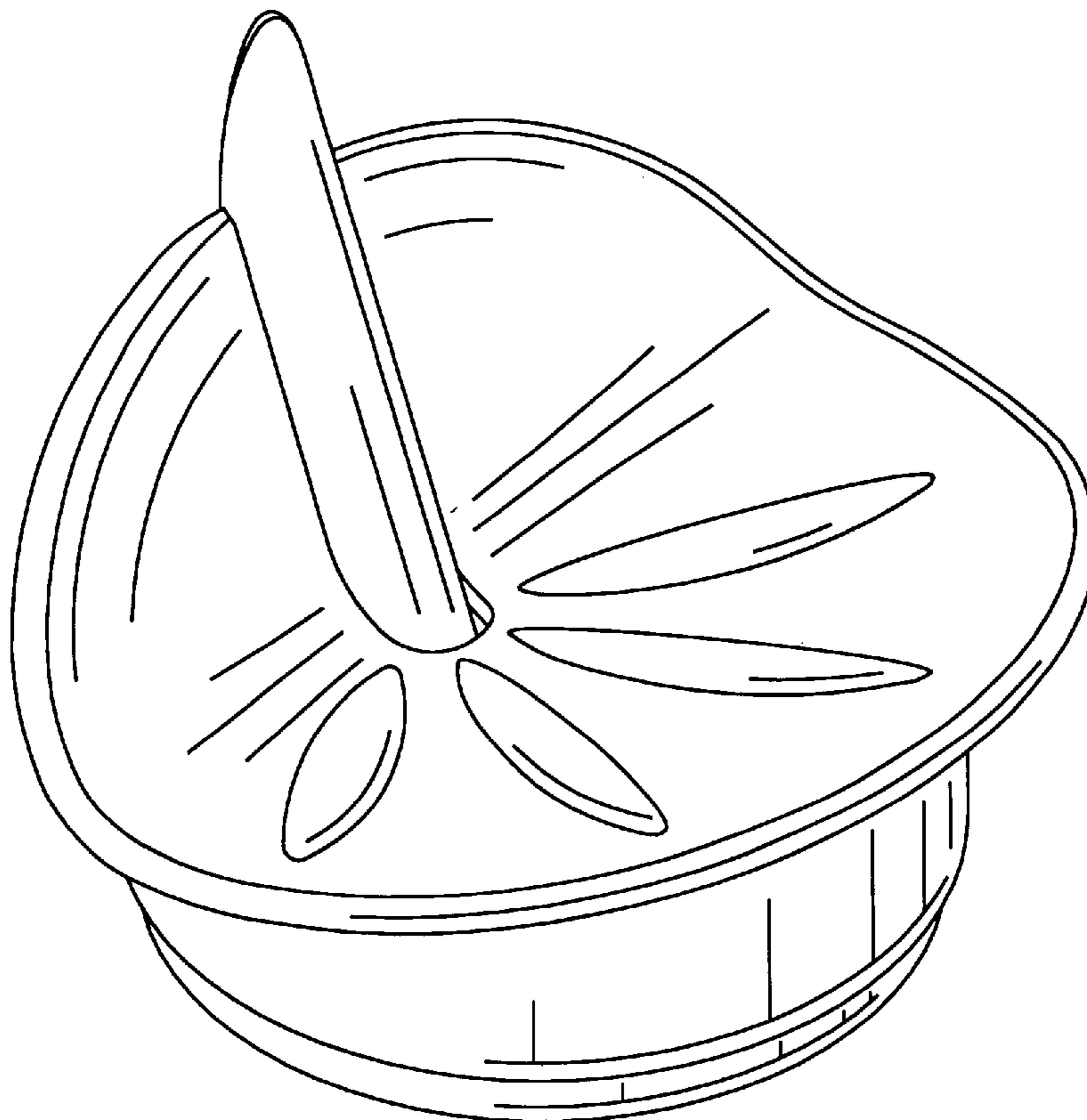
(57) **CLAIM**

The ornamental design for a soap dish with ring holder, as shown and described.

DESCRIPTION

FIG. 1 is a top, side and front perspective view of a soap dish with ring holder showing the new design;
 FIG. 2 is a bottom, side and front perspective view thereof;
 FIG. 3 is a front elevation view thereof;
 FIG. 4 is a rear elevation view thereof;
 FIG. 5 is a right side elevation view thereof;
 FIG. 6 is a left side elevation view thereof;
 FIG. 7 is a top plan view thereof; and,
 FIG. 8 is a bottom plan view thereof.

1 Claim, 4 Drawing Sheets



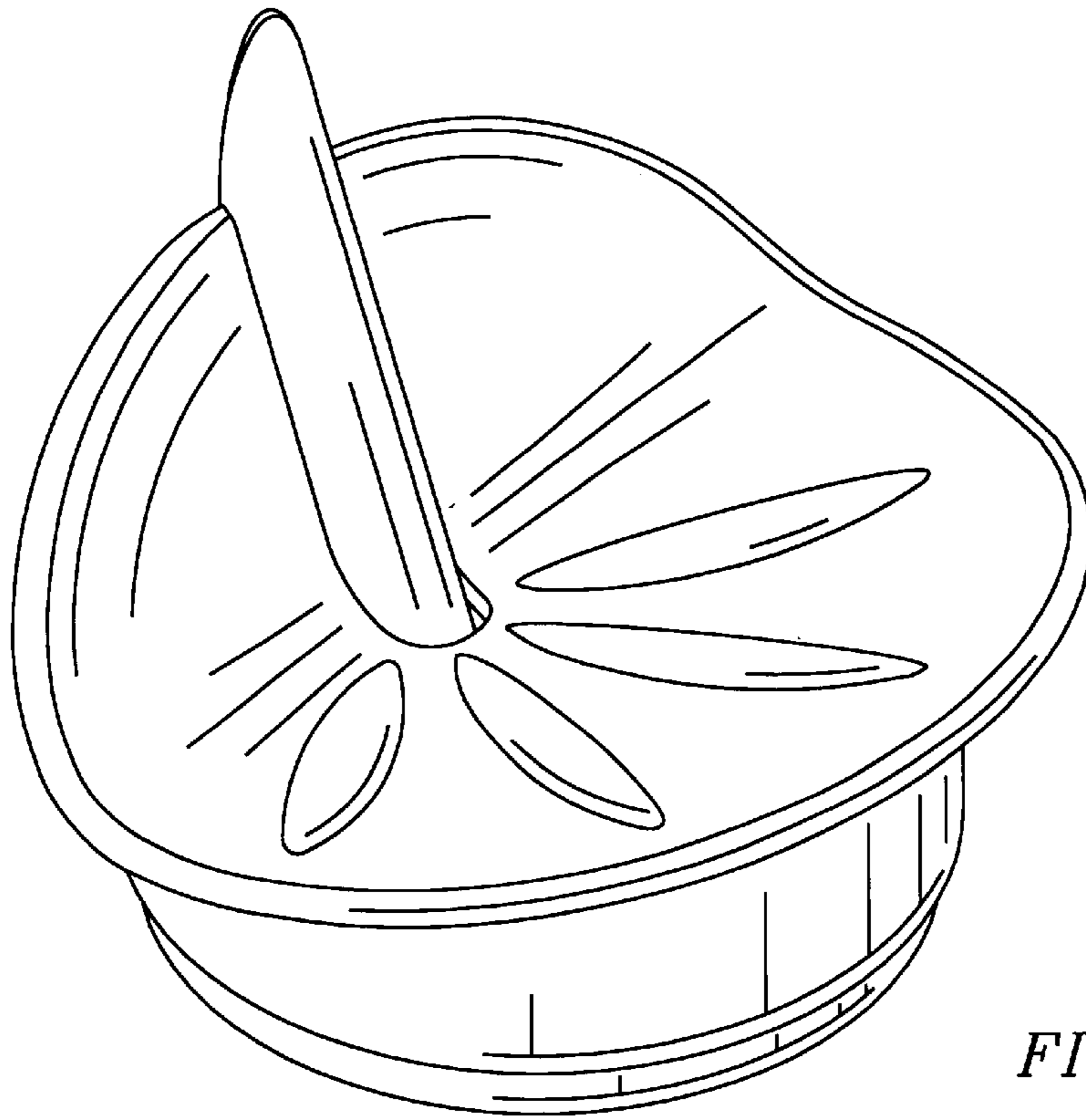


FIG. 1

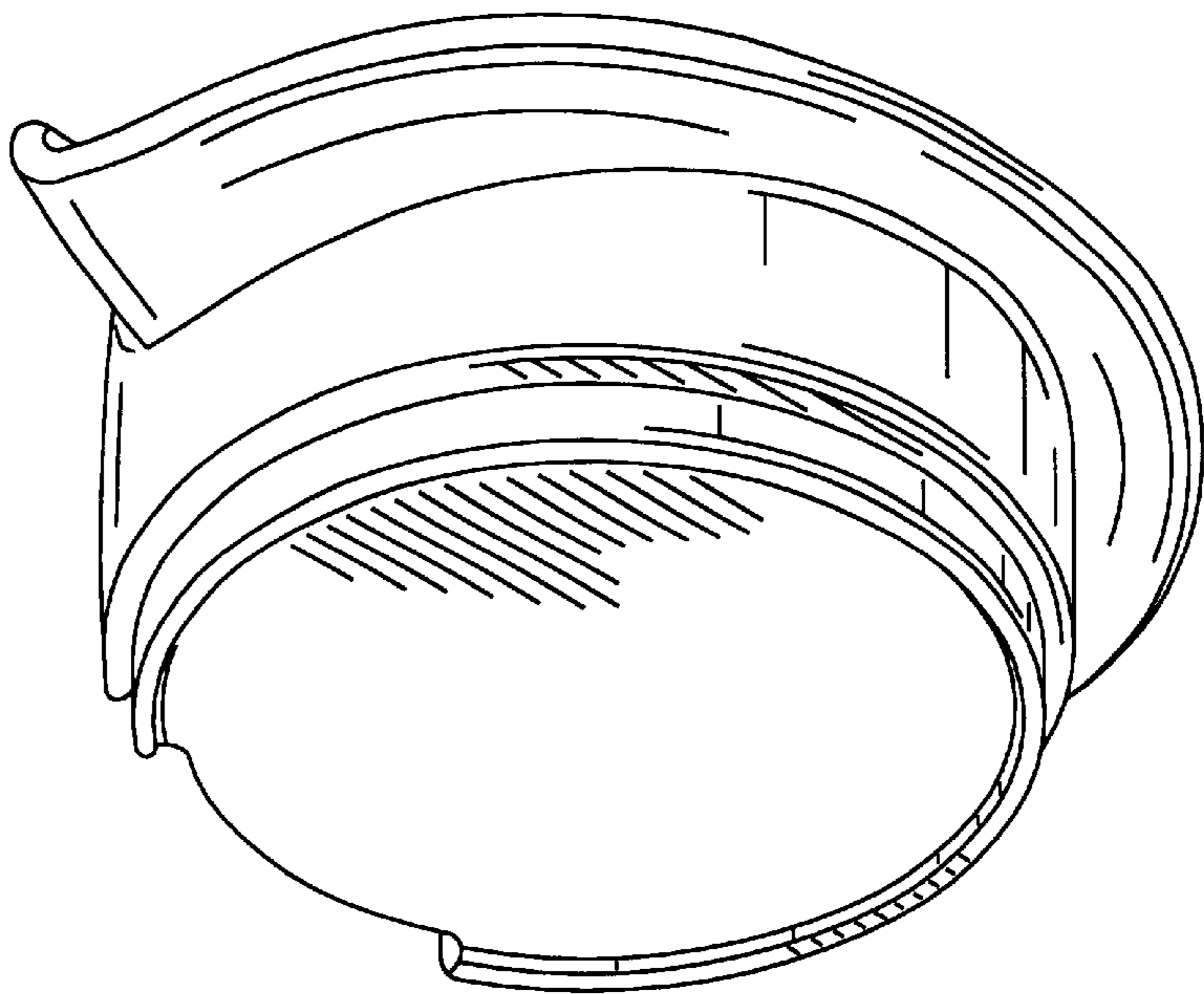


FIG. 2

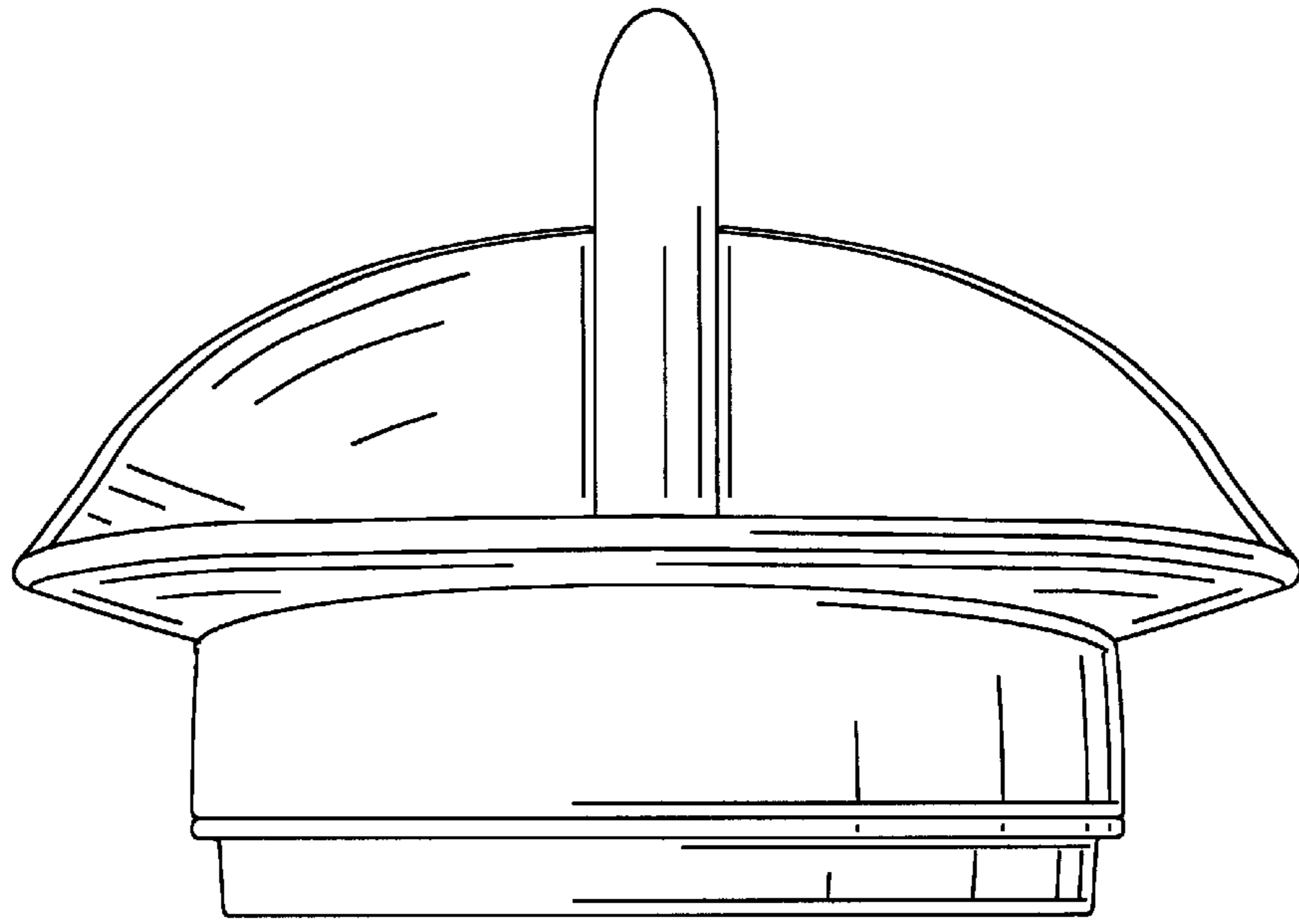


FIG. 3

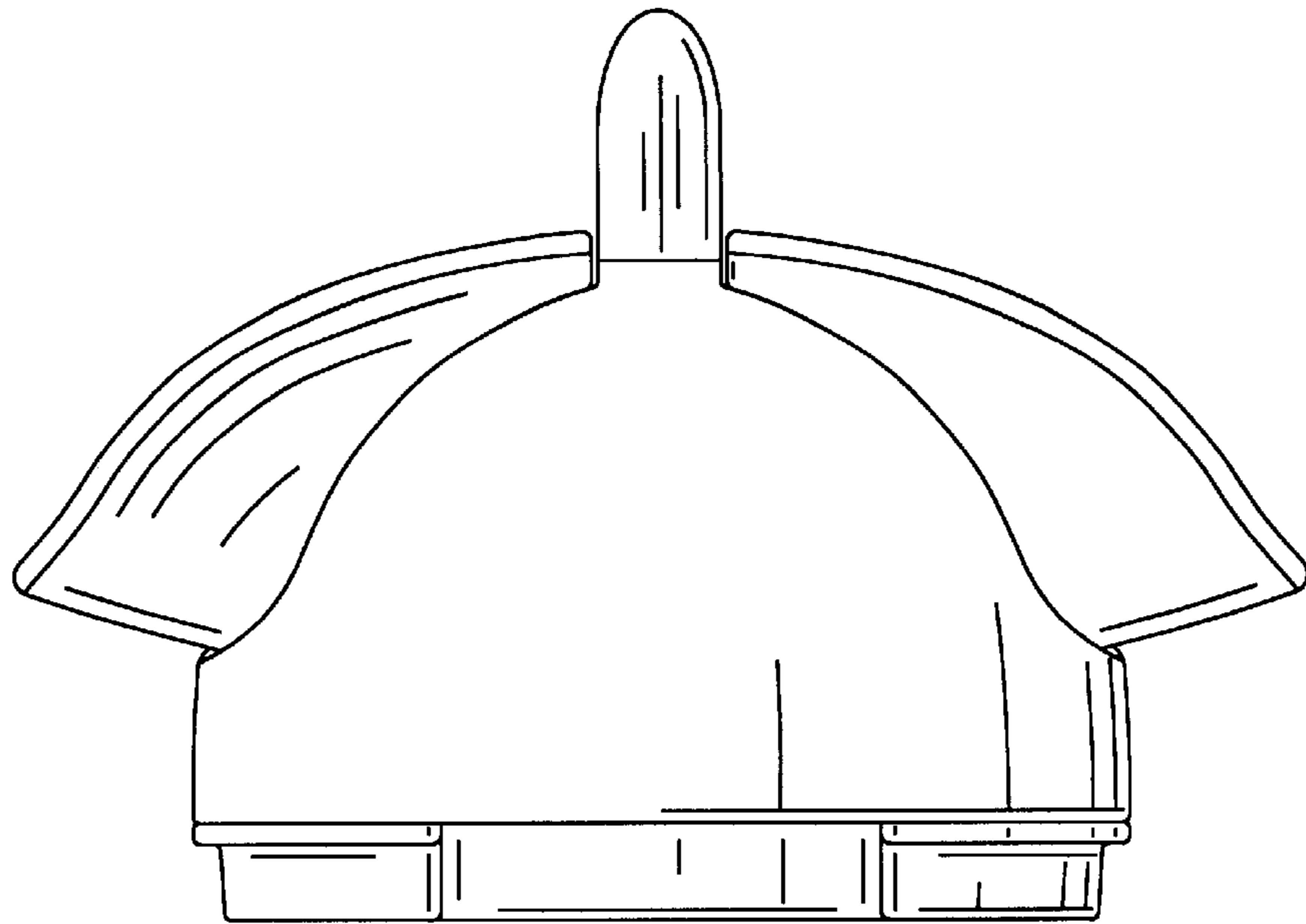


FIG. 4

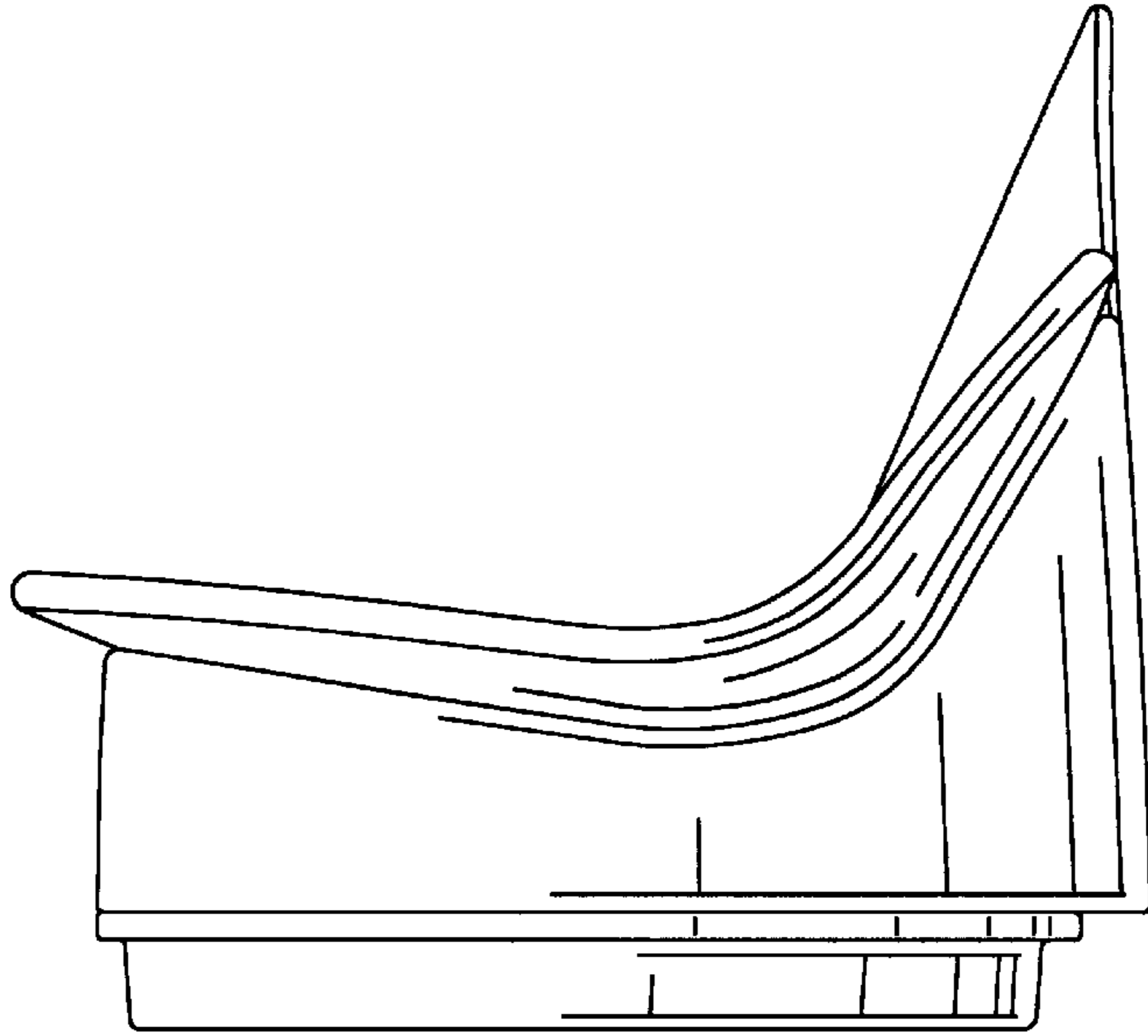


FIG. 5

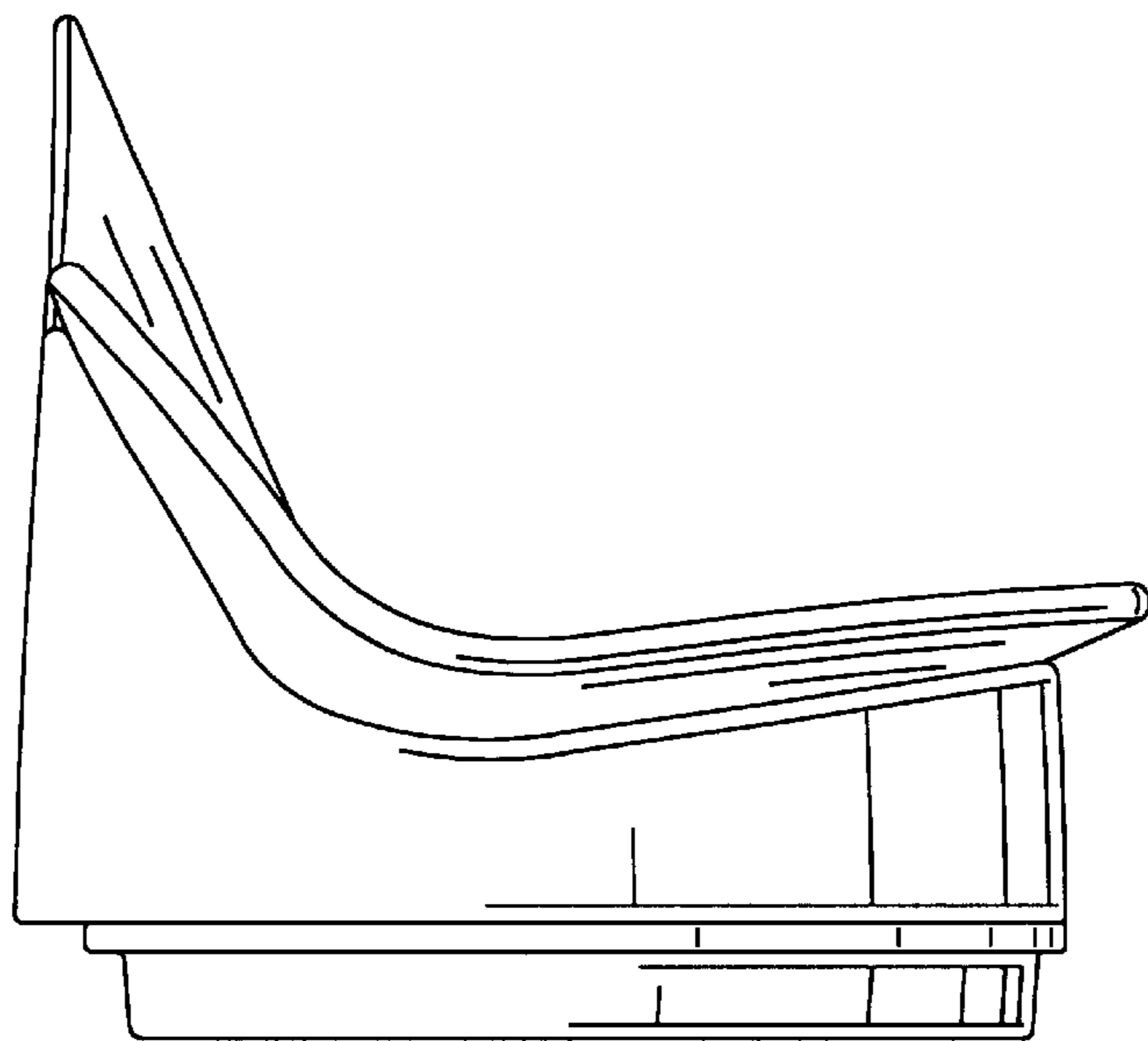


FIG. 6

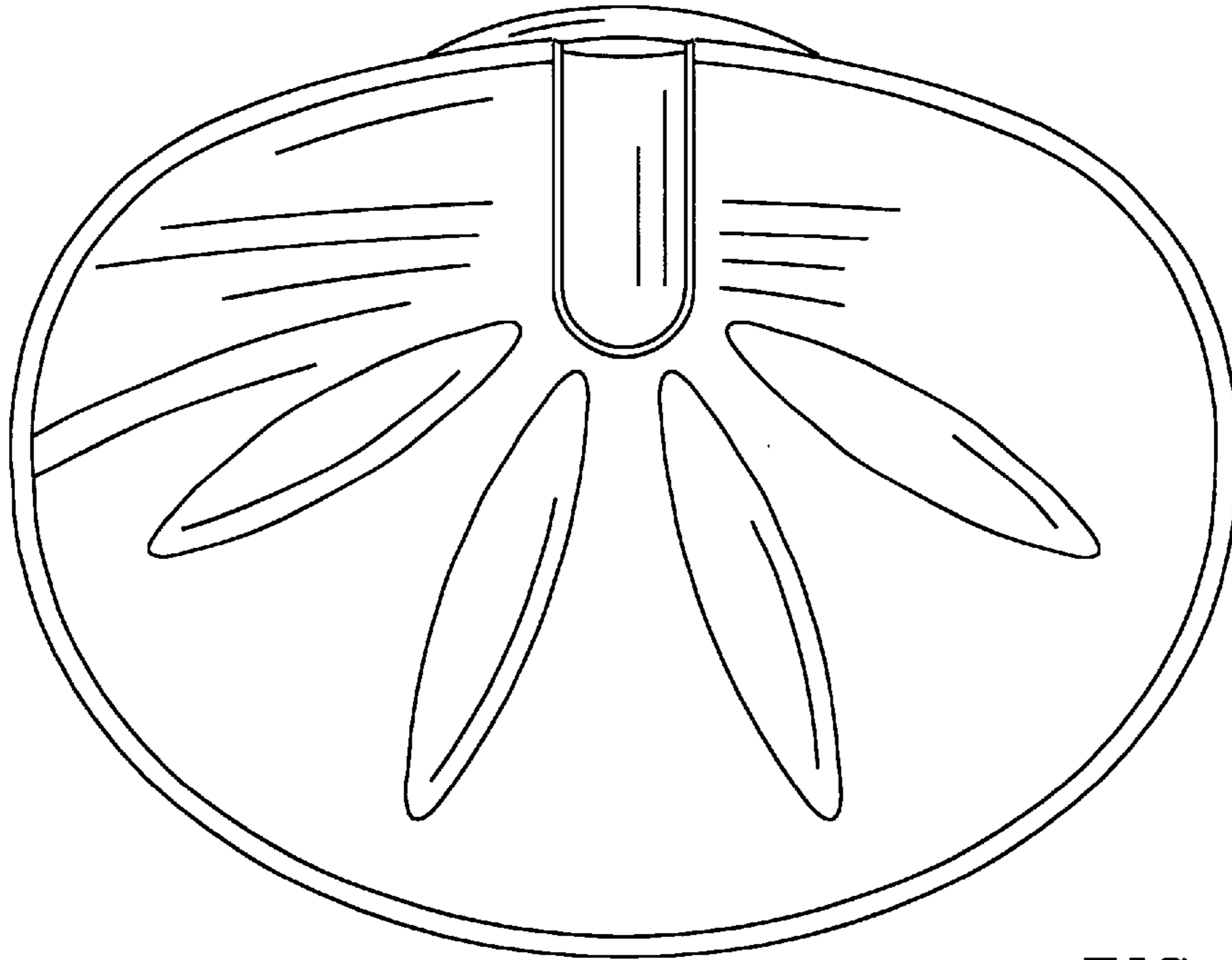


FIG. 7

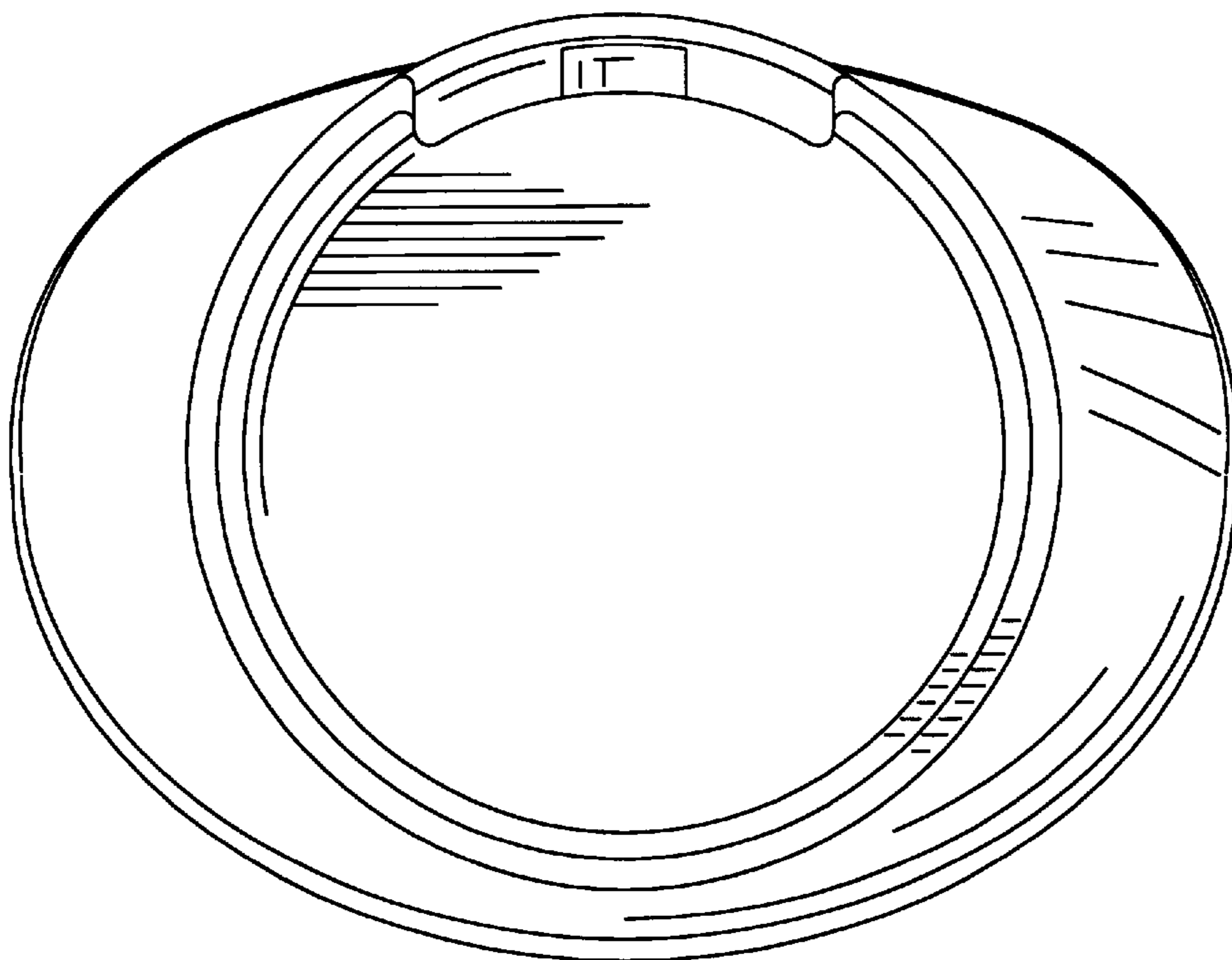


FIG. 8