



US00D441995S

(12) **United States Design Patent**  
**Moore**

(10) **Patent No.:** **US D441,995 S**

(45) **Date of Patent:** **\*\* May 15, 2001**

(54) **TISSUE HOLDER**

(75) **Inventor:** **Glenn David Moore**, Newfoundland,  
NJ (US)

(73) **Assignee:** **Melard Manufacturing Corp.**, Passaic,  
NJ (US)

(\*\*) **Term:** **14 Years**

(21) **Appl. No.:** **29/122,643**

(22) **Filed:** **May 2, 2000**

(51) **LOC (7) Cl.** ..... **23-02**

(52) **U.S. Cl.** ..... **D6/523**

(58) **Field of Search** ..... D6/518-523, 546-550,  
D6/524; 248/309.1, 315; 211/13.1, 16, 86.01,  
87.01, 88.04, 123; 242/570, 590, 595, 598

(56) **References Cited**

**U.S. PATENT DOCUMENTS**

D. 167,892 \* 10/1952 Hallward ..... D6/549  
D. 334,315 \* 3/1993 Bengtson ..... D6/524

D. 361,006 \* 8/1995 Sharpe ..... D6/524  
D. 369,931 \* 5/1996 Shames et al. .... D6/524  
D. 377,570 \* 1/1997 Sharpe ..... D6/524  
D. 394,970 \* 6/1998 Ho ..... D6/549

\* cited by examiner

*Primary Examiner*—Brian N. Vinson

(74) *Attorney, Agent, or Firm*—Edgar A. Zarins; Lloyd D.  
Doigan

(57) **CLAIM**

The ornamental design for a tissue holder, as shown and  
described.

**DESCRIPTION**

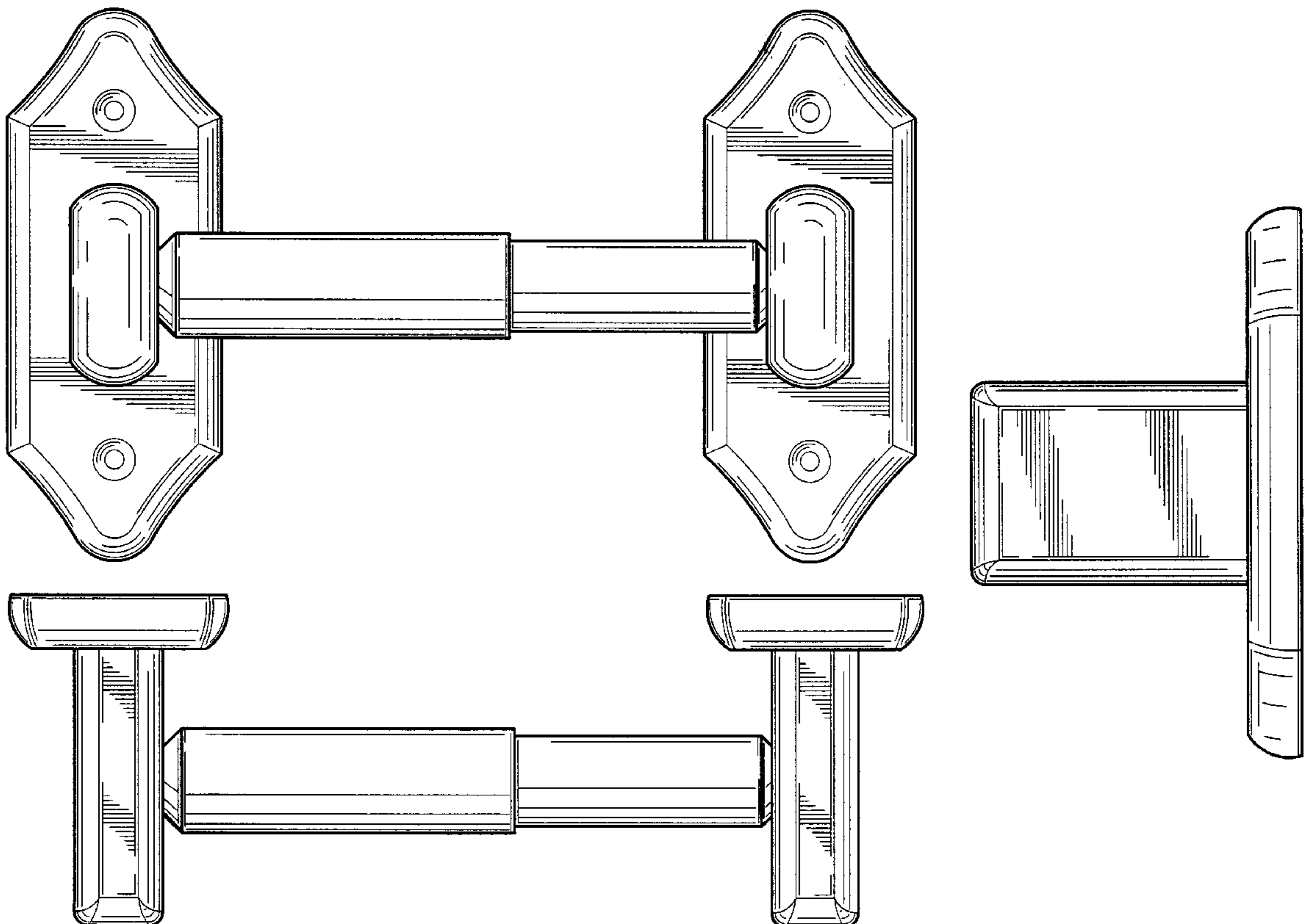
FIG. 1 is a front elevational view of a tissue holder showing  
my new design;

FIG. 2 is a top plan view thereof;

FIG. 3 is a left side view thereof, the opposite side being a  
mirror image of the side shown; and,

FIG. 4 is a rear elevational view thereof.

**1 Claim, 2 Drawing Sheets**



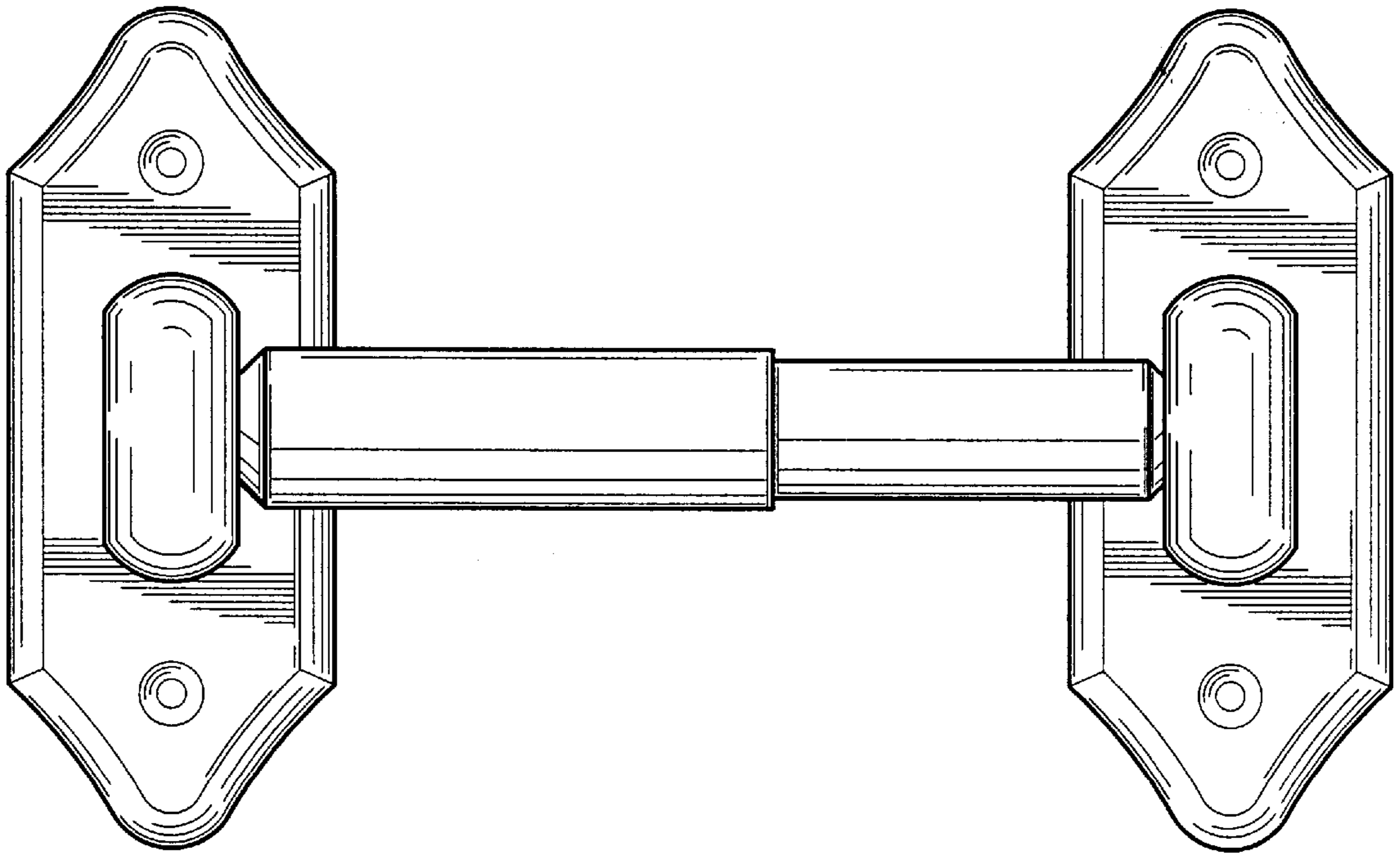


Figure - 1

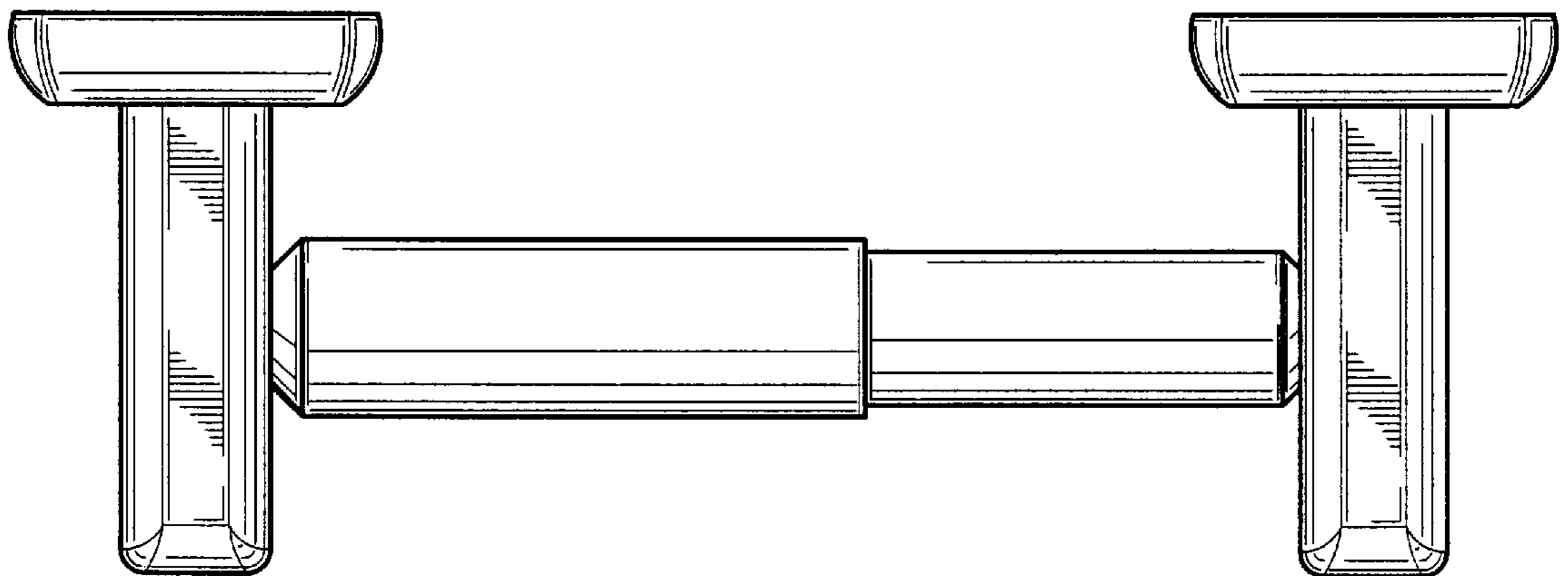


Figure - 2

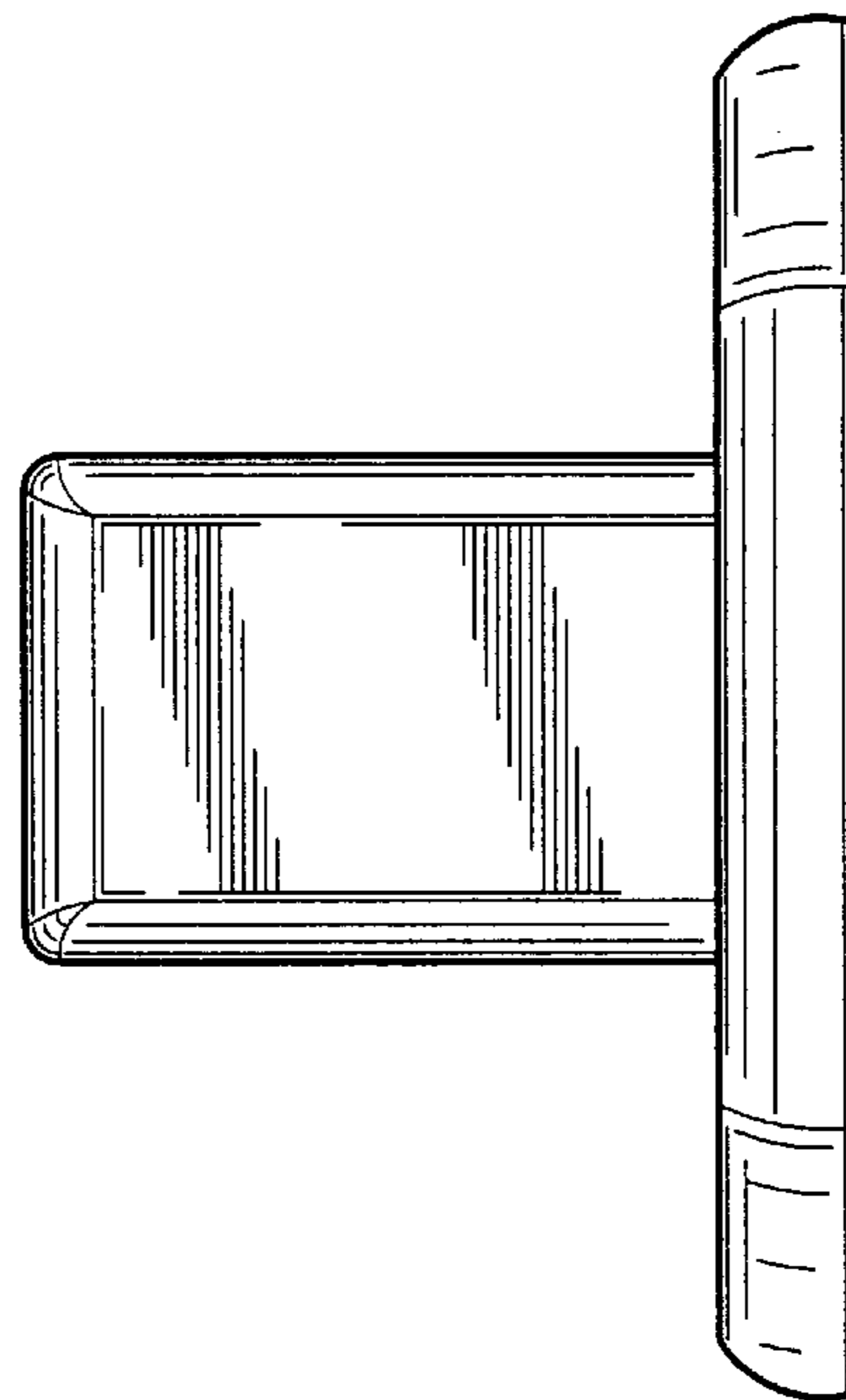


Figure - 3

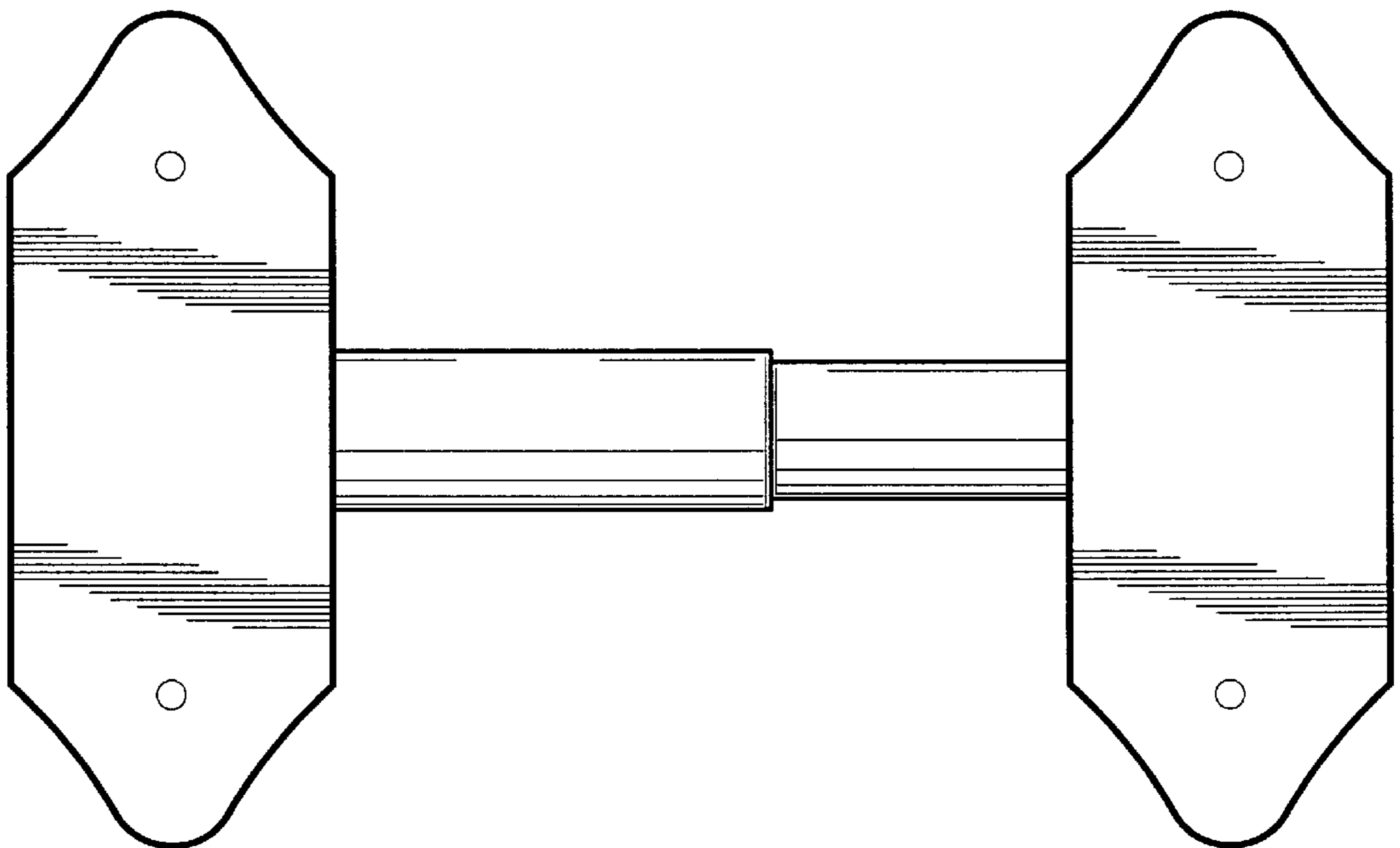


Figure - 4