



US00D441993S

(12) **United States Design Patent**
Lin

(10) **Patent No.:** **US D441,993 S**

(45) **Date of Patent:** **** May 15, 2001**

(54) **CHAIR CUSHION**

(76) Inventor: **Kuan-Jen Lin**, 784, Chiao-I Street,
Ding-Chuang, Jia-Yi (TW)

(**) Term: **14 Years**

(21) Appl. No.: **29/111,083**

(22) Filed: **Sep. 20, 1999**

(30) **Foreign Application Priority Data**

Jul. 16, 1999 (TW) 88304741

(51) **LOC (7) Cl.** **06-06**

(52) **U.S. Cl.** **D6/500; D6/366**

(58) **Field of Search** D6/334, 335, 356,
D6/364, 365, 366, 367, 379, 500, 501,
502; 297/411.2, 411.27, 411.28

(56) **References Cited**

U.S. PATENT DOCUMENTS

- D. 207,259 * 3/1967 Barecki D6/356
- D. 369,489 * 5/1996 McDiarmid D6/502
- D. 383,021 * 9/1997 Lu D6/500

D. 403,169 * 12/1998 Tseng D6/366

D. 403,170 * 12/1998 Tseng D6/366

D. 403,185 * 12/1998 Tseng D6/501

D. 408,641 * 4/1999 Tseng D6/366

* cited by examiner

Primary Examiner—Gary D. Watson

(74) *Attorney, Agent, or Firm*—Alan Kamrath

(57) **CLAIM**

The ornamental design for a chair cushion, as shown and described.

DESCRIPTION

FIG. 1 is a perspective view of chair cushion showing my new design;

FIG. 2 is a front elevational view thereof;

FIG. 3 is a rear elevational view thereof;

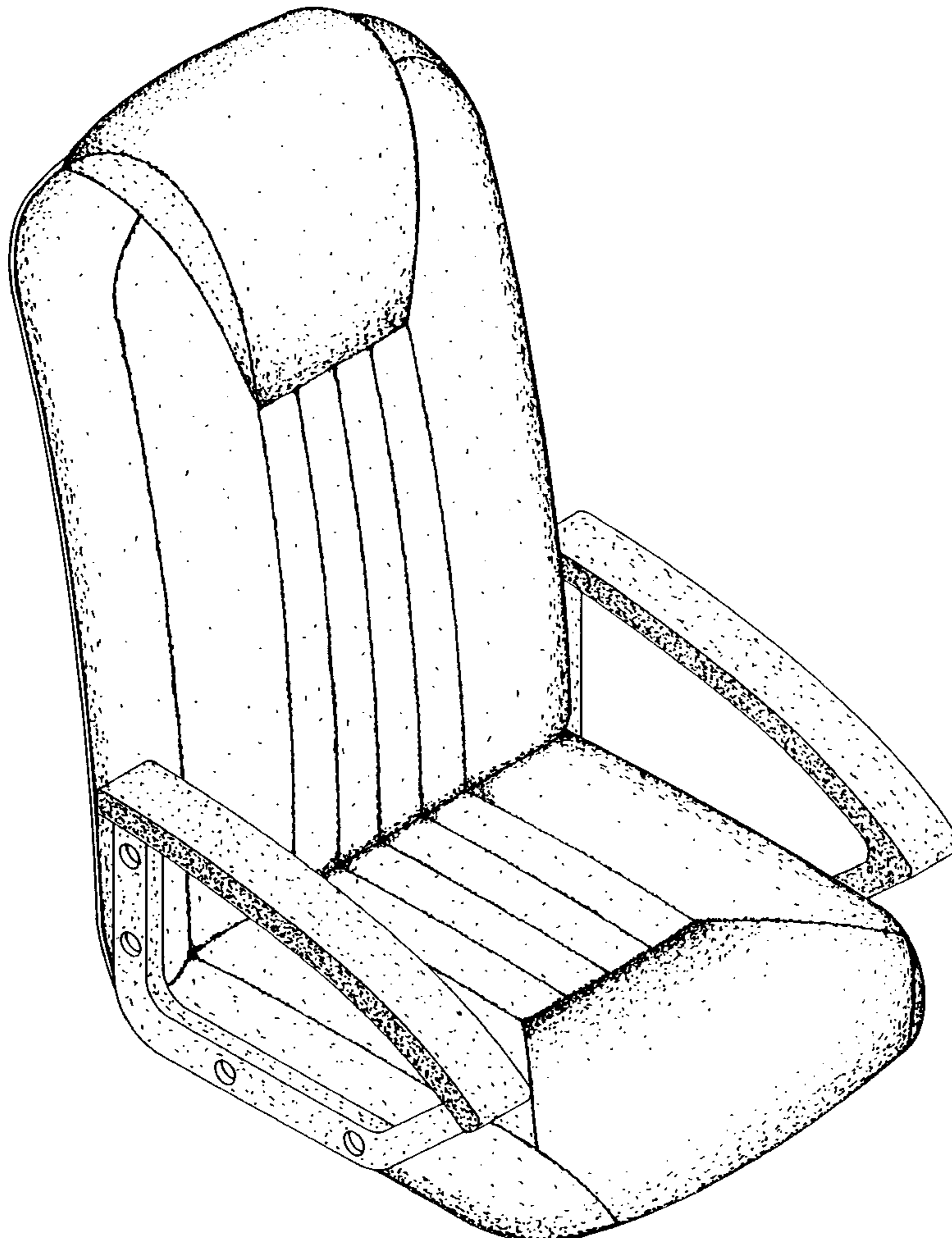
FIG. 4 is a left side elevational view thereof;

FIG. 5 is a right side elevational view thereof; and,

FIG. 6 is a top plan view thereof.

FIGS. 2 through 6 have been shown on an enlarged scale with respect to FIG. 1.

1 Claim, 6 Drawing Sheets



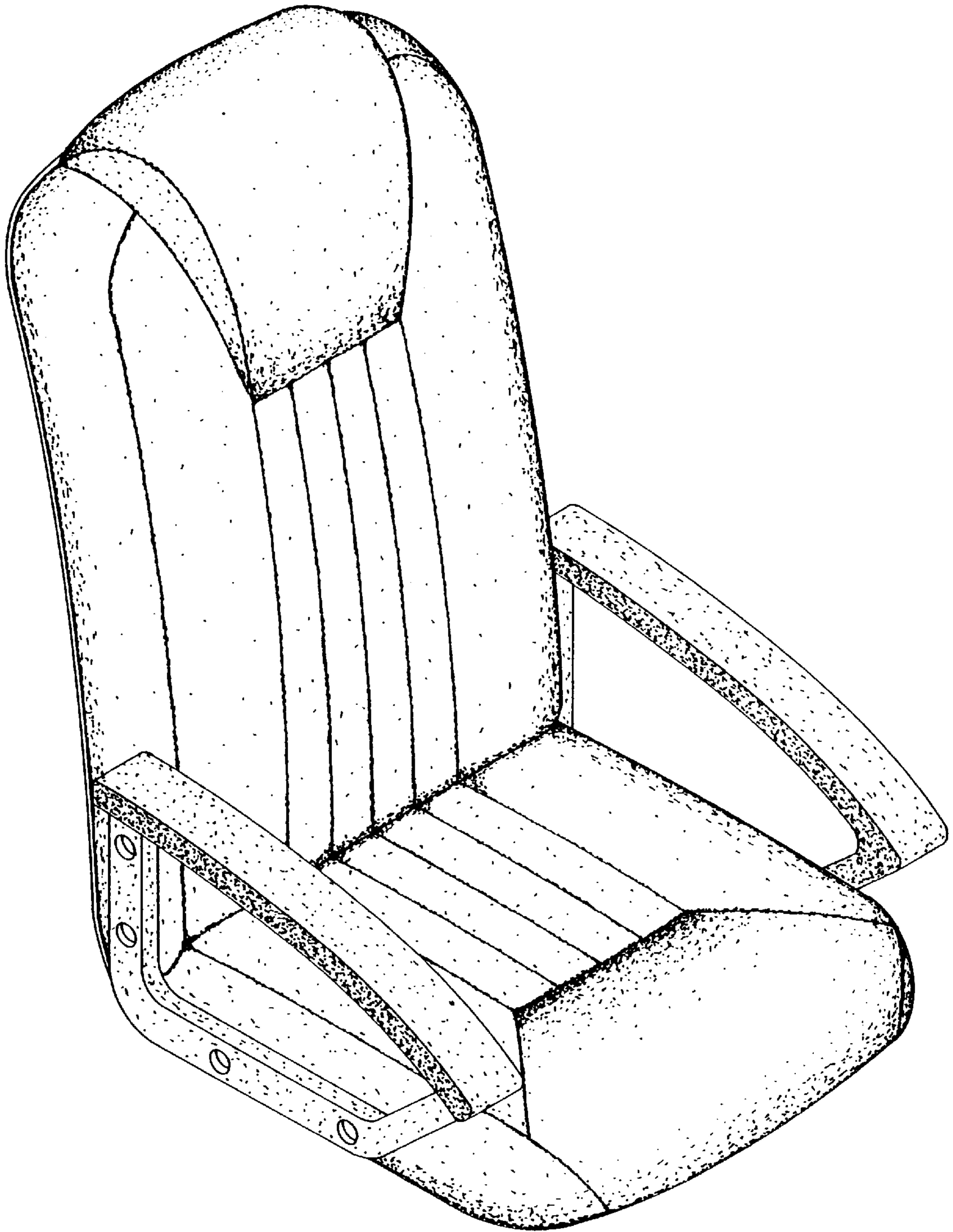


FIG. 1

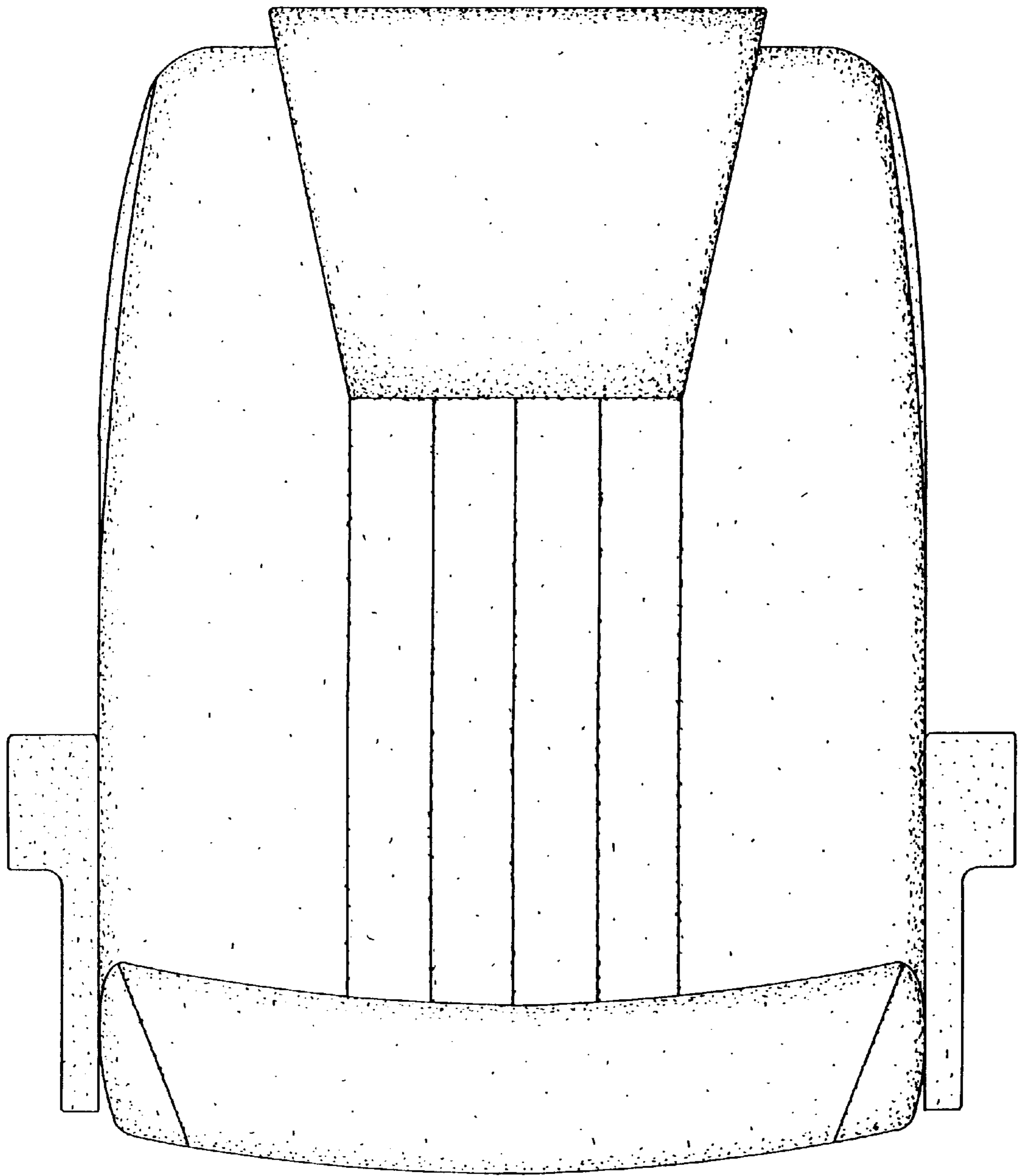


FIG. 2

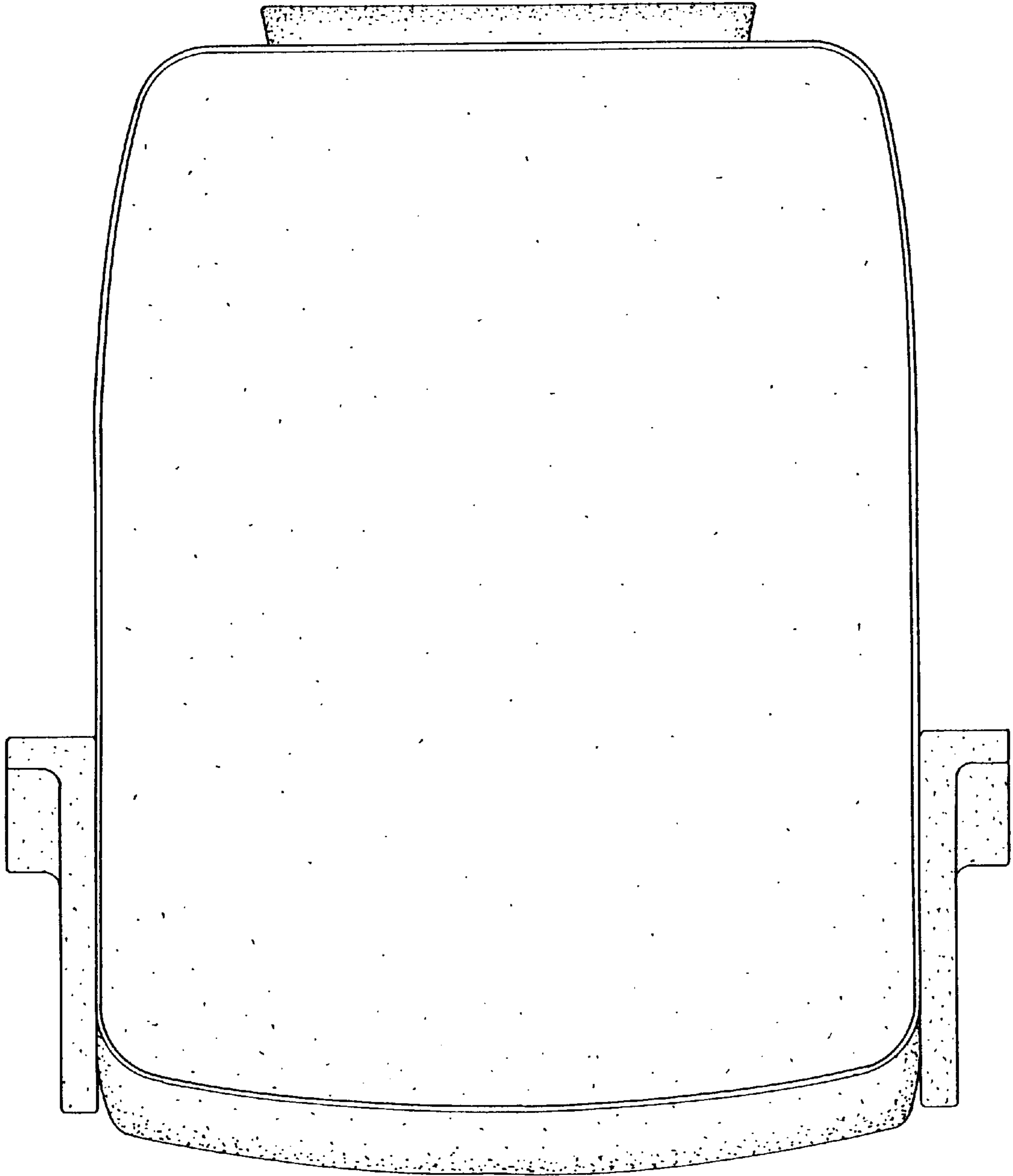


FIG. 3

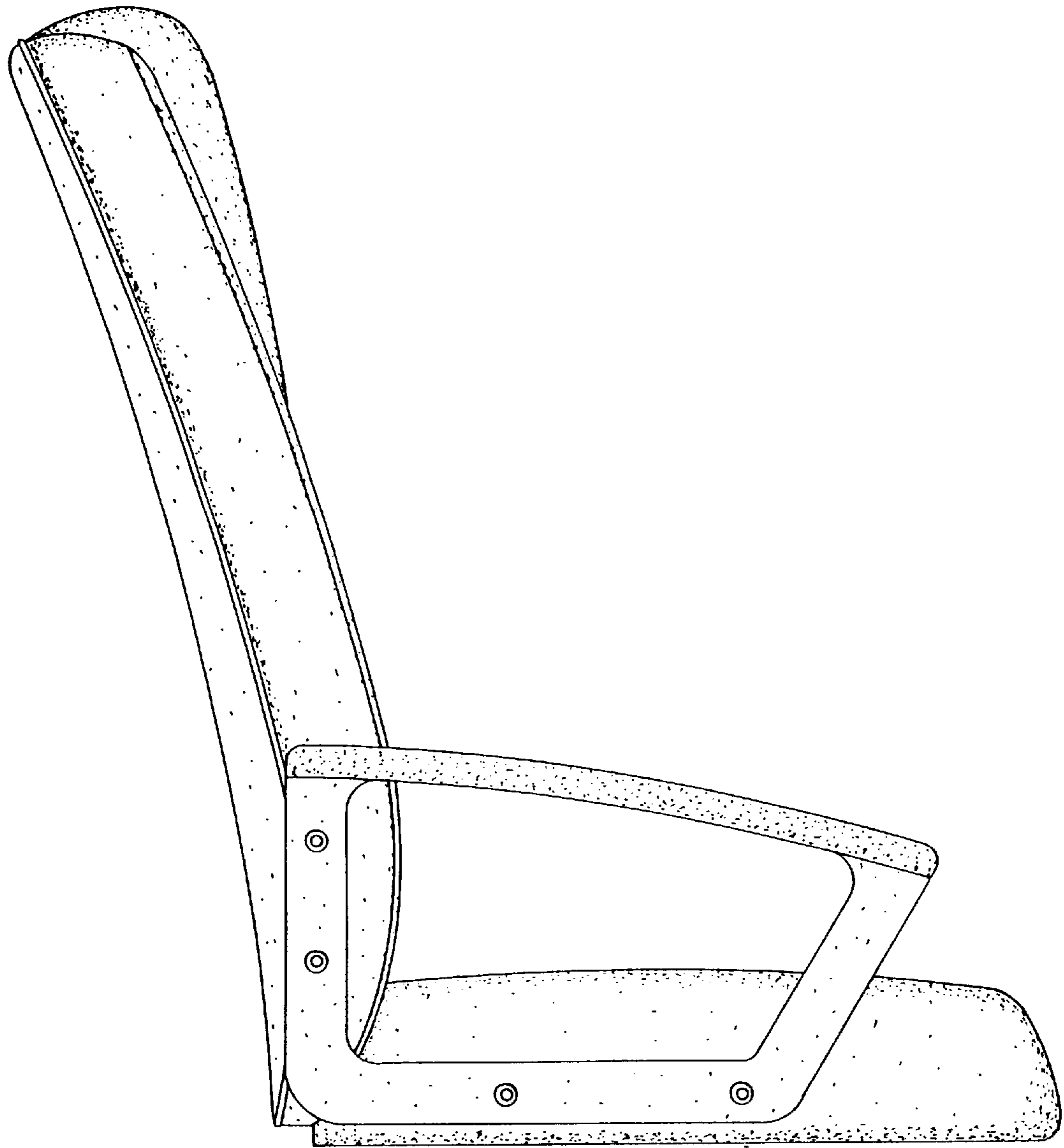


FIG. 4

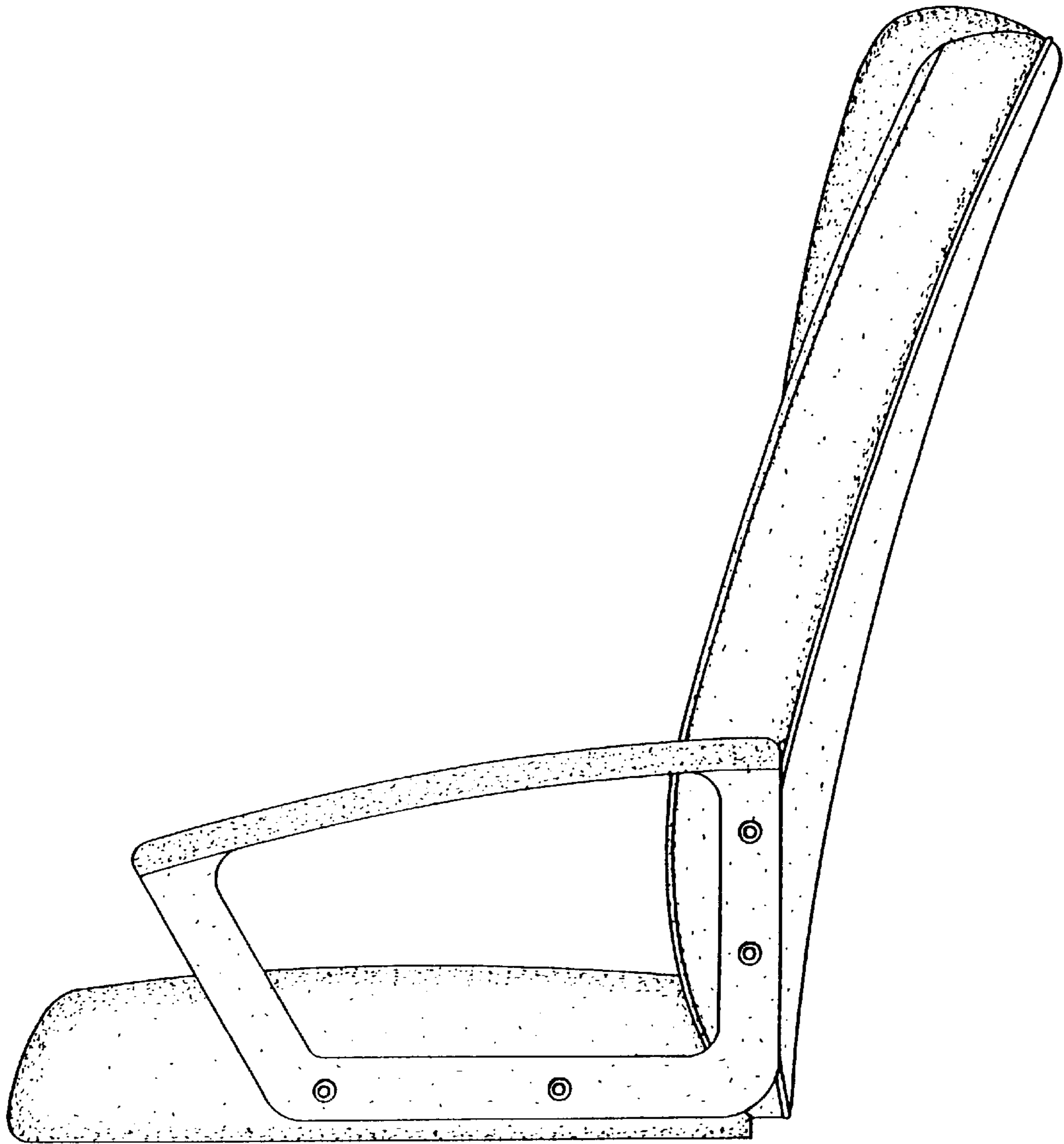


FIG. 5

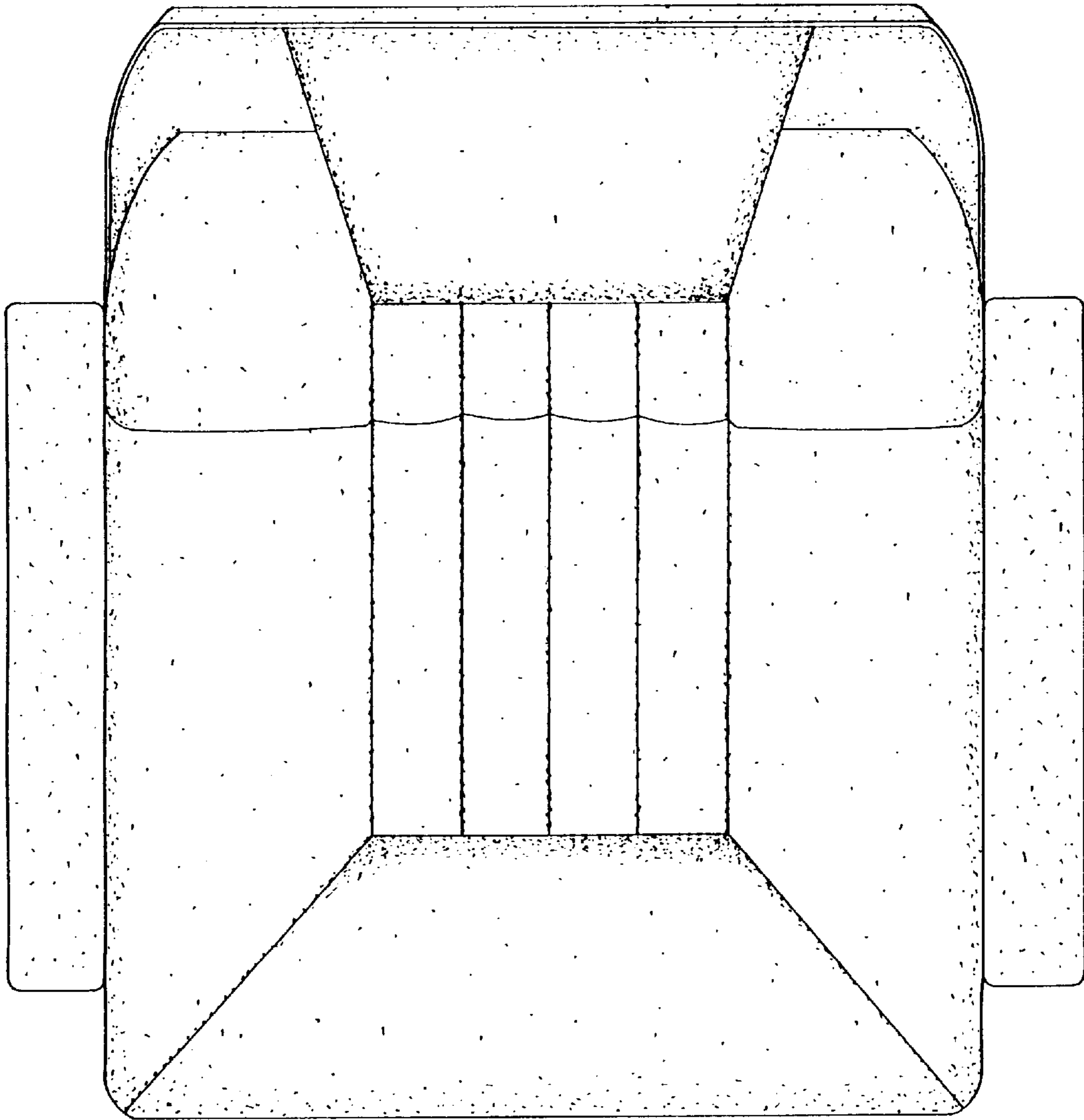


FIG.6