



US00D441992S

(12) **United States Design Patent**  
**Noll**

(10) **Patent No.:** **US D441,992 S**

(45) **Date of Patent:** **\*\* May 15, 2001**

(54) **TABLE LEG STRUCTURE**

(76) Inventor: **Ronald C. Noll**, 25 Fairway Trail,  
Moreland Hills, OH (US) 44022

(\*\*) Term: **14 Years**

(21) Appl. No.: **29/122,486**

(22) Filed: **Apr. 26, 2000**

(51) **LOC (7) Cl.** ..... **06-06**

(52) **U.S. Cl.** ..... **D6/495; D6/499**

(58) **Field of Search** ..... D6/480-489, 495,  
D6/497, 499, 429; 108/153.1, 155, 156,  
157.1, 161; 248/188, 188.1, 188.7, 188.8

(56) **References Cited**

**U.S. PATENT DOCUMENTS**

- D. 200,713 \* 3/1965 Pearsall ..... D6/495
- D. 258,104 \* 2/1981 Baker ..... D6/488
- D. 265,364 \* 7/1982 Walker ..... D6/495

\* cited by examiner

*Primary Examiner*—Janice E. Seeger

(74) *Attorney, Agent, or Firm*—Pearne & Gordon LLP

(57) **CLAIM**

The ornamental design for a table leg structure, as shown and described.

**DESCRIPTION**

FIG. 1 is a perspective view of a table leg structure, showing my new design;

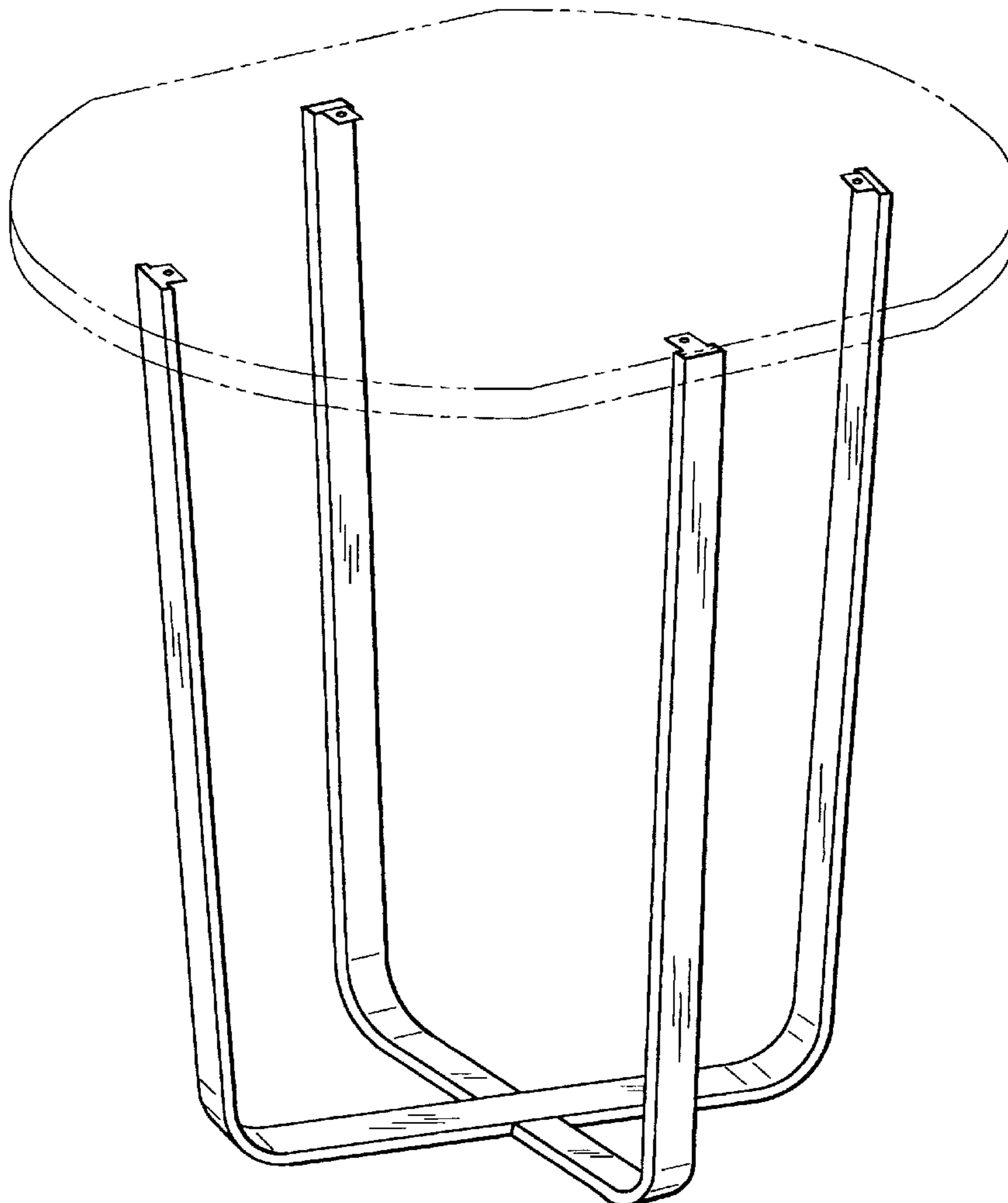
FIG. 2 is a top view thereof;

FIG. 3 is a right side elevational view thereof, the left side elevational view, the front elevational view and the back elevational view all being identical; and,

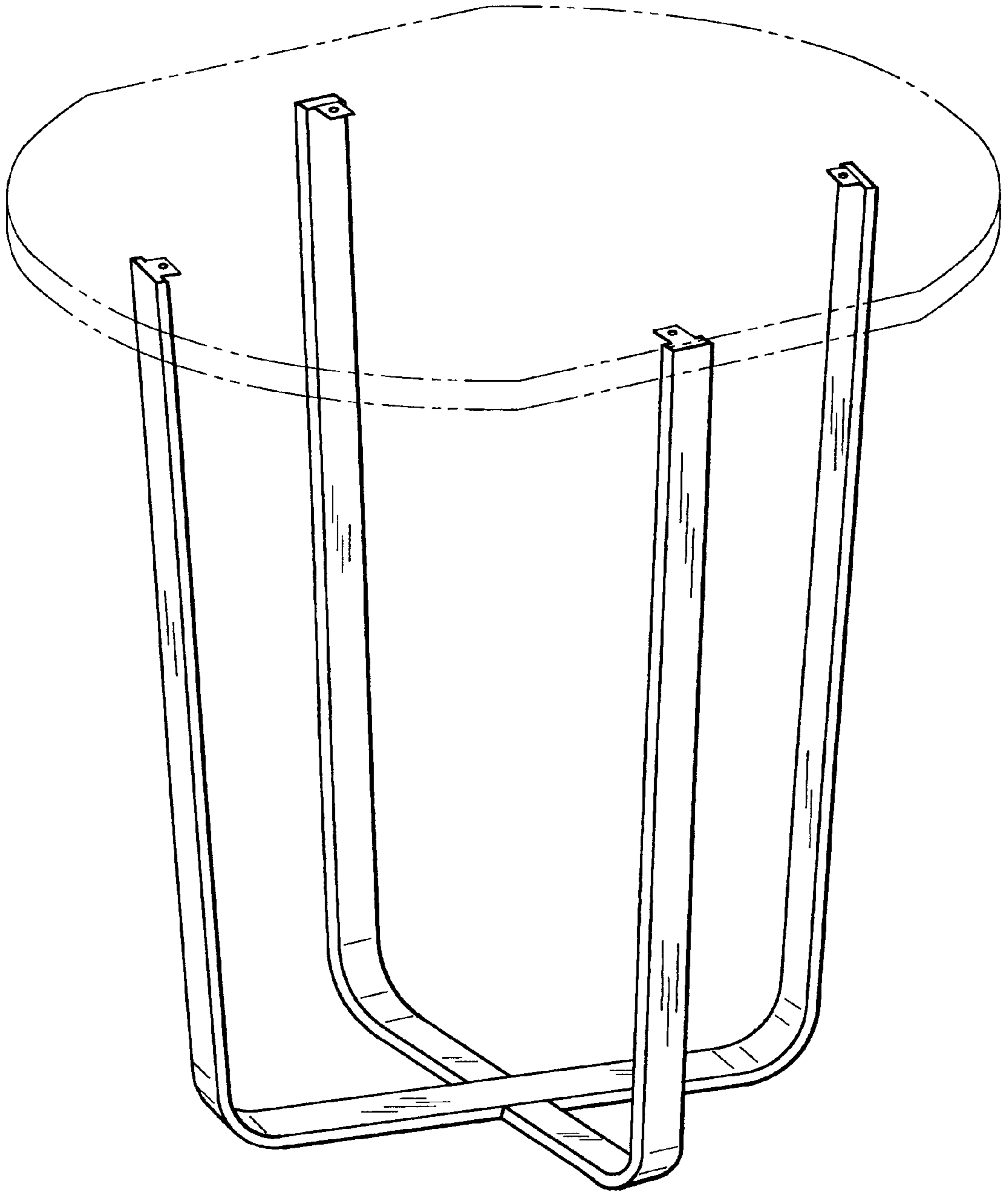
FIG. 4 is a bottom view thereof.

The broken lines are for environmental purposes only and form no part of the claimed design.

**1 Claim, 3 Drawing Sheets**



**FIG. 1**



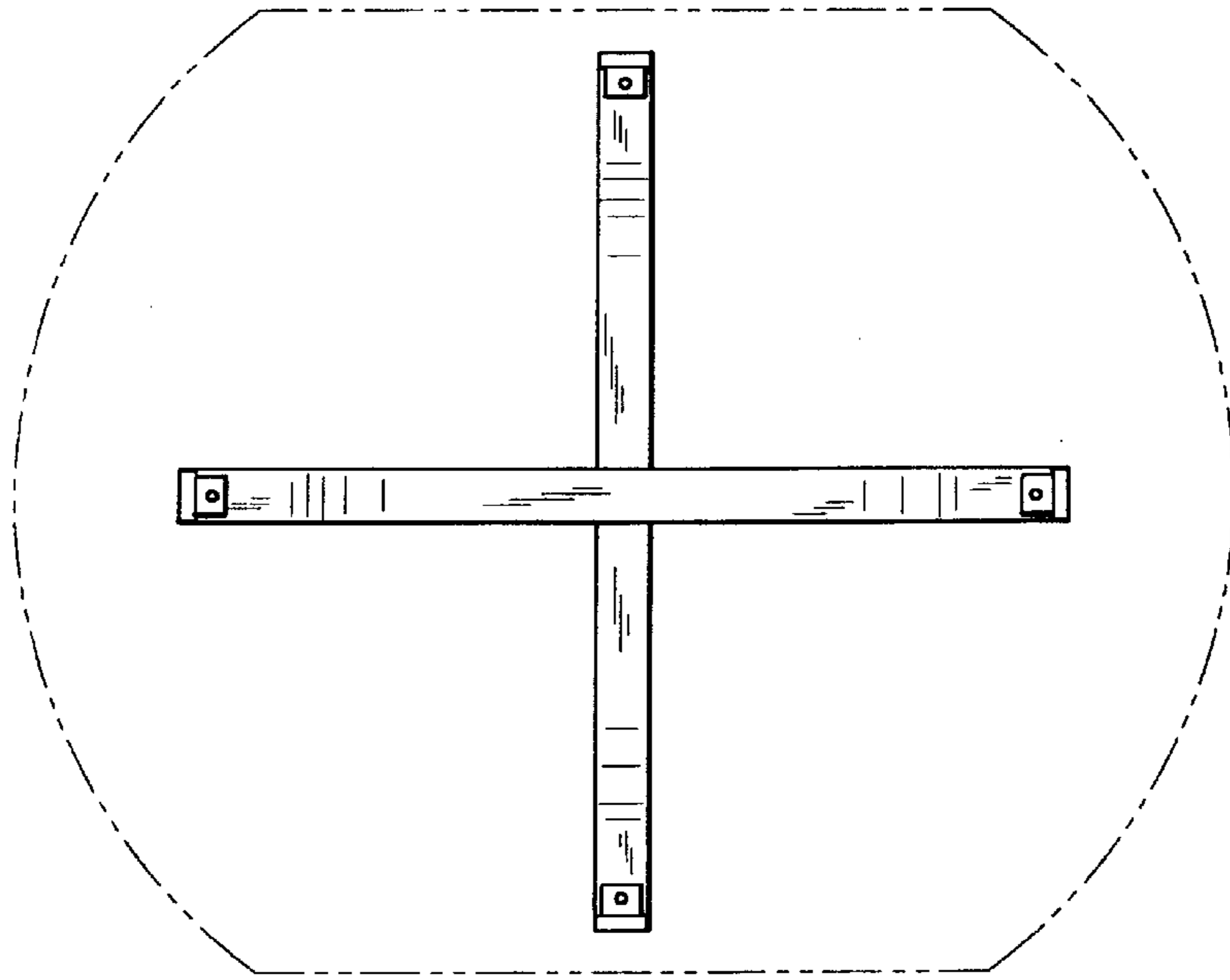


FIG. 2

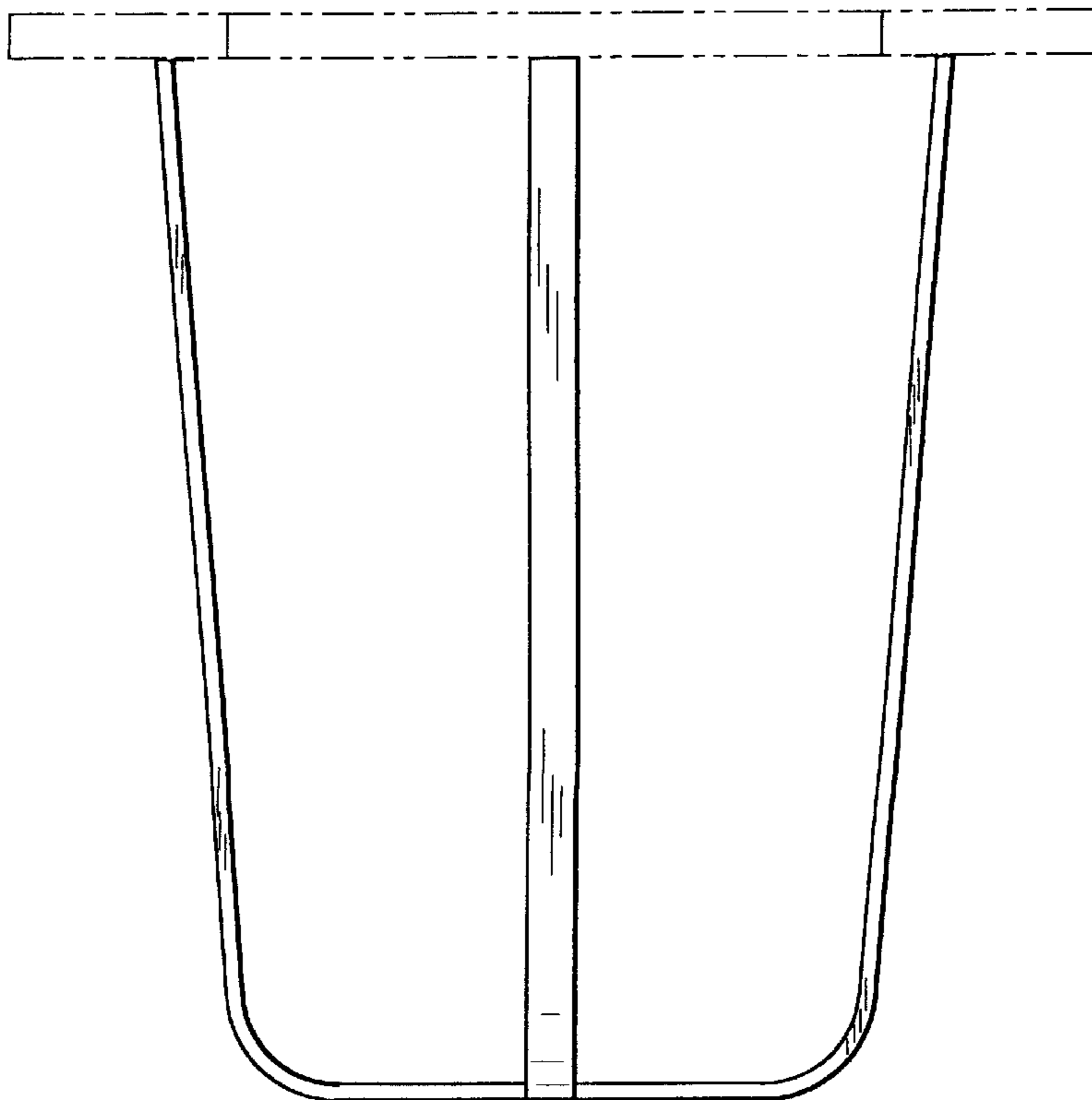


FIG. 3

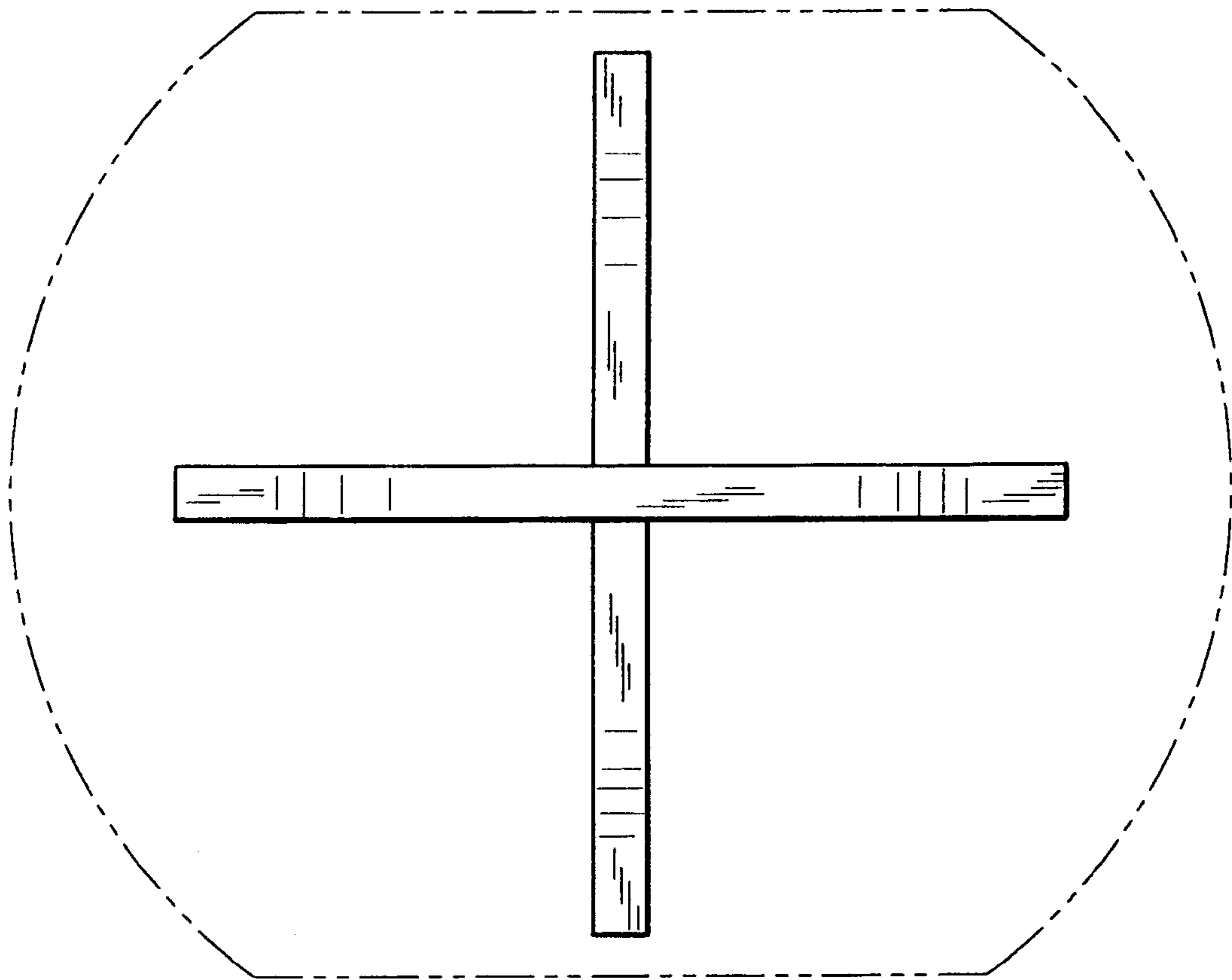


FIG. 4